

ELF-700P(3X) series trucks
Catalogue of commercial parts (I)

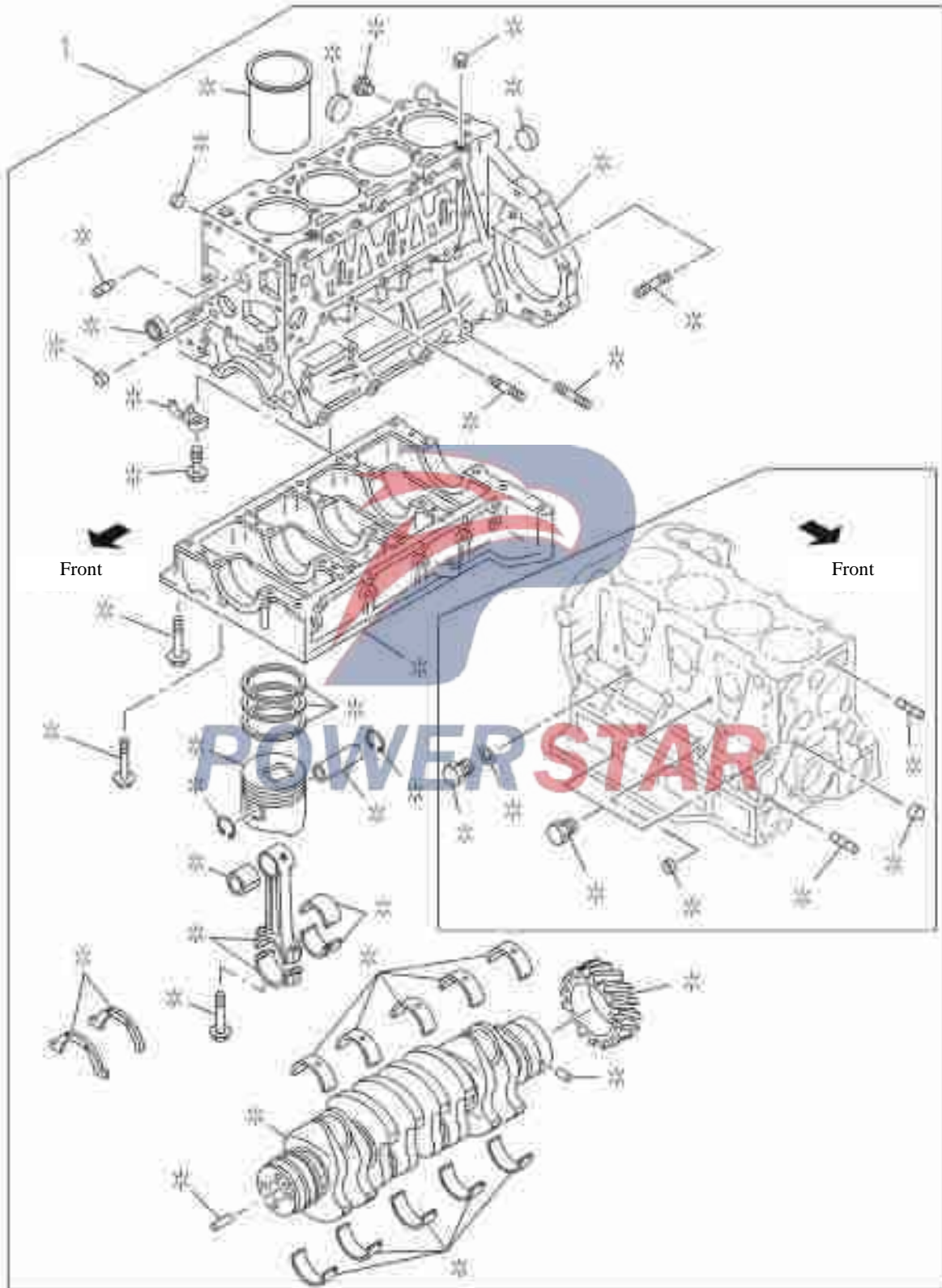


POWERSTAR

0-01

Middle cylinder of the engine

Figure No.

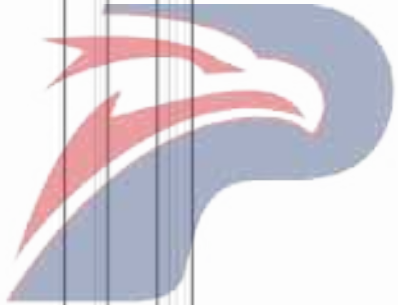


Middle cylinder of the engine

0-01

Figure No.

N/S	Recommended specification / name of part				Applicable models / applicable status / notes
	Isuzu figure No.	QingLing figure No.	Left/Right	Qty.	
					4081-TCS Engine
1	Middle cylinder assembly of engine				
	5-87310-925-0			01	A



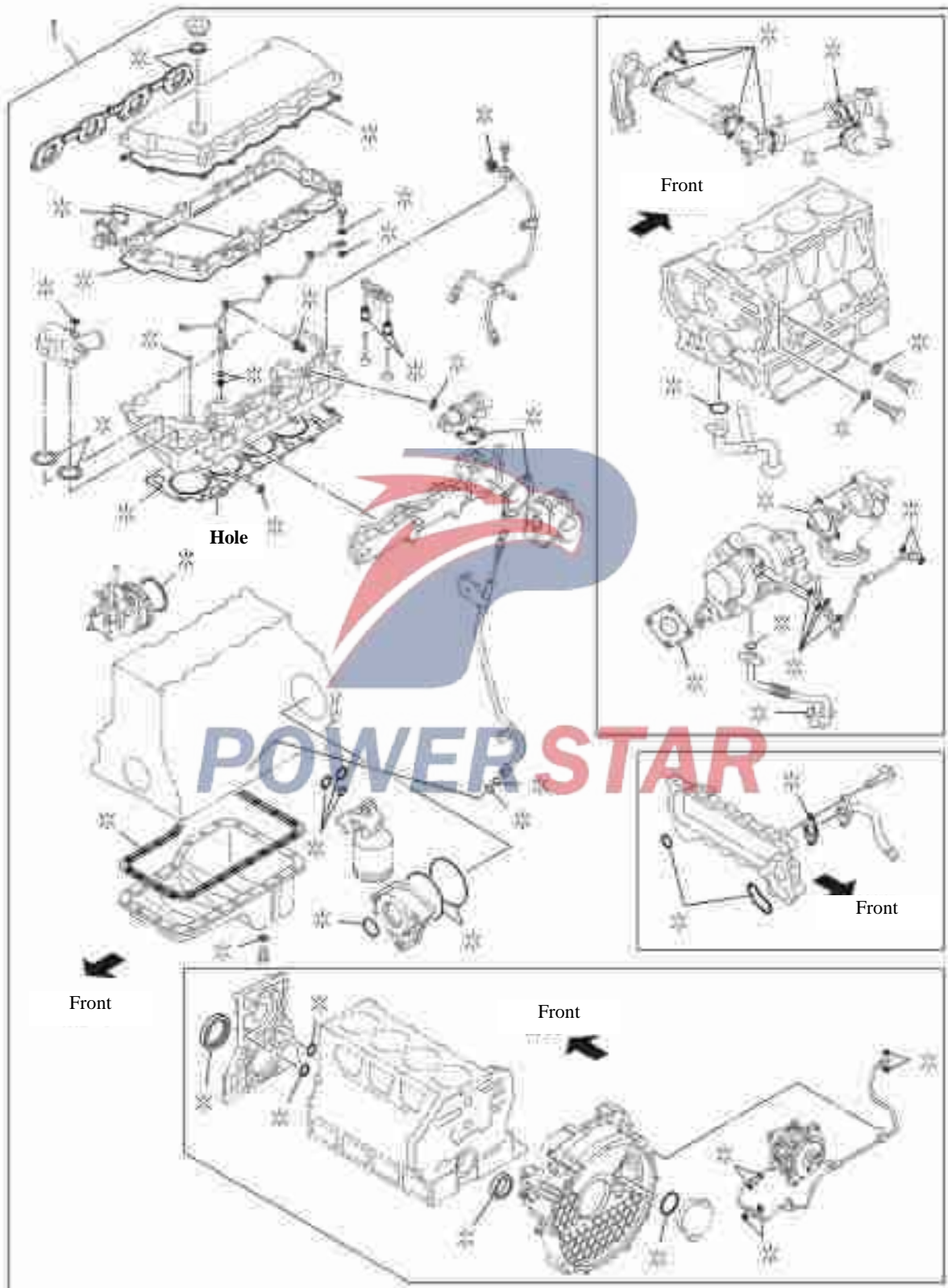
POWERSTAR

0-05

Engine repair kit

Figure No.

Major repair kit of engine

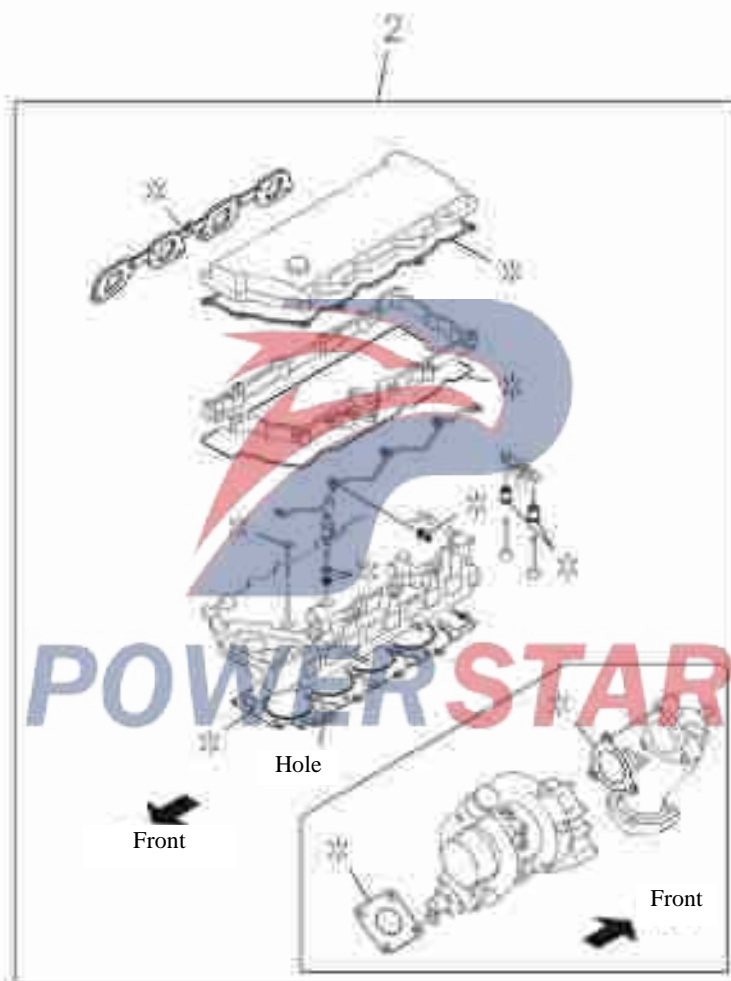


Engine repair kit

0-05

Major repair kit of engine cylinder cover

Figure No.



0-05

Engine repair kit

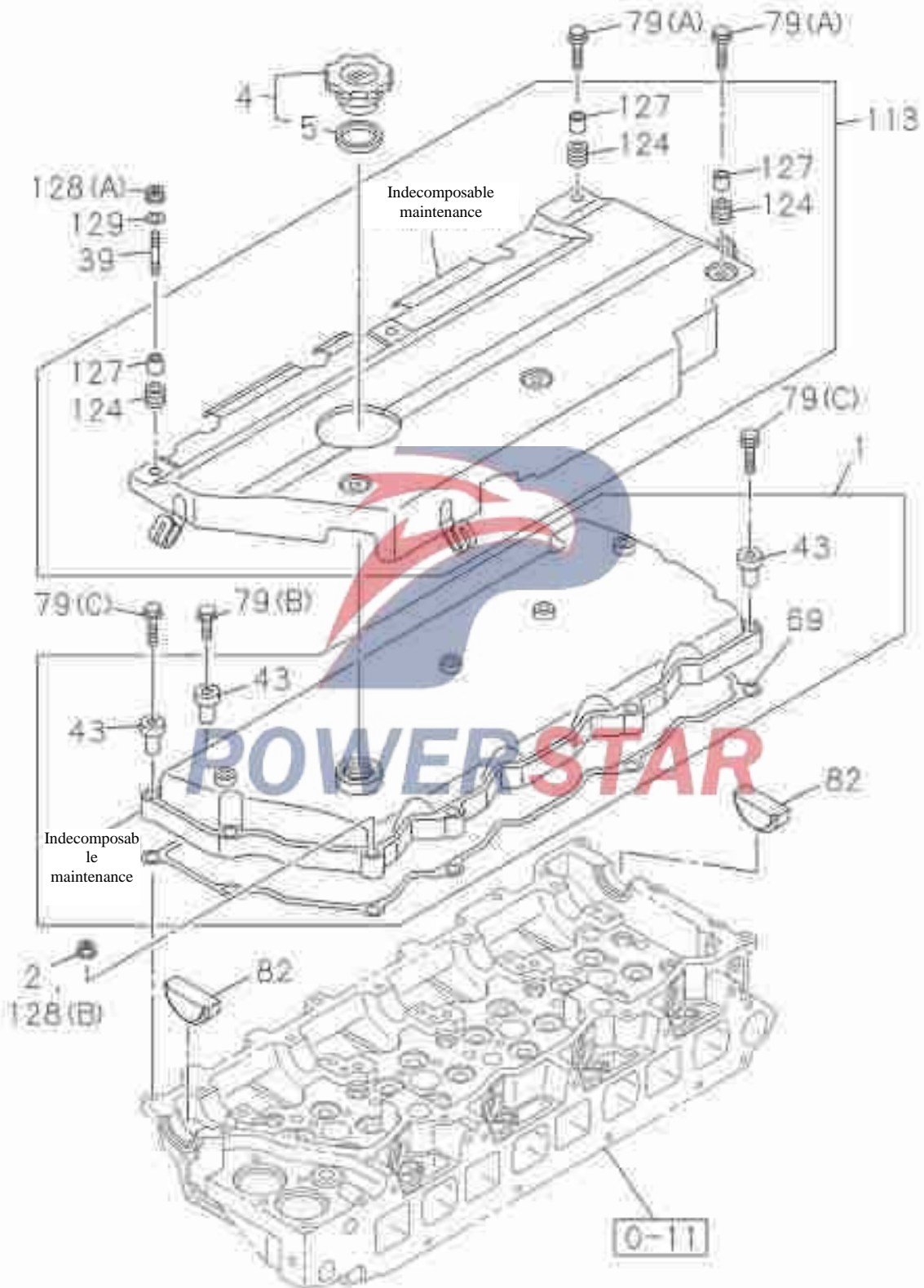
Figure No.

N/S	Recommended specification / name of part				Applicable models / applicable status / notes
	Isuzu figure No.	QingLing figure No.	Left/Right	Qty.	
					40K1-TCS Engine
1	Major repair kit of engine				
	5-87815-197-0			01	A Thickness = 1.475 no hole
	5-87815-198-0			01	A Thickness 1.5251 one hole
	5-87815-199-0			01	A Thickness 1.5251 two holes
2	Major repair kit of engine cylinder cover				
	5-87815-117-0			01	A Thickness = 1.475 no hole
	5-87815-118-0			01	A Thickness 1.5251 one hole
	5-87815-119-0			01	A Thickness 1.5251 two holes

Cylinder head cover

0-10

Figure No.



0-10

Cylinder head cover

Figure No.

N/S	Recommended specification / name of part				
	Isuzu figure No.	QingLing figure No.	Left/Right	Qty.	Applicable models / applicable status / notes
					4HK1-TCS Engine
1	Cylinder cover assembly				
	8-97331-361-2	1003110-P301		01	A
2	Hexagon flange nut				
	0-91180-108-0	Q32008		02	A
4	Oiling cap assembly				
	8-94133-207-5	1003340-54		01	A
5	Seal gasket-oiling cap				
	8-94123-623-1			01	A
	Including in the major repair kit of engine Inner diameter=32 Outer diameter=40				
39	Studs				
	0-41010-625-0			02	A
	M6*25 Length=34				
43	Rubber gasket				
	8-94395-684-0	1003121-P301		11	A
	Outer diameter = 22				
69	Sealing gasket				
	0-97331-359-1	1003131-P301		01	A
	Including in the major repair kit of engine				

Cylinder head cover

0-10

Figure No.

N/S	Recommended specification / name of part				
	Isuzu figure No.	QingLing figure No.	Left/Right	Qty.	Applicable models / applicable status / notes
					JH41-TCS Engine
79	----- Bolt-cylinder head				
	0-28650-835-0	Q1840835		02	A Hexagon flange bolt (B) M8×35
	1-09044-072-1			07	A Bolt (C) M8×65
	8-97127-607-0			04	A Bolt (A) M8×20
82	----- Blockage-cylinder head				
	8-94399-605-0			02	A
113	----- Acoustical enclosure assembly				
	8-97354-803-3	1003210-P301		01	A
124	----- Rubber gasket				
	8-97226-908-0	1003241-P301		06	A
127	----- Spacer				
	8-97092-314-0	1003221-P301		06	A

0-10

Cylinder head cover

Figure No.

N/S	Recommended specification / name of part				Applicable models / applicable status / notes
	Isuzu figure No.	QingLing figure No.	Left/Right	Qty.	
					40K1-TCS Engine
128	Hexagon flange nut-cylinder head cover				
	0-91180-106-0	Q32006	02	A	(A) M6
	0-91180-108-0	Q32008	02	A	(B) M8
129	Flat gasket-cylinder head cover				
	0-91610-706-0		02	A	Inner diameter=6.4 Outer diameter=18

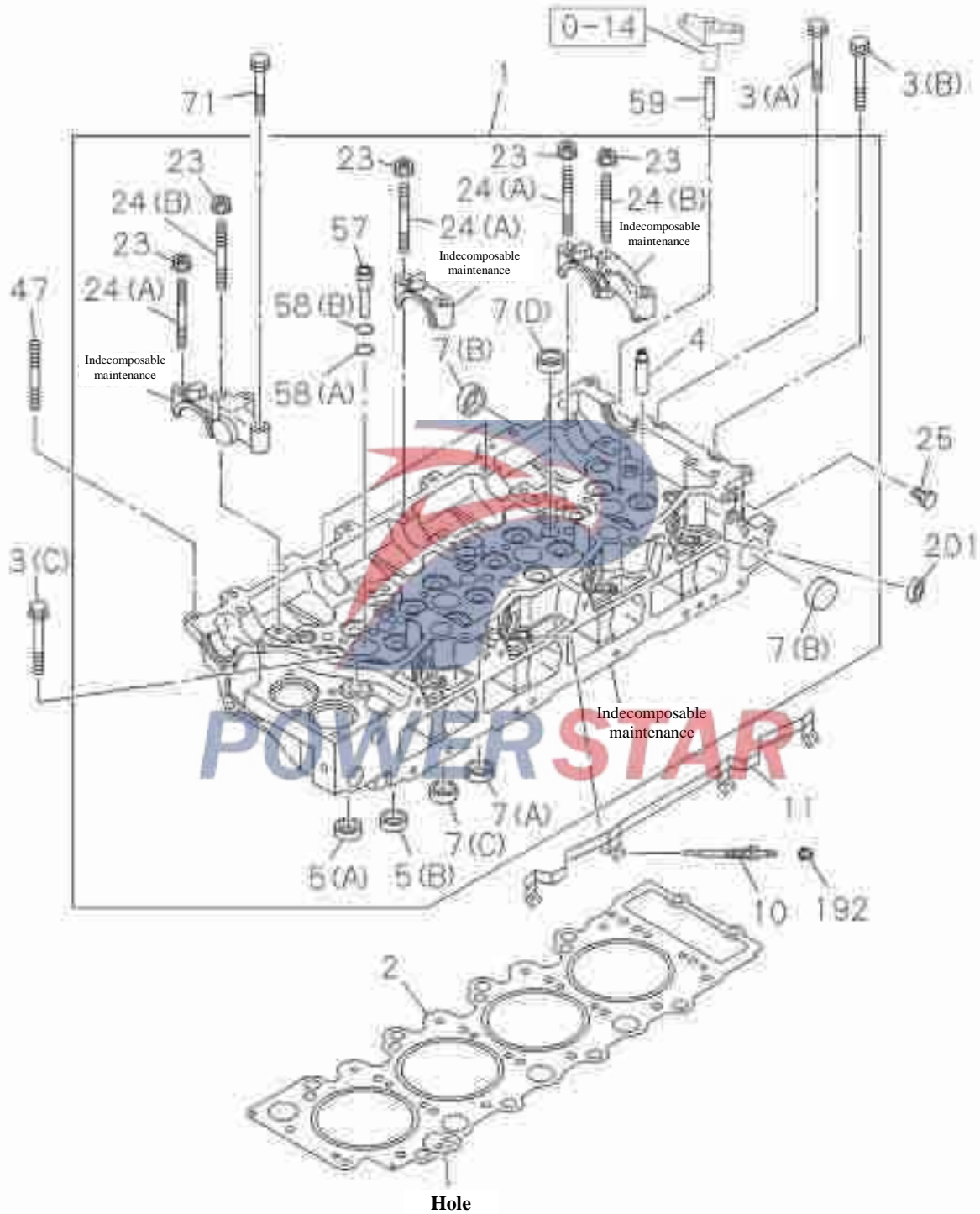


Cylinder head

NO.1

0-11

Figure No.

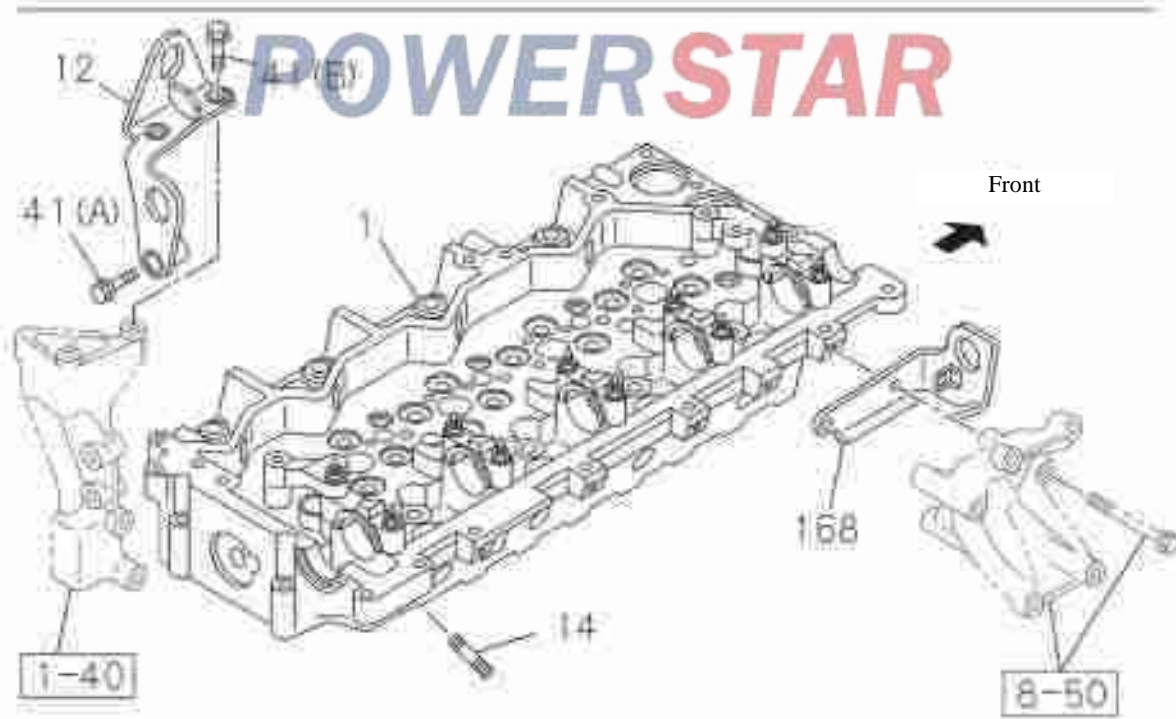
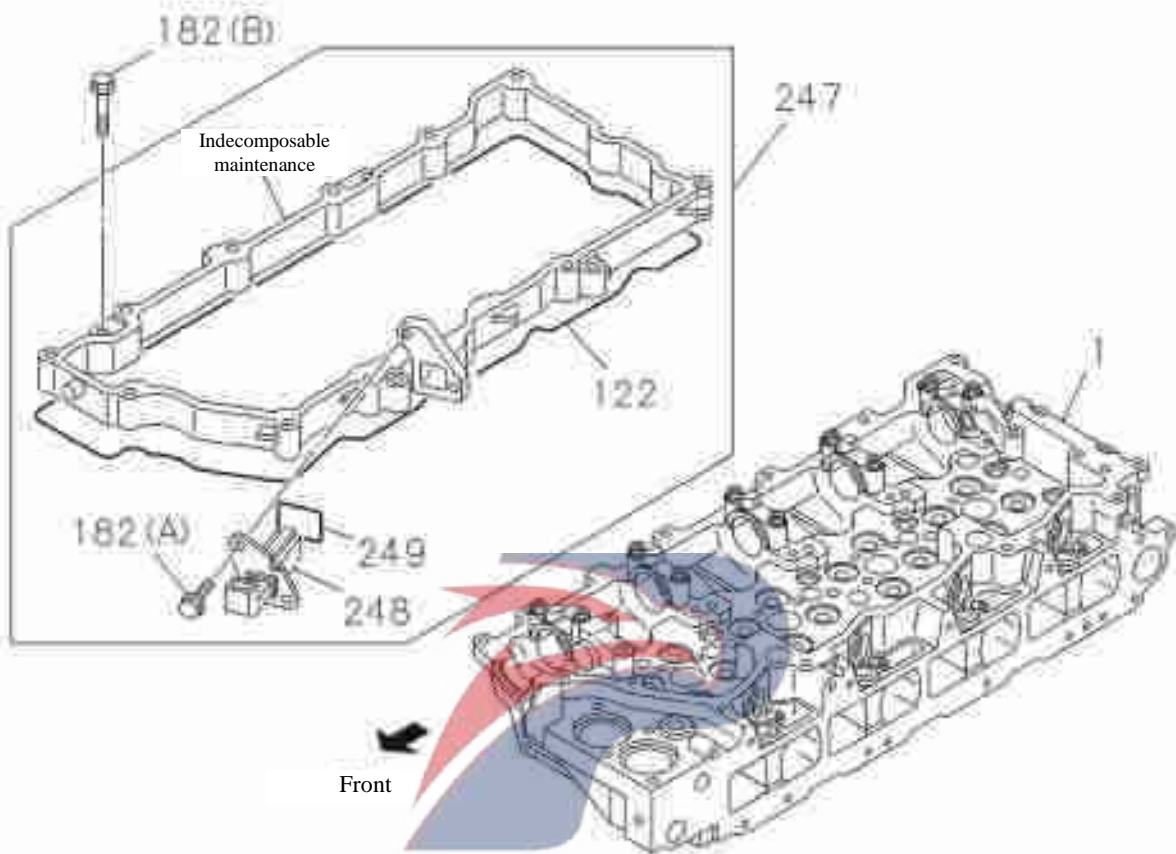


0-11

Cylinder head

Figure No.

(NO.2)

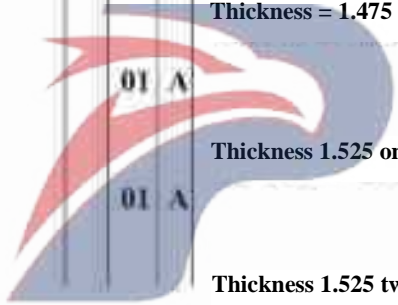


Cylinder head

0-11

Figure No.

N/S	Recommended specification / name of part				
	Isuzu figure No.	QingLing figure No.	Left/Right	Qty.	Applicable models / applicable status / notes
					4HK1-TCS Engine
1	----- Cylinder cover assembly				
	8-98018-454-5	1003010-P301		01	A
2	----- Cylinder gasket				
	8-98055-540-0			01	A
	Including in the major repair kit of engine and cylinder cover				
	Thickness = 1.475 no hole				
	8-98055-541-0			01	A
	Thickness 1.525 one hole				
	8-98055-542-0			01	A
	Thickness 1.525 two holes				
3	----- Bolt				
	8-94399-554-0			01	A
	(A)				
	M10×73				
	8-94399-555-0			01	A
	(B)				
	M10×43				
	8-97077-638-0			18	A
	Main bearing cover bolt				
	(C)				
	M14×115				
4	----- Valve guide				
	8-94390-780-0			16	A



POWERSTAR

0-11

Cylinder head

Figure No.

N/S	Recommended specification / name of part				Applicable models / applicable status / notes
	Isuzu figure No.	QingLing figure No.	Left/Right	Qty.	
					40KI-TCS Engine
5	Valve seat ring				
	8-98028-874-0			08	(A) Intake Inner diameter=32 Outer diameter = 38
	8-98028-875-0			08	(B) Exhaust Inner diameter=31 Outer diameter = 38
7	Plug cover				
	1-09600-016-0			04	(D) Outer diameter = 25
	5-11129-006-0	1002134-44		05	(A) Bowl blanking cover Outer diameter = 16
	8-97096-821-0			05	(B) Bowl blanking cover Outer diameter = 32
	9-11129-128-0			07	(C) Bowl blanking cover Outer diameter = 20
10	Glow plug				
	8-94390-777-5			04	

Cylinder head

0-11

Figure No.

N/S	Recommended specification / name of part				Applicable models / applicable status / notes
	Isuzu figure No.	QingLing figure No.	Left/Right	Qty.	
					400K1-TCS Engine
11	----- Connecting piece-preheating plug				
	8-97332-358-2			01	A
12	----- Rear lifting hook of engine				
	8-98074-691-0	1015012-P301		01	A
14	----- Studs - exhaust manifold				
	8-94397-286-0			02	A
					M10*60 Length=75
23	----- Nut-camshaft support				
	0-91180-208-0			10	A
					M8 Tape reel
24	----- Studs				
	8-94322-512-2			02	A
					(B)
					M8*54 Length=79
	8-94322-513-2			08	A
					(A)
					M8*41 Length=66
25	----- Blockage-cylinder head				
	8-98003-416-0			01	A
					M8*10

0-11

Cylinder head

Figure No.

N/S	Recommended specification / name of part				Applicable models / applicable status / notes
	Isuzu figure No.	QingLing figure No.	Left/Right	Qty.	
					40K1-TCS Engine
41	----- Bolt-rear lifting hook				
	0-28151-220-0			02	A (B)
					M12×20 Tape reel
	0-28151-280-0			01	A
47	----- Studs-cylinder head				
	0-49140-860-0			02	A (A) M12×80
					M8 ×60 Length=72
57	----- Injector bushing				
	8-97606-661-0			04	A
58	----- Sealing gasket				
	8-97604-916-0			04	A (A)
					Inner diameter=26.4
	8-98004-187-0			04	A
					Including in the major repair kit of engine and cylinder cover
					Blockage
					(B)
					Inner diameter=26.2
59	----- Valve bridge guide rod				
	8-97381-603-0			08	A

Cylinder head

0-11

Figure No.

N/S	Recommended specification / name of part				
	Isuzu figure No.	QingLing figure No.	Left/Right	Qty.	Applicable models / applicable status / notes
					4HK1-TCS Engine
71	Bolt				
	0-28050-835-0			02	A M8×35
122	Sealing gasket				
	8-97331-360-1	1003321-P301		01	A Including in the major repair kit of engine and cylinder cover
168	Front lifting hook of engine				
	8-98032-250-1	1015011-P301		01	A
182	Hexagon flange bolt				
	0-28050-812-0	Q1840812		02	A (A) M8×12
	0-28050-845-0	Q1840845		04	A (B) M8×45
192	Nut				
	8-97368-853-0			04	A M4 Tape reel
201	Sealing gasket				
	1-09639-034-0			04	A Including in the major repair kit of engine and cylinder cover

0-11

Cylinder head

Figure No.

N/S	Recommended specification / name of part				Applicable models / applicable status / notes
	Isuzu figure No.	QingLing figure No.	Left/Right	Qty.	
					40KI-TCS Engine
247	Cylinder head cover room assembly				
	8-97331-362-1	1003310-P301		01	A
248	Joint				
	8-94390-858-1	1003331-P301		01	A
249	O sealing gasket				
	8-94391-310-0	1003341-P301		01	A
					Including in the major repair kit of engine

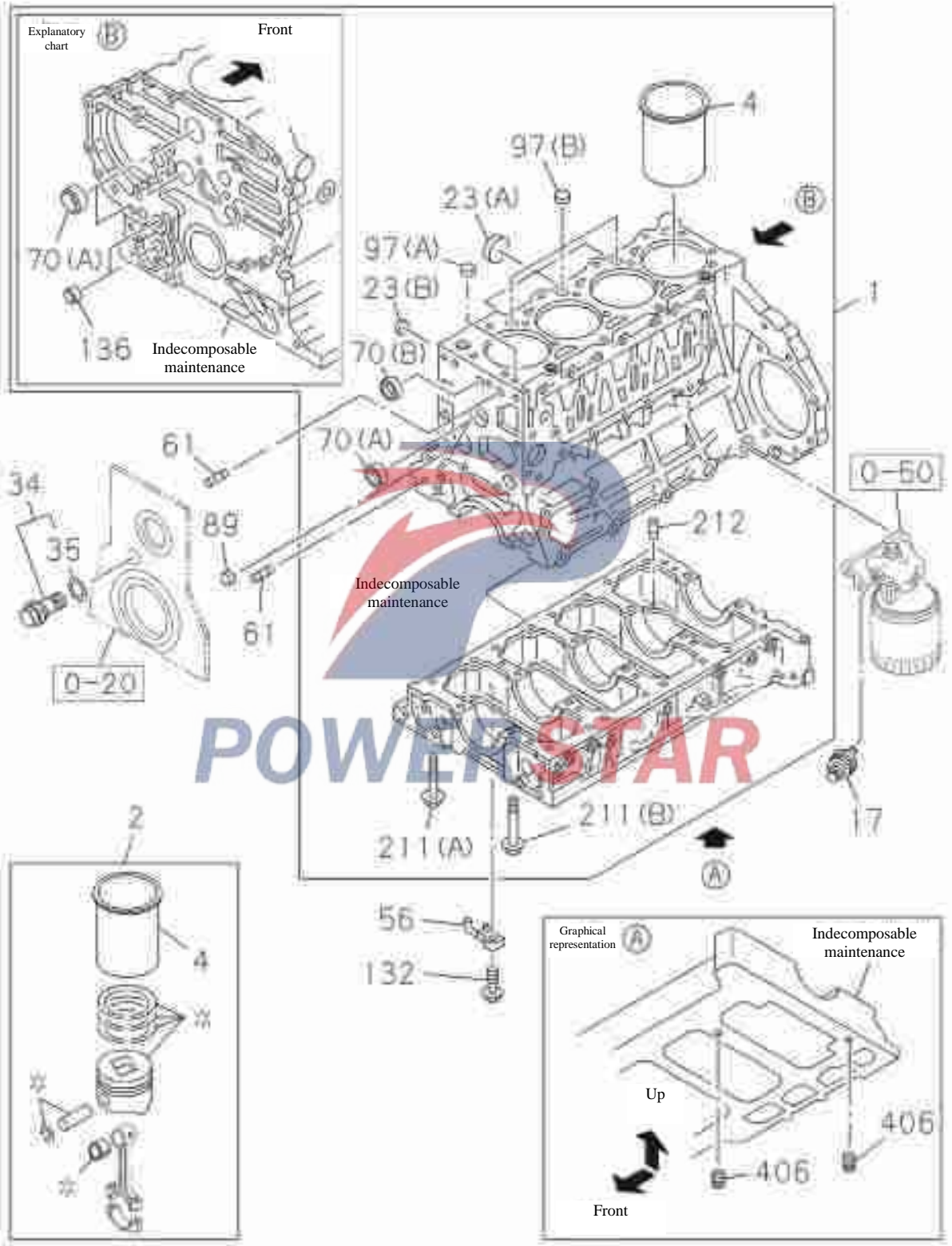
POWERSTAR

Cylinder body

NO.1

0-12

Figure No.

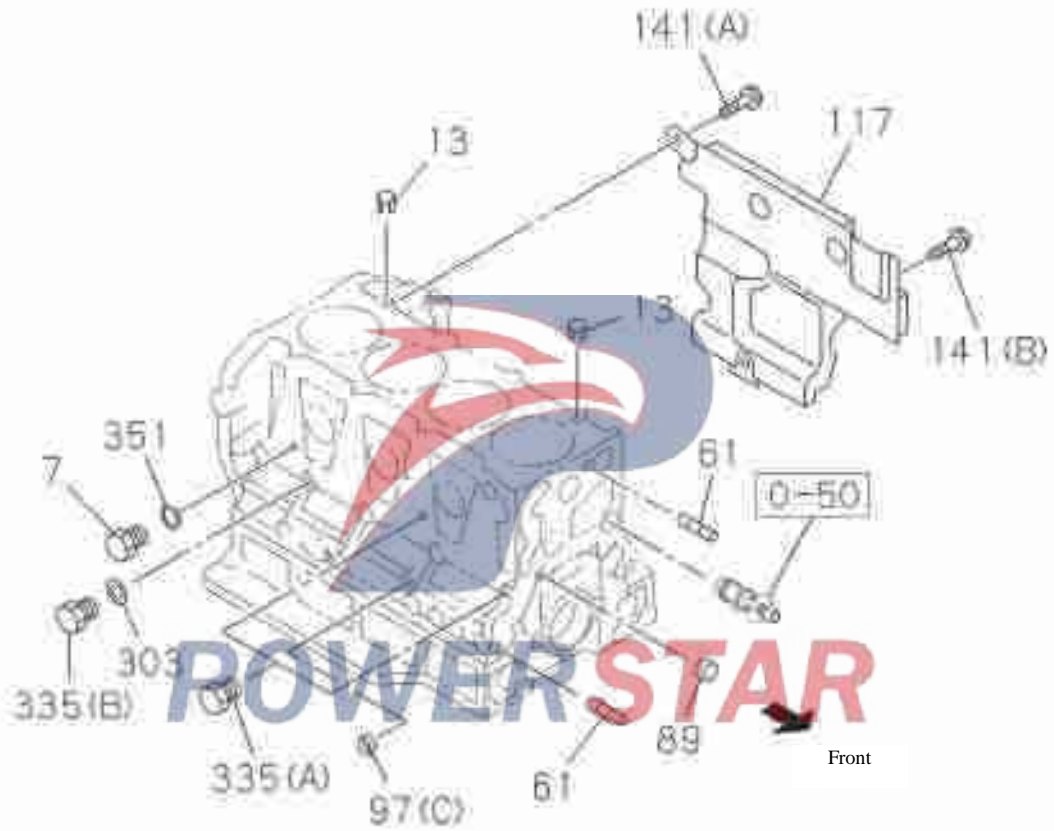


0-12

Cylinder body

Figure No.

(NO.2)



Cylinder body

0-12

Figure No.

N/S	Recommended specification / name of part				Applicable models / applicable status / notes
	Isuzu figure No.	QingLing figure No.	Left/Right	Qty.	
					4HK1-TCS Engine
1	----- Cylinder body assembly-cylinder head cover				
	8-98046-721-0	1002010-P301		01	A
2	----- Cylinder sleeve assembly				
	1-87813-119-1			04	A
					Grade 1×
	1-87813-120-1			04	A
					Grade 3×
4	----- Cylinder sleeve				
					Including in the cylinder sleeve assembly
	8-98014-046-0			04	A
					Outer diameter=1 × level; no level for inner diameter
				04	A
	8-98014-047-0				Outer diameter=3 × level; no level for inner diameter
7	----- Blockage-water way				
	8-97352-537-0			01	A
					M10×10
13	----- Positioning sleeve				
	8-94399-688-1			02	A
					Outer diameter = 18.15
17	----- Oil pressure alarm switch				
	8-97176-230-0			01	A

0-12

Cylinder body

Figure No.

N/S	Recommended specification / name of part				Applicable models / applicable status / notes
	Isuzu figure No.	QingLing figure No.	Left/Right	Qty.	
					4HK1-TCS Engine
23	Bowl blanking cover				
	1-09600-016-0			01	A (B) Outer diameter = 25
	8-97036-550-1			03	A (A) Outer diameter = 45
34	Pressure regulating valve				
	8-94386-047-1			01	A
35	Seal gasket-adjusting valve				
	8-94173-412-0			04	A Inner diameter=23.3
56	Nozzle-piston cooling				
	8-98020-649-0			04	A
61	Dowel pin				
	8-94483-674-0			04	A Length=22

Cylinder body

0-12

Figure No.

N/S	Recommended specification / name of part				Applicable models / applicable status / notes
	Isuzu figure No.	QingLing figure No.	Left/Right	Qty.	
					400KI-TCS Engine
70	----- Bowl blanking blockage				
	1-09600-016-0			01	A (B) Outer diameter = 25
	8-97096-824-0			04	A (A) Outer diameter = 40
89	----- Bowl blanking blockage				
	9-11129-128-0			03	A Outer diameter = 20
97	----- Bowl blanking blockage				
	5-11129-006-0	1002134-44		01	A (A) Outer diameter = 16
	8-97036-335-1			01	A (C) Outer diameter = 12
	8-97209-609-0	1003302-44		03	A (B) Outer diameter = 22
117	----- Cover plate assembly				
	8-98039-564-0	1013050-P301		01	A

0-12

Cylinder body

Figure No.

N/S	Recommended specification / name of part				Applicable models / applicable status / notes
	Isuzu figure No.	QingLing figure No.	Left/Right	Qty.	
					4HK1-TCS Engine
132	----- Pressure regulating valve				
	1-11361-012-0			04 A	M10×18.5
136	----- Bushing-oil pump				
	8-94393-596-1			02 A	
141	----- Hexagon flange bolt				
	0-28050-812-0	Q1840812		01 A	(A) M8×12
	0-28151-016-0			01	(B) M10×16 Bolt
211	----- Crankcase bolt				
	8-94399-553-2			17 A	(A) M10×82
	8-97077-638-0			01 A	Main bearing cover bolt (B) M14×115
212	----- Dowel pin-crankcase				
	8-97135-423-0	Q2511020		02 A	Outer diameter =10 Length=20

Cylinder body

0-12

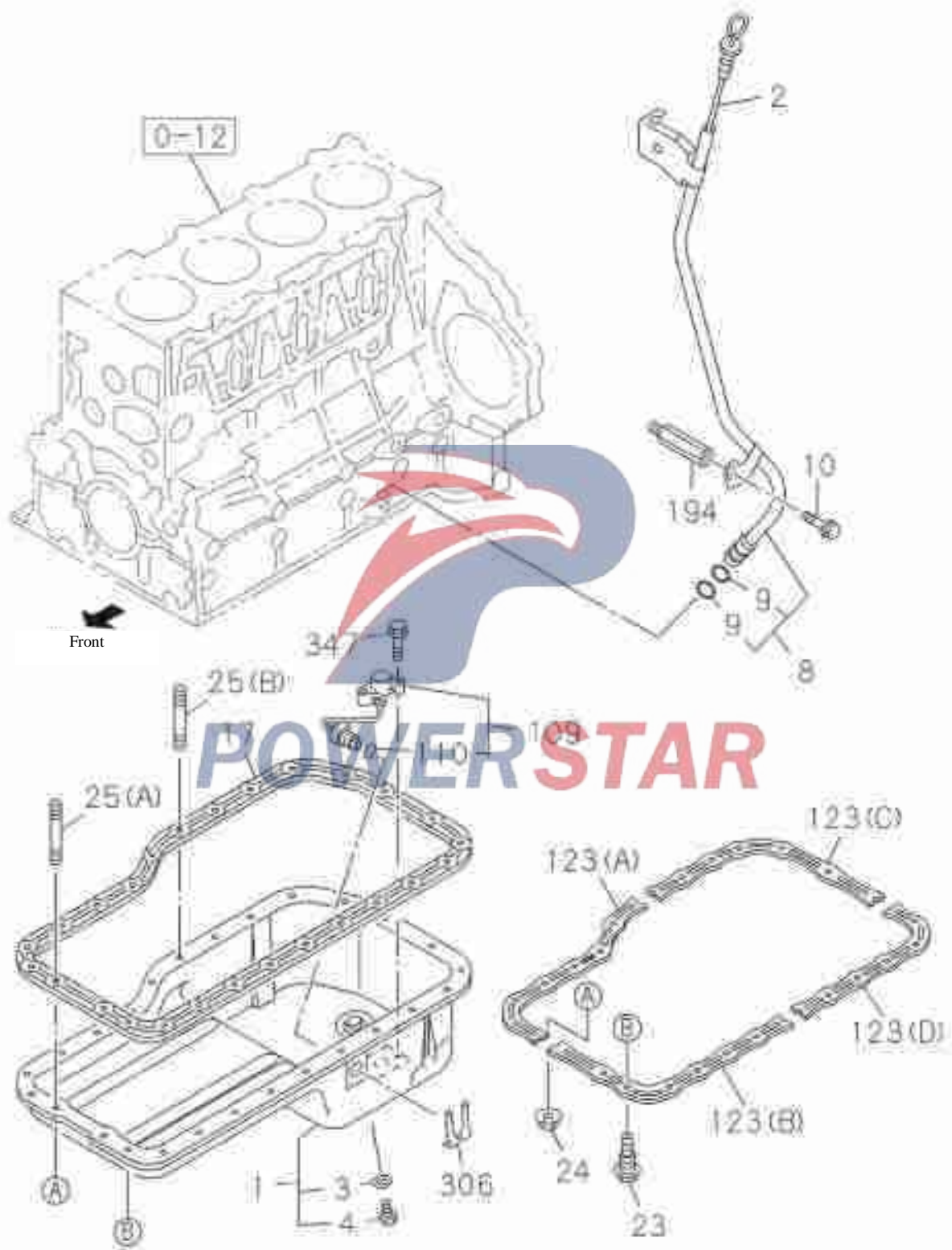
Figure No.

N/S	Recommended specification / name of part				Applicable models / applicable status / notes
	Isuzu figure No.	QingLing figure No.	Left/Right	Qty.	
					4M1-TC3 Engine
303	----- Sealing gasket				
					Including in the major repair kit of engine
	1-09630-085-0			01 A	Inner diameter=14.2 Outer diameter=19.2
335	----- Blockage				
	0-20801-418-0			01 A	(B) M14*8
	8-97018-606-0			02 A	(A) M14*16.5
351	----- Seal gasket-waterway blockage				
					Including in the major repair kit of engine
	1-09630-083-0			01 A	Outer diameter = 10.2
406	----- Oil bleeder screw plug				
	5-09605-005-0	1303144-44		02 A	PT3/8

0-13

Oil pan and oil level gauge tube assembly

Figure No.



Oil pan and oil level gauge tube assembly

0-13

Figure No.

N/S	Recommended specification / name of part				Applicable models / applicable status / notes
	Isuzu figure No.	QingLing figure No.	Left/Right	Qty.	
					4HK1-TCS Engine
1	Oil pan assembly				
	8-97386-772-0	1009010-P301		01	A
2	Oil level gauge assembly				
	8-98034-388-0	1018010-P301		01	A
3	Sealing pad - oil drain screw plug				
	8-94158-328-0	1009013-10		01	A
	Including in the major repair kit of engine				
	Inner diameter=14.2 Outer diameter=24				
4	Oil bleeder screw plug				
	8-94152-613-0	1009012-10		01	A
	M14x14				
8	Oil level gauge tube assembly				
	8-98039-161-0	1018020-P301		01	A
9	O-ring-oil level gauge tube				
	1-09623-469-0	1018031-P301		02	A
	Including in the major repair kit of engine				
	Inner diameter=11				
10	Hexagon flange bolt-oil level gauge tube				
	0-28650-820-0	Q1840820		01	A
	M8x20				

0-13

Oil pan and oil level gauge tube assembly

Figure No.

N/S	Recommended specification / name of part				
	Isuzu figure No.	QingLing figure No.	Left/Right	Qty.	Applicable models / applicable status / notes
					4HK1-TCS Engine
17	Washer-oil shell				
					Including in the major repair kit of engine
	8-97364-386-0			01 A	
23	Bolt-oil sump				
	8-97190-390-0			13 A	M8*12.8
24	Hexagon flange nut-oil shell				
	0-91180-108-0	Q32008		13 A	M8
25	Studs-oil sump				
	8-97190-391-0			01 A	(B) M8*16, M8*17 Length=37
	8-97190-392-0			09 A	(A) M8*16, M8*19 Length=39
109	Oil level switch				
	8-97328-993-1			01 A	
110	Seal ring-oil level switch				
	8-98048-191-0			01 A	

Oil pan and oil level gauge tube assembly

0-13

Figure No.

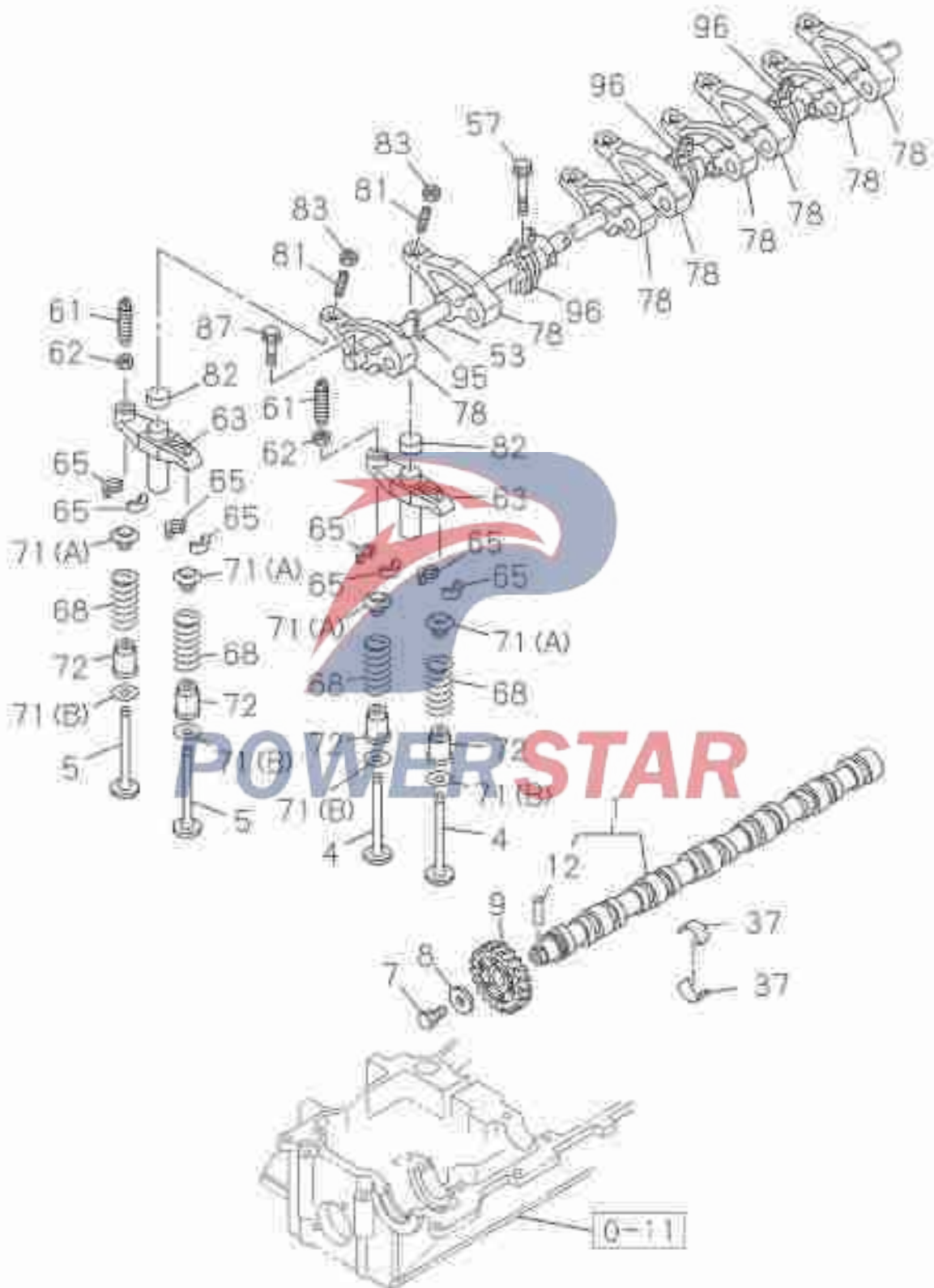
N/S	Recommended specification / name of part				
	Isuzu figure No.	QingLing figure No.	Left/Right	Qty.	Applicable models / applicable status / notes
					4HK1-TCS Engine
123	----- Pressure block-sealing gasket				
	8-97186-988-0	1009040-P301		01	A Right front pressure block (A)
	8-97186-994-0	1009030-P301		01	A Left front pressure block (B)
	8-97186-998-0	1009060-P301		01	A Right rear pressure block assembly (C)
	8-97187-000-0	1009050-P301		01	A Left rear pressure block assembly (D)
194	----- Spacer sleeve-oil level gauge tube				
	8-97101-215-0			01	A
306	----- Clip				
	8-97229-219-0			01	A
347	----- Hexagon flange bolt				
	0-28650-625-0	Q1840625		02	A M6×25

0-14

Camshaft and air valve

Figure No.

Camshaft, rocker shaft

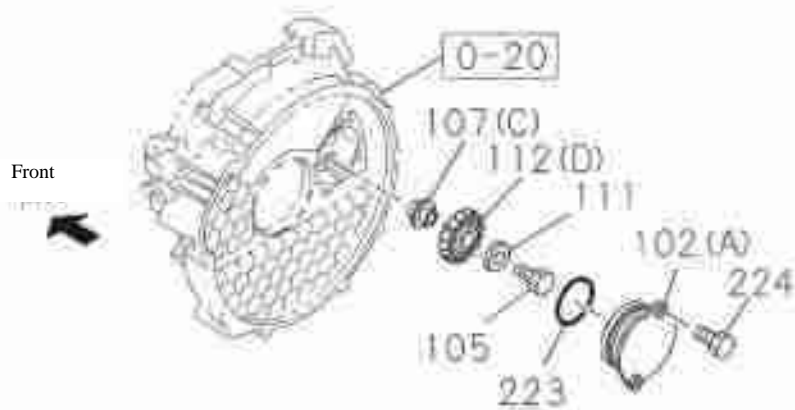
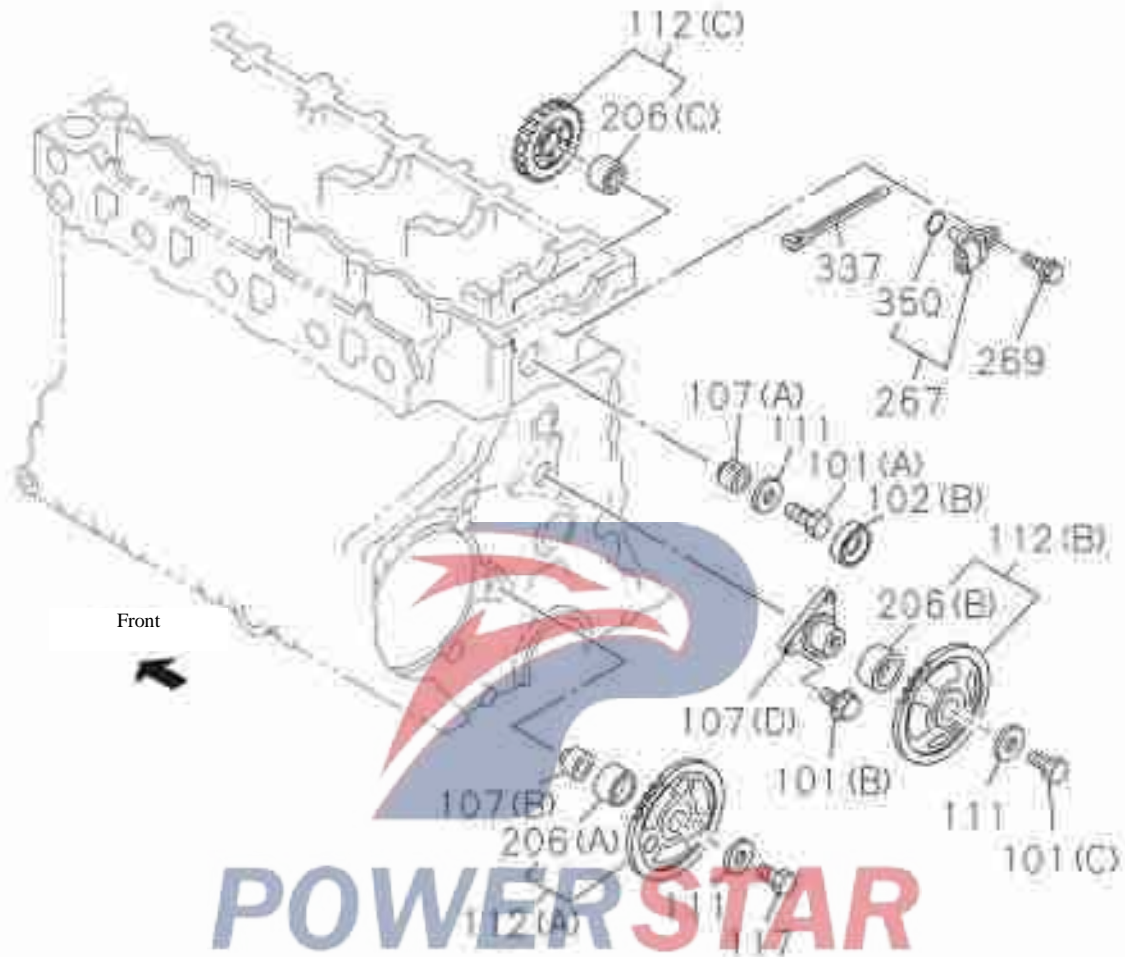


Camshaft and air valve

0-14

Idle gear

Figure No.



0-14

Camshaft and air valve

Figure No.

N/S	Recommended specification / name of part				
	Isuzu figure No.	QingLing figure No.	Left/Right	Qty.	Applicable models / applicable status / notes
					4HK1-TCS Engine
1	----- Camshaft assembly				
	8-97262-166-0	1006010-P301		01	A
4	----- Intake valve				
	8-94395-882-0			08	A
5	----- Exhaust valve				
	8-97209-876-2			08	A
7	----- Bolt - camshaft gear				
	8-94396-439-0			01	A
					M14×40
8	----- Gasket - camshaft gear				
	9-09851-850-3			01	A
					Inner diameter=14.5
9	----- Gear, camshaft				
	8-98018-935-3	1006021-P301		01	A
					Z=35
12	----- Dowel pin				
	8-94399-487-0			01	A
37	----- Camshaft bearing shells				
	8-97386-189-0			10	A
					B=16
53	----- Rocker shaft				
	8-97389-921-0			01	A

Camshaft and air valve

0-14

Figure No.

N/S	Recommended specification / name of part				Applicable models / applicable status / notes
	Isuzu figure No.	QingLing figure No.	Left/Right	Qty.	
					400K1-TCS Engine
57	----- Bolt-rocker shaft bracket				
	8-94393-131-0			03 A	M10×62 Tape reel
61	----- Adjusting screw-valve bridge				
	8-94394-803-0			08 A	M8×21
62	----- Nut-adjusting screw				
	9-09844-574-0			08 A	M8 Tape reel
63	----- Valve bridge				
	8-94392-002-3			08 A	
65	----- Locking ring of valve spring seat				
	5-12565-004-0	107113-44A		32 A	
68	----- Valve spring				
	8-97210-682-0			08 A	Exhaust valve Red mark
	8-98352-888-0			08 A	Intake valve Blue mark
71	----- Valve spring seat				
	8-94390-783-2			16 A	Valve spring seat-upper (A) Outer diameter=32.8 Thickness = 12.75
	8-94391-468-0			16 A	Lower washer of valve spring (B) Inside diameter =14.3 Thickness = 1.0

0-14

Camshaft and air valve

Figure No.

N/S	Recommended specification / name of part				
	Isuzu figure No.	QingLing figure No.	Left/Right	Qty.	Applicable models / applicable status / notes
					4HK1-TCS Engine
72	----- Valve seal				
	8-97376-720-0			16	A Including in the major repair kit of engine and cylinder cover
78	----- Rocker arm				
	8-97306-421-2			04	A Intake
	8-97306-424-2			04	A Exhaust
81	----- Adjusting screw				
	8-94395-024-0			08	A M10 Length=32
82	----- Rocker arm shaft cover				
	8-94396-015-2			08	A
83	----- Nut - adjusting screw				
	0-91111-510-0			08	A M10
87	----- Flange bolts-rocker arm shaft				
	0-28050-840-0	Q1840840		02	A M18x40
95	----- Spring-rocker shaft				
	8-94392-999-0			04	A
96	----- Bracket-rocker shaft				
	8-97334-414-0			03	A

Camshaft and air valve

0-14

Figure No.

N/S	Recommended specification / name of part				Applicable models / applicable status / notes
	Isuzu figure No.	QingLing figure No.	Left/Right	Qty.	
101	---- Bolt				
	0-28060-816-0			03	A (B) M8*16 Tape reel
	8-94372-221-1			01	A (A) M14*36.5
	9-92361-425-0			01	A (C) M14*25
102	---- Cover plate-idle gear				
	8-94334-681-1	1005151-P301		01	A (A)
	8-97096-826-0			01	A (B) Cover plate-idle gear C Outer diameter = 51
105	---- Bolt				
	0-16956-460-0			01	A M14*60
107	---- Idler shaft				
	8-94334-682-0	1005211-P301		01	A (C)
	8-97186-398-1	1006051-P301		01	A Idle gear C shaft (A)
	8-97350-021-0	1006091-P301		01	A Idle gear B shaft (D)
	8-98060-780-0	1006151-P301		01	A Idle gear A shaft (B)

0-14

Camshaft and air valve

Figure No.

N/S	Recommended specification / name of part				
	Isuzu figure No.	QingLing figure No.	Left/Right	Qty.	Applicable models / applicable status / notes
					4HK1-TCS Engine
111	----- Thrust washer				
	8-97209-728-2	1006061-P301		04	A Inner diameter=14.5 Outer diameter=46
112	----- Idle gear assembly				
	8-97120-005-0	1005220-P301		01	A Idle assembly-power steering pump (D) Z=34
	8-97600-586-1	1006110-P301		01	A Idle gear A assembly (A) Z=72-60-30
	8-97606-767-0	1006070-P301		01	A Idle gear B assembly (B) Z=61
	8-97606-929-0	1006030-P301		01	A (C) Z=41
117	----- Bolt				
	8-97113-167-0			01	A M4*65 Tape reel
206	----- Bushing				
	1-12528-028-0	1006141-P301		01	A Bushing-idle gear A (A)
	8-97606-768-0	1006081-P301		01	A Bushing-idle gear B (B)
	8-97606-770-0	1006041-P301		01	A Bushing-idle gear C (C)

Camshaft and air valve

0-14

Figure No.

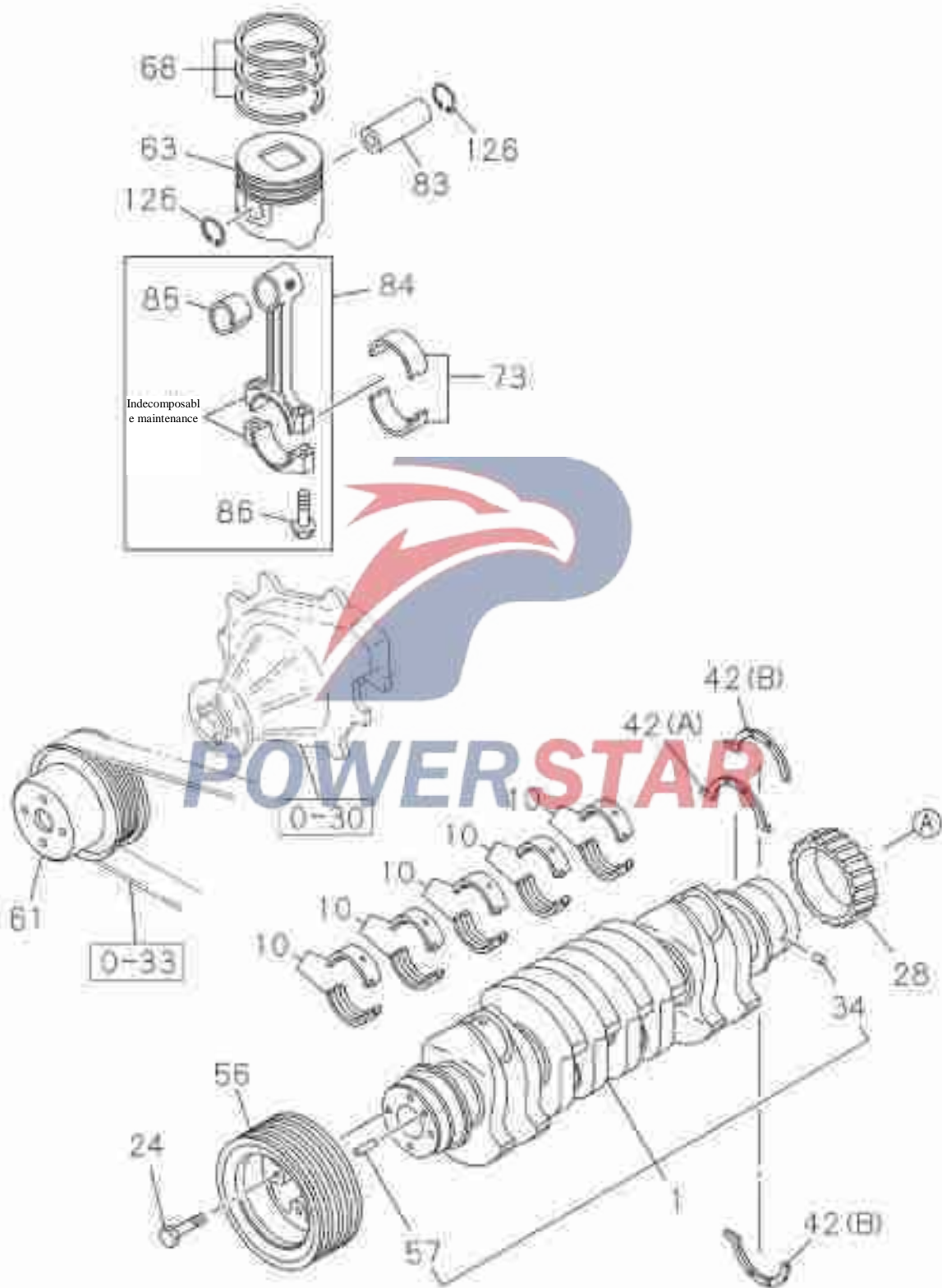
N/S	Recommended specification / name of part				Applicable models / applicable status / notes
	Isuzu figure No.	QingLing figure No.	Left/Right	Qty.	
					4HK1-TCS Engine
223	----- O-ring				
	1-09623-423-0			01	A Including in the major repair kit of engine Inner diameter=105.6 No hole
224	----- Bolt-fastening adjusting bolt				
	0-28050-816-0	Q1840816		02	A M18*16 Tape reel
267	----- Camshaft position sensor				
	8-98019-024-0			01	A
269	----- Hexagon flange bolt-camshaft position sensor				
	0-28050-612-0	Q1840612		01	A M16*12
337	----- Hoop band-camshaft position sensor				
	5-09707-054-0	3504125-803		02	A Length=170
350	----- Seal ring-camshaft position sensor				
	8-97369-404-0			01	A

0-15

Crankshaft, piston and flywheel

Figure No.

Crankshaft and piston

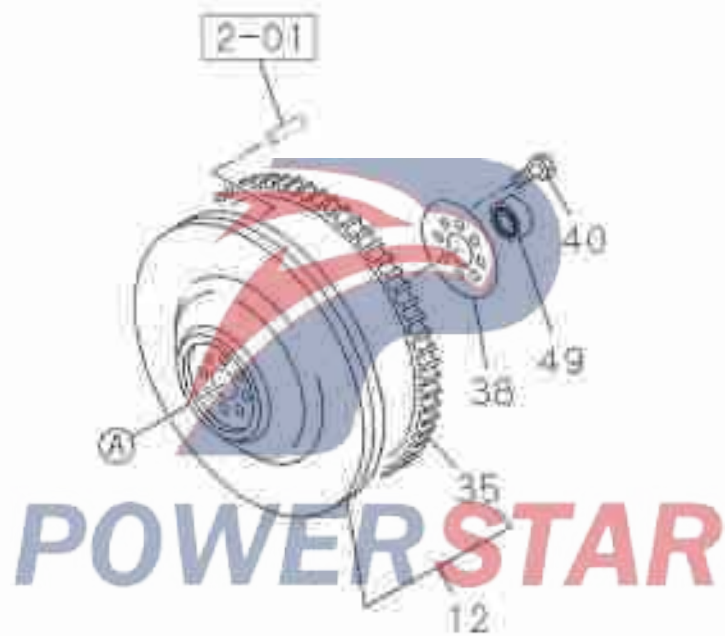


Crankshaft, piston and flywheel

0-15

Flywheel

Figure No.



0-15

Crankshaft, piston and flywheel

Figure No.

N/S	Recommended specification / name of part				
	Isuzu figure No.	QingLing figure No.	Left/Right	Qty.	Applicable models / applicable status / notes
					4HK1-TCS Engine
1	----- Crankshaft assembly				
	8-98029-270-0	1005010-P301		01	A
10	----- Main shaft bushing				
	8-97372-076-1			05	A
					Blue
	8-97372-077-1			05	A
					Black
	8-97372-078-1			05	A
					Brown
12	----- Flywheel assembly				
	8-97326-227-0	1005020-P301		01	A
24	----- Bolt-torsional dampers				
	8-97028-733-0			04	A
					M18×33
28	----- Crankshaft gear				
	8-94394-342-4	1005031-P301		01	A
					Z=42
34	----- Dowel pin				
	9-09878-626-0			01	A
					Outer diameter =5 Length=6
35	----- Ring gear				
	8-97046-366-0	1005022-P301		01	A
					Z=138

Crankshaft, piston and flywheel

0-15

Figure No.

N/S	Recommended specification / name of part				
	Isuzu figure No.	QingLing figure No.	Left/Right	Qty.	Applicable models / applicable status / notes
					40K1-TCS Engine
38	----- Gasket-flywheel				
	8-94397-496-1	1005025-P301		01 A	Inner diameter=55 Outer diameter=110
40	----- Bolt-flywheel				
	8-97178-013-0			08 A	M18x33
42	----- Thrust washer				
	8-97386-548-0			01 A	(Front) (A)
	8-97386-549-0			02 A	(Rear) (B)
49	----- Bearing				
	8-97258-239-0			01 A	
56	----- Torsional dampers				
	8-98004-024-3			01 A	3 groove
57	----- Dowel pin-torsional dampers				
	9-08150-820-0			02 A	Outer diameter =8 Length=20
61	----- Pulley				
	8-98003-384-1	1308321-P301		01 A	1 groove

0-15

Crankshaft, piston and flywheel

Figure No.

N/S	Recommended specification / name of part				
	Isuzu figure No.	QingLing figure No.	Left/Right	Qty.	Applicable models / applicable status / notes
					4HK1-TC Engine
63	----- Piston				
	8-98041-062-0	1004011-P301		04	A Including in the repair kit of cylinder sleeve Non gradation
68	----- Piston ring assembly				
	8-98040-125-0			04	A Including in the repair kit of cylinder sleeve
73	----- Connecting rod bush assembly				
	8-98055-479-0			04	A Yellow
	8-98055-480-0			04	A Green
83	----- Piston pin				
	8-98018-863-1			04	A Including in the repair kit of cylinder sleeve
84	----- Connecting rod assembly				
	8-98018-425-0	1004110-P301		04	A
85	----- Bushing, connecting rod				
	8-94391-794-0			04	A Including in the repair kit of cylinder sleeve
86	----- Bolt, connecting rod				
	1-12235-035-0			08	A M13x57 Tape reel

Crankshaft, piston and flywheel

0-15

Figure No.

N/S	Recommended specification / name of part				Applicable models / applicable status / notes
	Isuzu figure No.	QingLing figure No.	Left/Right	Qty.	
126	8-98006-828-0			08	<p>----- Circlip</p> <p>Including in the repair kit of cylinder sleeve</p> <p>Outer diameter = 43.7</p>



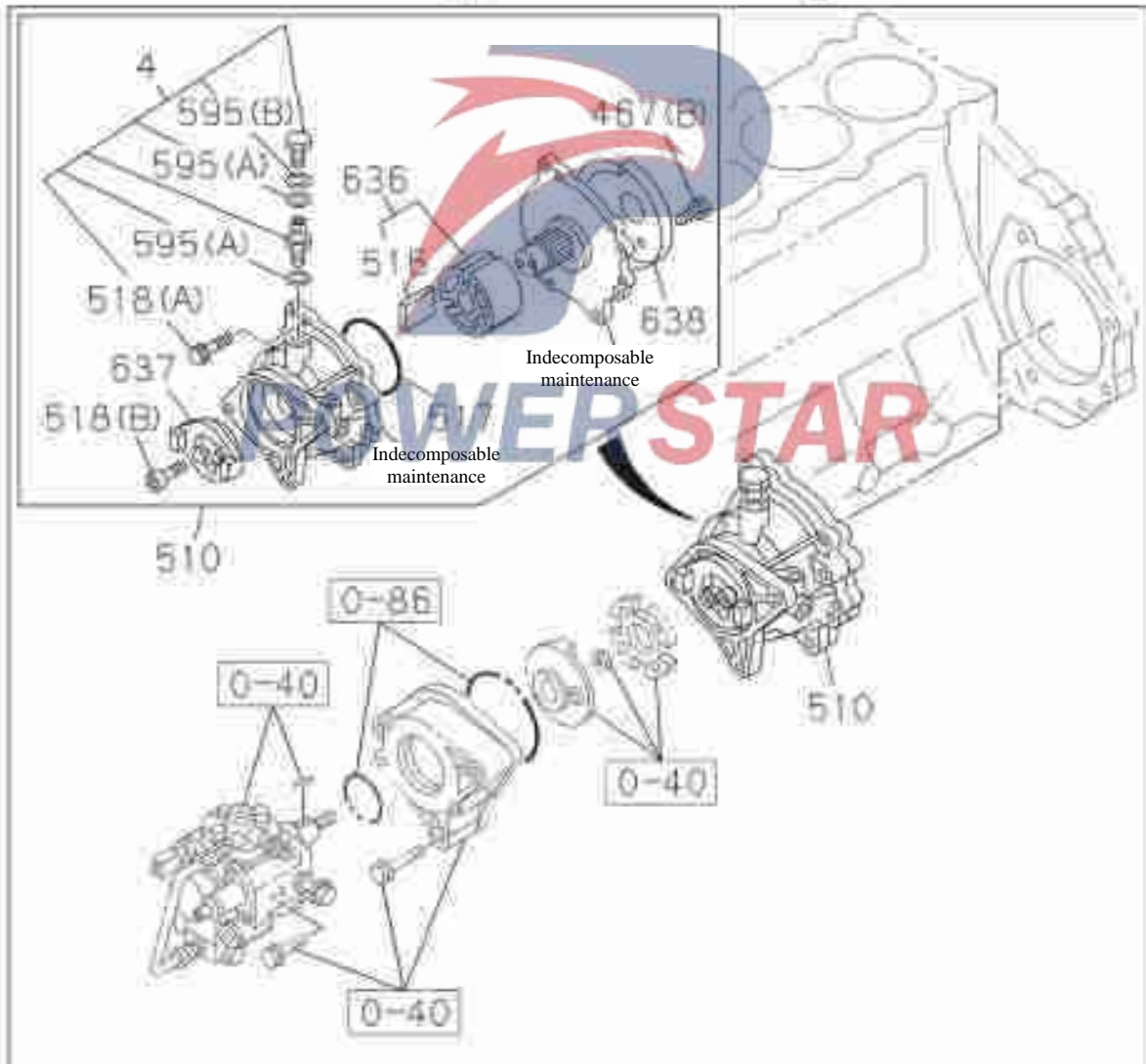
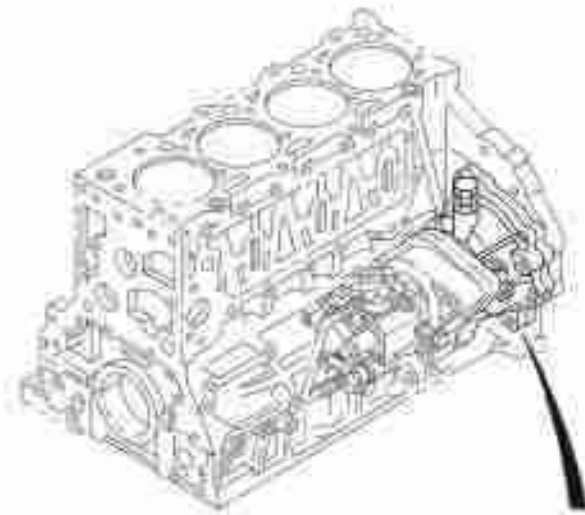
POWERSTAR

0-20

Timing gear chamber and flywheel housing

Figure No.

Vacuum pump

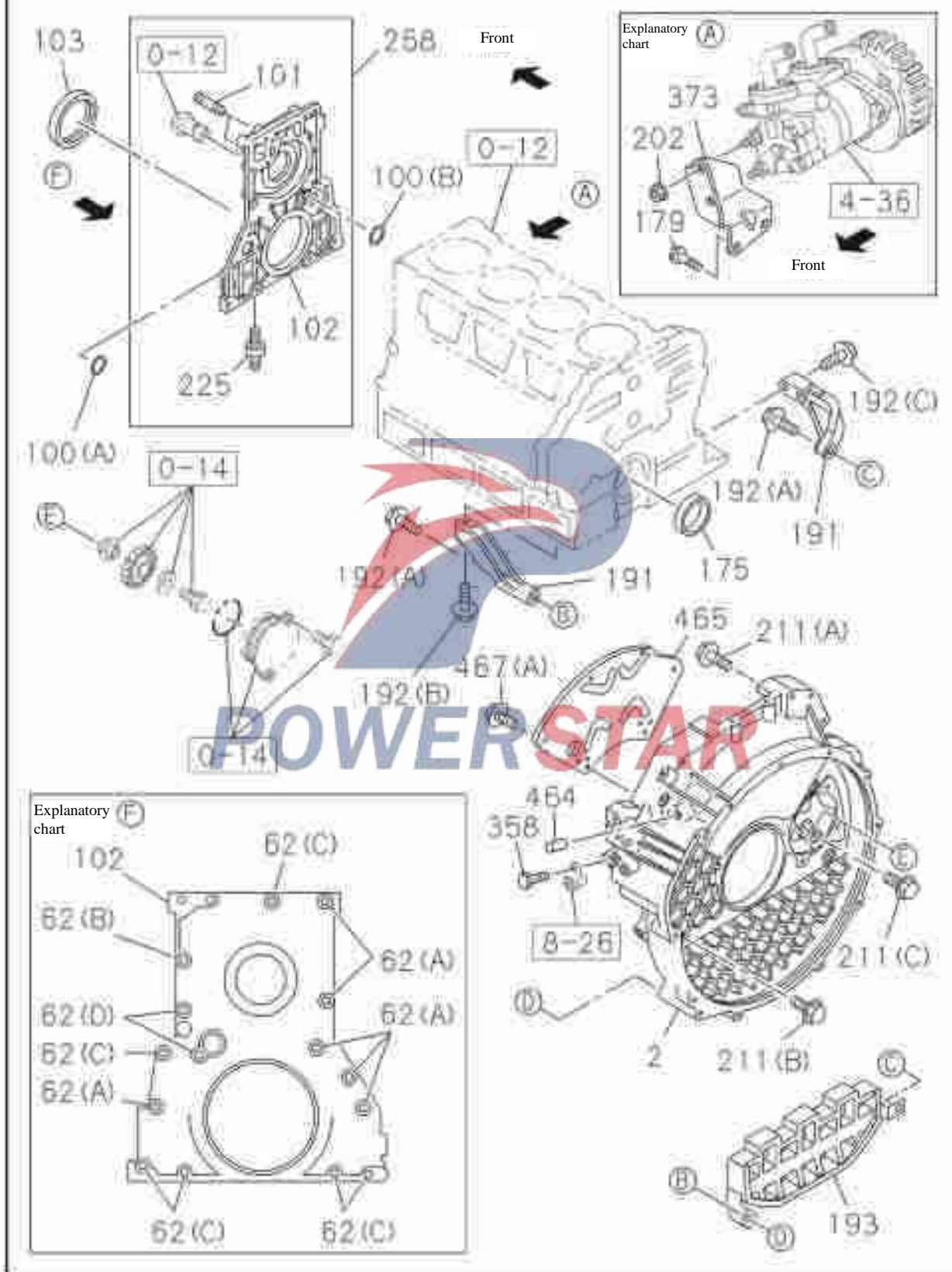


Timing gear chamber and flywheel housing

0-20

Timing gear chamber and other parts

Figure No.



0-20

Timing gear chamber and flywheel housing

Figure No.

N/S	Recommended specification / name of part				Applicable models / applicable status / notes
	Isuzu figure No.	QingLing figure No.	Left/Right	Qty.	
					4HK1-TC Engine
2	----- Flywheel housing				
	8-97364-901-1	1005111-P301		01	A
4	----- Vacuum valve assembly				
	8-98049-521-0			01	A
62	----- Hexagon flange bolt				
	0-28650-825-0	Q1840825		06	A (A) M8×25
	0-28650-830-0	Q1840830		01	A (B) M8×30
	0-28650-835-0	Q1840835		06	A (C) M8×35
	1-09044-072-1			02	A (D) M8×65
100	----- O-ring				
	8-97028-748-1			01	A (A) Including in the major repair kit of engine Inner diameter=35.1
	9-09561-318-0			01	A (B) Inner diameter=17.8

Timing gear chamber and flywheel housing

0-20

Figure No.

N/S	Recommended specification / name of part				
	Isuzu figure No.	QingLing figure No.	Left/Right	Qty.	Applicable models / applicable status / notes
					4HK1-TCS Engine
101	----- Studs-water pump				
	0-41010-818-0			01	A (up) M8×18 Length=30
	8-97028-541-0			01	A (down) M8×18 Length=29
102	----- Front cover plate				
	8-98039-932-1	1002311-P301		01	A
103	----- Front oil seal of Crankshaft				
	8-97329-780-0			01	A Including in the major repair kit of engine
175	----- Rear oil seal of crankshaft				
	8-97602-379-0			01	A Including in the major repair kit of engine
179	----- Bolt				
	0-28151-020-0			02	A M10×20 Tape reel
191	----- Connecting bracket				
	8-97167-291-0	1701541-P301	Right	01	A
	8-97167-292-0	1701531-P301	Left	01	A

0-20

Timing gear chamber and flywheel housing

Figure No.

N/S	Recommended specification / name of part				
	Isuzu figure No.	QingLing figure No.	Left/Right	Qty.	Applicable models / applicable status / notes
					4HK1-TCS Engine
192	Hexagon flange bolt				
	0-28151-040-0	Q1841040	Right	02	A (C) M10×40
	0-28151-200-0	Q18412100	Left	01	A (B) M12×100
	0-28151-250-0	Q1841250		02	A (A) M12×50
193	Rubber sound insulating pad				
	8-97259-536-0			01	A POWERSTAR
202	Hexagon flange nut				
	0-91180-108-0	Q32008		01	A M8
211	Bolt				
	0-28751-040-0			01	A (A) M10×40 Tape reel
	8-97114-779-0			11	A (B) M12×70
	8-97135-419-0			02	A (C) M12×30 Tape reel

Timing gear chamber and flywheel housing

0-20

Figure No.

N/S	Recommended specification / name of part				Applicable models / applicable status / notes
	Isuzu figure No.	QingLing figure No.	Left/Right	Qty.	
					4001-TCS Engine
225	----- Studs				
	8-97190-392-0			03	A M8×16 ; M8×19 Length=39
268	----- Front cover plate assembly				
	8-98057-151-0	1002310-P301		01	A
358	----- Flange bolts				
	0-28050-616-0	Q1840616		01	A M6×16
373	----- Bracket-power steering pump				
	8-97149-333-0	1005241-P301		01	A
464	----- Hard tube assembly-PCV				
	8-94373-246-3	1005120-P301		01	A
465	----- Baffle plate				
	8-97363-823-0	1005131-P301		01	A
467	----- Hexagon head bolt				
	0-20800-610-0	Q150B0610		06	A (A) M6×10
	8-98049-523-0			02	A (B)

0-20

Timing gear chamber and flywheel housing

Figure No.

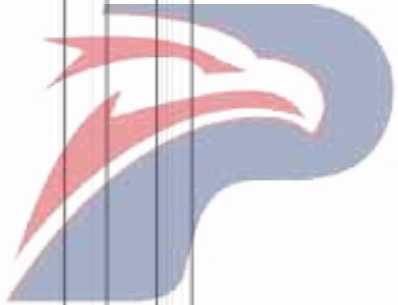
N/S	Recommended specification / name of part				Applicable models / applicable status / notes
	Isuzu figure No.	QingLing figure No.	Left/Right	Qty.	
510	----- Vacuum pump assembly				
	8-97388-589-6			01	A
516	----- Blade-vacuum pump				
	8-98051-279-0			03	A
517	----- Seal ring-vacuum pump				
	8-98051-280-0			01	A
518	----- Bolt-vacuum valve				
	0-50640-625-0			03	A
					(A)
	8-98051-277-0			02	A
					(B)
595	----- Washer				
	8-98018-518-0			01	A
					(B)
	8-98018-519-0			02	A
					(A)
636	----- Rotor assembly				
	8-98051-281-0			01	A

Timing gear chamber and flywheel housing

0-20

Figure No.

N/S	Recommended specification / name of part				Applicable models / applicable status / notes
	Isuzu figure No.	QingLing figure No.	Left/Right	Qty.	
					JH41-TC Engine
637	-----	Coupling			
	8-98051-278-0			01	A
638	-----	Panel-vacuum pump			
	8-98051-276-0			01	A



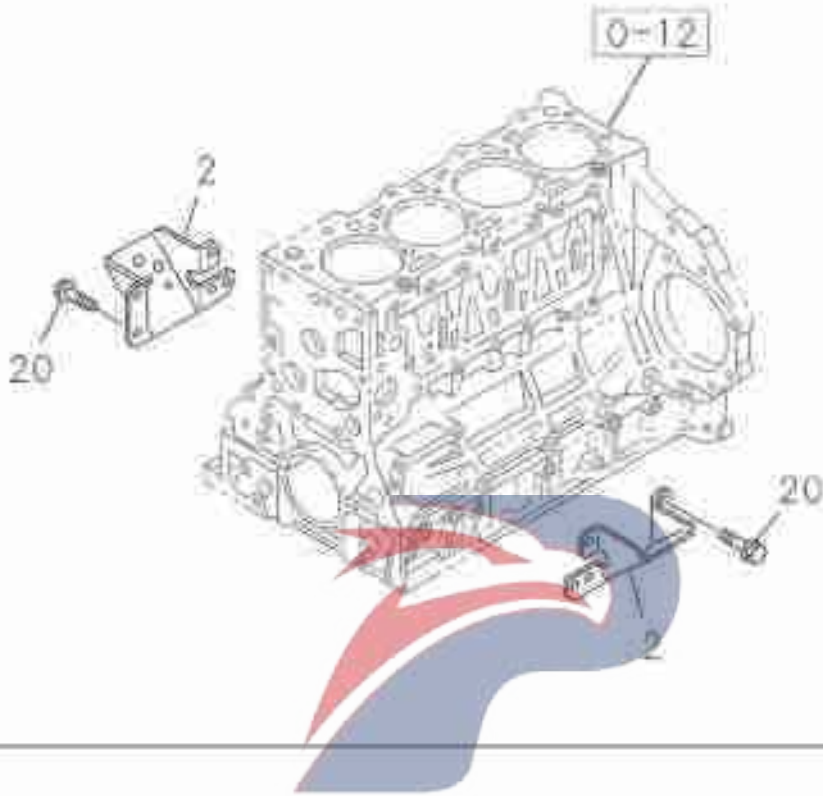
POWERSTAR

0-22

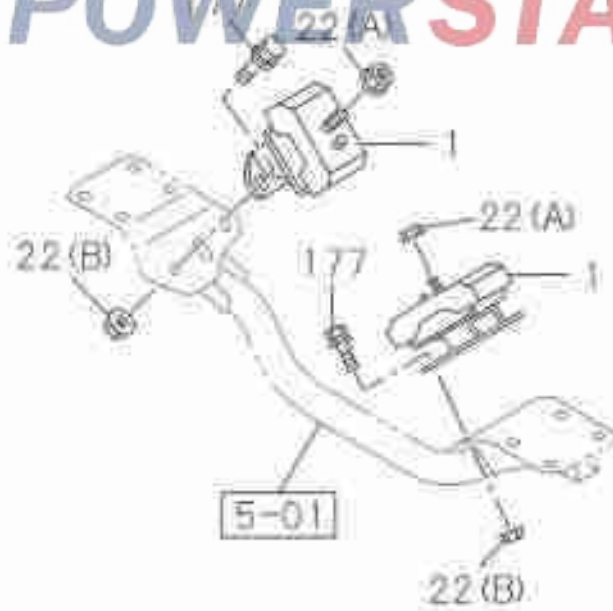
Engine installation

Figure No.

Front end



POWERSTAR

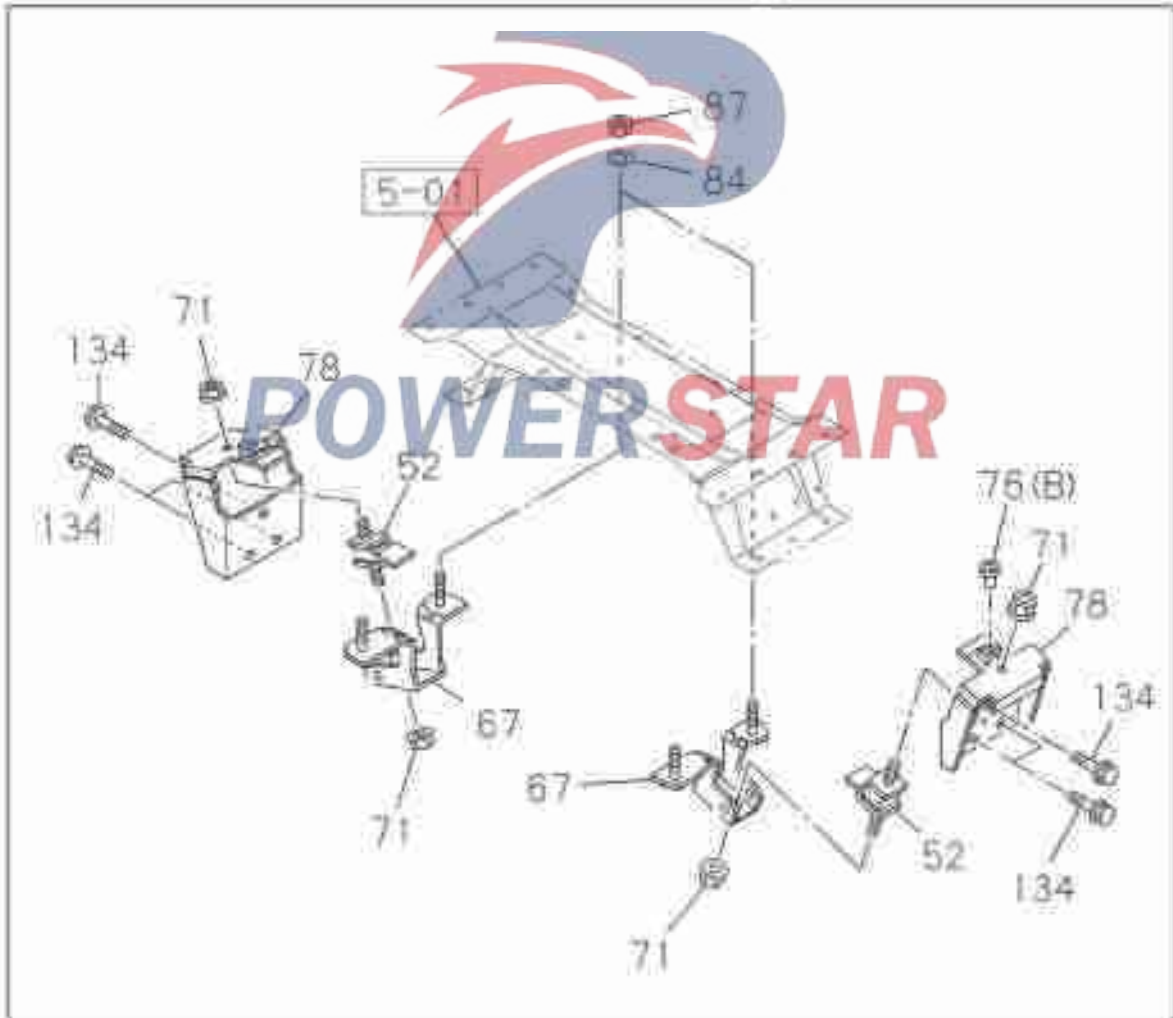
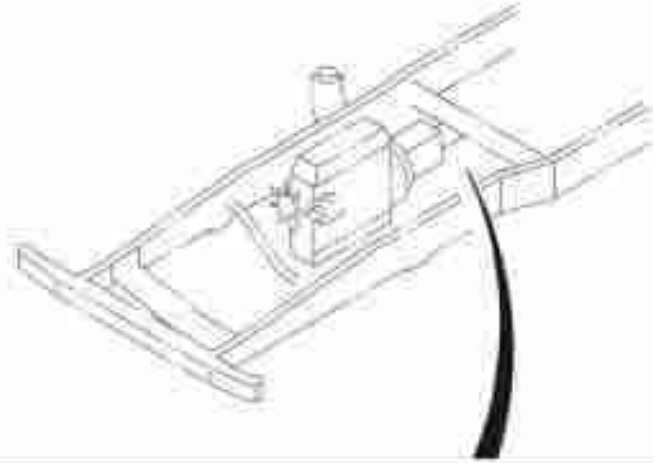


Engine installation

0-22

Rear end

Figure No.



0-22

Engine installation

Figure No.

N/S	Recommended specification / name of part				Applicable models / applicable status / notes
	Isuzu figure No.	QingLing figure No.	Left/Right	Qty.	
					4HK1-TCS Engine
1	Engine front suspension installation rubber pad assembly				
	8-97387-250-2		Left	01 A	(Left)
	8-98061-232-0		Right	01 A	(Right)
2	Engine front bracket				
	8-97228-669-2	1001311-P301		02 A	
20	Bolt-engine installation				
	0-28161-020-0			08 A	M10×20 Tape reel
22	Hexagon flange nut				
	0-91180-112-0	Q32012		02 A	(A) M12
	0-91180-210-0	Q32010T13		04 A	Nut (B) M10
52	Rubber cushion				
	8-97039-277-0	1001112-P301		02 A	
67	Rear suspension lower support assembly				
		1001140-P301	Left	01 A	
		1001150-P301	Right	01 A	

Engine installation

0-22

Figure No.

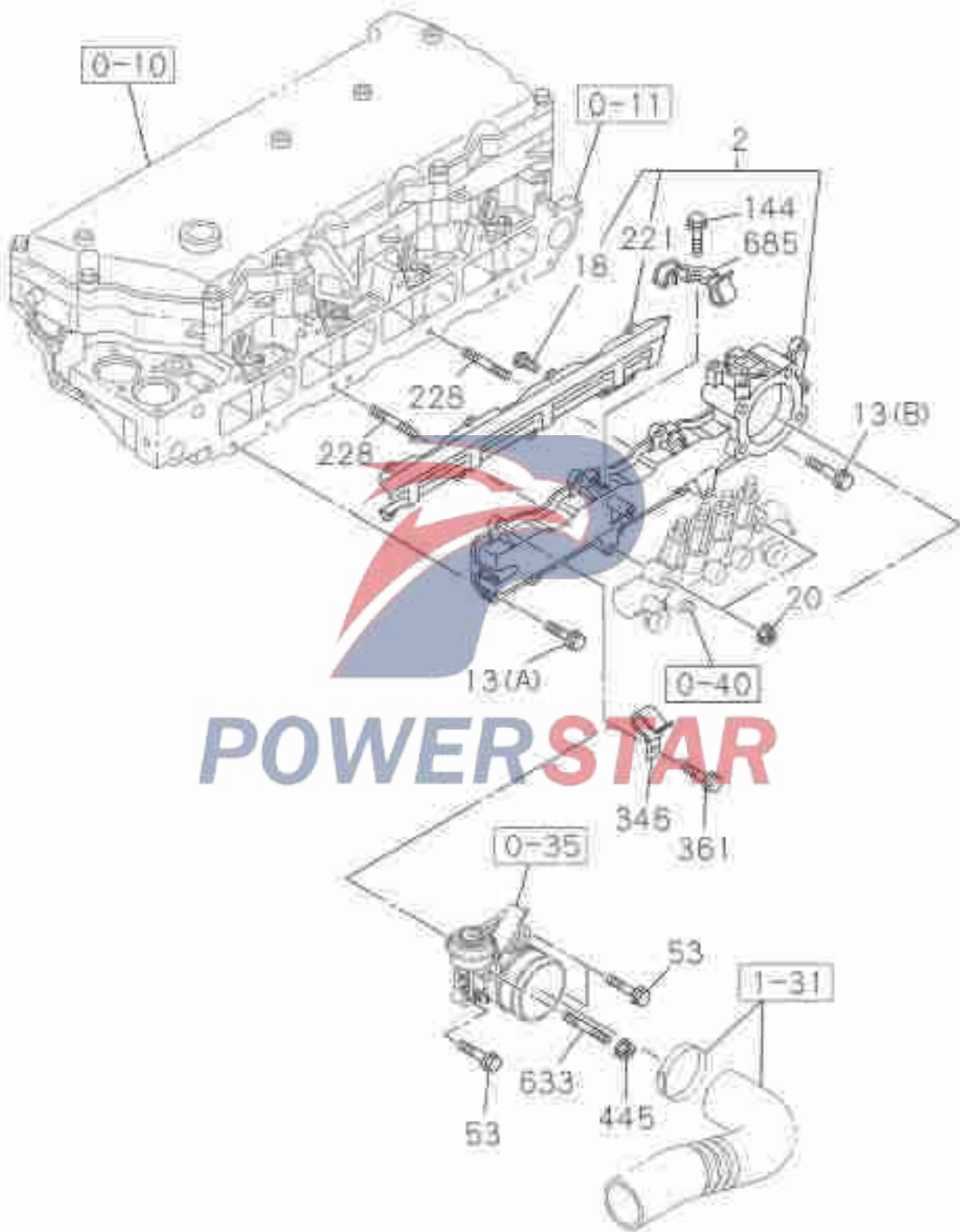
N/S	Recommended specification / name of part				
	Isuzu figure No.	QingLing figure No.	Left/Right	Qty.	Applicable models / applicable status / notes
					4HK1-TCS Engine
71	Hexagon flange nut				
	0-91180-110-0	Q32010		04 A	M10
78	Rear suspension support assembly				
		1001120-P301	Right	01 A	
		1001110-P301	Left	01 A	
84	Big washer				
	0-91614-810-0	Q40210		04 A	Inner diameter=10.5 Outer diameter=32
87	Hexagon flange nut				
	0-91180-110-0	Q32010		04 A	M10
134	Hexagon flange bolt				
	0-28751-225-0	Q1841225		06 A	M12×25
177	Bolt				
	8-94468-733-1	1001211-803		04 A	M10×37.5

0-25

Intake manifold

Figure No.

NO.1

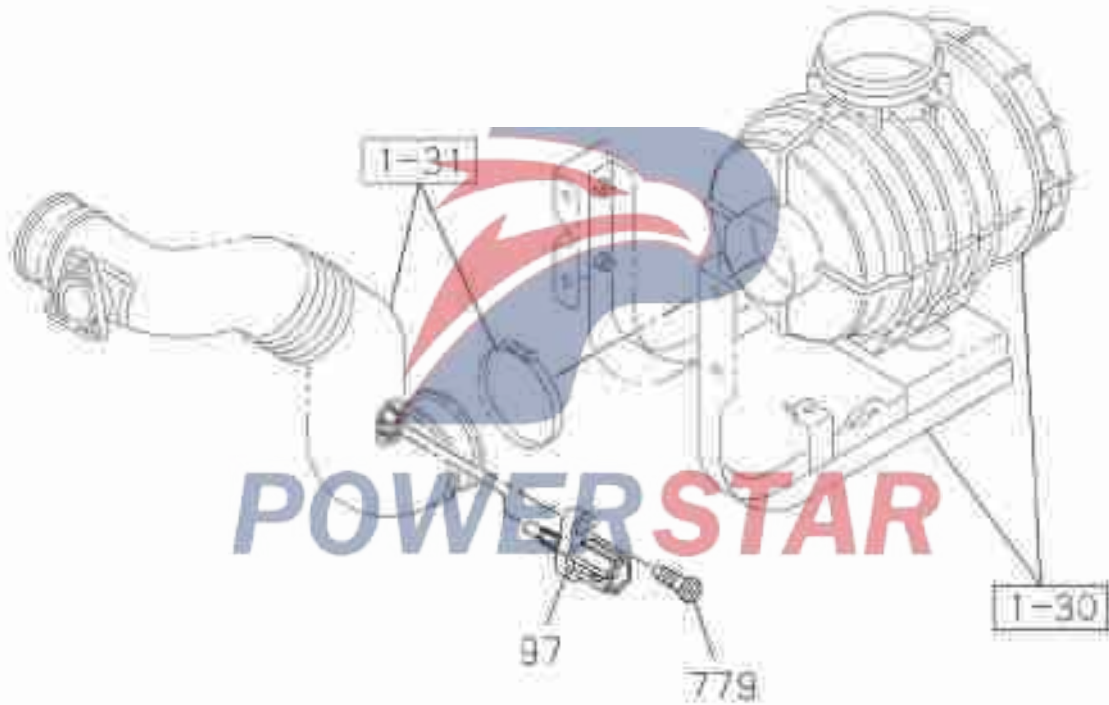


Intake manifold

NO.2

0-25

Figure No.



0-25

Intake manifold

Figure No.

N/S	Recommended specification / name of part				Applicable models / applicable status / notes
	Isuzu figure No.	QingLing figure No.	Left/Right	Qty.	
					40KI-TCS Engine
2	Intake manifold assembly				
	8-97387-038-0	1008010-P301		01	A
13	Flange bolts				
	0-28050-830-0	Q1840830		09	A
					(A) M8×30
	0-28050-880-0	Q1840880		01	A
					(B) M8×80
18	Screw				
	9-03490-610-0			09	A
					M6×10
20	Hexagon flange nut				
	0-91180-108-0	Q32008		02	A
					M8
53	Hexagon flange bolt				
	0-28650-830-0	Q1840830		02	A
					M8×30
97	Air sensor				
	8-12146-830-0			01	A

Intake manifold

0-25

Figure No.

N/S	Recommended specification / name of part				Applicable models / applicable status / notes
	Isuzu figure No.	QingLing figure No.	Left/Right	Qty.	
					JH41-TCS Engine
144	Hexagon flange bolt				
	0-28050-812-0	Q1840812		01 A	M8×12
221	Baffle-intake manifold				
	8-97379-202-0	1008021-P301		01 A	
228	Studs - intake manifold				
	8-97111-477-0			02 A	M8×117 Length=128
346	Clip - wire harness				
	5-09700-350-0	1002213-803		01 A	
361	Hexagon flange bolt				
	0-28050-812-0	Q1840812		01 A	M8×12
445	Hexagon flange nut				
	0-91180-108-0	Q32008		01 A	M8
633	Studs				
	9-09830-212-0			01 A	M8×71 Length=83

0-25

Intake manifold

Figure No.

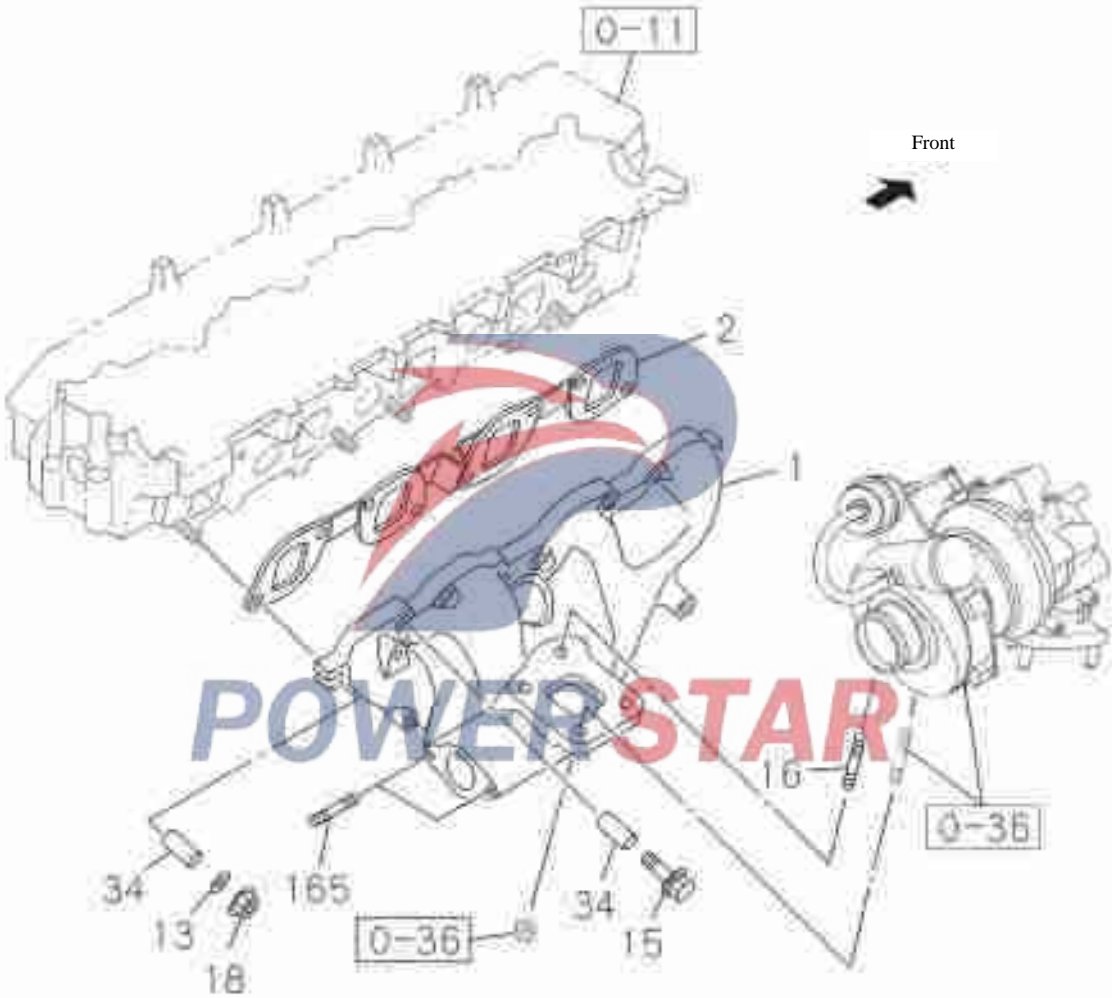
N/S	Recommended specification / name of part				Applicable models / applicable status / notes
	Isuzu figure No.	QingLing figure No.	Left/Right	Qty.	
					400K1-TCS Engine
685	----- Bracket				
	8-97331-921-1			01	A
779	----- Bolt-air sensor				
	0-36220-514-0			01	A
					M5×14



Exhaust manifold

0-27

Figure No.



0-27

Exhaust manifold

Figure No.

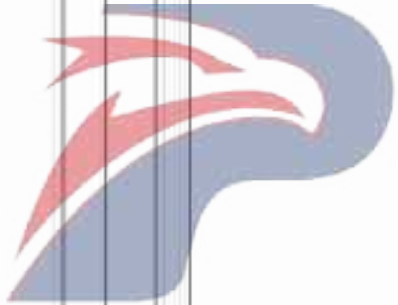
N/S	Recommended specification / name of part				Applicable models / applicable status / notes
	Isuzu figure No.	QingLing figure No.	Left/Right	Qty.	
					4HK1-TCS Engine
1	---	Exhaust manifold			
	8-98027-968-0	1008111-P301		01	A
2	---	Sealing gasket-exhaust manifold			
	8-97146-499-0			01	A
					Including in the repair kit of engine and cylinder sleeve
13	---	Gasket-exhaust manifold			
	1-09556-015-0			02	A
					Thickness = 2.2
15	---	Bolt - exhaust manifold			
	8-97061-543-0			06	A
					M10 × 60
16	---	Studs - exhaust manifold			
	9-04731-025-0	1008112-P301		02	A
					M10 × 25 Length=40
18	---	Nut-wedge bolt			
	0-91110-510-0	Q341C10T13F2		02	A
					M10
34	---	Spacer			
	8-97250-073-1			08	A
					Length=28

Exhaust manifold

0-27

Figure No.

N/S	Recommended specification / name of part				Applicable models / applicable status / notes
	Isuzu figure No.	QingLing figure No.	Left/Right	Qty.	
					4HK1-TCS Engine
165	----- Studs				
	8-94105-162-1	1207105-44		02	A M8×45 Length=57

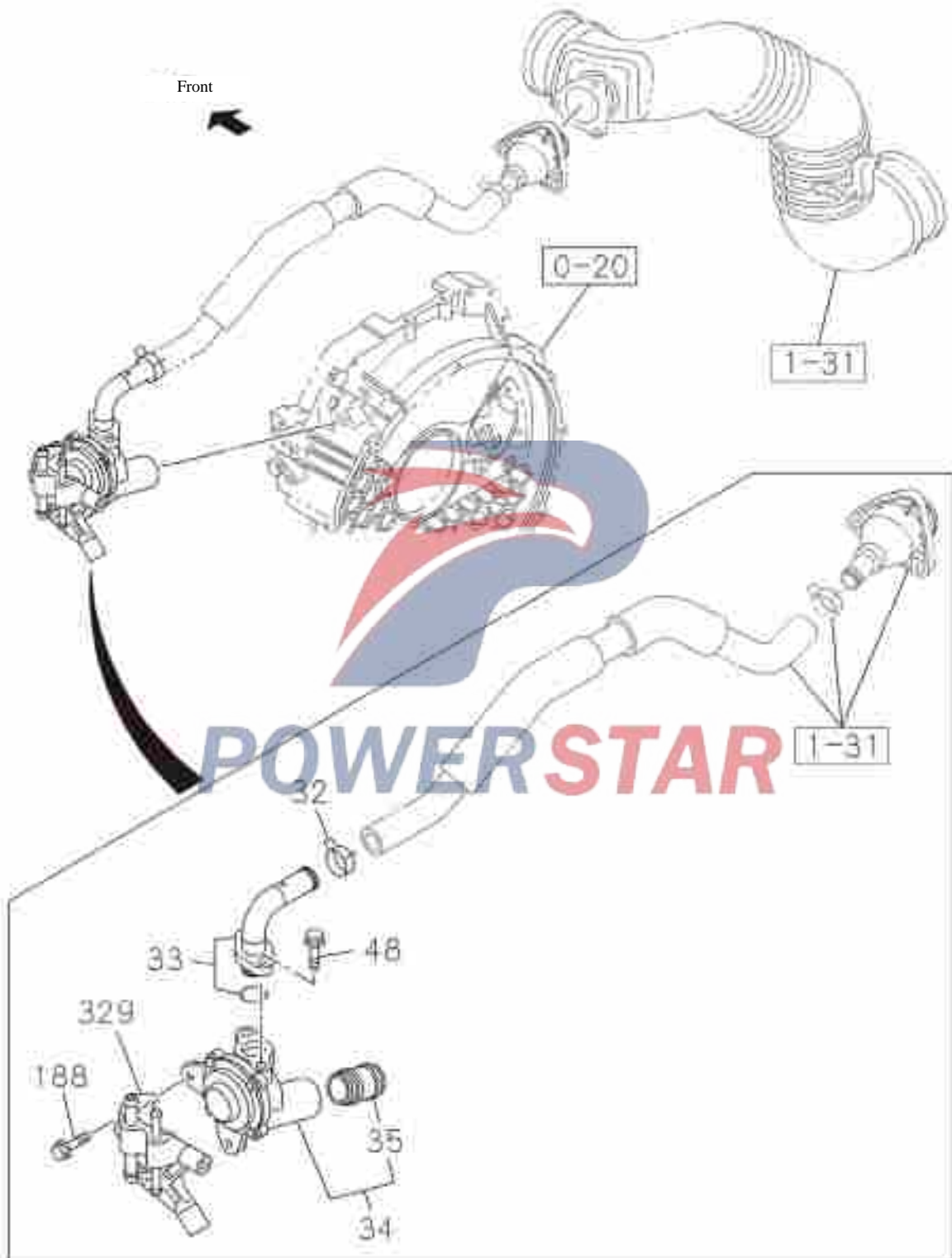


POWERSTAR

0-28

Crankcase ventilation system

Figure No.



Crankcase ventilation system

0-28

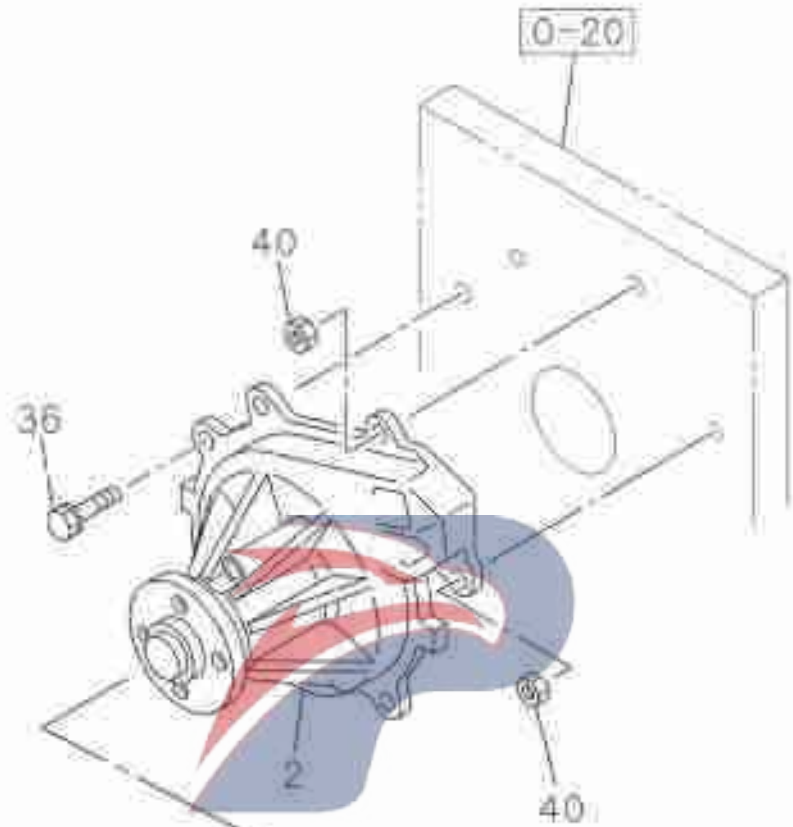
Figure No.

N/S	Recommended specification / name of part				
	Isuzu figure No.	QingLing figure No.	Left/Right	Qty.	Applicable models / applicable status / notes
					4HK1-TCS Engine
32	Clip				
	8-97203-074-0			01	A Inner diameter=21.7
33	Hard tube assembly-joint				
	8-98075-640-1	1014220-P301		01	A
34	Crankcase ventilation valve assembly				
	8-98036-808-1			01	A
35	Sealing gasket				
	8-98038-692-0			01	A
48	Hexagon flange bolt				
	0-28050-616-0	Q1840616		02	A M6×16
188	Hexagon flange bolt				
	0-28050-830-0	Q1840830		04	A M8×30
329	Bracket assembly				
	8-98036-160-0	1014210-P301		01	A

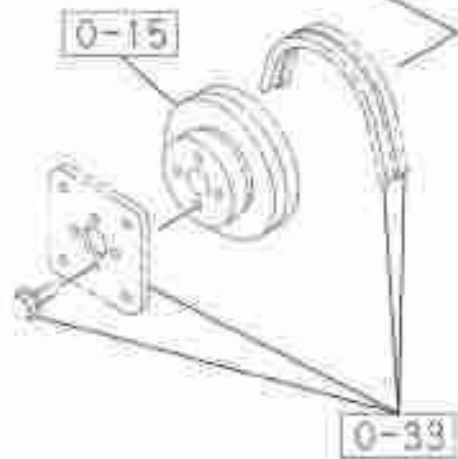
0-30

Water pump

Figure No.



POWERSTAR



Water pump

0-30

Figure No.

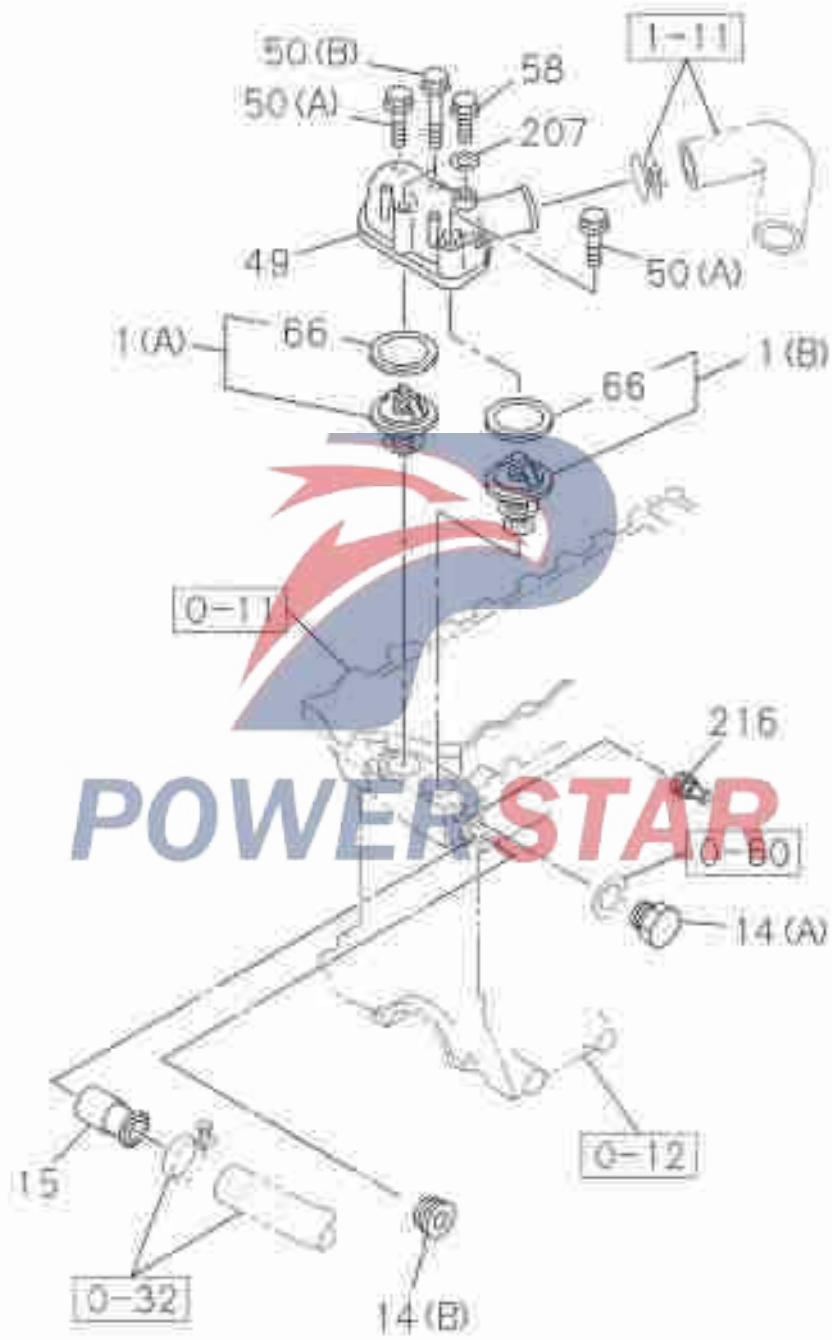
N/S	Recommended specification / name of part				Applicable models / applicable status / notes
	Isuzu figure No.	QingLing figure No.	Left/Right	Qty.	
					40K1-TCS Engine
2					Water pump assembly
	8-97363-478-0			01	A
36					Flange bolts
	0-28650-840-0	Q1840840		06	A
					M18x40
40					Hexagon flange nut
	0-91180-108-0	Q32008		02	A
					M8

POWERSTAR

0-31

Thermostat and its housing

Figure No.



Thermostat and its housing

0-31

Figure No.

N/S	Recommended specification / name of part				Applicable models / applicable status / notes
	Isuzu figure No.	QingLing figure No.	Left/Right	Qty.	
					4HK1-TCS Engine
1	Thermostat				
	8-97300-787-2			01	A (A) 85°C
	8-97300-790-2			01	A (B) 82°C
14	Oil bleeder screw plug				
	5-09605-005-0	1303144-44		01	A (B) PT3/8
	9-09661-005-0			01	A (A) Blockage M16×8
15	Water pipe				
	8-94342-574-0	1306020-P301		01	A
49	Outlet pipe				
	8-97329-914-0	1306031-P301		01	A
50	Bolt				
	0-28650-825-0	Q1840825		02	A Hexagon flange bolt (A) M8×25

0-31

Thermostat and its housing

Figure No.

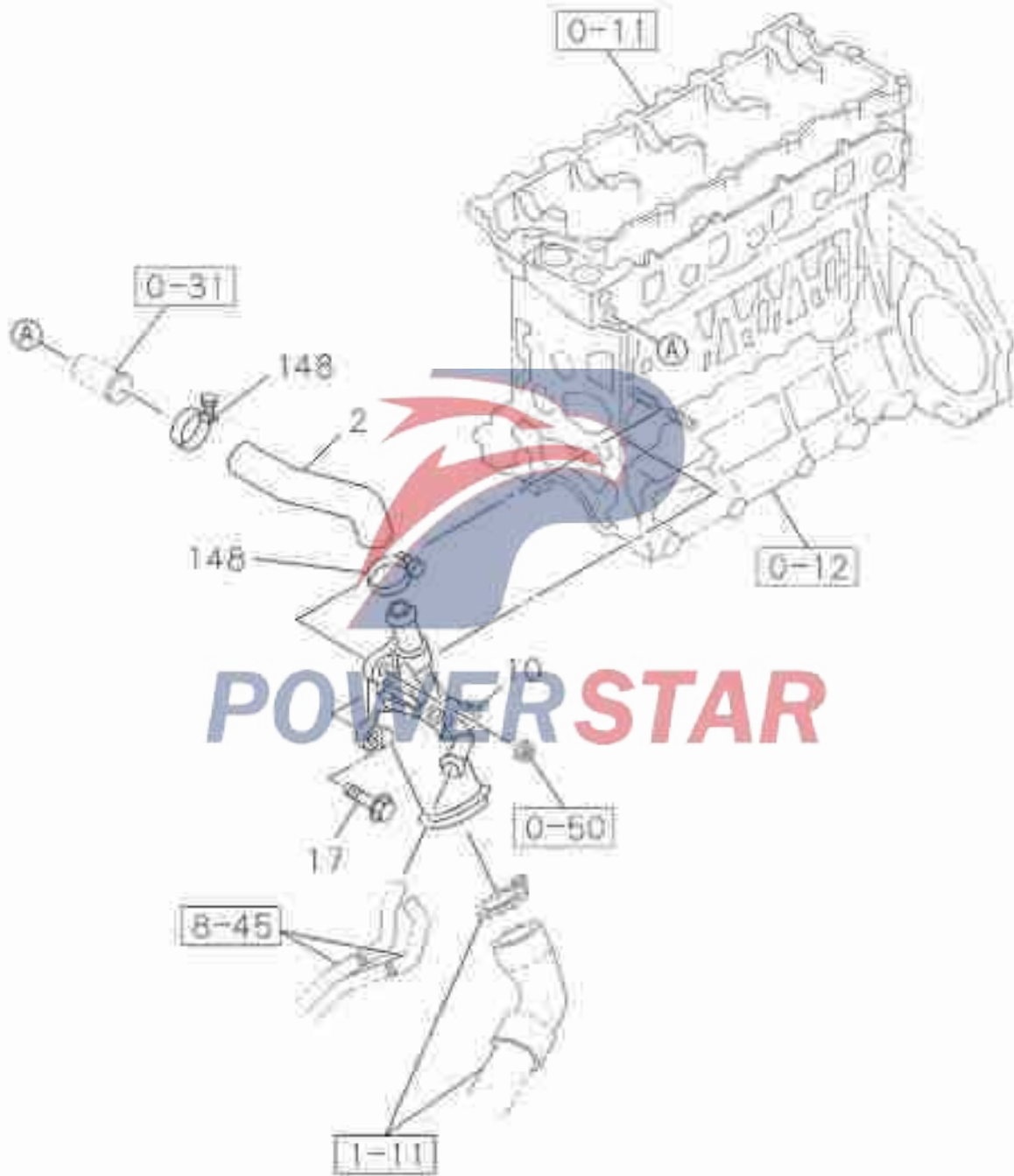
N/S	Recommended specification / name of part				Applicable models / applicable status / notes
	Isuzu figure No.	QingLing figure No.	Left/Right	Qty.	
					JH41-TCS Engine
50	----- Bolt				
	1-09044-072-1			02	A Bolt (B) M8x65 Tape reel
58	----- Blockage				
	8-97021-211-1			01	A M8x16
66	----- Sealing gasket				
	8-97300-793-0			02	A Including in the repair kit of engine and cylinder sleeve
207	----- Sealing gasket				
	1-09630-082-0			01	A Including in the major repair kit of engine Inner diameter=8.2 Outer diameter=13.2
216	----- Hard tube assembly-turbocharger water return				
	8-97358-699-0	1306040-P301		01	A

Engine water pipes

NO.1

0-32

Figure No.

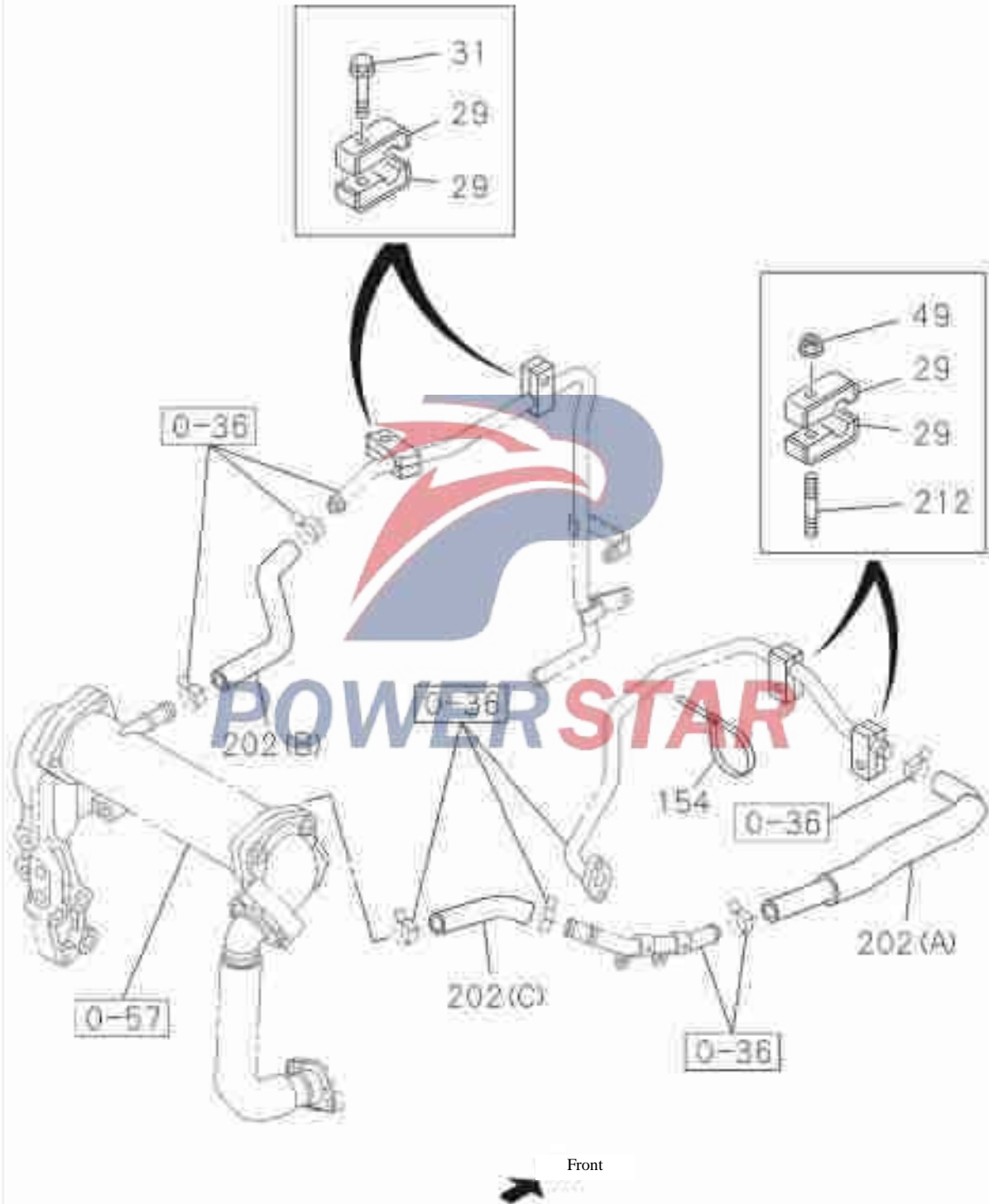


0-32

Engine water pipes

Figure No.

NO.2



Engine water pipes

0-32

Figure No.

N/S	Recommended specification / name of part				Applicable models / applicable status / notes
	Isuzu figure No.	QingLing figure No.	Left/Right	Qty.	
					JH41-TCS Engine
2	----- Bypass hose				
	8-97379-228-1	1306161-P301		01	A
10	----- Water inlet pipe assembly				
	8-97371-775-1	1306120-P301		01	A
17	----- Bolt-air inlet pipes				
	8-94458-473-1			01	A M8×48
29	----- Clip				
	1-09701-284-0			08	A
31	----- Flange bolts				
	0-28050-840-0	Q1840840		02	A M8×40
49	----- Hexagon flange nut				
	0-91180-108-0	Q32008		02	A M8
148	----- Clip-bypass hose				
	9-09915-315-1			02	A

0-32

Engine water pipes

Figure No.

N/S	Recommended specification / name of part				Applicable models / applicable status / notes
	Isuzu figure No.	QingLing figure No.	Left/Right	Qty.	
					4HK1-TCS Engine
154	Clip				
	1-09987-182-0	3724568-803		01	A length=170.3
202	Hose				
	8-97386-347-1	1306090-P301		01	A Water inlet hose-EGR (A)
	8-97386-586-1	1306111-P301		01	A Water outlet hose-EGR (B)
	8-97386-348-0	1306100-P301		01	A Water inlet hose-EGR (C)
212	Studs				
	8-94217-227-0			02	A

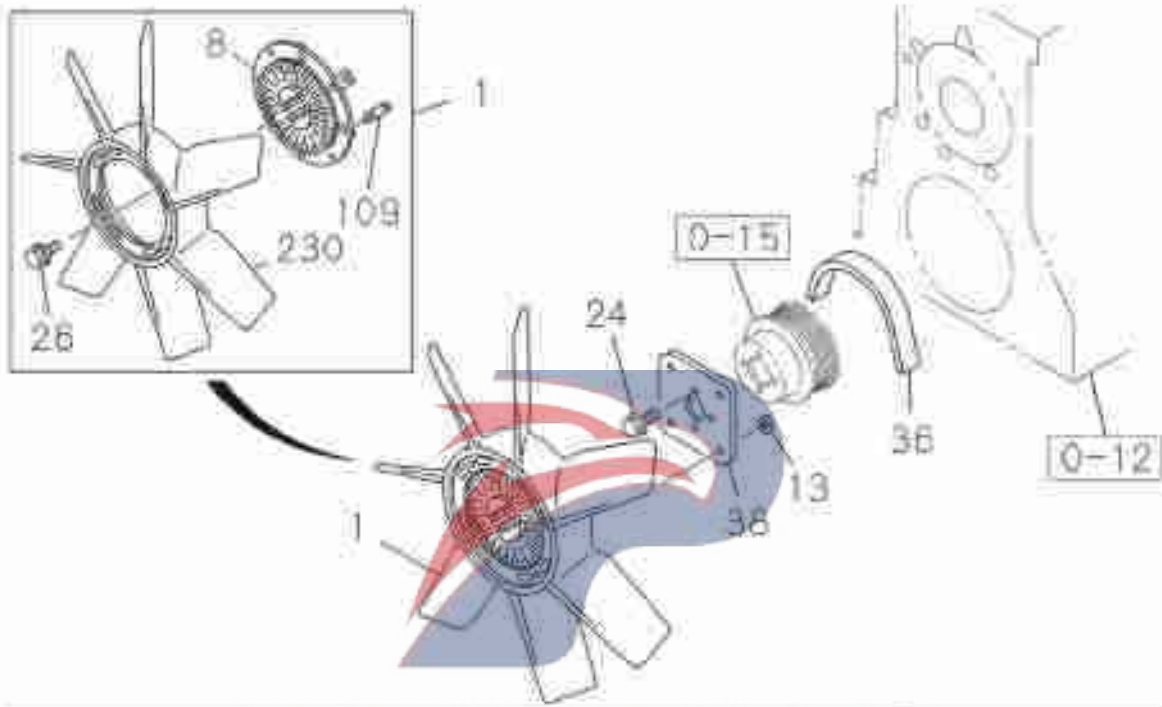
POWERSTAR

Fan and fan belt

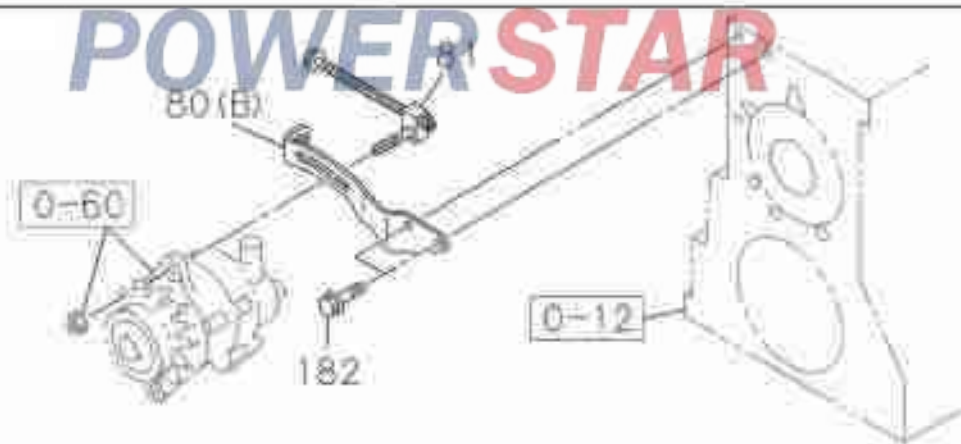
0-33

NO.1

Figure No.



Engine

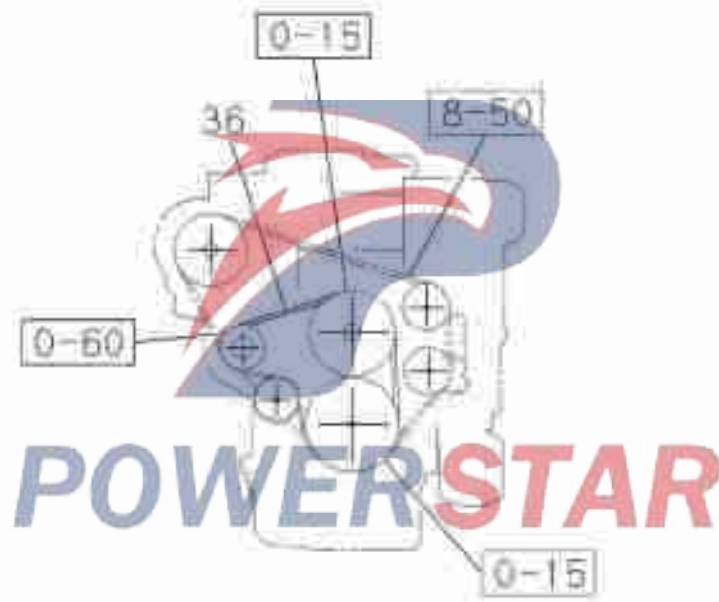


0-33

Fan and fan belt

Figure No.

NO.2



Fan and fan belt

0-33

Figure No.

N/S	Recommended specification / name of part				Applicable models / applicable status / notes
	Isuzu figure No.	QingLing figure No.	Left/Right	Qty.	
					4HK1-TCS Engine
1					Fan assembly
	8-98003-191-0			01 A	Outer diameter = 510
8					Fan clutch
	8-98019-743-0			01 A	
13					Hexagon flange nut-fan
	0-91180-108-0	Q32008		04 A	M8
24					Bolt - fan
	0-28080-818-0			04 A	M8×18 Tape reel
26					Bolt - fan and clutch
	8-94389-764-0			04 A	
36					Fan belt
	8-98003-187-0			01 A	Length=1046
38					Fan mounting plate
	8-97108-643-0	1308331-P301		01 A	
80					Belt tensioner support
	8-98035-085-0	3724751-P301		01 A	Generator 24V50A (B)

0-33

Fan and fan belt

Figure No.

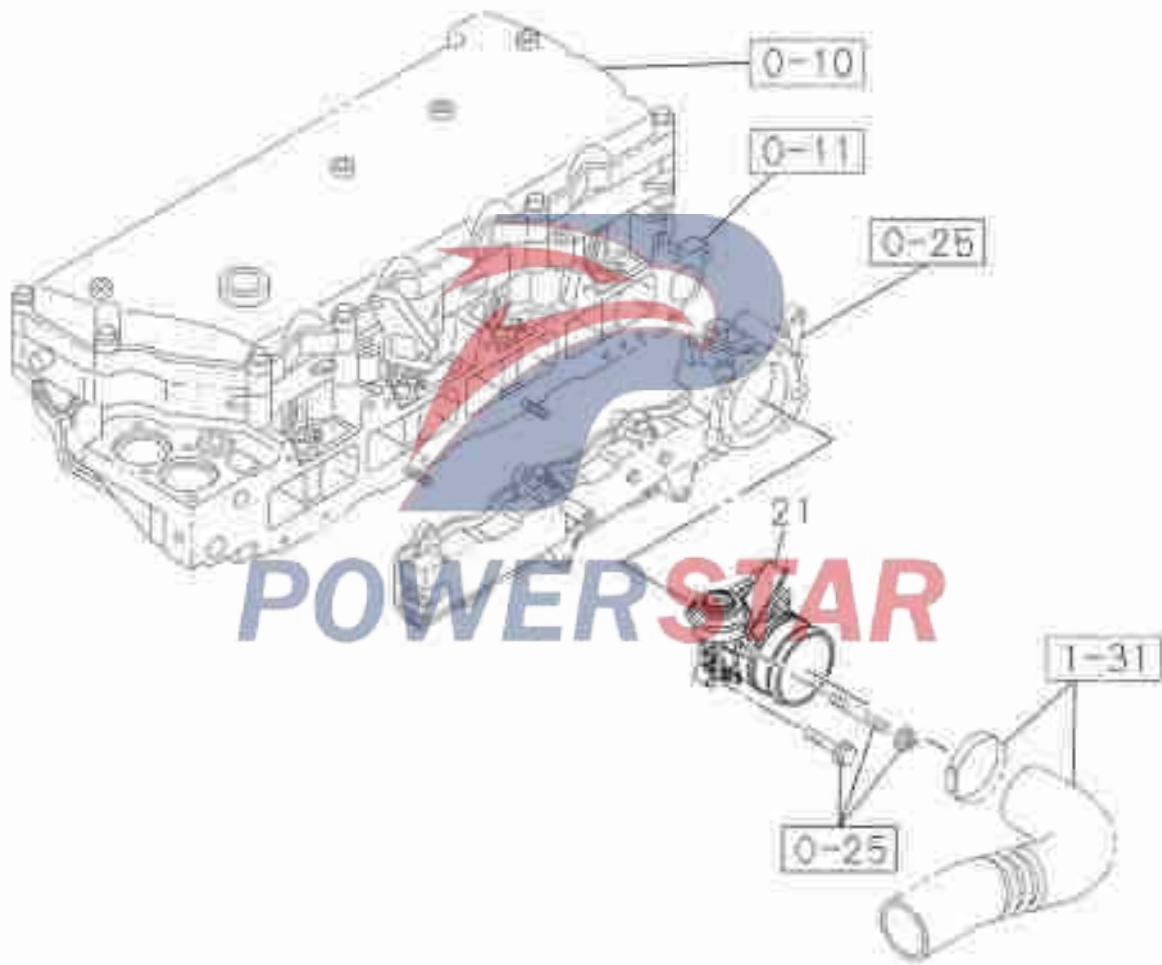
N/S	Recommended specification / name of part				Applicable models / applicable status / notes
	Isuzu figure No.	QingLing figure No.	Left/Right	Qty.	
					4HK1-TCS Engine
81	Adjusting plate assembly				
	8-98075-762-0	3701110-P301		01	A
109	Studs - Fan				
	8-97049-577-1			04	A
					M8×13.5 Length=22
182	Hexagon flange bolt				
	0-28650-835-0	Q1840835		02	A
					M8×35
230	Fan				
	8-97367-381-0			01	A

POWERSTAR

Throttle valve

0-35


Figure No.



0-35

Throttle valve

Figure No.

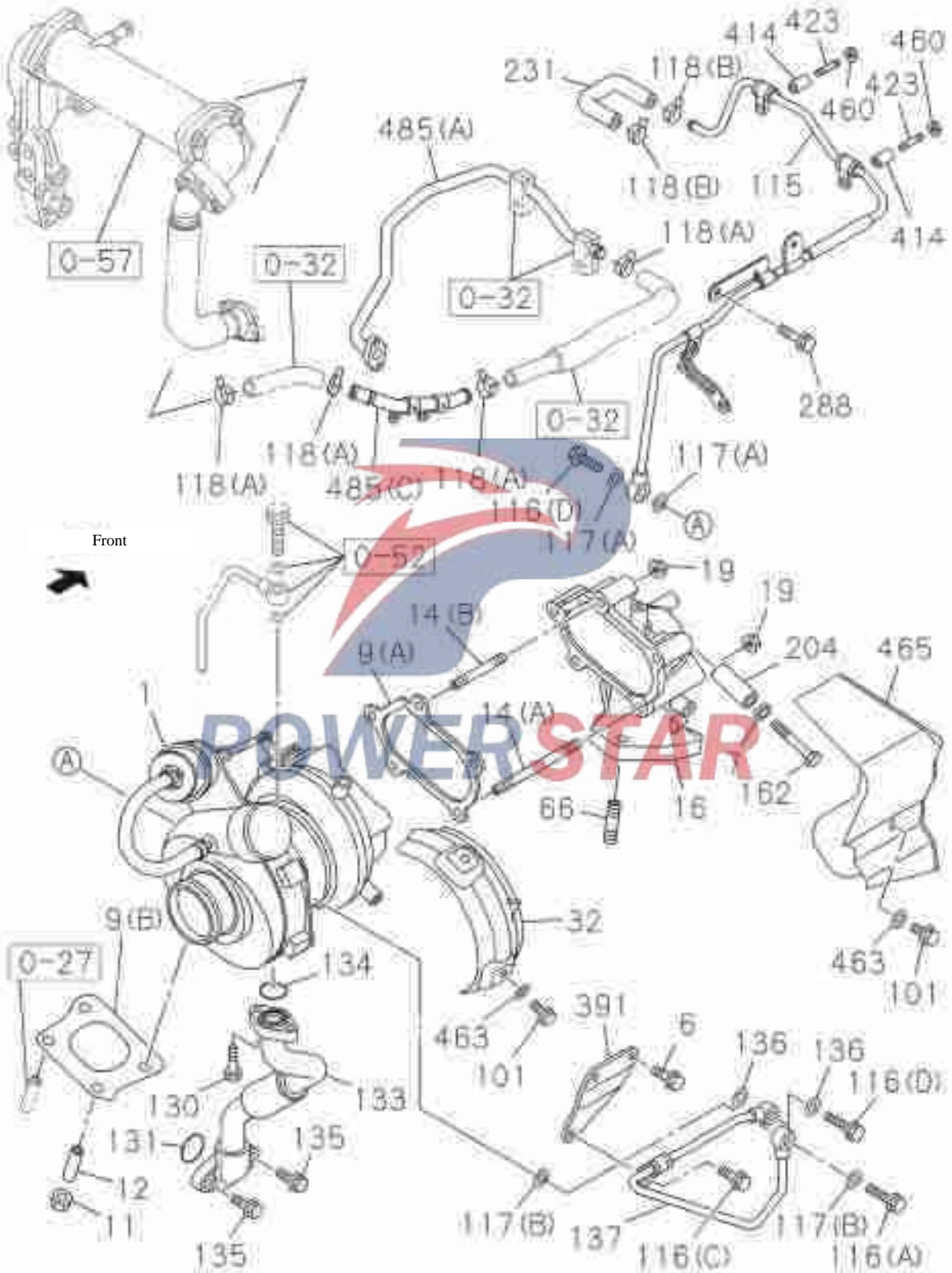
N/S	Recommended specification / name of part			
	Isuzu figure No.	QingLing figure No.	Left/Right	Qty.
				Applicable models / applicable status / notes
				A HUKI-TCS Engine
21	8-98070-946-2			01 A
				

Turbosupercharging system

0-36

NO.1

Figure No.



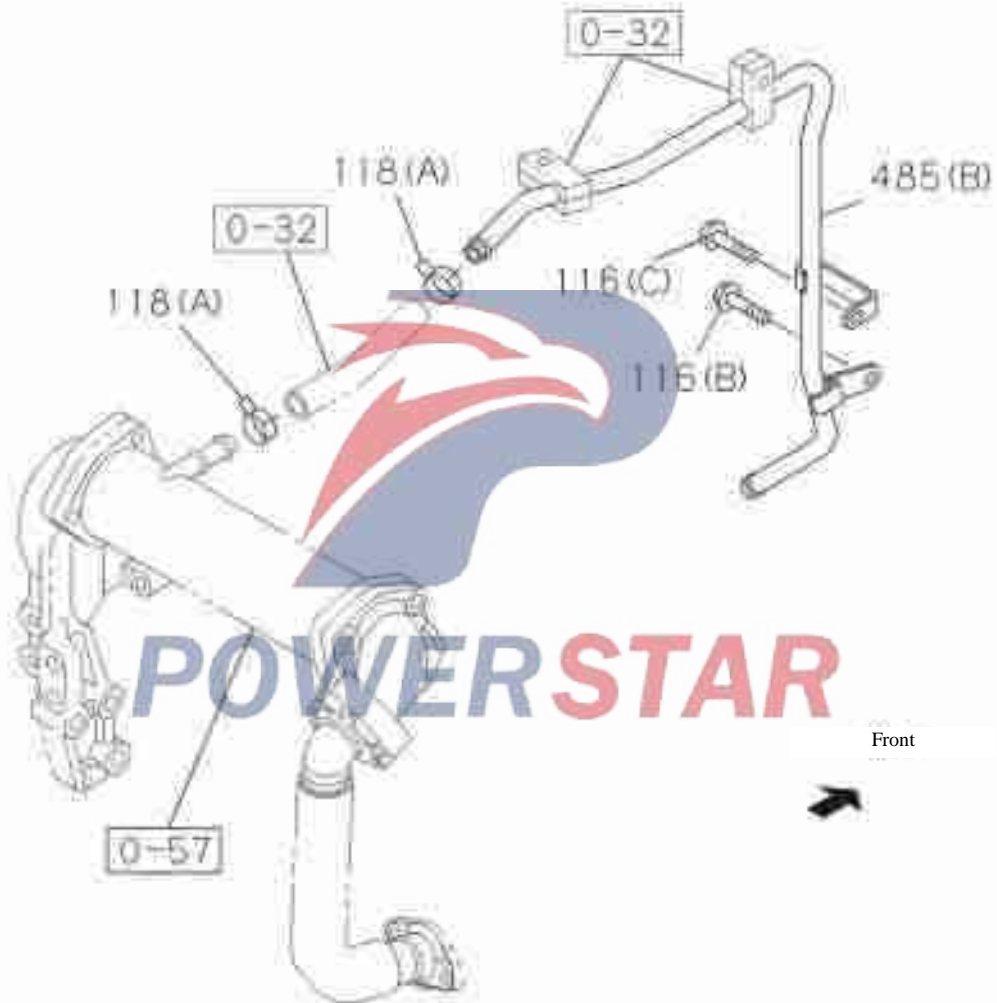
Front

0-36

Turbosupercharging system

Figure No.

NO.2

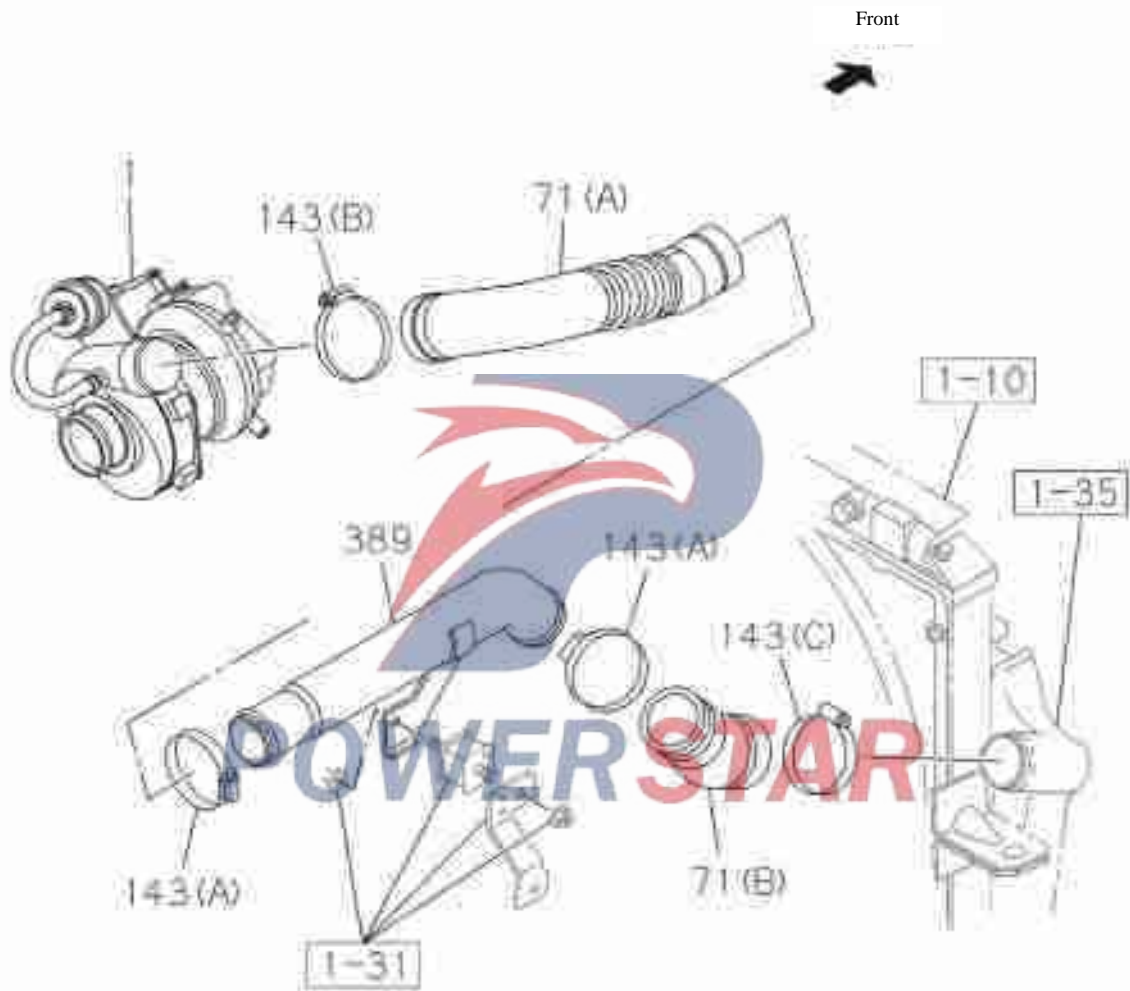


Turbosupercharging system

0-36

NO.3

Figure No.



0-36

Turbosupercharging system

Figure No.

N/S	Recommended specification / name of part				Applicable models / applicable status / notes
	Isuzu figure No.	QingLing figure No.	Left/Right	Qty.	
					4HK1-TCS Engine
1	Turbocharger assembly				
	8-98000-031-1	1118010-P301		01	A
6	Bolt				
	0-28050-816-0	Q1840816		02	A
					M8*16 Tape reel
7	Flat gasket				
	8-94174-537-0	1303137-44		01	A
					Inside diameter =18 Thickness = 3
9	Sealing gasket				
	8-97039-777-1			01	A
					(A)
	8-97374-412-0			01	A
					(B)
11	Nut-turbocharger				
	9-09842-007-0			04	A
					M10 P=1.5 Height=8
12	Studs-turbocharger				
	9-04731-028-0			02	A
					M10*28

Turbosupercharging system

0-36

Figure No.

N/S	Recommended specification / name of part				
	Isuzu figure No.	QingLing figure No.	Left/Right	Qty.	Applicable models / applicable status / notes
					4HK1-TCS Engine
14	Studs				
	8-97019-477-0			02	A (A) M8×94 length=108
	8-97019-478-0			03	A (B) M8×49 length=63
16	Supercharger joint				
	8-97039-749-1	1118221-P301		01	A
19	Nut				
	8-94170-486-0			05	A
32	Heat insulating plate				
	8-97351-168-0	1118321-P301		01	A
66	Studs				
	0-44011-025-0			03	A M10×25 Length=40
71	Rubber hose				
	8-98059-964-0	1109211-P301		01	A (A)
	8-98067-806-0	1109221-P301		01	A (B)

0-36

Turbosupercharging system

Figure No.

N/S	Recommended specification / name of part				Applicable models / applicable status / notes
	Isuzu figure No.	QingLing figure No.	Left/Right	Qty.	
					4HK1-TCS Engine
101	----- Bolt				
	8-97108-669-0			04	A M6×10
115	----- Hard tube assembly-turbocharger water outlet				
	8-97358-699-0	1306040-P301		01	A
116	----- Bolt				
	1-09675-081-0			02	A (A) M12×24 Eye bolt
	0-28050-816-0	Q1840816		01	A (B) M8×16 Tape reel
	0-28650-820-0			05	A (C)
	8-94455-144-0			02	A (D) M10×20 Hexagon flange bolt
117	----- Sealing gasket				
					M14×30 Eye bolt
	9-09571-412-0			02	A Including in the major repair kit of engine (A) Inner diameter=12.2

Turbosupercharging system

0-36

Figure No.

N/S	Recommended specification / name of part				Applicable models / applicable status / notes
	Isuzu figure No.	QingLing figure No.	Left/Right	Qty.	
117	----- Sealing gasket				
	9-09571-414-0			02 A	(B) Inner diameter=14.2 Outer diameter=20.0
118	----- Clip				
	1-09707-084-1			06 A	(A) Inner diameter=20
	8-94221-519-0	1303151-44		02 A	(B) Inner diameter=15.5
130	----- Bolt				
	0-50040-622-0			02 A	M6x20
131	----- O-ring				
	9-09566-228-0			01 A	Including in the major repair kit of engine Inner diameter=27.7
133	----- Hard tube assembly-turbocharger oil return				
	8-97148-925-1	1118130-P301		01 A	

0-36

Turbosupercharging system

Figure No.

N/S	Recommended specification / name of part				Applicable models / applicable status / notes
	Isuzu figure No.	QingLing figure No.	Left/Right	Qty.	
					4HK1-TCS Engine
134	O-ring				Including in the major repair kit of engine
	1-09623-462-0			01 A	Inner diameter=22.8
135	Hexagon flange bolt				
	0-28050-820-0			02 A	M8*20
136	Sealing gasket				Including in the major repair kit of engine
	1-09630-085-0			02 A	Inner diameter=14.2 Outer diameter=19.2
137	Hard tube assembly-turbocharger water inlet				
	8-98063-840-0	1306170-P301		01 A	
143	Hoop				
	1-09707-135-0	1109231-P301		01 A	(B) Inside diameter =50-69
	1-09707-202-0	1109117-44		01 A	(C) Inside diameter =68-85
	1-09707-203-0	1109115-44		02 A	(A) Inside diameter =58-76

Turbosupercharging system

0-36

Figure No.

N/S	Recommended specification / name of part				
	Isuzu figure No.	QingLing figure No.	Left/Right	Qty.	Applicable models / applicable status / notes
					A
					4HK1-TCS Engine
162	----- Bolt				
	5-09000-275-0			01 A	M8×57
204	----- Circlip				
	8-97214-384-1			01 A	
231	----- Return pipe -turbocharger				
	8-97209-950-0	1306051-P301		01 A	
288	----- Hexagon flange bolt				
	0-28050-812-0	Q1840812		03 A	M8×12
389	----- Intake pipe assembly, turbocharger				
	8-98042-688-1	1118160-P301		01 A	
391	----- Bracket				
	8-97371-730-0	1306181-P301		01 A	
414	----- Spacer				
	1-11369-081-0			02 A	M8×10
423	----- Studs				
	8-94217-227-0			02 A	

0-36

Turbosupercharging system

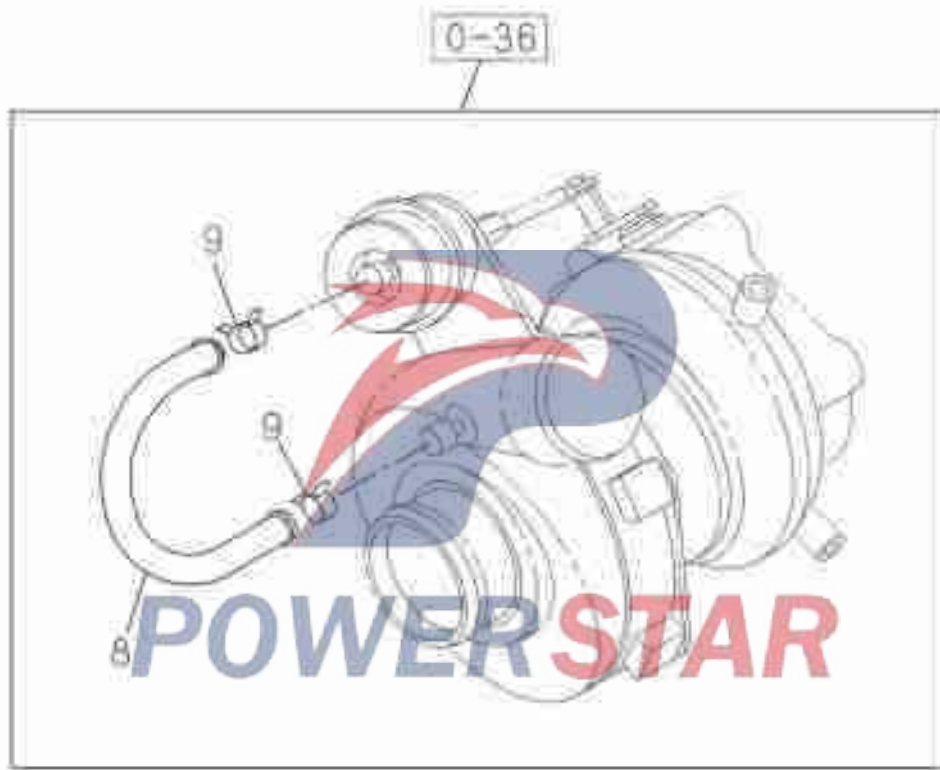
Figure No.

N/S	Recommended specification / name of part				Applicable models / applicable status / notes
	Isuzu figure No.	QingLing figure No.	Left/Right	Qty.	
					4HK1-TCS Engine
460	Hexagon flange nut				
	0-91180-108-0			02	A M8
463	Flat gasket				
	0-91610-706-0			04	A Inner diameter=6.4 Outer diameter=18
465	Heat insulating plate				
	8-97351-167-0	1118331-P301		01	A
485	Hard tube assembly				
	8-97376-773-0	1306060-P301		01	A Hard tube assembly-EGR cooler water inlet (A)
	8-98041-637-1	1306080-P301		01	A Hard tube assembly-EGR cooler water return (B)
	8-98064-164-0	1306070-P301		01	A Hard tube assembly-EGR cooler water inlet (C)

Turbosupercharger

0-37

Figure No.



0-37

Turbosupercharger

Figure No.

Recommended specification / name of part

General drawing No. / quantity / notes

N/S

Isuzu figure
No.
(Application
date/interchangeability)

8980000311

8

----- Hose-turbocharger

8-97375-933-0 | 01 |

9

----- Clip-turbocharger

8-97213-592-0 | 02 |



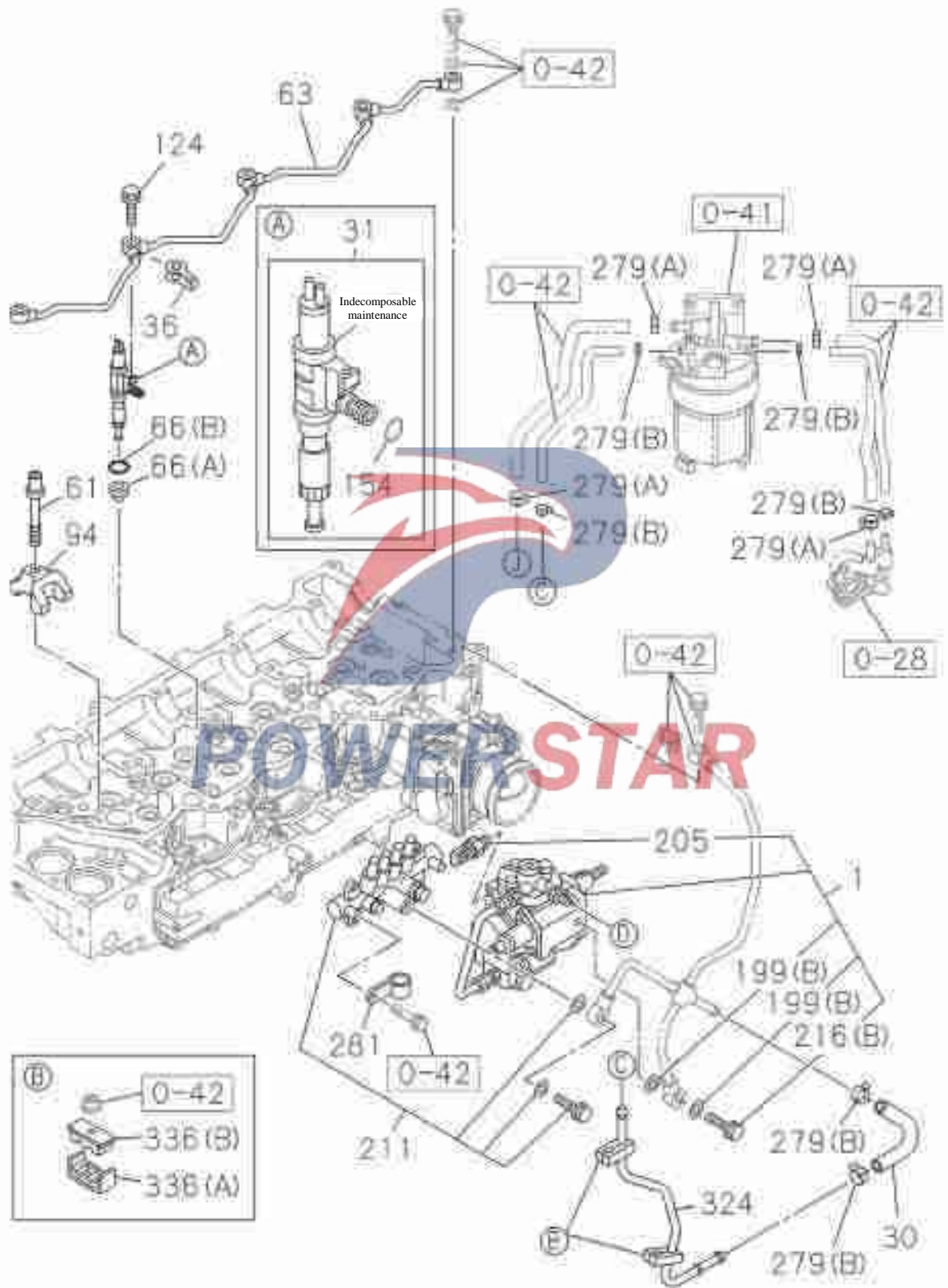
POWERSTAR

Fuel injection system

0-40

NO.1

Figure No.

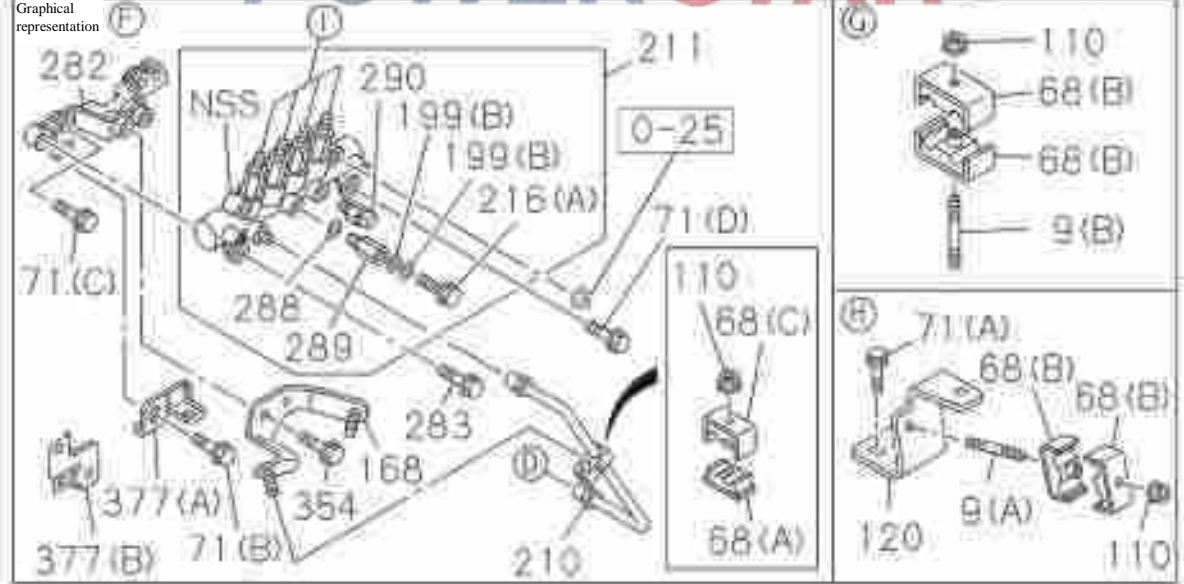
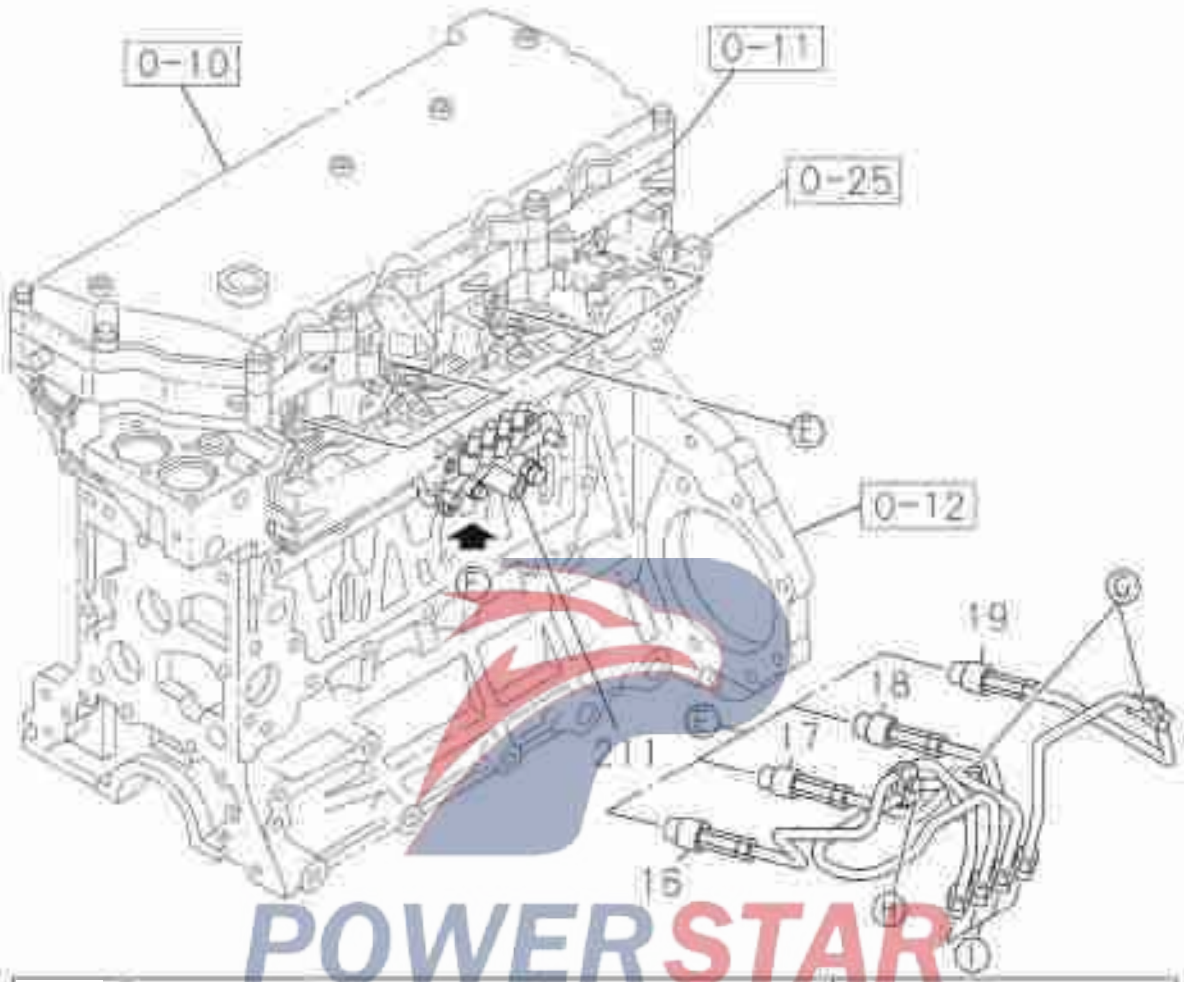


0-40

Fuel injection system

Figure No.

NO.2

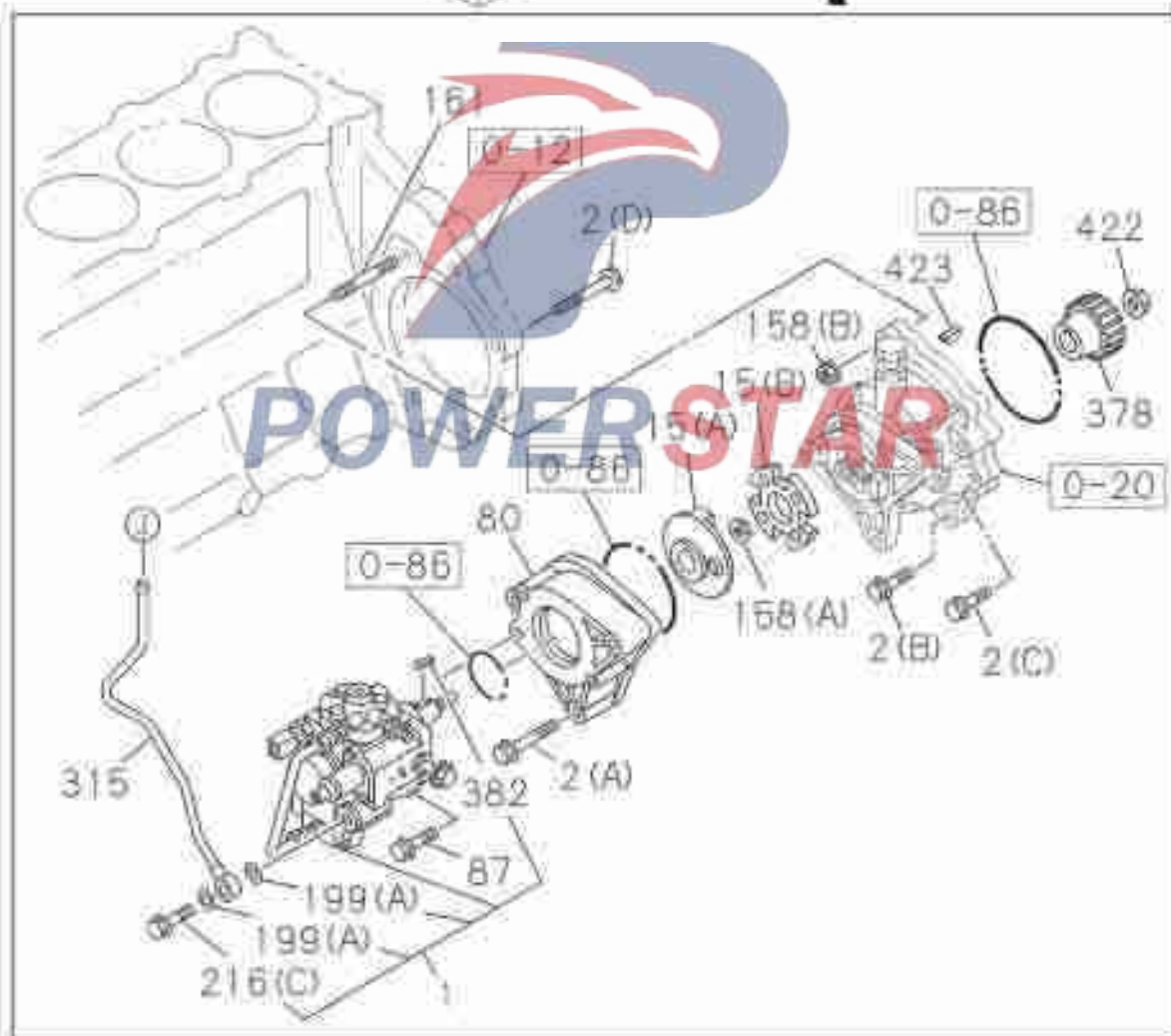
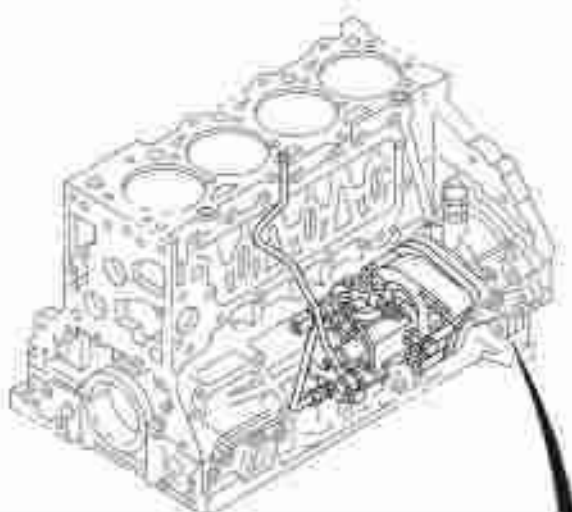


Fuel injection system

NO.3

0-40

Figure No.



0-40

Fuel injection system

Figure No.

N/S	Recommended specification / name of part				Applicable models / applicable status / notes
	Isuzu figure No.	QingLing figure No.	Left/Right	Qty.	
					4HK1-TCS Engine
1	High-pressure pump				
	8-97386-557-1			01	A
2	Flange bolts				
	0-28051-060-0	Q1841060		03	A
					(A) M10*60
	0-28151-070-0			01	A
					(B) M10*70 Bolt
	0-28151-270-0			01	A
					(C) M12*70 Bolt
	8-94396-485-1			01	A
					(D) M12*95 Bolt
9	Studs				
	0-41010-630-0			02	A
					(B) M6 x30 Length=38
	8-97203-278-0			01	A
					(A) M6 x35 Length=43

Fuel injection system

0-40

Figure No.

N/S	Recommended specification / name of part				Applicable models / applicable status / notes
	Isuzu figure No.	QingLing figure No.	Left/Right	Qty.	
					40K1-TCS Engine
15	----- Coupling				
	8-97306-054-0			01	A (A)
	8-97306-059-0			01	A (B)
16	----- High pressure fuel pipe of 1st cylinder				
	8-98039-934-0			01	A
17	----- High pressure fuel pipe of 2nd cylinder				
	8-98039-935-0			01	A
18	----- High pressure fuel pipe of 3rd cylinder				
	8-98039-936-0			01	A
19	----- High pressure fuel pipe of 4th cylinder				
	8-98039-937-0			01	A
30	----- Oil return hose				
	8-98036-320-1			01	A
31	----- Fuel injector assembly				
	8-97609-788-3			04	A

0-40

Fuel injection system

Figure No.

N/S	Recommended specification / name of part				Applicable models / applicable status / notes
	Isuzu figure No.	QingLing figure No.	Left/Right	Qty.	
					4HK1-TCS Engine
36	----- Sealing gasket				Including in the repair kit of engine and cylinder cover Inner diameter=8.3
	8-97600-925-0			04 A	
61	----- Bolt				M8*54
	8-98008-895-0			04 A	
63	----- Hard tube assembly-return				M8*54
	8-97306-081-0	1117130-P301		01 A	
66	----- O-ring				Including in the repair kit of engine and cylinder cover (B) Inner diameter=23.3
	8-94173-412-0			04 A	
	8-97601-447-2			04 A	
					Sealing gasket (A) Inside diameter =9.2 Thickness = 8.1
68	----- Clip				(C) (A) (B)
	1-09701-195-3			01 A	
	1-09701-196-2			01 A	
	8-98039-293-0			06 A	

Fuel injection system

0-40

Figure No.

N/S	Recommended specification / name of part				Applicable models / applicable status / notes
	Isuzu figure No.	QingLing figure No.	Qty.	Left/Right	
71	Hexagon flange bolt				
	0-28050-610-0	Q1840610	03	A	(B) M6*10
	0-28050-816-0	Q1840816	01	A	(A) M8*16
	0-28050-840-0	Q1840840	01	A	(C) M8*40
	0-28050-850-0	Q1840850	01	A	(D) M8*50
80	Bracket-high pressure pump				
	8-98061-699-0		01	A	
87	Hexagon flange bolt				
	0-28650-830-0	Q1840830	03	A	M8*30
94	Bracket-nozzle				
	8-98028-999-0		04	A	
110	Hexagon flange nut				
	0-91180-106-0	Q32006	04	A	M6

0-40

Fuel injection system

Figure No.

N/S	Recommended specification / name of part				
	Isuzu figure No.	QingLing figure No.	Left/Right	Qty.	Applicable models / applicable status / notes
					4HK1-TCS Engine
120	-----	Bracket			
	8-98041-601-0			01	A
124	-----	Bolt			
	1-09675-037-1			04	A
					M8*18 Eye bolt
154	-----	O-ring			
	9-09561-111-0			04	A
					Inner diameter=11.0
158	-----	Hexagon flange nut			
	0-91180-110-0	Q32010		02	A
					(B) M10
	0-91180-114-0			01	A
					(A) M14
161	-----	Studs			
	8-97363-237-0			02	A
					M10 ×46.5 Length=58.5
168	-----	Bracket			
	8-98036-175-1			01	A

Fuel injection system

0-40

Figure No.

N/S	Recommended specification / name of part				Applicable models / applicable status / notes
	Isuzu figure No.	QingLing figure No.	Left/Right	Qty.	
					4HK1-TCS Engine
199	----- Sealing gasket				
	1-15619-507-0			02	A (A)
	8-97602-218-0			04	A (B)
205	----- Fuel temperature sensor				
	8-98023-581-0			01	A
210	----- Hard tube assembly-joint				
	8-98036-176-1			01	A
211	----- Common rail pipe				
	8-98011-888-0			01	A
216	----- Eye bolt				
	5-15759-003-0			01	A (C)
	8-97351-388-0			01	A (B)
	8-98043-033-0			01	A (A)

0-40

Fuel injection system

Figure No.

N/S	Recommended specification / name of part				Applicable models / applicable status / notes
	Isuzu figure No.	QingLing figure No.	Left/Right	Qty.	
					4HK1-TCS Engine
279	Clip				
	8-97329-628-0			04	A (A) Inner diameter=16 No hole
	8-97375-638-0			06	A (B) Inner diameter=11.5
281	Clip				
	0-95207-315-0			01	A Inner diameter=16 Height = 24 Length = 20
282	Bracket				
	8-97324-194-0			01	A
283	Hexagon flange bolt				
	0-28050-825-0	Q1840825		01	A M8*25
288	Sealing gasket				
	1-15641-046-0			01	A Inner diameter=1 Outer diameter=16.3
289	Pressure limiting valve-fuel				
	8-98032-549-0			01	A

Fuel injection system

0-40

Figure No.

N/S	Recommended specification / name of part				
	Isuzu figure No.	QingLing figure No.	Left/Right	Qty.	Applicable models / applicable status / notes
					JH81-TCS Engine
290	---- Fuel pressure sensor				
	8-97318-684-0			01	A
315	---- Hard tube assembly-joint				
	8-98036-172-0			01	A
324	---- Hard tube assembly-return				
	8-98036-173-0			01	A
336	---- Clip				
	8-97603-522-0			02	A
	8-97603-523-0			02	A
					(A)
					(B)
354	---- Bolt				
	0-28050-816-0	Q1840816		02	A
					M8*16 Tape reel
377	---- Bracket				
	8-97310-438-0			02	A
					(A)
	8-97379-783-1			01	A
					(B)

0-40

Fuel injection system

Figure No.

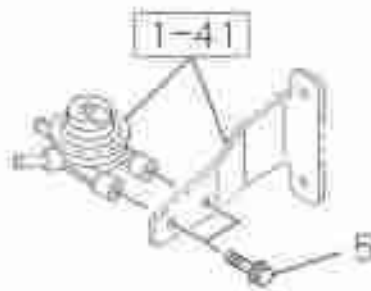
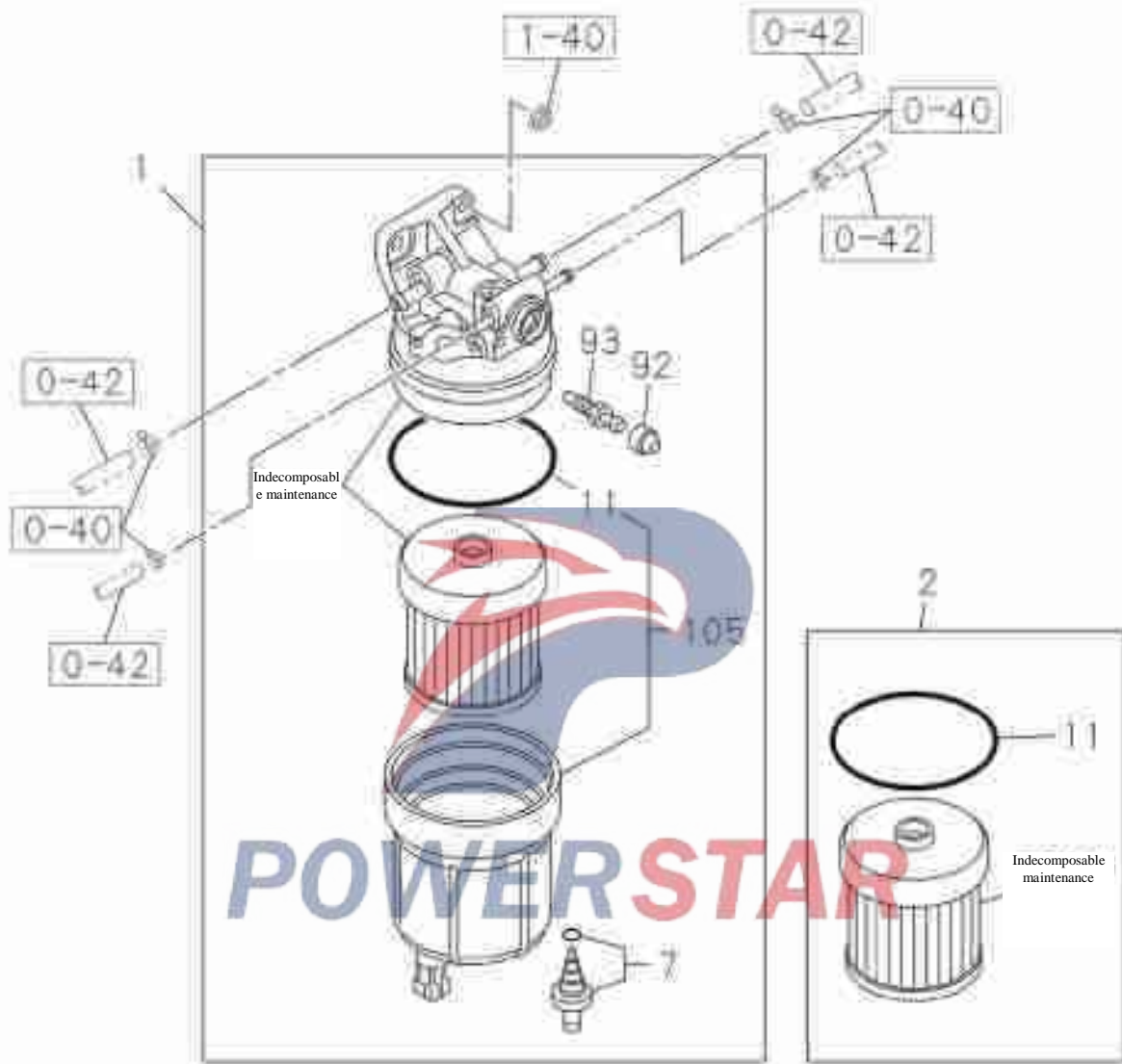
N/S	Recommended specification / name of part				Applicable models / applicable status / notes
	Isuzu figure No.	QingLing figure No.	Left/Right	Qty.	
					4HK1-TCS Engine
378					Vacuum pump gear
	8-98017-915-0			01	A Z=35
382					Woodruff keys
	8-97375-384-0			01	A
422					Nut
	8-97141-154-0			01	A M18
423					Key
	9-08055-519-0			01	A



Fuel filter and bracket

0-41

Figure No.



0-41

Fuel filter and bracket

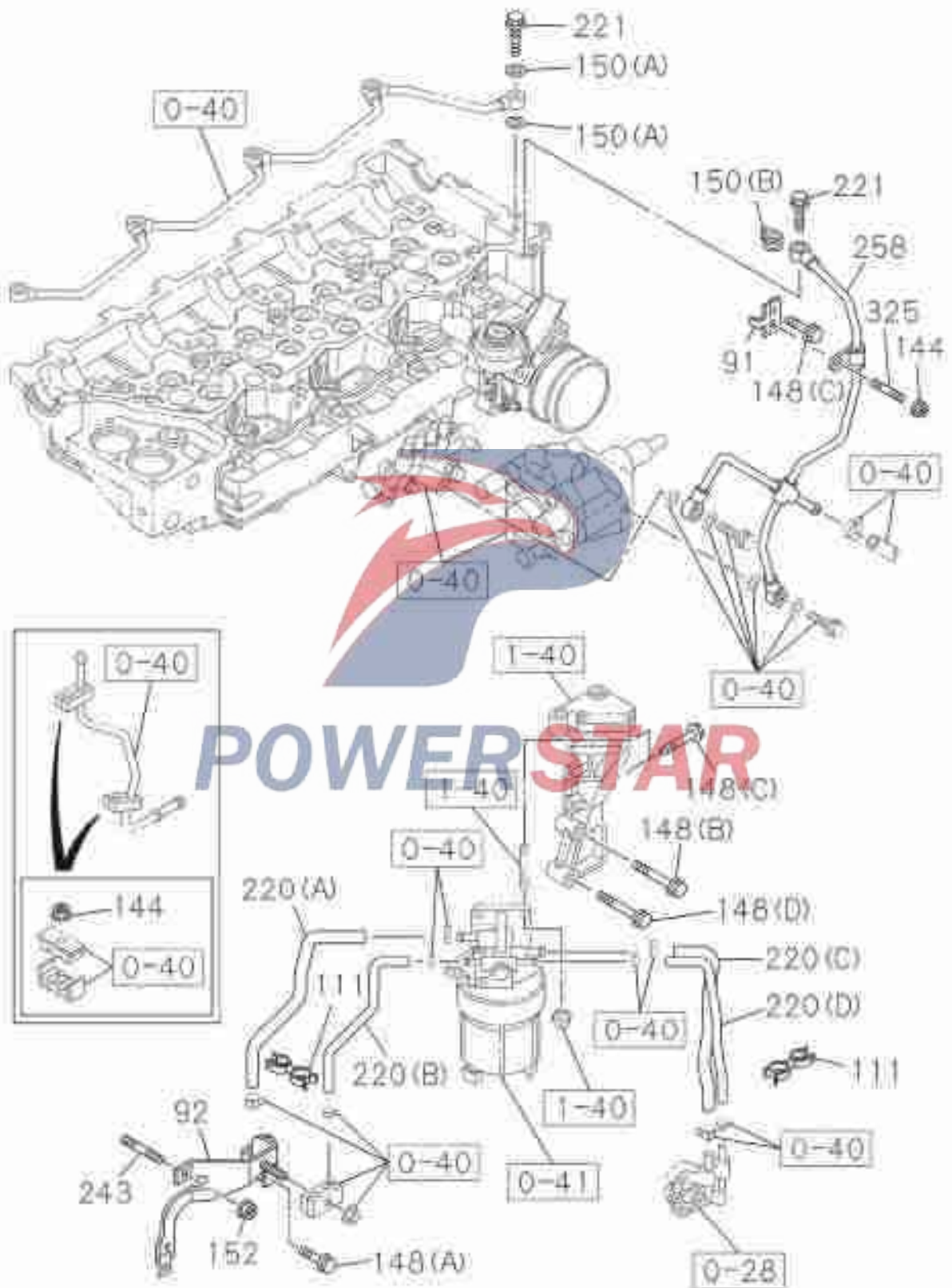
Figure No.

N/S	Recommended specification / name of part				Applicable models / applicable status / notes
	Isuzu figure No.	QingLing figure No.	Left/Right	Qty.	
1	Fuel filter assembly				
	8-97384-049-2	1117010-P301		01	A
2	Fuel filter element				
	8-98026-037-0	1117030-P301		01	A
5	Hexagon flange bolt				
	0-28650-820-0	Q1840820		02	A M8×20
7	Blockage-fuel filter blockage				
	8-98037-095-0	1117051-P301		01	A
11	Seal gasket-fuel Filter				
	8-98037-015-0	1117061-P301		01	A
92	Cover-fuel filter				
	8-98034-314-0	1117071-P301		01	A
93	Hand pump-fuel Filter				
	8-98034-312-0	1117020-P301		01	A M8×10
105	Housing-fuel filter				
	8-98037-043-0	1117040-P301		01	A

Fuel pump and oil pipes

0-42

Figure No.



0-42

Fuel pump and oil pipes

Figure No.

N/S	Recommended specification / name of part				Applicable models / applicable status / notes
	Isuzu figure No.	QingLing figure No.	Left/Right	Qty.	
					400K1-TCS Engine
91	Bracket-fuel hose				
	8-98033-979-0	1117121-P301		01	A
92	Bracket-fuel hose				
	8-98051-532-1			01	A
111	Clip				
	8-94169-028-0			03	A
144	Hexagon flange nut				
	0-91180-106-0	Q32006		02	A
148	Hexagon flange bolt				
	0-28050-612-0	Q1840612		03	A
					(A) M6×12 Hexagon flange bolt
	0-28151-200-0			01	(B) M12×100 Bolt
	0-28151-245-0			02	(C) M12×45 Bolt
	0-28151-270-0			01	(D) M12×70 Bolt

Fuel pump and oil pipes

0-42

Figure No.

N/S	Recommended specification / name of part				Applicable models / applicable status / notes
	Isuzu figure No.	QingLing figure No.	Left/Right	Qty.	
					JH41-TCS Engine
150	Sealing gasket				
					Including in the repair kit of engine and cylinder cover
	1-09630-083-0			02	A
					(A)
					Inner diameter=10.2
	8-97240-975-0			01	A
					(B)
					Inner diameter=10.6
152	Hexagon flange nut				
	0-91180-108-0	Q32008		01	A
					M8
220	Rubber hose				
	8-98036-180-2	1117171-P301		01	A
					(C)
	8-98036-181-1	1117181-P301		01	A
					Oil return hose
					(D)
	8-98076-056-0	1117151-P301		01	A
					Rubber hose
					(A)
	0-98076-057-0	1117161-P301		01	A
					Oil return hose
					(B)
221	Bolt				
	8-94396-711-0			02	A
					M10x21 Tape reel

0-42

Fuel pump and oil pipes

Figure No.

N/S	Recommended specification / name of part				Applicable models / applicable status / notes
	Isuzu figure No.	QingLing figure No.	Left/Right	Qty.	
					410K1-TCS Engine
243	----- Studs				
	8-98009-913-0			01 A	M8×15, M8 ×17 Length=40
258	----- Hard tube assembly-return				
	8-98033-718-0	1117110-P301		03 A	
325	----- Studs				
	0-41010-640-0			01 A	M6×40 Length=50

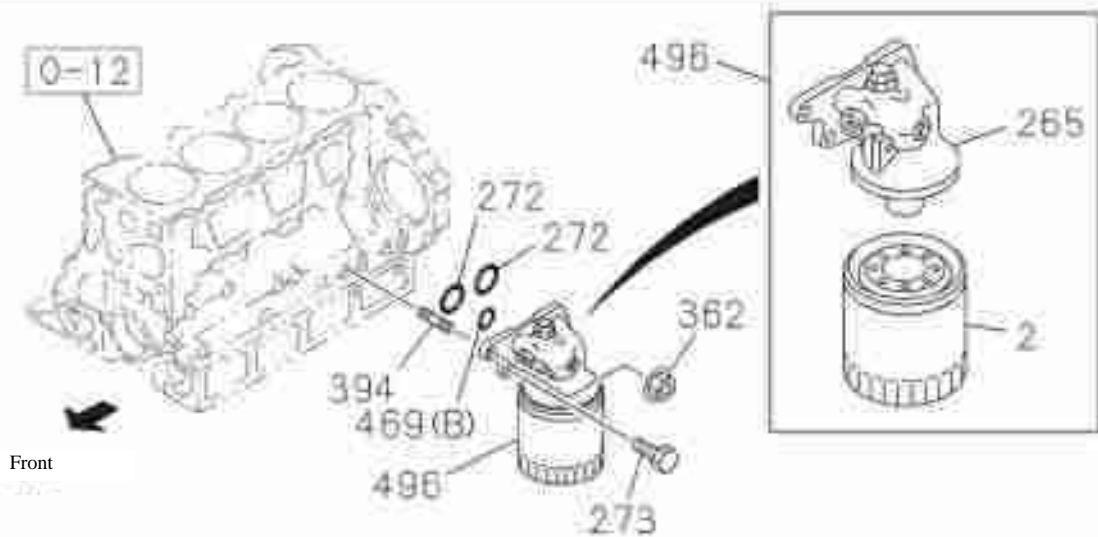
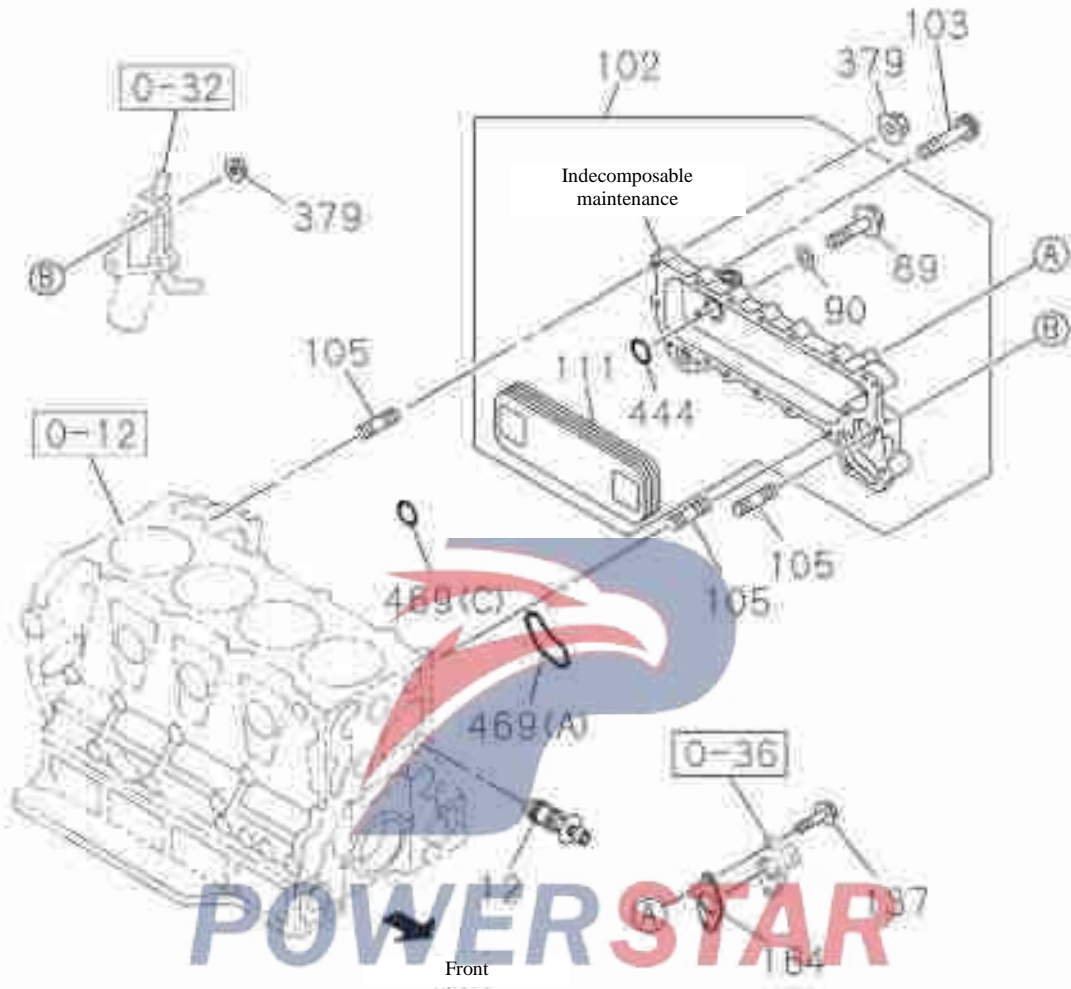


POWERSTAR

Engine oil cooler and engine oil filter

0-50

Figure No.



0-50

Engine oil cooler and engine oil filter

Figure No.

N/S	Recommended specification / name of part				
	Isuzu figure No.	QingLing figure No.	Left/Right	Qty.	Applicable models / applicable status / notes
					4HK1-TCS Engine
2	Oil filter element				
	8-97148-270-1	1012120-P301		01	A
12	Oil bypass valve				
	8-97013-566-2			01	A
89	Bolt				
	0-28050-816-0	Q1840816		04	A
					M8×16 Tape reel
90	Sealing gasket				
	1-21729-043-0	1013041-P301		04	A
102	Oil cooler assembly				
	8-97385-201-1	1013010-P301		01	A
103	Hexagon flange bolt				
	0-28050-820-0			08	A
					M8×20
	0-28050-835-0			08	A
					M8×35
105	Studs-oil cooler				
	8-97016-314-0			03	A
					M8 ×52 Length=63

Engine oil cooler and engine oil filter

0-50

Figure No.

N/S	Recommended specification / name of part				Applicable models / applicable status / notes
	Isuzu figure No.	QingLing figure No.	Left/Right	Qty.	
					4HK1-JCS Engine
111	-----	Cooler			
	8-97334-100-1	1013021-P301		01	A
137	-----	Hexagon flange bolt			
	0-28650-820-0	Q1840820		02	A
					M8×20
164	-----	Sealing gasket			
	8-97146-684-0			01	A
					Including in the major repair kit of engine
265	-----	Base-oil filter			
	8-97096-677-3	1012111-P301		01	A
272	-----	Sealing gasket			
	8-94399-399-0			02	A
					Including in the major repair kit of engine
					Inner diameter=22.1
273	-----	Bolt-oil filter			
	0-59311-030-0			03	A
					M10×30
362	-----	Hexagon flange nut-oil filter			
	0-91180-110-0	Q32010		01	A
					M10

0-50

Engine oil cooler and engine oil filter

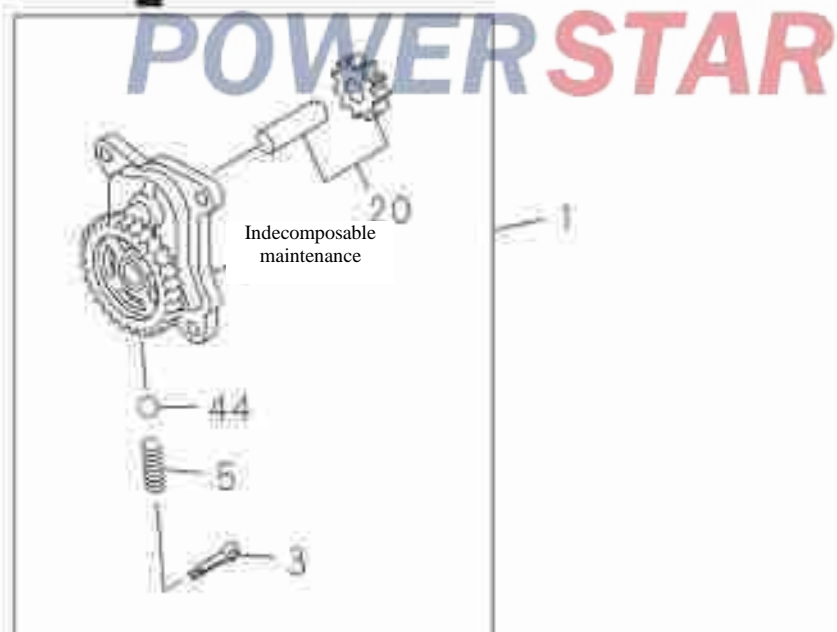
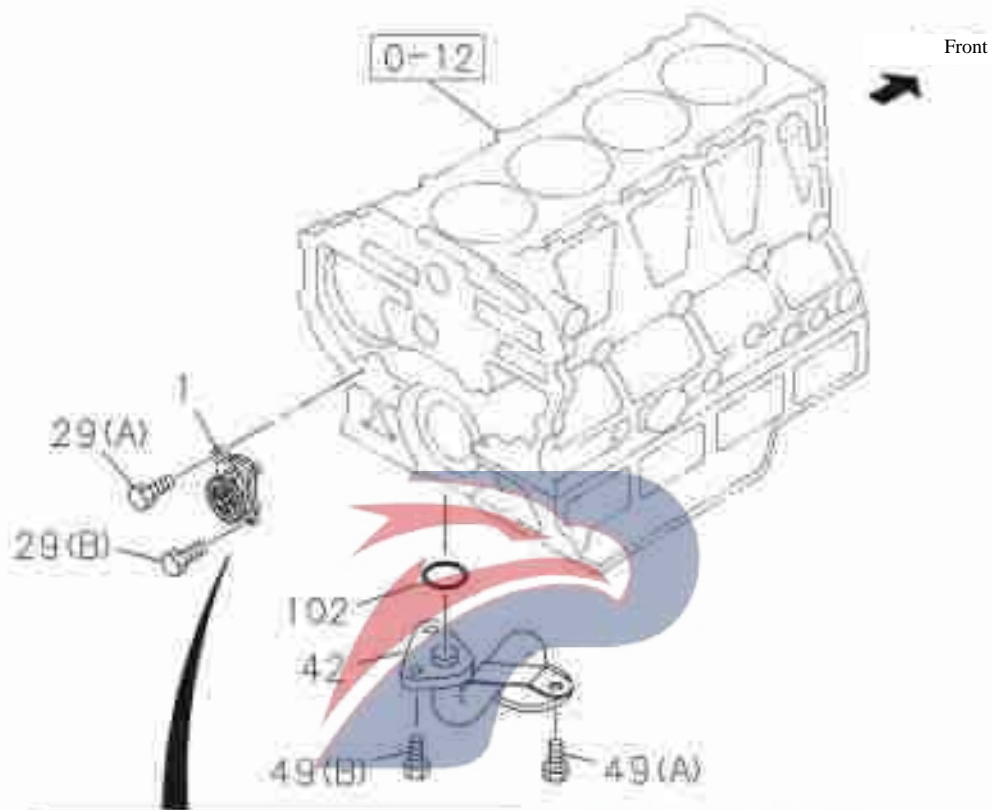
Figure No.

N/S	Recommended specification / name of part				Applicable models / applicable status / notes
	Isuzu figure No.	QingLing figure No.	Left/Right	Qty.	
					4HK1-TCS Engine
379	Hexagon flange nut-oil cooler				
	0-91180-108-0	Q32008		03	A M8
394	Studs				
	0-49241-025-0			01	A M10*25 Length=48.5
444	O-ring				
	8-97384-130-0	1013031-P301		02	A
469	Sealing gasket				
	8-94338-878-1			01	A Including in the major repair kit of engine
	8-94399-339-0			01	A (B) Inner diameter=9.8
	8-98045-447-0			01	A (C) Outer diameter = 30.2
496	Oil filter assembly				
	8-97148-268-2	1012110-P301		01	A

Oil pump and suction filter assembly

0-51

Figure No.



0-51

Oil pump and suction filter assembly

Figure No.

N/S	Recommended specification / name of part				
	Isuzu figure No.	QingLing figure No.	Left/Right	Qty.	Applicable models / applicable status / notes
					A HUKI-TCS Engine
1	Oil pump assembly				
	8-98017-585-0			01	A
3	Split pin				
	9-08114-030-0	Q5004032		01	A
	Outer diameter =3.7 Length=30				
5	Spring				
	5-09580-098-0			01	A
20	Oil pump gear				
	8-98059-192-0			01	A
29	Bolt-oil pump				
	0-28060-825-0			02	A
	(A)				
	M8*25 Tape reel				
	0-28060-830-0			02	A
	(B)				
	M8*30 Tape reel				
42	Oil suction filter assembly				
	8-97373-119-0			01	A
44	Steel ball				
	5-09843-003-0			01	A

Oil pump and suction filter assembly

0-51

Figure No.

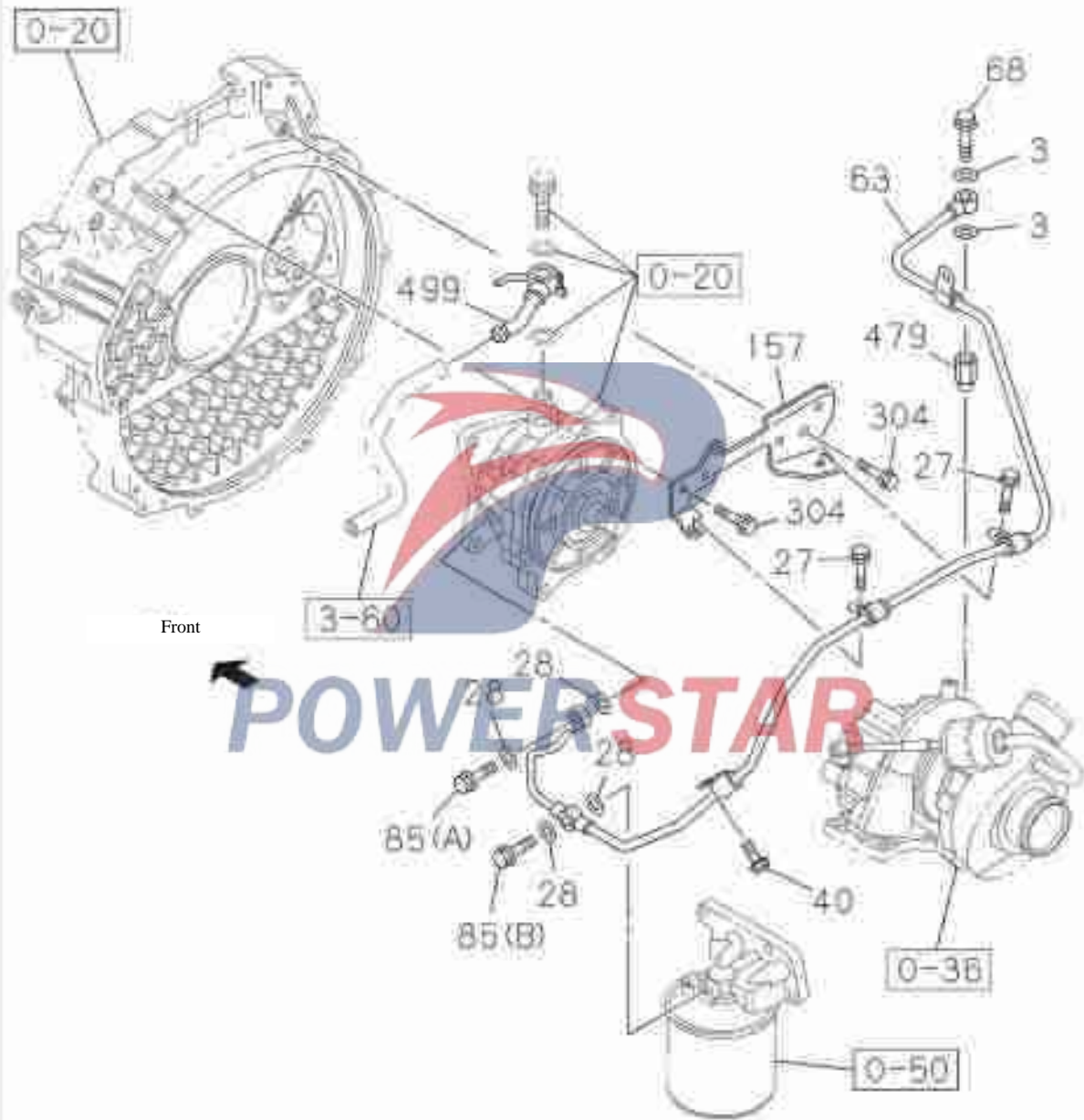
N/S	Recommended specification / name of part				
	Isuzu figure No.	QingLing figure No.	Left/Right	Qty.	Applicable models / applicable status / notes
					Applicable models / applicable status / notes
					4HK1-TCS Engine
49					
	----- Bolt				
	0-28060-816-0			02	A
					(B)
					M8×16 Tape reel
	8-97071-956-0			01	A
102	----- Seal ring				
	8-04399-398-0			01	A
					(A)
					M10×80
					Including in the major repair kit of engine
					Inner diameter=24.5



0-52

Engine oil and vacuum pipelines

Figure No.



Engine oil and vacuum pipelines

0-52

Figure No.

N/S	Recommended specification / name of part				Applicable models / applicable status / notes
	Isuzu figure No.	QingLing figure No.	Left/Right	Qty.	
					40KI-TCS Engine
3	----- Sealing gasket				
	9-09571-410-0	3506205-44		02	A Including in the major repair kit of engine Inner diameter=10.2 Outer diameter=16.0
27	----- Bolt				
	0-28050-816-0	Q1840816		02	A M8x16 Tape reel
28	----- Sealing gasket				
	1-09630-083-0			04	A Including in the major repair kit of engine Inner diameter=10.2
40	----- Hexagon flange bolt				
	0-28050-812-0	Q1840812		01	A M8x12
63	----- Hard tube assembly-turbocharger oil inlet				
	8-98066-909-0	118110-P301		01	A
68	----- Bolt				
	8-98037-825-0			01	A M12x28 Tape reel
85	----- Hexagon flange bolt				
	0-28050-812-0	Q1840812		01	A (A) M8x12

0-52

Engine oil and vacuum pipelines

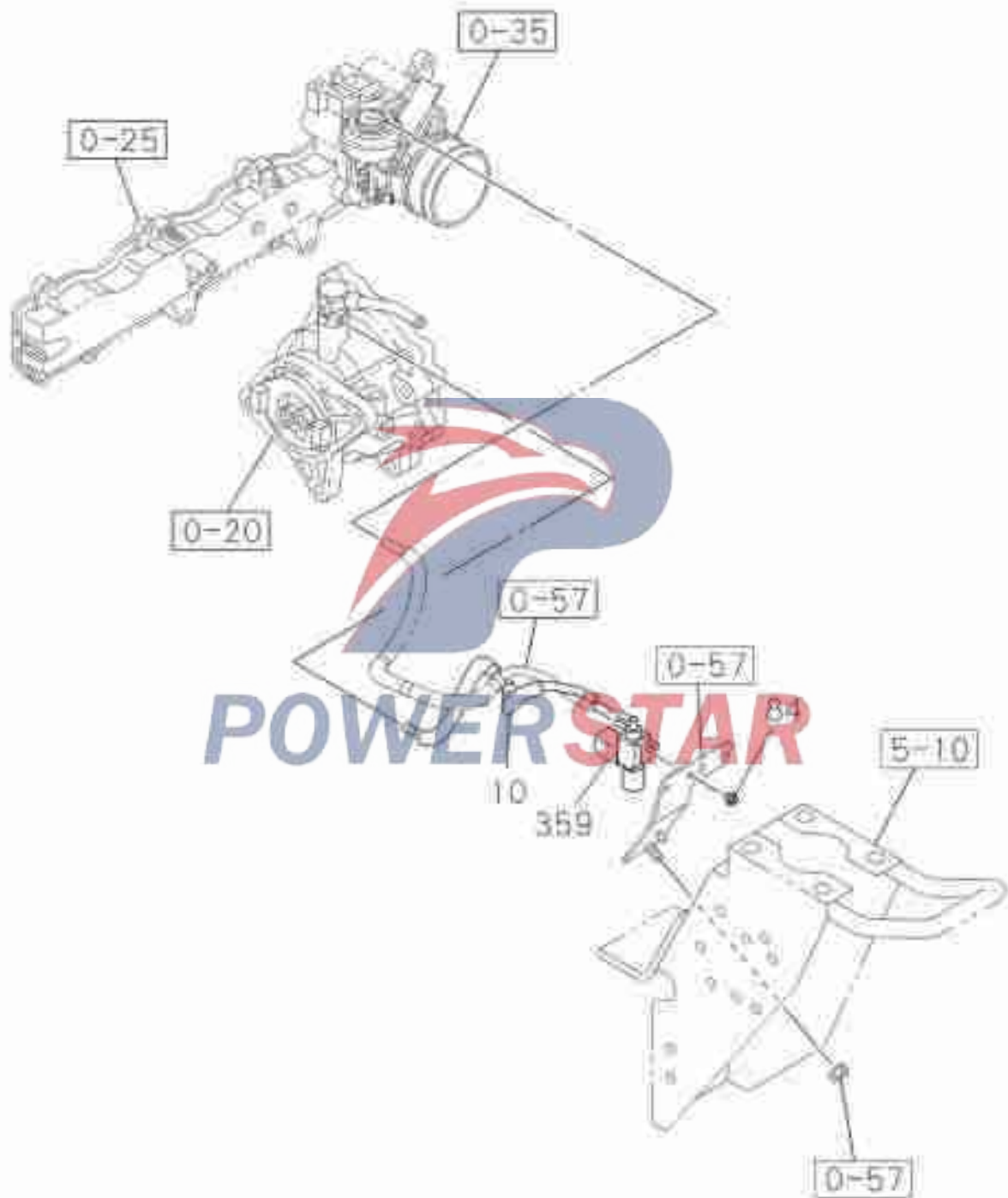
Figure No.

N/S	Recommended specification / name of part				Applicable models / applicable status / notes
	Isuzu figure No.	QingLing figure No.	Left/Right	Qty.	
					4HK1-TCS Engine
85	----- Bolt				
	0-28050-816-0	Q1840816		01 A	(B) M8×16 Tape reel
157	----- Bracket-oil pipe				
	8-97376-118-0	1118121-P301		01 A	
304	----- Hexagon flange bolt				
	0-28650-820-0	Q1840820		02 A	M8×20
479	----- Joint				
	8-94436-891-0			01 A	
499	----- Booster induction tube assembly				
	8-98075-832-0	1109610-P301		01 A	

Injection system

0-56

Figure No.

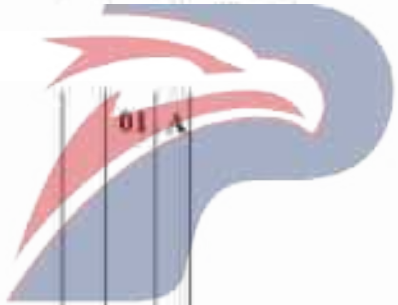


0-56

Injection system

Figure No.

N/S	Recommended specification / name of part				Applicable models / applicable status / notes
	Isuzu figure No.	QingLing figure No.	Left/Right	Qty.	
					4HK1-TCS Engine
10	---- Vacuum tube assembly				
	8-98076-251-0			01	A
84	---- Bolt-vacuum valve				
	0-36220-508-0			01	A
					M5x8
359	---- Vacuum valve				
	8-97037-165-2			01	A



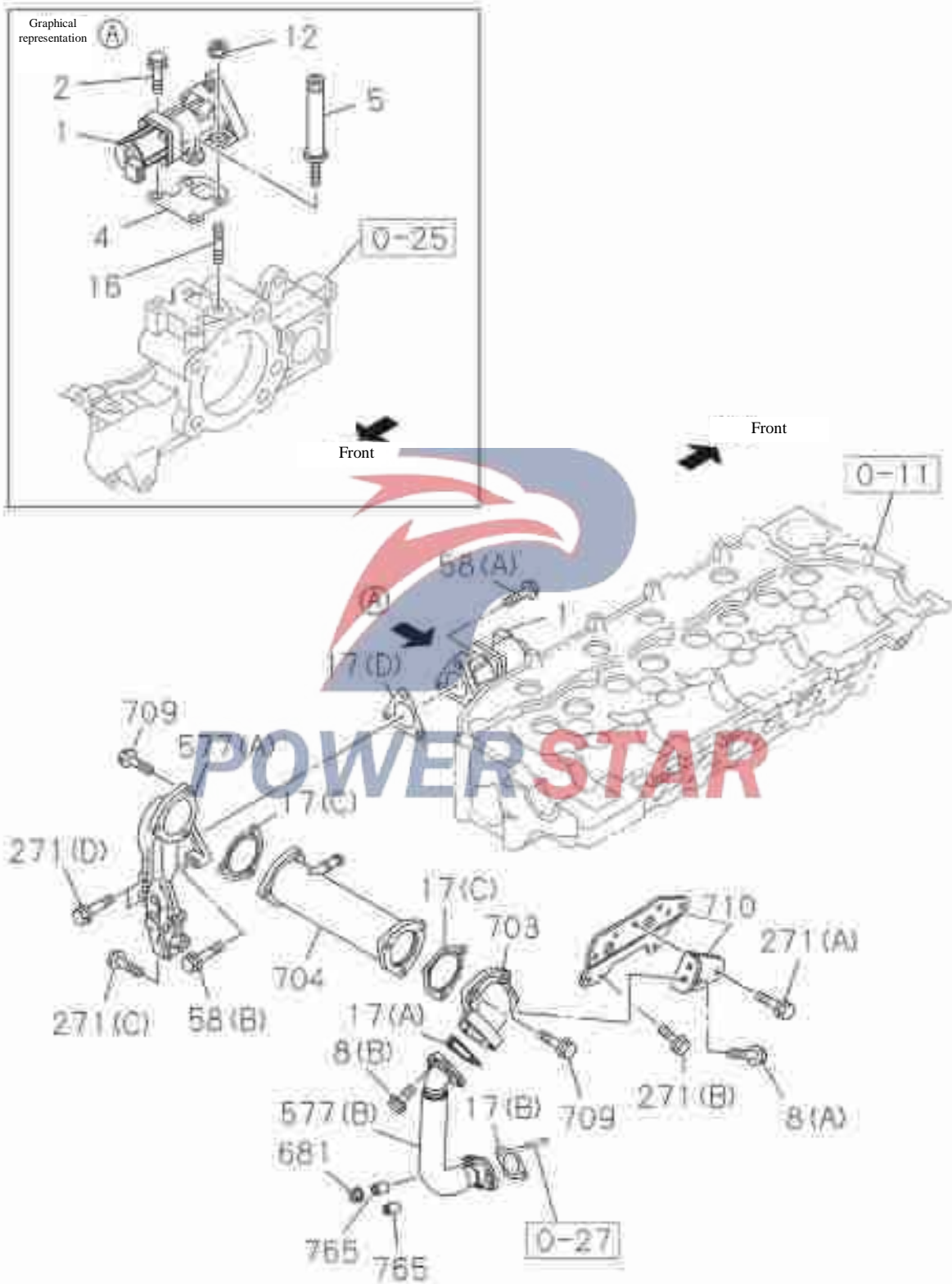
POWERSTAR

Injection pipeline

EGR cooling pipe

0-57

Figure No.

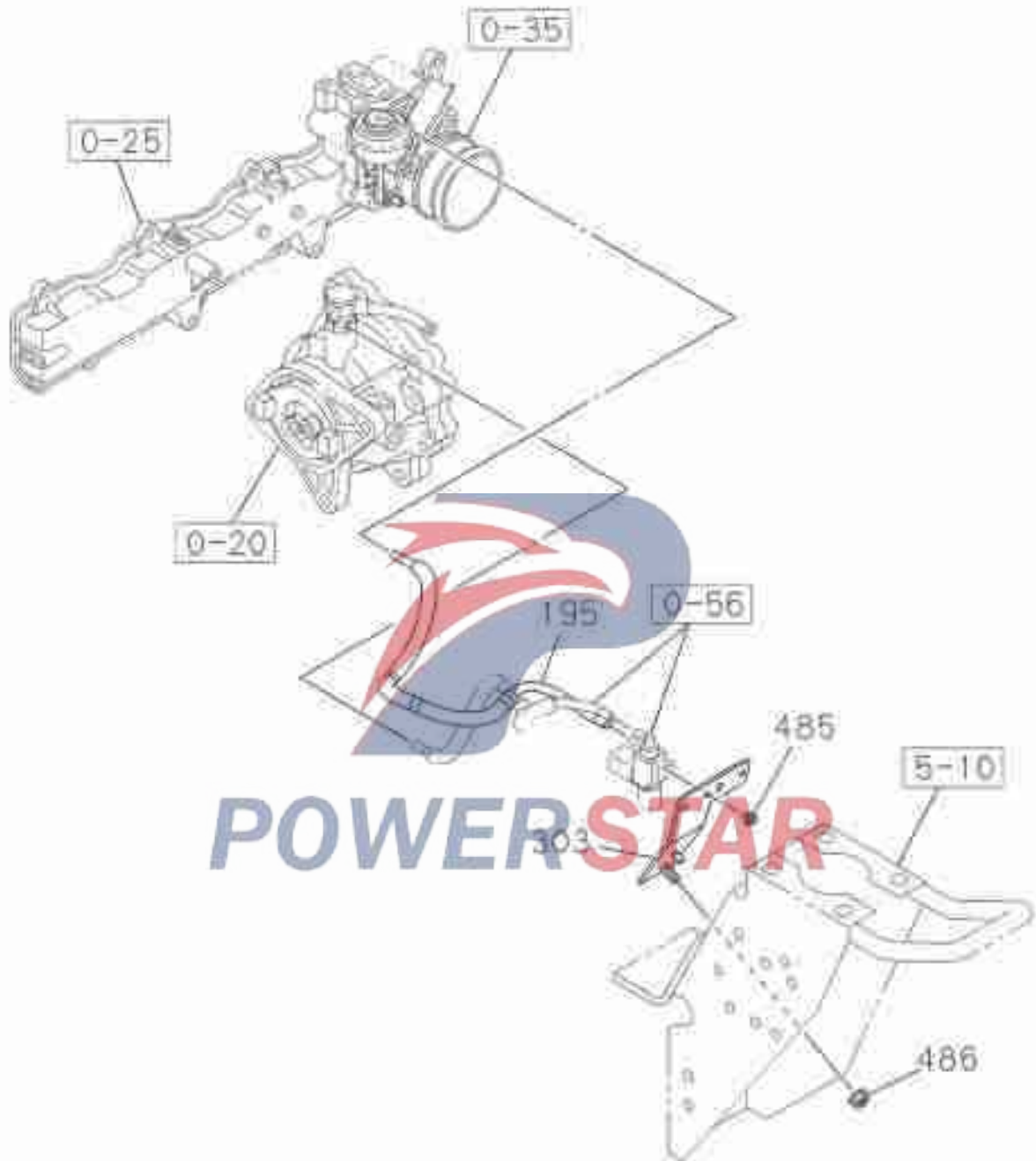


0-57

Injection pipeline

Figure No.

Solenoid valve bracket



71 (A)



71 (B)



139



54



Injection pipeline

0-57

Figure No.

N/S	Recommended specification / name of part				Applicable models / applicable status / notes
	Isuzu figure No.	QingLing figure No.	Left/Right	Qty.	
					400KI-TCS Engine
1					EGR valve
	8-97377-509-3			01	A
2					Hexagon flange bolt-EGR valve
	0-28650-825-0	Q1840825		01	A
					M8×25
4					Seal pad-EGR valve
	8-97306-040-0			01	A
					Including in the major repair kit of engine
5					Bolt joint
	8-97377-804-0	1008321-P301		01	A
8					Bolt
	0-28050-816-0	Q1840816		02	A
					(A)
					M8×16 Tape reel
	8-98043-528-0			03	A
					(B)
					M8×28 Tape reel
12					Hexagon flange nut
	0-91180-108-0	Q32008		02	A
					M8
16					Studs
	0-41010-820-0			02	A
					M8 ×20 Length=32

0-57

Injection pipeline

Figure No.

N/S	Recommended specification / name of part				
	Isuzu figure No.	QingLing figure No.	Left/Right	Qty.	Applicable models / applicable status / notes
					4HK1-TCS Engine
17	----- Sealing gasket				
	Including in the major repair kit of engine				
	8-97367-918-0	1008331-P301		01	A
					(A)
	8-97375-980-1	1008341-P301		01	A
					(B)
	8-97388-919-0	1008351-P301		01	A
					(C)
	8-98036-507-0	1008361-P301		01	A
					(D)
54	----- Hoop band				
	8-97373-487-0			01	A
					Length=350
58	----- Flange bolts				
	0-28050-845-0	Q1840845		02	A
					(B)
					M8×45
	0-28650-830-0	Q1840830		01	A
					(A)
					M8×30
71	----- Pipe clamp-vacuum tube				
	8-94163-380-0			01	A
					(A)
					Inner diameter=7.2

Injection pipeline

0-57

Figure No.

N/S	Recommended specification / name of part				Applicable models / applicable status / notes
	Isuzu figure No.	QingLing figure No.	Left/Right	Qty.	
					4HK1-TCS Engine
71	Pipe clamp-vacuum tube				
	8-94315-426-0			01	A
					(B)
					Inner diameter=13.2&7.5
139	Hoop band				
	5-09707-030-1	1101421-803		01	A
					Length=250
	5-09707-031-1	3724551-803		01	A
					Length=140
195	Vacuum tube and vacuum valve assembly				
	8-97373-527-0			01	A
271	Hexagon flange bolt				
	0-28650-825-0	Q1840825		02	A
					(A)
					M8×25
	0-28050-820-0	Q1840820		02	A
					(B)
					M8×20
	0-28151-250-0	Q1841250		03	A
					(C)
					M12×50
	0-28751-230-0			03	A
					Bolt
					(D)
					M12×30 Tape reel

0-57

Injection pipeline

Figure No.

S/N	Recommended specification / name of part				
	Isuzu figure No.	QingLing figure No.	Left/Right	Qty.	Applicable models / applicable status / notes
					4HK1-TCS Engine
303	Bracket-vacuum valve				
	8-98097-124-0			01	A
485	Bolt-vacuum valve				
	0-36220-508-0			01	A
					M5×8
486	Hexagon flange nut				
	0-91180-108-0	Q32008		01	A
					M8
577	Tube				
	8-98055-858-1			01	A
					EGR pipe assembly-inlet
	8-98063-655-1			01	A
					EGR pipe assembly-outlet
					(A)
					(B)
681	Nut				
	0-91180-208-0			02	A
					M8 Tape reel
703	EGR elbow joint				
	8-98061-100-2			01	A
704	EGR cooler assembly				
	8-98061-104-0			01	A

Injection pipeline

0-57

Figure No.

N/S	Recommended specification / name of part				Applicable models / applicable status / notes
	Isuzu figure No.	QingLing figure No.	Left/Right	Qty.	
					4HK1-TCS Engine
709	----- Bolt				
	0-28751-030-0			06 A	M10×30 Tape reel
710	----- Bracket-EGR cooler				
	8-98061-103-0			01 A	
765	----- Spacer				
	8-94225-562-0			02 A	



POWERSTAR

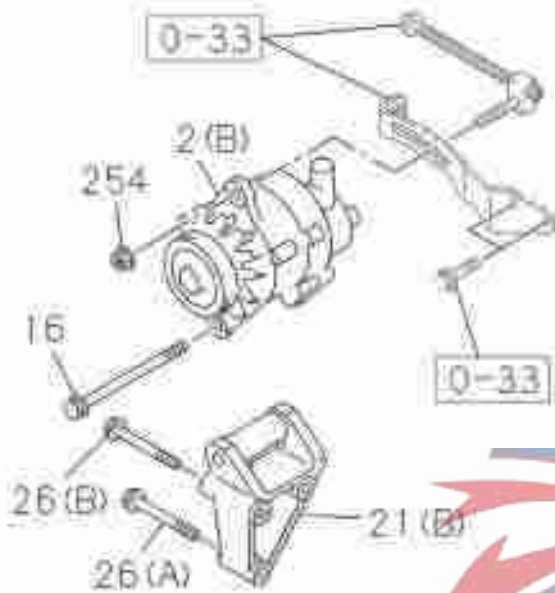
0-60

Electronic control part of the engine

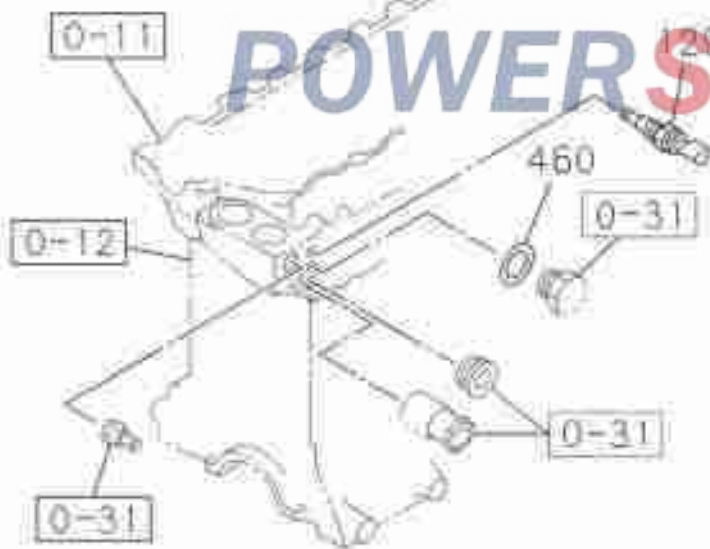
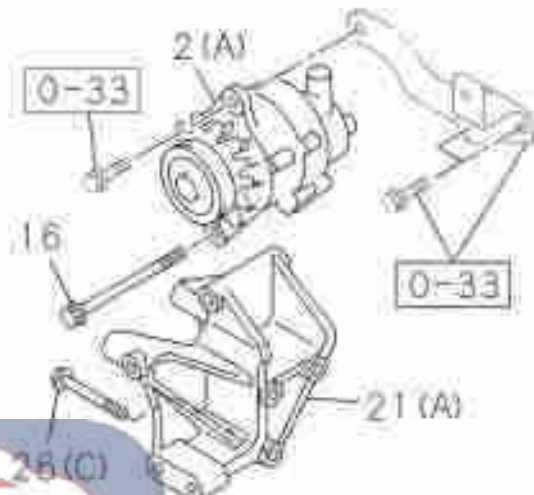
Figure No.

Starter, generators and others

Engine 24V50A



Engine 24V80A

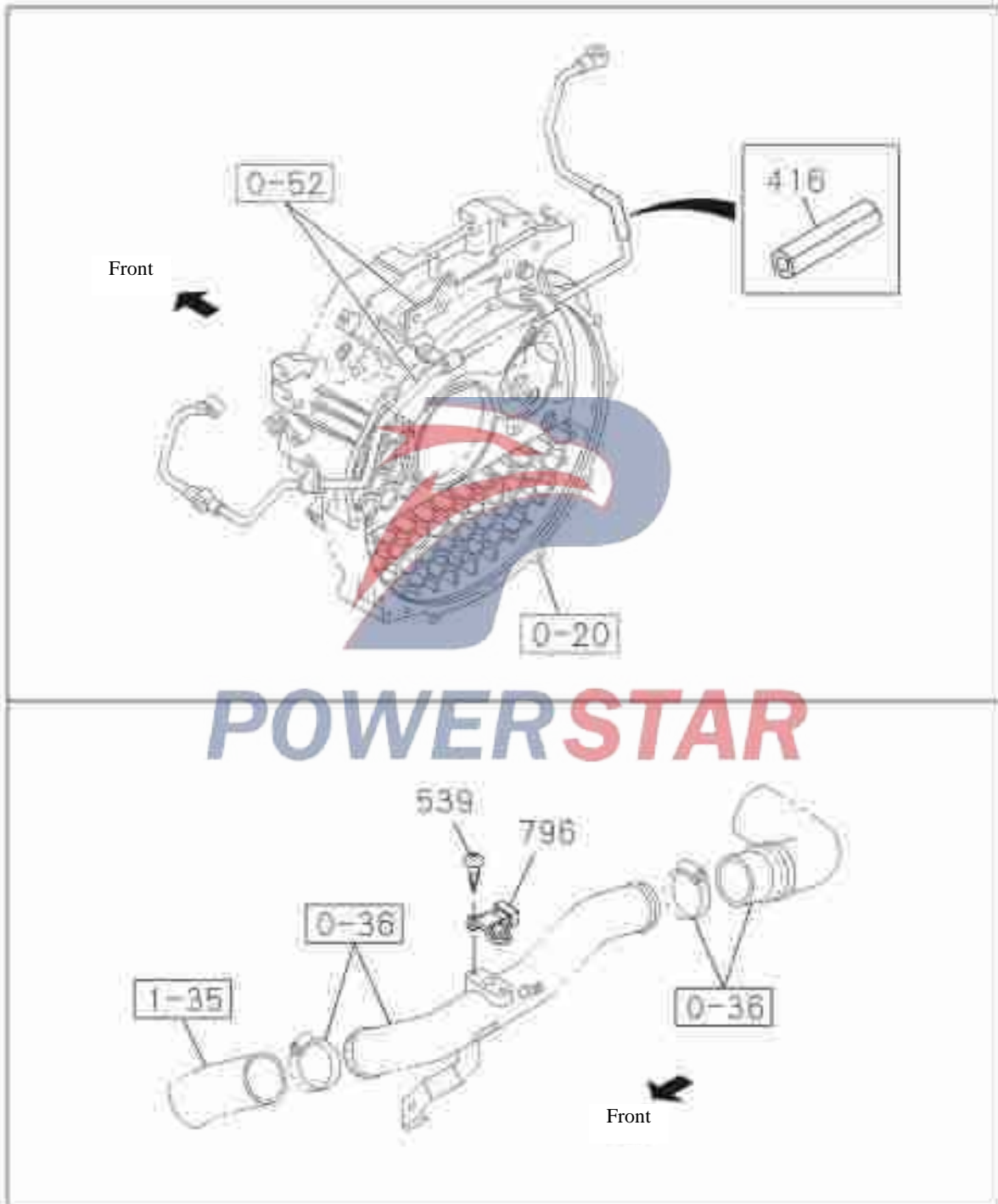


Electronic control part of the engine

0-60

Sensor and others

Figure No.

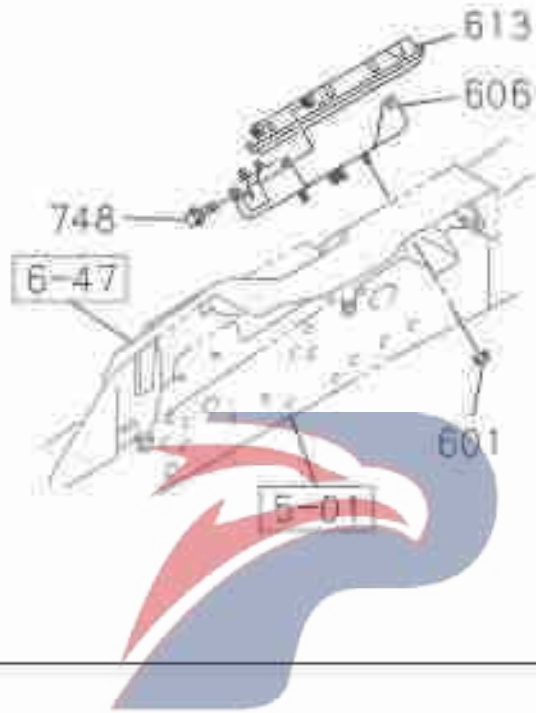


0-60

Electronic control part of the engine

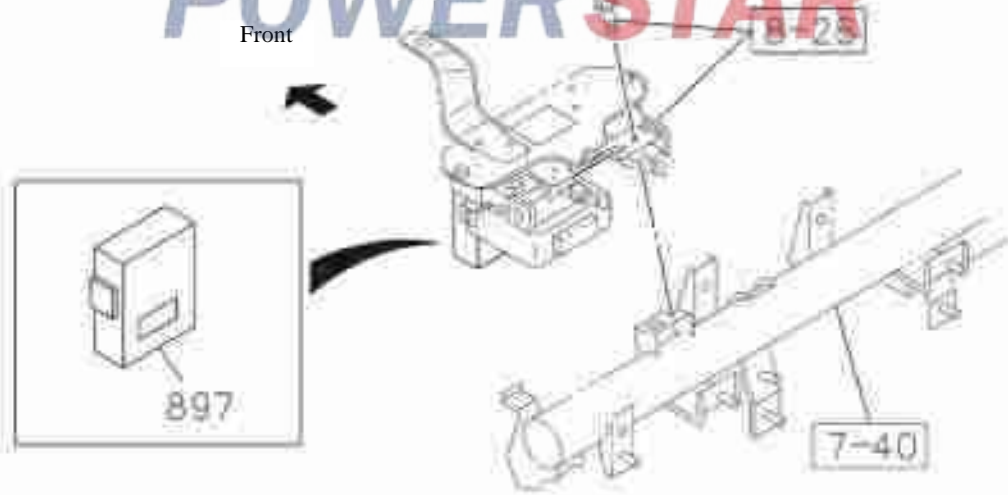
Figure No.

Engine control unit



POWER STAR

Front

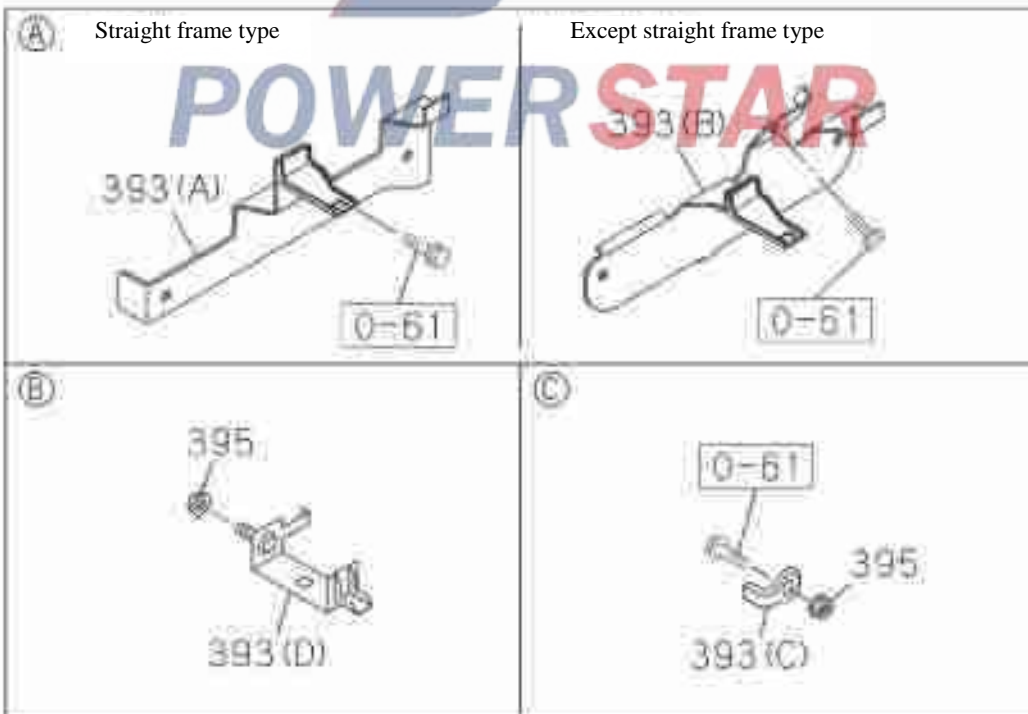
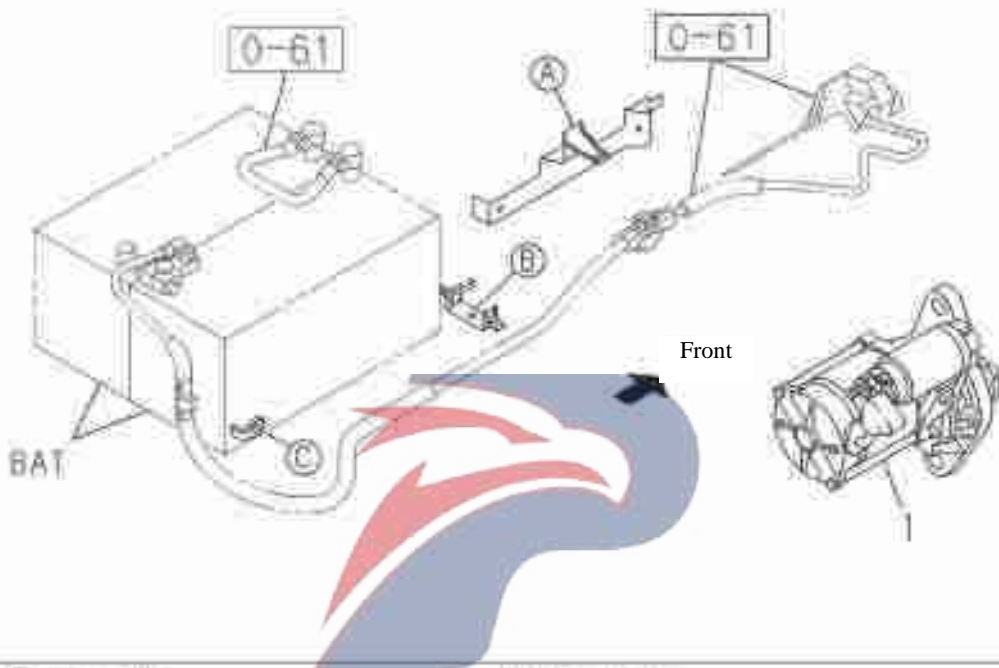


Electronic control part of the engine

0-60

Battery harness bracket

Figure No.

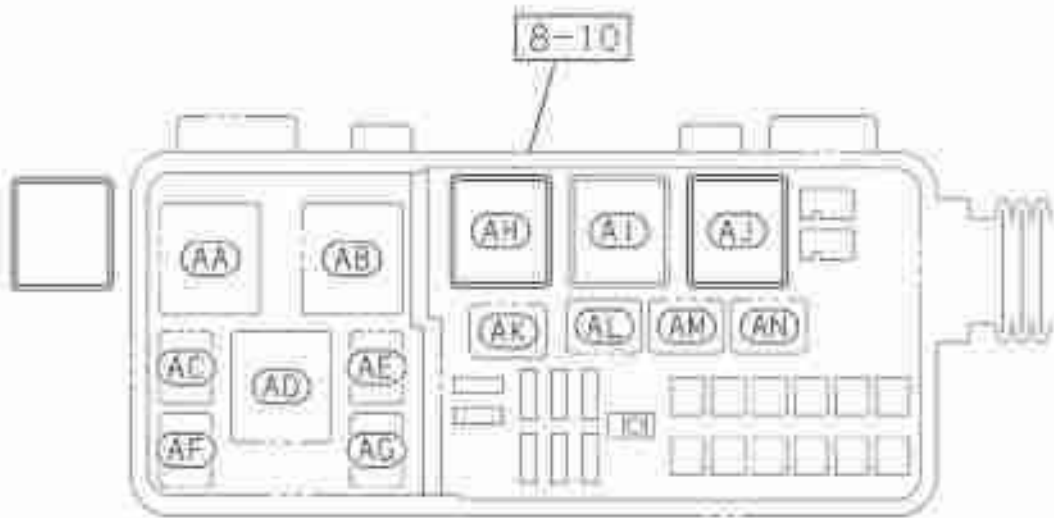


0-60

Electronic control part of the engine

Figure No.

Relay



	S/N	Relay types
	(AA)	
	(AB)	8-28 Vacuum pump
	(AC)	
	(AD)	
	(AE)	
	(AF)	
	(AG)	
	(AH)	10 Starter
	(AI)	8-28 Main
	(AJ)	46 Glow plug
	(AK)	8-25
	(AL)	8-25 Heating and air conditioning
	(AM)	8-28 Condenser fan
	(AN)	8-28 Starter overload

Marker lamp

Electronic control part of the engine

0-60

Figure No.

N/S	Recommended specification / name of part				Applicable models / applicable status / notes
	Isuzu figure No.	QingLing figure No.	Left/Right	Qty.	
					400KI-TCS Engine
1	----- Starter assembly				
					Refer to Drawing No. 0-65
	8-98054-984-0	3708010-P301		02 A	24V 4.0KW
2	----- Generator assembly				
					Refer to Drawing No. 0-66
	8-98075-026-0	3701010-P301		01 A	Generator (B) 24V 50A
	8-98029-892-1			01 A	Generator (A) 24V 80A
4	----- Bolt-starter, gear shift bracket and flying housing				
	8-97212-602-0	3708771-P301		02 A	M10×15, M14 ×75 Length=103
10	----- Relay-starter				
	8-97264-947-0			01 A	24V 50A
16	----- Hexagon flange bolt				
	0-28056-012-0	Q18410120		01 A	M10×120

0-60

Electronic control part of the engine

Figure No.

N/S	Recommended specification / name of part				Applicable models / applicable status / notes
	Isuzu figure No.	QingLing figure No.	Left/Right	Qty.	
					4HK1-TCS Engine
21	---- Bracket-generator				
	8-97075-884-2	2724741-P301		01	A 24V 50A generator (B)
	8-98036-551-0			01	A 24V 80A generator (A)
26	---- Hexagon flange bolt				
	0-28151-050-0	Q1841050		01	A 24V 50A generator (A) M10×50
	0-28151-070-0			02	A 24V 50A generator (B) M10×70
	0-28151-090-0	Q1841090		03	A 24V 80A generator (C) M10×90
46	---- Relay				
	8-97173-947-0			01	A 24V 50A
129	---- Water temperature sensor				
	8-98023-883-0			01	A
254	---- Nut				
	0-91180-208-0			01	A Except 24V 80A generator M8 Tape reel

Electronic control part of the engine

0-60

Figure No.

N/S	Recommended specification / name of part				
	Isuzu figure No.	QingLing figure No.	Left/Right	Qty.	Applicable models / applicable status / notes
					4HK1-TCS Engine
393	----- Bracket - battery wire harness				
	8-98041-946-1	3724441-P301		01	A Except 115E41L battery (A)
	8-98018-894-1			01	A 115E41L battery (C)
	8-98018-251-1	3724420-P301		01	A Bracket assembly - battery wire harness (D)
	8-98030-138-2			01	A Except straight frame11, 5E41L battery (B)
395	----- Hexagon flange nut				
	0-91180-108-0	Q32008		01	A 115E41L battery M8
416	----- Rubber sleeve				
	1-09337-012-0	3724791-P301		01	A Inner diameter=17 Outer diameter=21 Thickness = 40
460	----- Sealing gasket				
					A Including in the major repair kit of engine
	1-09630-086-0			01	A Inner diameter=16.2
539	----- Cross recessed pan head screw, spring washer and plain washer assembly				
	0-36230-412-0	Q2360412		02	A M4×12

0-60

Electronic control part of the engine

Figure No.

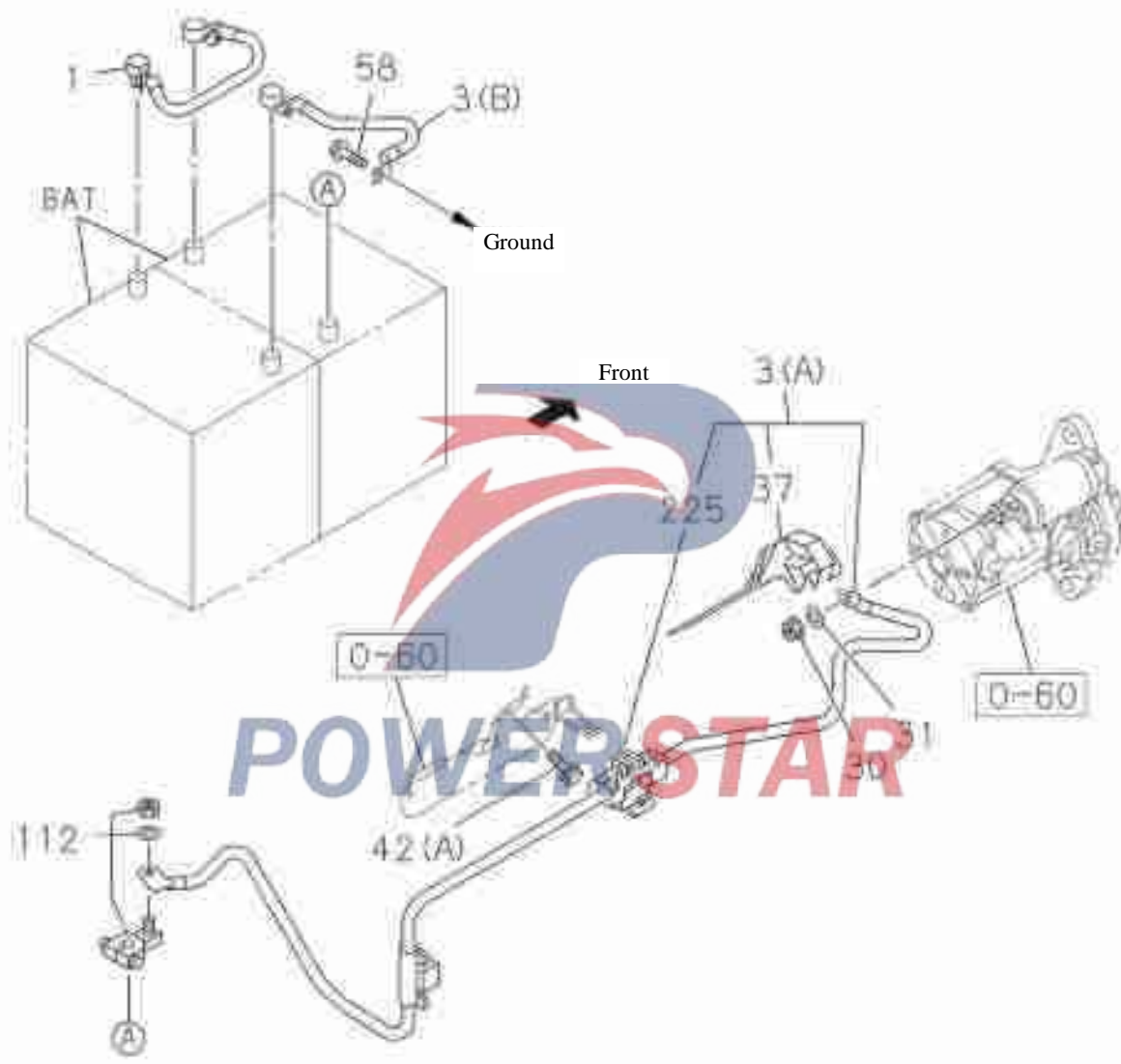
N/S	Recommended specification / name of part				
	Isuzu figure No.	QingLing figure No.	Left/Right	Qty.	Applicable models / applicable status / notes
					4HK1-TCS Engine
601	----- Nut				
	8-98029-921-0			04	A M6
606	----- Bracket-ECM				
	8-98004-751-1	3724111-P301		01	A
613	----- Cover plate				
	8-98096-263-0			01	A In addition to the decomposition of the seal housing
748	----- Hexagon flange bolt				
	0-28050-612-0	Q1840612		03	A M6×12
796	----- Sensor				
	8-98009-418-0			01	A
897	----- Controller assembly				
	8-98082-814-0			01	A

Battery and battery harness

0-61

Except 115E41L battery

Figure No.

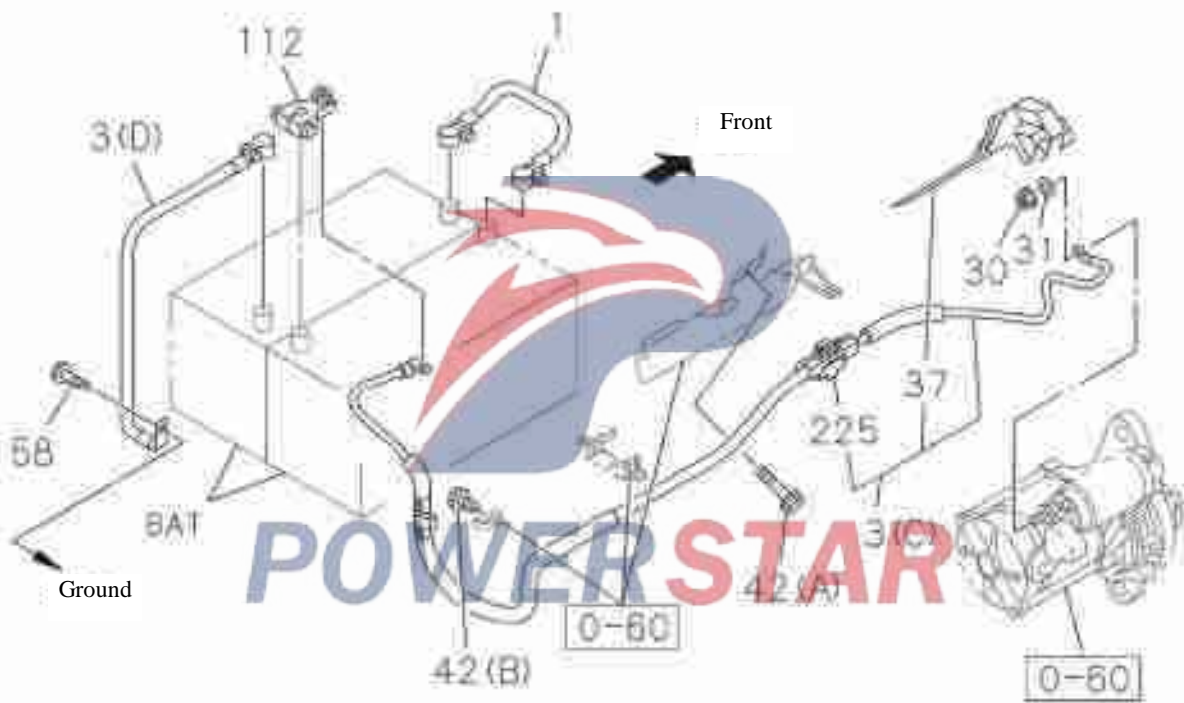


0-61

Battery and battery harness

Figure No.

Except 115E41L battery



Battery and battery harness

0-61

Figure No.

N/S	Recommended specification / name of part				Applicable models / applicable status / notes
	Isuzu figure No.	QingLing figure No.	Left/Right	Qty.	
					400KI-TCS Engine
1	----- Battery harness-connect positive and negative pole				
	8-98025-412-1	3724450-P301		01	A Length=280
3	----- Harness				
	8-98056-339-0			01	A Battery harness-ground (D) 115E41L battery
	8-98070-230-1			01	A Starter wiring harness (C) 115E41L battery
	8-98056-337-0	3724460-P301		01	A Battery harness-ground (B)
	8-98067-966-2	3724410-P301		01	A Except 115E41L battery Starter wiring harness (A)
30	----- Four-corner welded nut				
	0-91110-508-0	T364808		01	A NB
31	----- Heavy duty spring washer				
	0-91510-808-0	Q40508		01	A Inner diameter=8.2

0-61

Battery and battery harness

Figure No.

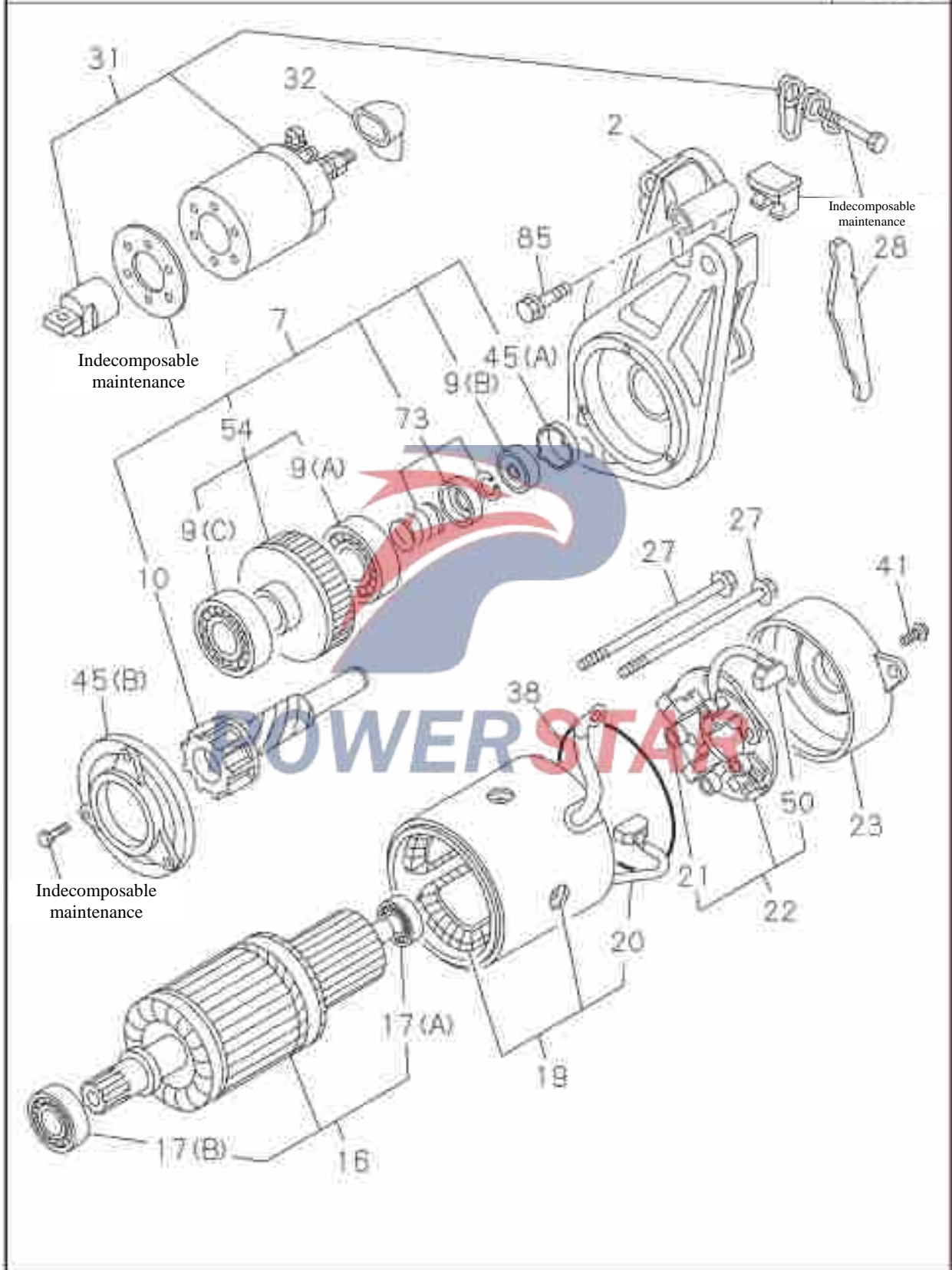
N/S	Recommended specification / name of part				Applicable models / applicable status / notes
	Isuzu figure No.	QingLing figure No.	Left/Right	Qty.	
					4HK1-TCS Engine
37	-----	Cover			
	8-98042-507-0			01	A
42	-----	Hexagon flange bolt			
	0-28650-825-0	Q1840825		01	A 115E41L battery
	8-97329-599-0	3703011-P301		01	A Bolt
					(B) M8×25
					(A) M6×16 Tape reel
58	-----	Combination bolt			
	8-97087-203-0	3724333-801		01	A M8×25
112	-----	Joint (+)			
	8-97365-771-0	3724365-P301		01	A
225	-----	Connecting block			
	8-98029-689-0			01	A

Starter

NO.1

0-65

Figure No.

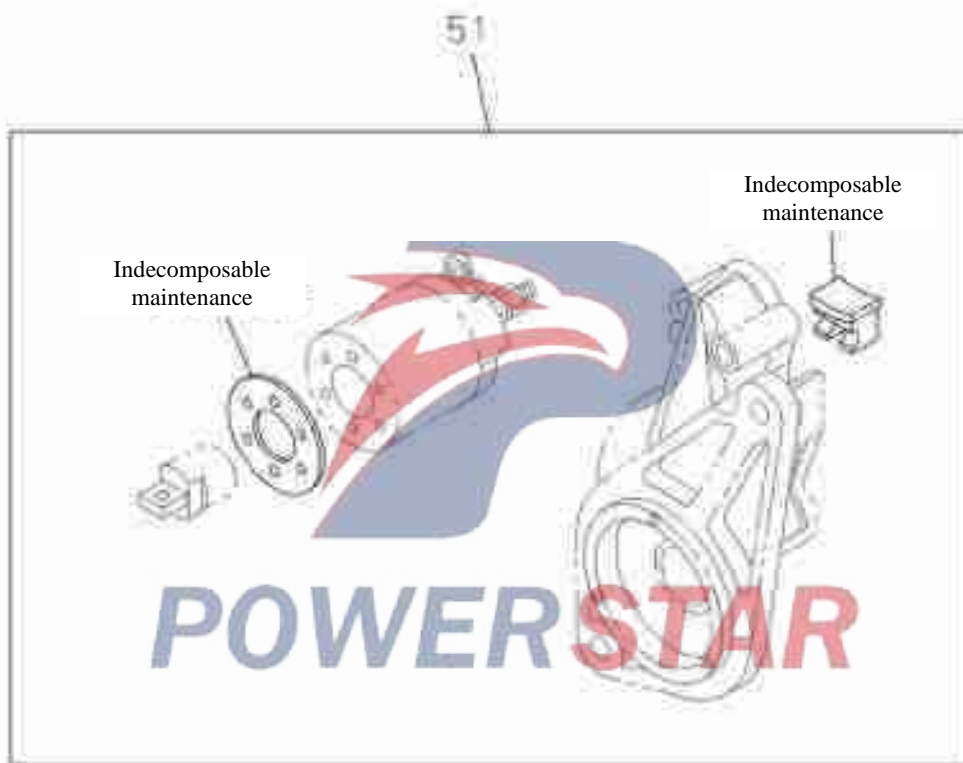


0-65

Starter

Figure No.

NO.2



Starter

0-65

Figure No.

N/S	Recommended specification / name of part	
	Isuzu figure No. <small>(Application date/interchangeability)</small>	General drawing No. / quantity / notes
		8980549840
2	<p>---- Driving end cover</p> <p>8-97227-902-0 01 </p>	
7	<p>---- Connection assembly-starter</p> <p>8-97179-770-0 01 </p>	
9	<p>----- Bearing</p> <p>8-97025-673-0 01 </p> <p style="padding-left: 20px;">(C)</p> <p>8-97025-674-0 01 </p> <p style="padding-left: 20px;">(A)</p> <p>8-97025-676-0 01 </p> <p style="padding-left: 20px;">(B)</p>	
10	<p>----- Gear shaft</p> <p>8-97179-772-0 01 </p>	
16	<p>---- Armature</p> <p>8-97192-299-0 01 </p>	
17	<p>---- Bearing-armature</p> <p>8-94228-436-0 01 </p> <p style="padding-left: 20px;">(A)</p> <p>8-97030-387-0 01 </p> <p style="padding-left: 20px;">(B)</p>	

0-65

Starter

Figure No.

N/S	Recommended specification / name of part	
	Isuzu figure No. (Application date/interchangeability)	General drawing No. / quantity / notes
		8980549840
19	Coil	
	8-98055-295-0	01
20	Positive electric brush	
	8-98055-296-0	02
21	Spring-brush holder	
	8-94152-972-0	04
22	Brush holder	
	8-98055-298-0	01
23	Starter rear cover	
	8-97227-901-0	01
27	Through bolt	
	8-97192-423-0	02
28	Lever	
	8-97179-776-0	01
31	Magnetic switch	
	8-97161-789-0	01
32	Caps	
	5-81129-069-0	01



POWERSTAR

Starter

0-65

Figure No.

N/S	Recommended specification / name of part	
	Isuzu figure No. (Application date/interchangeability)	General drawing No. / quantity / notes
		8980549840
38	----- Seal ring	
	8-97115-763-0	01
41	----- O-ring	
	8-97117-107-0	02
45	----- Baffle	
	8-94435-567-0	01
	(A)	
	8-97179-774-0	01
	(B)	
50	----- Negative electric brush	
	8-98055-296-0	02
51	----- Cover plate device	
	8-97179-778-0	01
54	----- Clutch-starter	
	8-97179-771-0	01
73	----- Brake device	
	8-97030-396-0	01
85	----- Bolts - starter engagement switch	
	8-94403-500-0	02

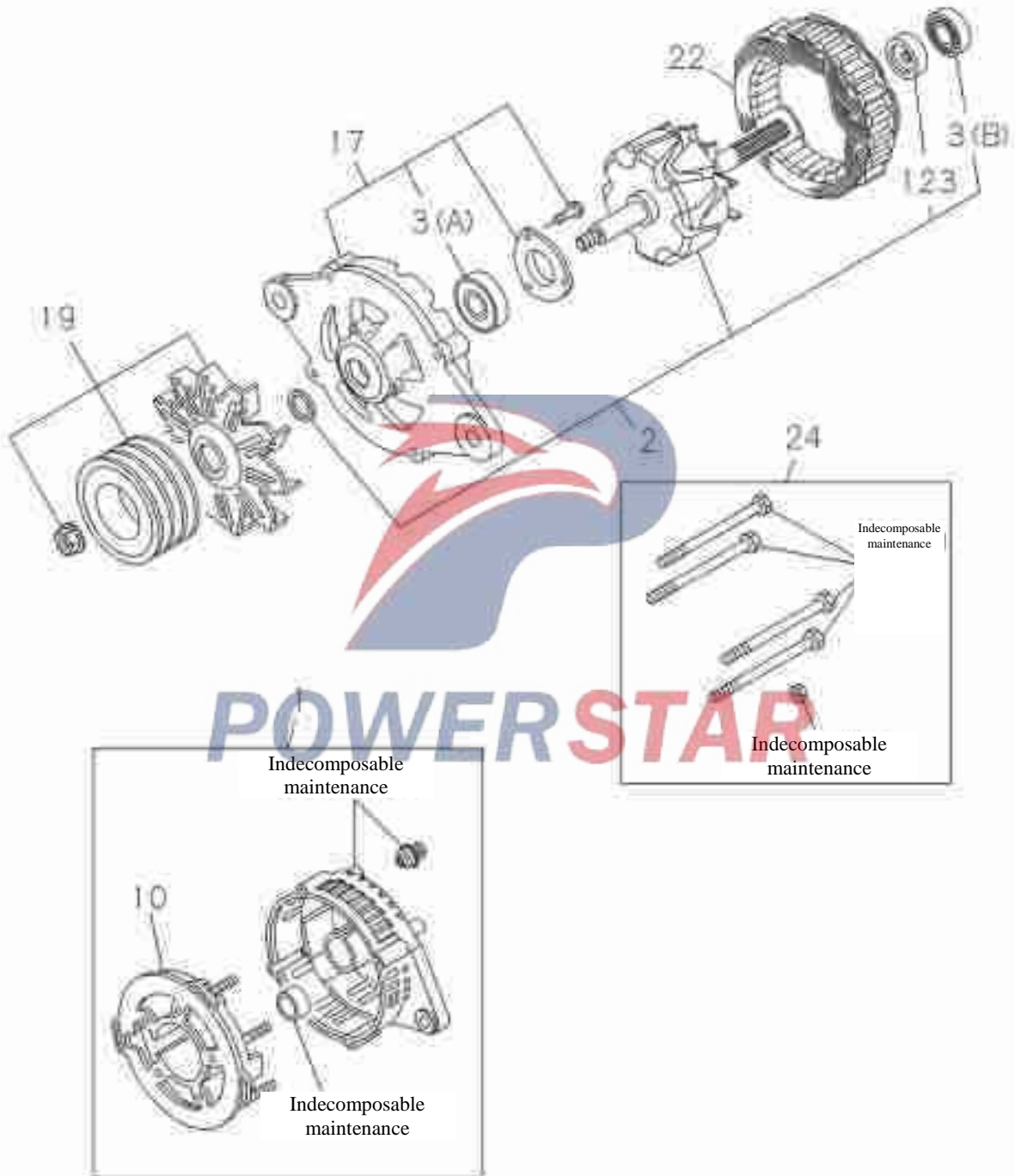


POWERSTAR

0-66

Generator

Figure No.



Generator

0-66

Figure No.

N/S	Recommended specification / name of part	
	General drawing No. / quantity / notes	
	Isuzu figure No. <small>(Application date/interchangeability)</small>	
		8980298921
		8980750260
1	Generator rear cover	
	8-98046-187-0	01
	8-98046-185-0	01
2	Generator rotor	
	8-98038-916-0	01
	8-98038-914-0	01
3	Rotor bearing	
	8-97062-744-0	01 01
	8-97161-473-0	01 01
10	Rectifier	
	8-98046-190-0	01
	8-98046-188-0	01
17	Generator front cover assembly	
	8-98038-924-0	01
	8-98076-329-0	01
19	Pulley	
	8-98040-133-0	01
	8-98038-926-0	01



0-66

Generator

Figure No.

N/S	Recommended specification / name of part	
	Isuzu figure No. (Application date/interchangeability)	General drawing No./quantity note
		8980298921
		8980750260
22	Generator stator	
	8-97249-331-0	01
	8-97192-850-0	01
24	Screw-rectifier	
	8-98038-928-0	01
	8-98038-927-0	01
123	Guiding pipe	
	8-97062-644-0	01 01

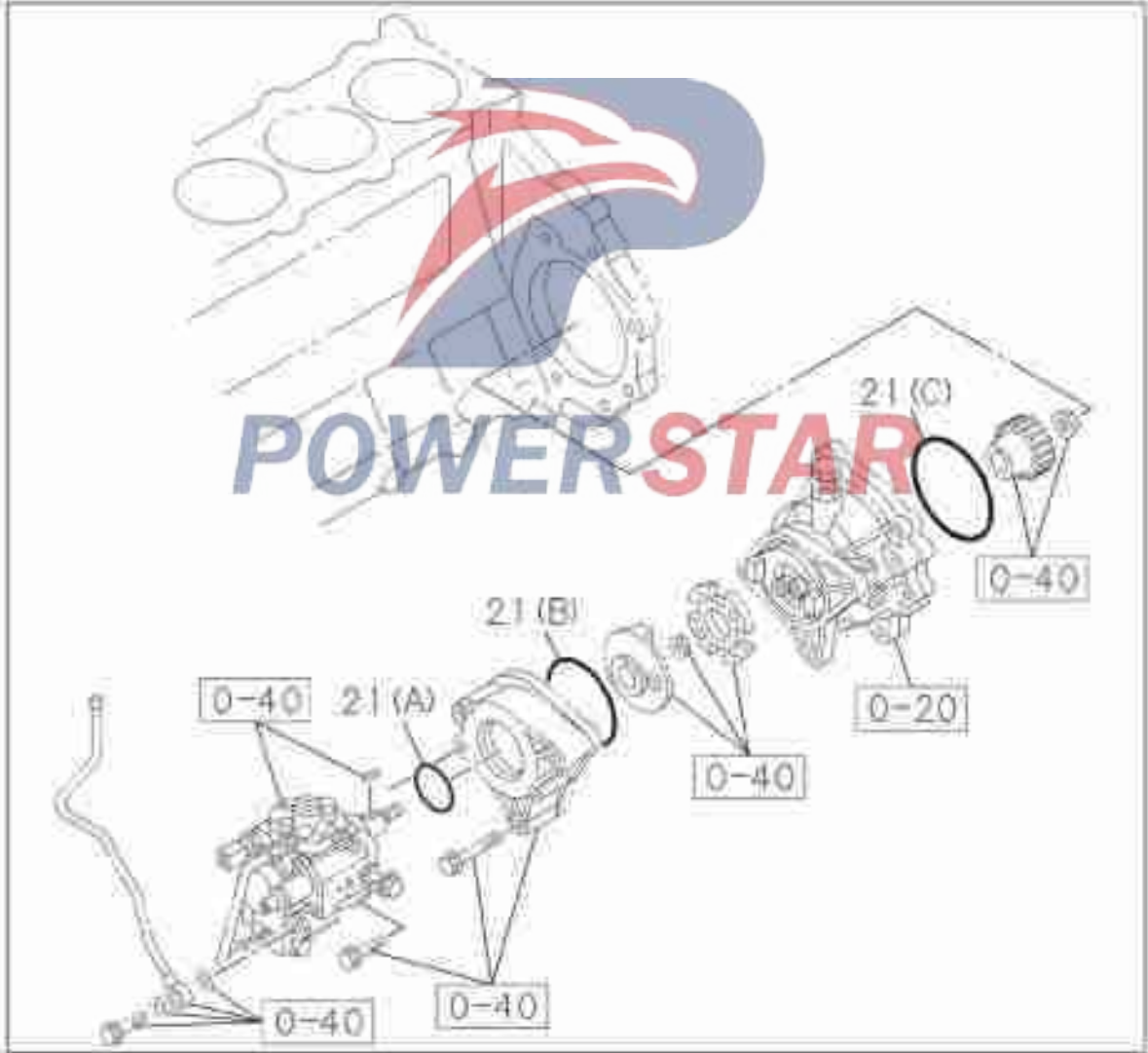
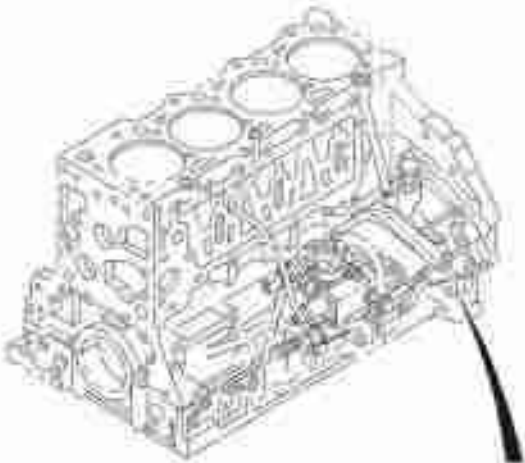


POWERSTAR

Other parts of the injection pump

0-86

Figure No.



0-86

Other parts of the injection pump

Figure No.

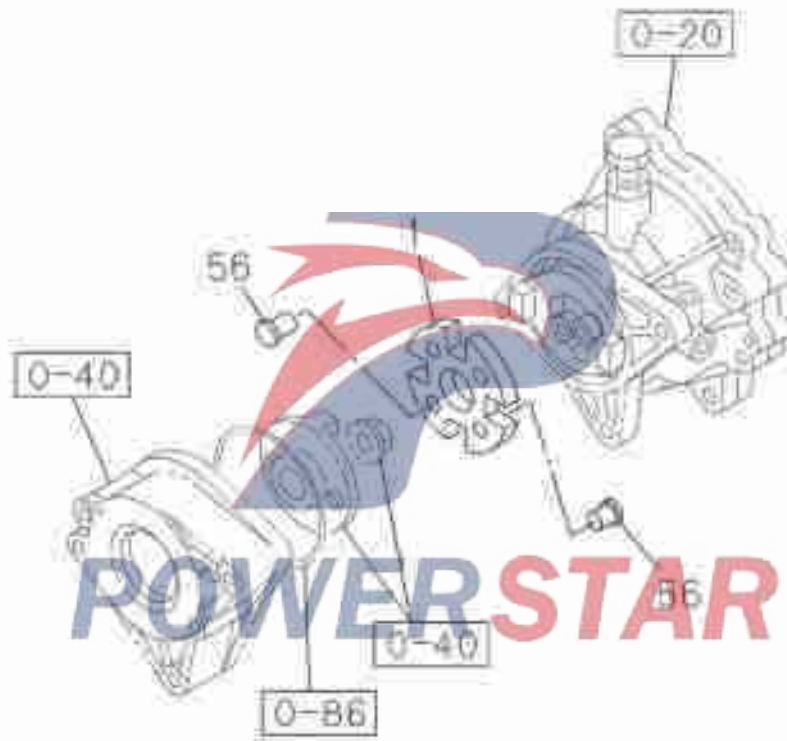
N/S	Recommended specification / name of part				
	Isuzu figure No.	QingLing figure No.	Left/Right	Qty.	Applicable models / applicable status / notes
					4HK1-TCS Engine
21	----- O-ring				
				01 A	Including in the major repair kit of engine
	1-09623-464-0			01 A	(A) Inner diameter=139.6
	1-09623-593-0			01 A	(B) Inner diameter=94.6
	8-98031-844-0			01 A	(C) Inner diameter=52

POWERSTAR

Coupling-injection pump

0-87

Figure No.

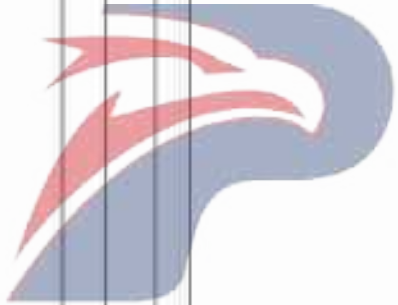


0-87

Coupling-injection pump

Figure No.

N/S	Recommended specification / name of part				Applicable models / applicable status / notes
	Isuzu figure No.	QingLing figure No.	Left/Right	Qty.	
					4HK1-TCS Engine
1	----- Coupling				
	8-97245-202-0			01	A
56	----- Rubber stopper				
	8-97264-969-0			04	A



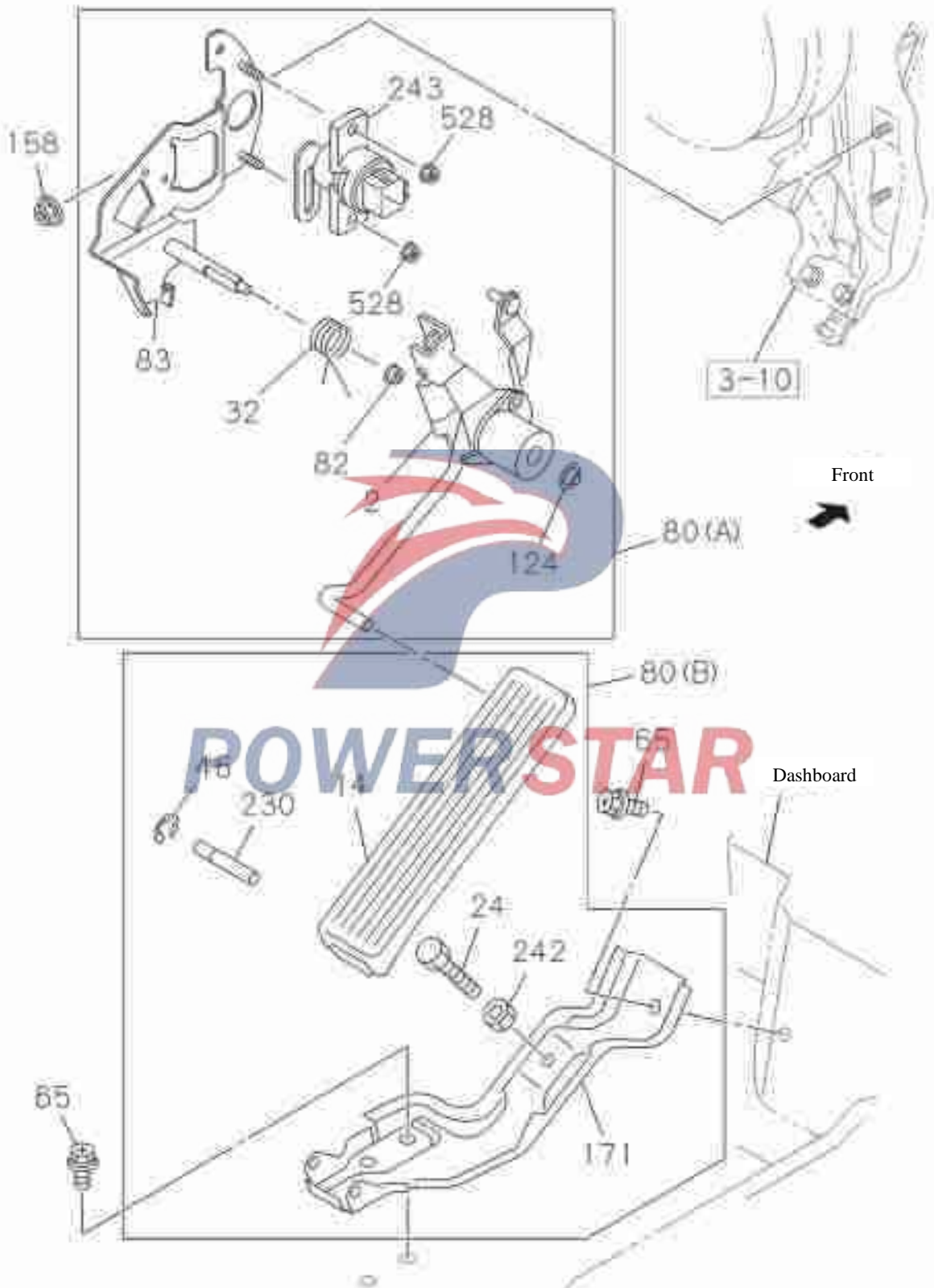
POWERSTAR

1-01

Accelerator pedal and control mechanism

Figure No.

Accelerator pedal

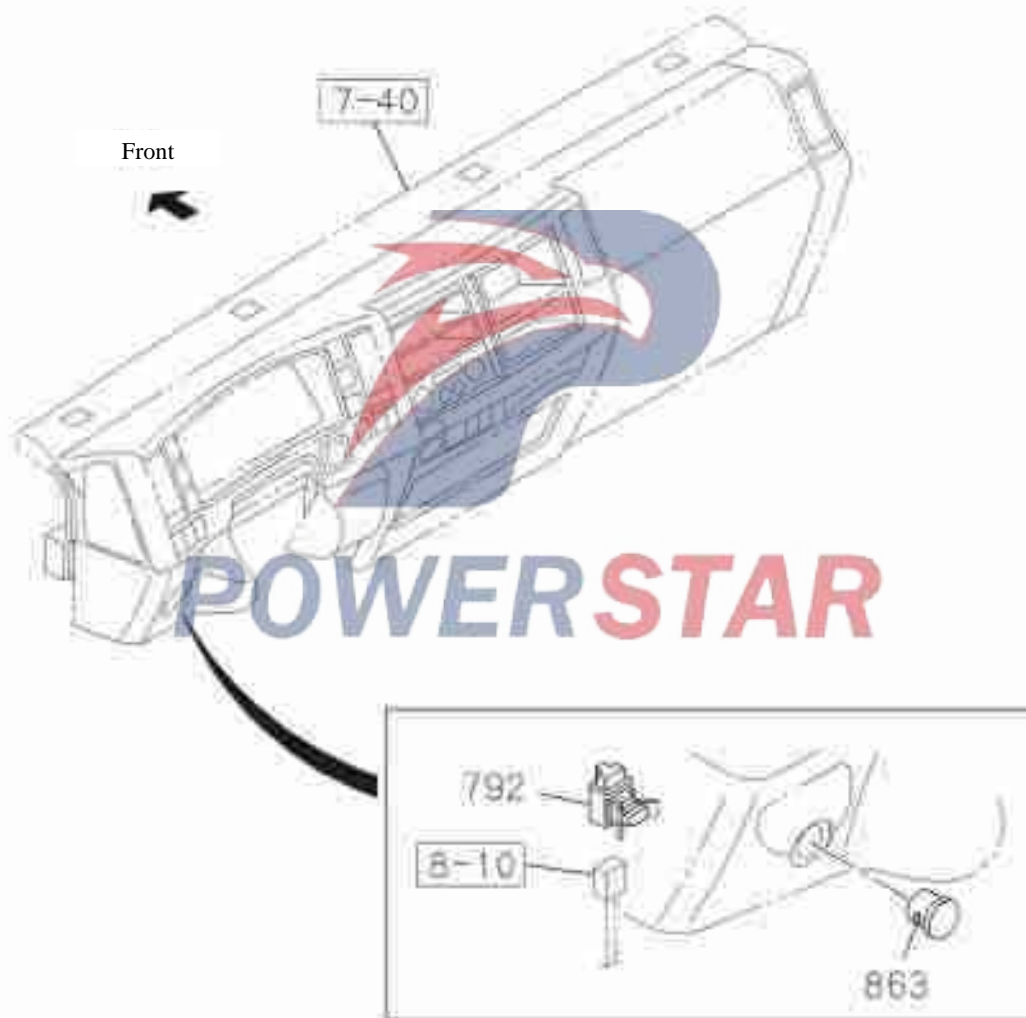


Accelerator pedal and control mechanism

1-01

Idle speed adjusting switch

Figure No.



1-01

Accelerator pedal and control mechanism

Figure No.

N/S	Recommended specification / name of part				Applicable models / applicable status / notes
	Isuzu figure No.	QingLing figure No.	Left/Right	Qty.	
2	----- Connecting rod assembly				
	8-98002-158-2			01	A
14	----- Accelerator pedal				
	8-97853-062-2	1108231-P301		01	A
24	----- Bolt				
	8-98049-562-2	1108233-P301		01	A
					M8×35 With cover
32	----- Spring				
	8-98031-665-0			01	A
46	----- Locking ring				
	0-91805-504-0	1108241-P301		01	A
					Inner diameter=4
65	----- Combination bolt				
	8-94310-730-0	5207121-803		03	A
					M8×16
80	----- Accelerator pedal connecting rod assembly				
	8-97387-358-1			01	A
					(A)
	8-98006-714-1	1108210-P301		01	A
					Accelerator pedal bracket assembly
					(B)

Accelerator pedal and control mechanism

1-01

Figure No.

S/N	Recommended specification / name of part				
	Isuzu figure No.	QingLing figure No.	Left/Right	Qty.	Applicable models / applicable status / notes
					Single cab
82	----	Washer			
	8-97581-053-0			02	A
83	----	Bracket assembly			
	8-98023-885-2			01	A
124	----	Nut			
	8-94368-617-0			01	A
					Diameter=17.5
158	----	Flange nut- control rod			
	8-94279-060-0	Q32008		02	A
					M8 Tape reel
171	----	Bracket assembly			
	8-98006-716-1	1108220-P301		01	A
230	----	Pin			
	8-98026-806-0	1108232-P301		01	A
242	----	Nut			
	8-980404-024-0	1108235-P301		01	A
					M8 Tape reel

1-01

Accelerator pedal and control mechanism

Figure No.

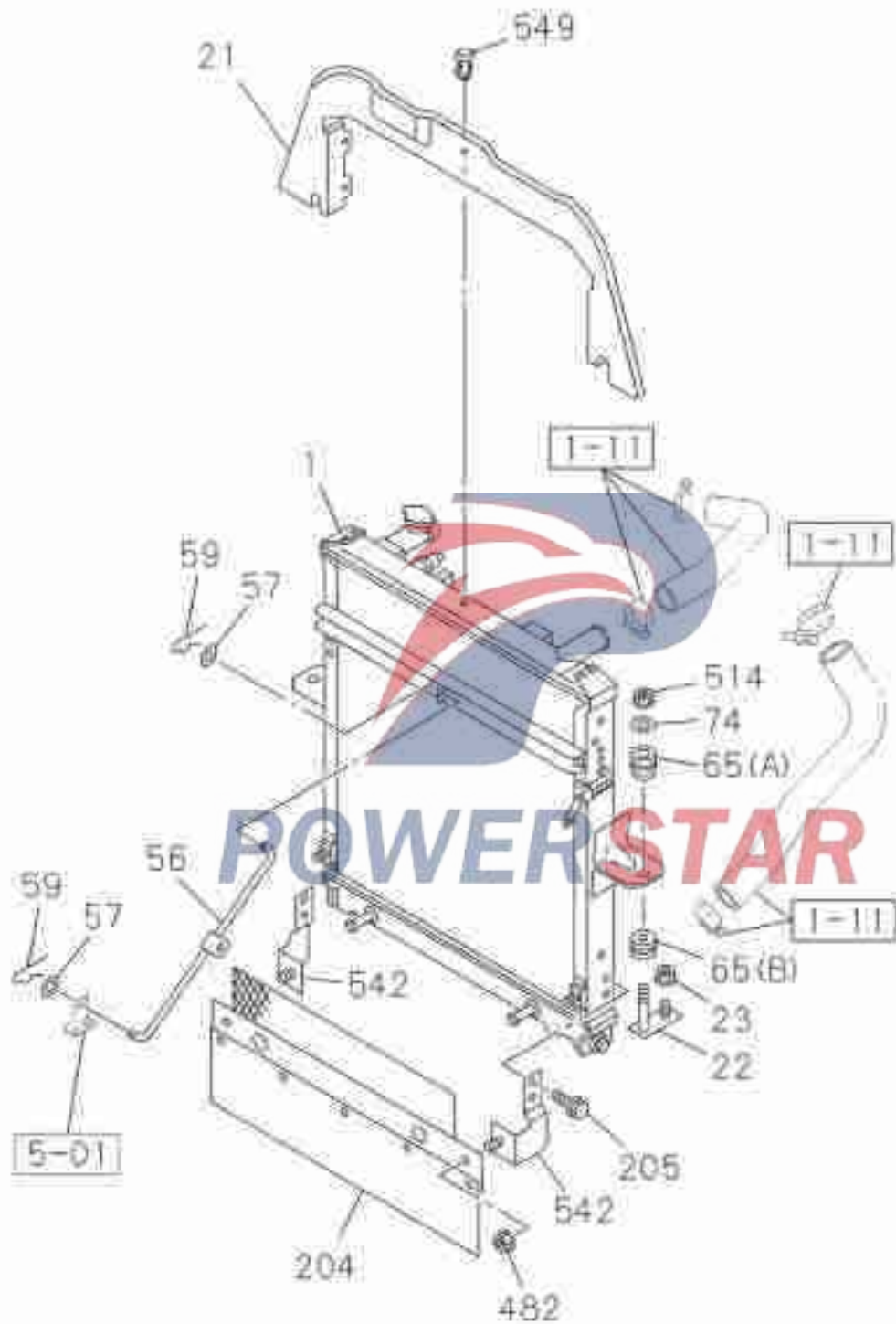
N/S	Recommended specification / name of part				
	Isuzu figure No.	QingLing figure No.	Left/Right	Qty.	Applicable models / applicable status / notes
					Single cab
243	-----	Sensor			
	8-97602-416-0			01	A
528	-----	Nut			
	8-94169-022-0			02	A
792	-----	Resistor - idle gear adjusting			
	8-98013-906-0			01	A
863	-----	Cover			
	8-97408-816-0	S207211-P301		01	A Grey

Radiator installation

1-10

NO.1

Figure No.

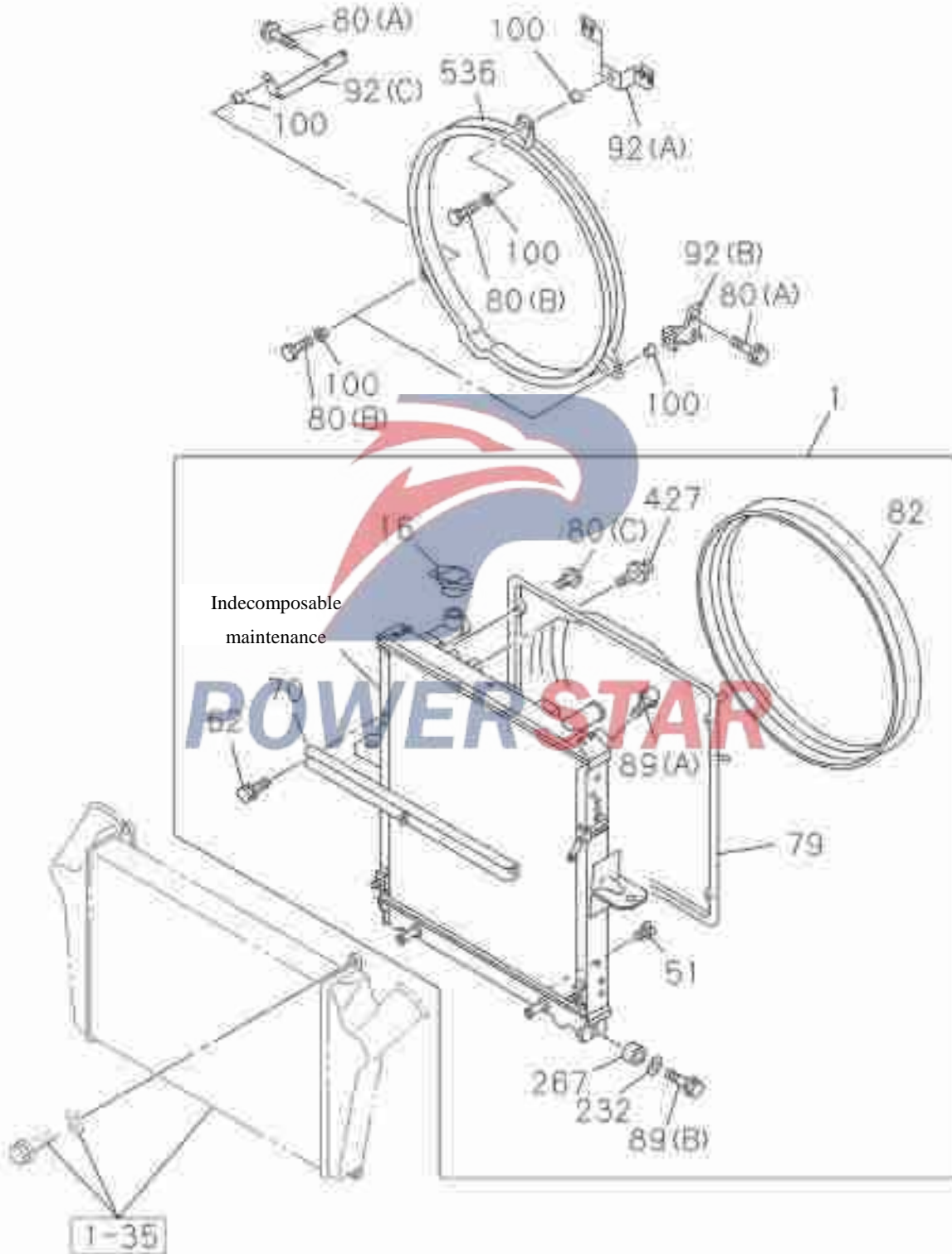


1-10

Radiator installation

Figure No.

NO.2



Radiator installation

1-10

Figure No.

N/S	Recommended specification / name of part				
	Isuzu figure No.	QingLing figure No.	Left/Right	Qty.	Applicable models / applicable status / notes
					Single cab
1	Radiator assembly				
	8-98046-663-0			01	A
16	Cover				
	8-97239-187-0	1301061-P301		01	A
21	Sealing strip - radiator grid				
	8-98006-486-3	1300181-P301		01	A
22	Connection board				
	8-97330-527-1	1300151-P301		02	A
23	Hexagon flange nut				
	0-91180-108-0	Q32008		02	A
					M8
51	Screw plug assembly				
	8-97171-437-0	1301030-P301		01	A
56	Supporting rod assembly- radiator (upper)				
	8-98049-051-0	1300161-P301		01	A
57	Small washer				
	0-91610-510-0	Q40010		02	A
					Inner diameter=105

1-10

Radiator installation

Figure No.

N/S	Recommended specification / name of part				Applicable models / applicable status / notes
	Isuzu figure No.	QingLing figure No.	Left/Right	Qty.	
59	----- Elastic clamp pin-support bar and radiator				
	8-97359-052-0	1300171-P301	02	A	Length=32.6
62	----- Flange bolts				
	0-28050-812-0	Q1840812	02	A	M8*12
65	----- Brace rubber pad - radiator				
	8-94249-346-0	1300051-803	02	A	Upper section (A)
	8-94249-347-0	1300052-803	02	A	Lower section (B)
70	----- Supporting rod assembly- radiator				
	8-98018-941-0	1301020-P301	01	A	
74	----- Flat washer- fastening the radiator to the bracket				
	8-97359-049-1	1300111-P301	02	A	Inner diameter=8.5 Outer diameter=36
79	----- Fan diversion hood				
	8-98006-477-0	1301051-P301	01	A	

Radiator installation

1-10

Figure

N/S	Recommended specification / name of part				Applicable models / applicable status / notes
	Isuzu figure No.	QingLing figure No.	Left/Right	Qty.	
80	Hexagon flange bolt				
	0-28151-020-0			02	A (A) M10×20
	0-28650-830-0	1840830		03	A (B) M8×30
	1-21559-481-0			04	A (C) M6×16
82	Fan cover				
	8-98006-478-0	1301081-P301		01	A
89	Flange bolts				
	0-28050-812-0	Q1840812		02	A (A) M8×12
	1-21469-153-0			02	A (B) M8×25
92	Bracket				
	8-97382-827-1			01	A (A)

1-10

Radiator installation

Figure No.

N/S	Recommended specification / name of part				
	Isuzu figure No.	QingLing figure No.	Left/Right	Qty.	Applicable models / applicable status / notes
					Single cab
92	Bracket				
	8-97386-233-0	1300311-P301		01	A
					(B)
	8-97350-997-0	1300291-P301		01	A
					(C)
100	Rubber parts				
	1-099337-027-0	1300281-P301		06	A
204	Air guide sleeve assembly				
	8-98025-413-0	1300210-P301		01	A
205	Hexagon flange bolt				
	0-28050-610-0	Q1840610		04	A
					M6×10
232	Washer-rubber damping cushion				
	1-87410-723-0			02	A
267	Rubber damping cushion				
	1-21467-023-0			02	A
427	Blocking nail-fan diversion hood				
	1-09470-009-0			01	A

Radiator installation

1-10

Figure No.

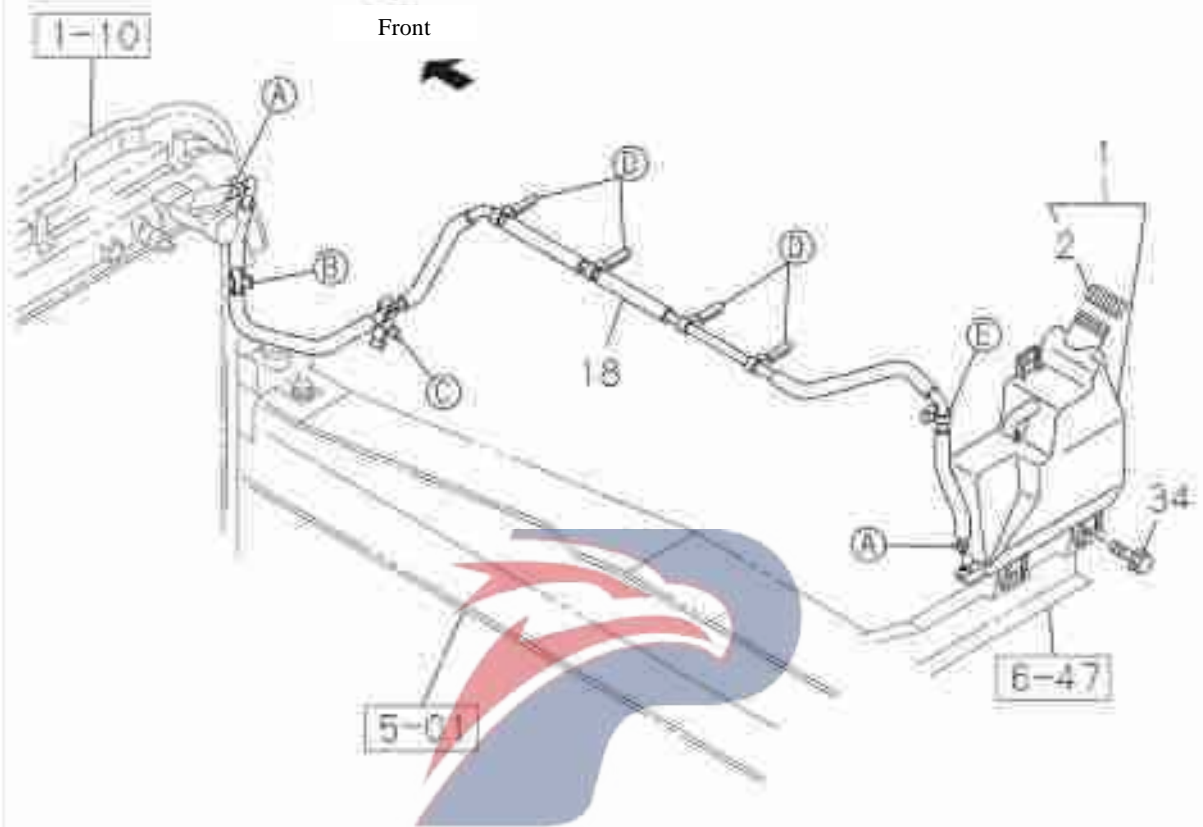
N/S	Recommended specification / name of part				
	Isuzu figure No.	QingLing figure No.	Left/Right	Qty.	Applicable models / applicable status / notes
					Single cab
482	Hexagon flange nut				
	0-91180-108-0	Q32008		02	A MR
514	Nut				
	0-91180-108-0			02	A MR Tape reel
536	Fan diversion hood				
	8-97350-995-0	1300271-P301		01	A
542	Bracket				
	8-98025-414-0	1300251-P301	Left	01	A
	8-98025-415-0	1300261-P301	Right	01	A
549	Clip				
	8-97228-568-0	1300191-P301		07	A

1-11






Radiator water pipes and spare water tanks

Figure No.

Standby water tank



POWERSTAR

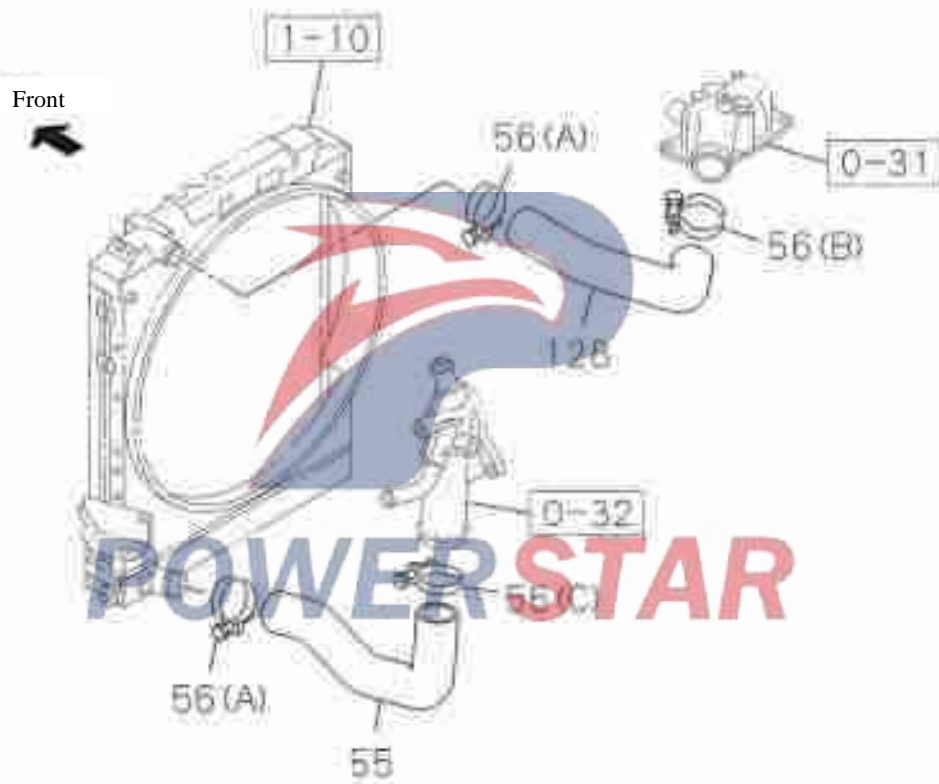
(A)	(B)	(C)	(D)	(E)
				

Radiator water pipes and spare water tanks

Standby water tank

1-11

Figure No.



1-11

Radiator water pipes and spare water tanks

Figure No.

N/S	Recommended specification / name of part				Applicable models / applicable status / notes
	Isuzu figure No.	QingLing figure No.	Left/Right	Qty.	
1	Standby water tank assembly				
	8-97387-632-1	1300010-P301		01	A
2	Cover- standby water tank				
	8-97217-796-0			01	A
13	Pipe clamp - hose assembly				
	1-09709-290-0	1300131-P301		01	A
					Clip (A) Inner diameter=13×-18 Length = 14.5
	5-09700-319-0	1303101-803		04	A
					Clip (C) Inner diameter=14 Length =47
	8-94438-996-0	1303102-801		01	A
					(B) Inner diameter=10&11
	8-98029-256-0	1300141-P301		01	A
					Clip (D) Inner diameter=12
18	Cold water pipe assembly				
	8-98006-531-3	1300120-P301		01	A
					Length=1450

Radiator water pipes and spare water tanks

1-11

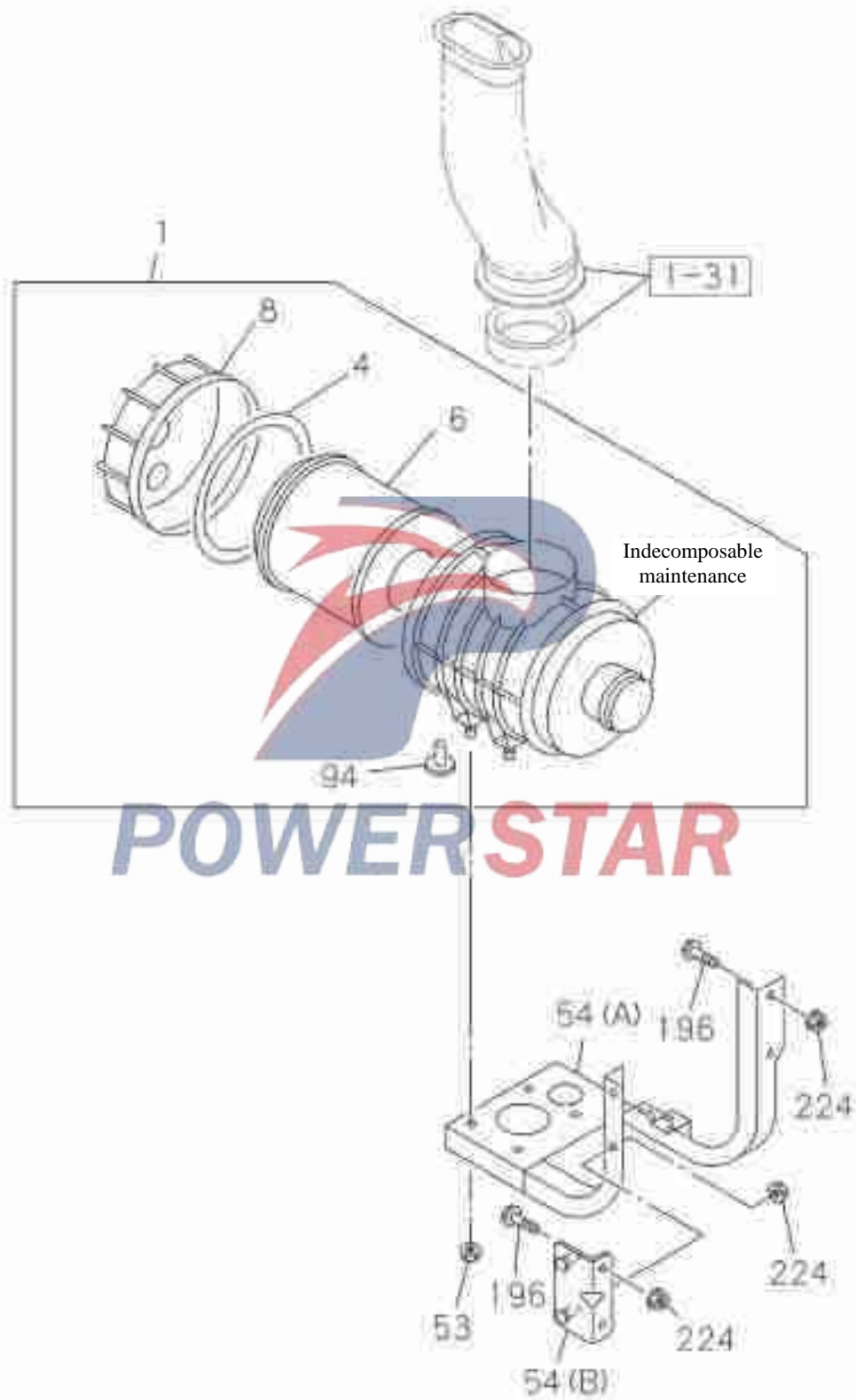
Figure No.

N/S	Recommended specification / name of part				Applicable models / applicable status / notes
	Isuzu figure No.	QingLing figure No.	Left/Right	Qty.	
19	----- Pipe clamp				
	8-94238-610-0	1014102-44		02	A Inner diameter=12
34	----- Combination bolt				
	1-09030-042-0	1300112-P301		03	A M8×22
55	----- Water inlet rubber hose of radiator				
	8-98006-453-0	1303013-P301		01	A
56	----- Hoop				
	8-98036-282-0	1303014-P301		01	A (A) Inner diameter=48
	8-98036-283-0	1303012-P301		01	A (B) Inner diameter=52
	8-98036-284-0	1303015-P301		01	A (C) Inner diameter=62
128	----- Water outlet rubber hose of radiator				
	8-98006-452-0	1303011-P301		01	A

1-30

Air filter

Figure No.



Air filter

1-30

Figure No.

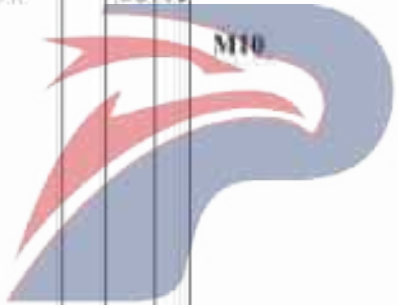
S/N	Recommended specification / name of part				
	Isuzu figure No.	QingLing figure No.	Left/Right	Qty.	Applicable models / applicable status / notes
					Single cab
1	----- Air filter assembly				
	8-97381-532-1	1109010-P301		01	A
4	----- Sealing gasket-end cap to housing				
	8-97352-113-0			01	A
6	----- Air filter element				
	8-97062-294-0			01	A
8	----- End cover assembly				
	8-98050-434-0			01	A
53	----- Hexagon flange nut				
	0-91180-108-0	Q32008		04	A M8
54	----- Bracket				
	8-98032-125-1	1109111-P301		01	A Bracket - air filter (B)
	8-98047-140-3	1109121-P301		01	A (A)
94	----- Vacuum valve-air filter				
	8-97352-112-0			01	A

1-30

Air filter

Figure No.

N/S	Recommended specification / name of part				
	Isuzu figure No.	QingLing figure No.	Left/Right	Qty.	Applicable models / applicable status / notes
					Single cab
196	----- Flange bolts				
	0-28651-035-0	Q1841035		02 A	M10×35
224	----- Hexagon flange nut				
	0-91180-110-0	Q32010		06 A	M10



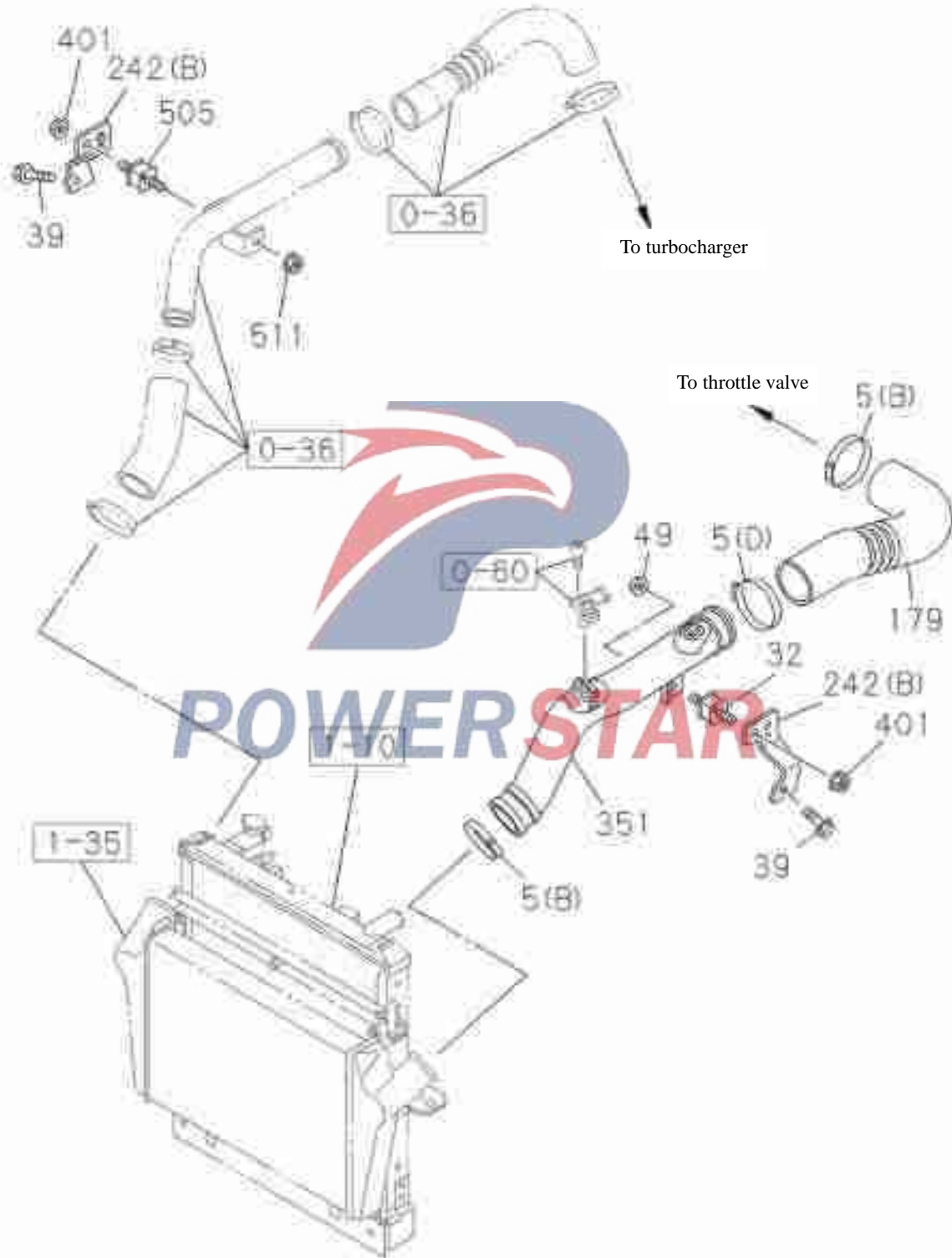
POWERSTAR

Air inlet pipelines

Intercooler pipes

1-31

Figure No.

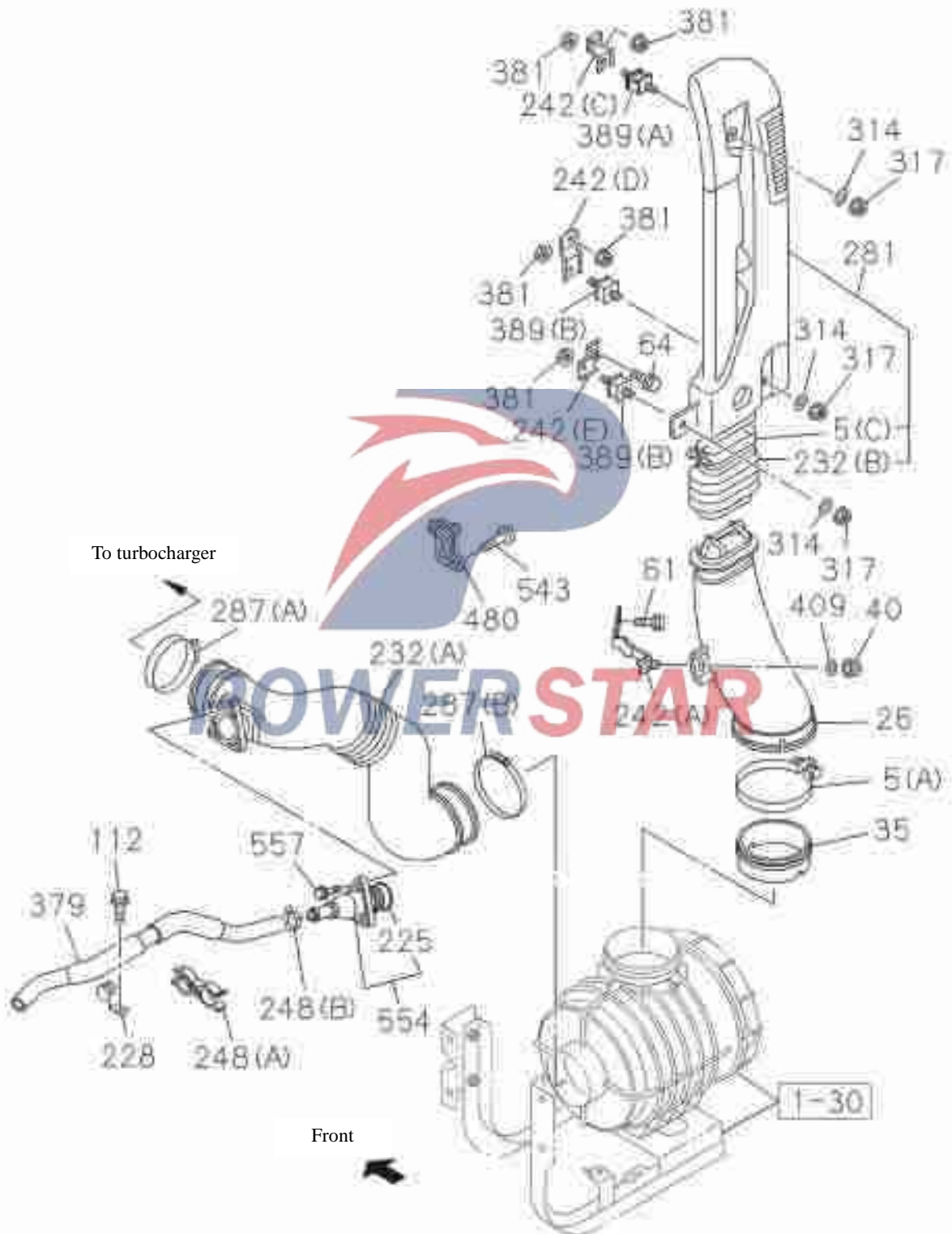


1-31

Air inlet pipelines

Figure No.

Vertical pipe



Air inlet pipelines

1-31

Figure No.

S/N	Recommended specification / name of part					
	Isuzu figure No.	QingLing figure No.	Left/Right	Qty.		Applicable models / applicable status / notes
						Single cab
5	----- Hoop - air inlet hose and air filter					
	1-09707-198-0	1109114-44	01	A	(D) Inner diameter=77×-95	
	1-09707-202-0	1109117-44	02	A		
	9-09915-502-1	1109172-P301	01	A	(B) Inside diameter =68-85 Hoop Hoop - air inlet hose Diameter=101.6	
	9-09915-504-1	1109430-850	01	A	Hoop - air inlet hose	
26	----- Air inlet pipes				(A)	
	8-98025-626-0	1109131-P301	01	A		
32	----- Mounting support					
	8-98036-826-0	1109520-P301	01	A		
35	----- Joint					
	8-98029-332-0	1109141-P301	01	A		
39	----- Flange bolts					
	0-28650-825-0	Q1840825	02	A	M8×25	

1-31

Air inlet pipelines

Figure No.

N/S	Recommended specification / name of part				
	Isuzu figure No.	QingLing figure No.	Left/Right	Qty.	Applicable models / applicable status / notes
					Single cab
40	Hexagon flange nut				
	0-91180-110-0	Q32010		01 A	M10
49	Hexagon flange nut				
	0-91180-108-0	Q32008		01 A	M8
61	Flange bolts				
	0-28650-825-0	Q1840825		01 A	M8×25
64	Bolt				
	0-52000-816-0			01 A	
112	Flange bolts				
	0-28050-812-0	Q1840812		01 A	M8×12
179	Intake pipe				
	8-98019-957-1	1109261-P501		01 A	
225	O-ring				
	9-09561-344-0			01 A	Inner diameter=43.7

Air inlet pipelines

1-31

Figure No.

N/S	Recommended specification / name of part				
	Isuzu figure No.	QingLing figure No.	Left/Right	Qty.	Applicable models / applicable status / notes
					Single cab
228	Pipe clamp-PVC hose				
	1-09700-948-0			01	A Inner diameter=28 Height = 45 Length = 30
232	Air inlet pipes				
	8-98059-956-0	1109181-P301		01	A (A)
	8-98082-535-0	1109191-P301		01	A Air intake hose-vertical intake pipe and intake pipe (B)
242	Bracket				
	8-98004-416-0	1109151-P301		01	A (A)
	8-98032-142-1	1109241-P301	Right	01	A (B)
	8-98032-143-1	1109271-P301	Left	01	(B)
	8-98036-646-1	1109531-P301		01	Bracket - air filter (C)
	8-98036-647-1	1109561-P301		01	(D)
	8-98036-649-1	1109551-P301	Right	01	(D)
			Left	01	(E)

1-31

Air inlet pipelines

Figure No.

N/S	Recommended specification / name of part				Applicable models / applicable status / notes	
	Isuzu figure No.	QingLing figure No.	Left/Right	Qty.	Single cab	
248	Clip					
	8-97181-208-0			01	A	(A) Inner diameter=25.5&13
	8-97203-074-0			01	A	(B) Inner diameter=21.7
281	Vertical air intake pipe assembly					
	8-98000-230-3	1109170-P301		01	A	
287	Hoop - air inlet hose and air filter					
	1-09707-202-0	1109117-44		01	A	(A) Inside diameter =68-85
	9-09915-074-1	1109430-850		01	A	Hoop - air inlet hose (B) Inner diameter=112
314	Big washer					
	0-91614-810-0	Q40210		03	A	Inner diameter=10.5 Outer diameter=32
317	Nut					
	8-97581-234-0	1109118-P301		03	A	M8 Tape reel

Air inlet pipelines

1-31

Figure No.

S/N	Recommended specification / name of part				Applicable models / applicable status / notes
	Isuzu figure No.	QingLing figure No.	Left/Right	Qty.	
351	Air inlet pipes assembly				
	8-98039-933-1	1109250-P301		01	A
379	PVC pipe				
	8-98075-711-0	1014232-P301		01	A
381	Nut				
	8-97581-234-0	1109118-P301		05	A
					M8 Tape reel
389	Cushion assembly				
	8-98036-825-0	1109510-P301		01	A
					(A)
	8-98036-826-0	1109520-P301		02	A
					Mounting support
					(B)
401	Hexagon flange nut				
	0-91180-108-0	Q32008		02	A
					M8
409	Big washer				
	0-91614-810-0	Q40210		01	A
					Inner diameter=10.5 Outer diameter=32

1-31

Air inlet pipelines

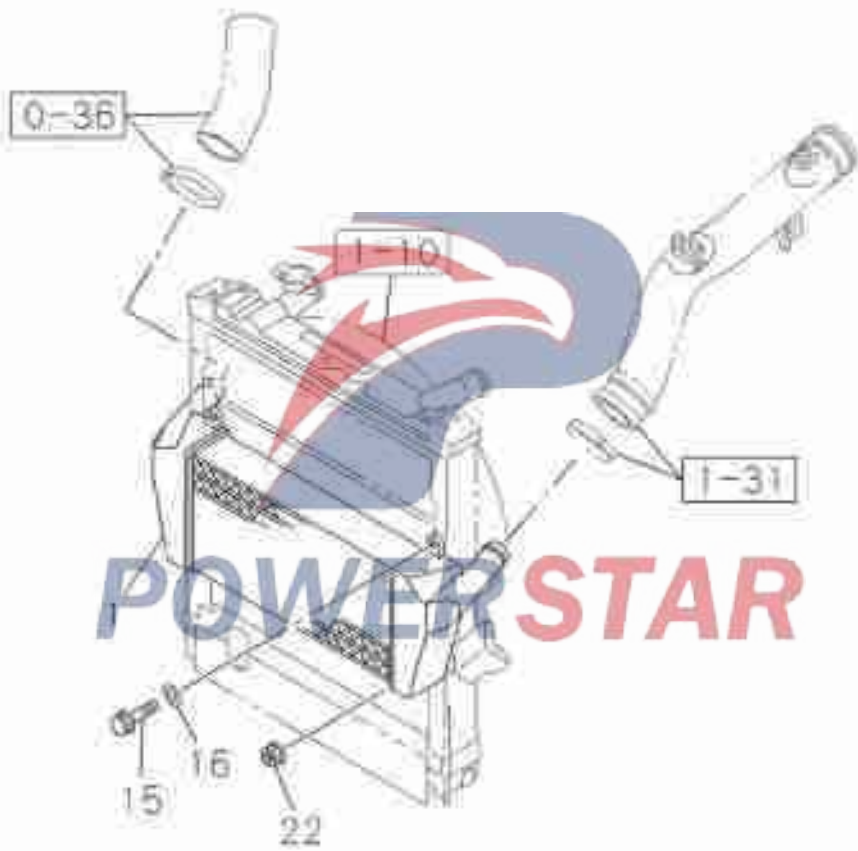
Figure No.

S/N	Recommended specification / name of part				
	Isuzu figure No.	QingLing figure No.	Left/Right	Qty.	Applicable models / applicable status / notes
					Single cab
480	----- Connecting bracket				
	8-98086-417-0			01	A
505	----- Mounting support				
	8-98036-826-0	1109520-P301		01	A
511	----- Hexagon flange nut				
	0-91180-108-0	Q32008		01	A
					M8
543	----- Cross recess pan head combination screw				
	0-36230-412-0	Q23604T2		02	A
					M4*12
554	----- Flange - PCV tube				
	8-98038-208-0			01	A
557	----- Flange bolts				
	0-28050-616-0	Q1840616		03	A
					M6*16

Intercooler

1-35

Figure No.

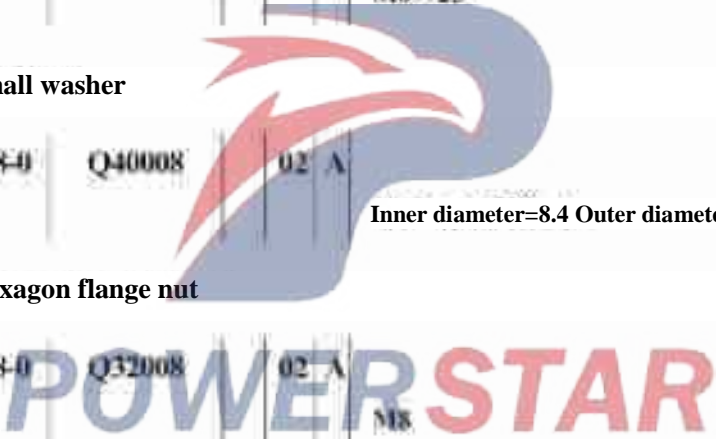


1-35

Intercooler

Figure No.

N/S	Recommended specification / name of part				
	Isuzu figure No.	QingLing figure No.	Left/Right	Qty.	Applicable models / applicable status / notes
					Single cab
1	Intercooler assembly				
	8-98006-479-0			01	A
15	Hexagon flange bolt				
	0-28050-825-0	Q1840825		02	A
					M8×25
16	Small washer				
	0-91610-508-0	Q40008		02	A
					Inner diameter=8.4 Outer diameter = 16
22	Hexagon flange nut				
	0-91180-108-0	Q32008		02	A
					M8

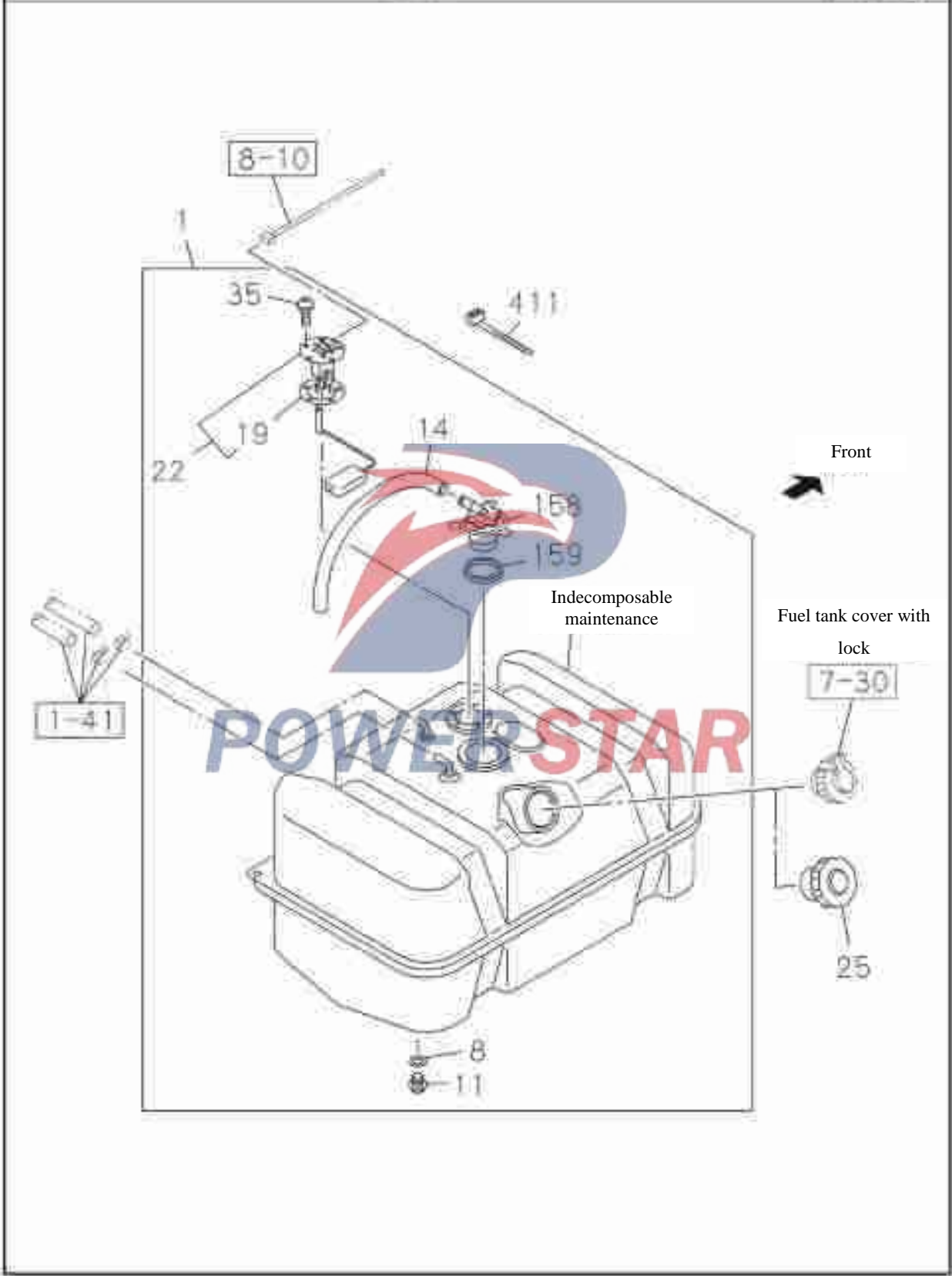


Fuel tank

1-40

Fuel tank

Figure No.

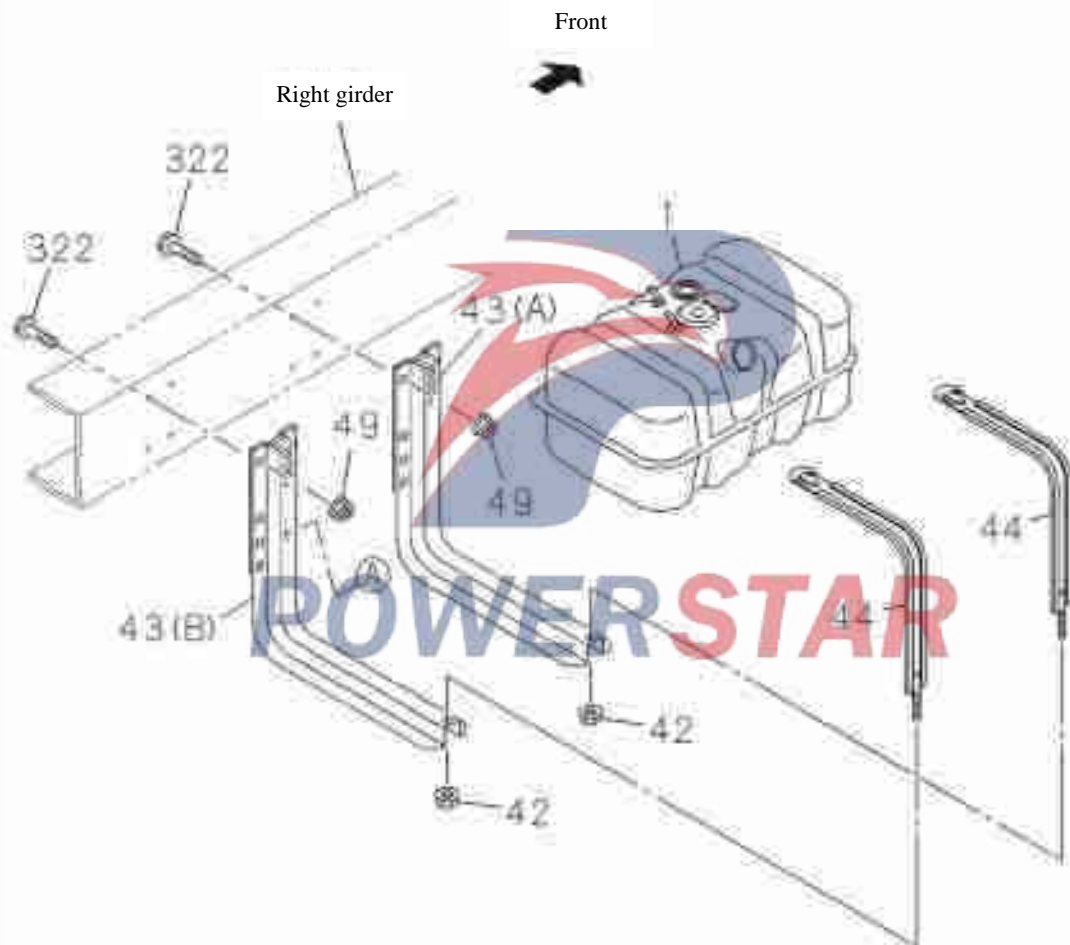


1-40

Fuel tank

Figure No.

Fuel tank installation

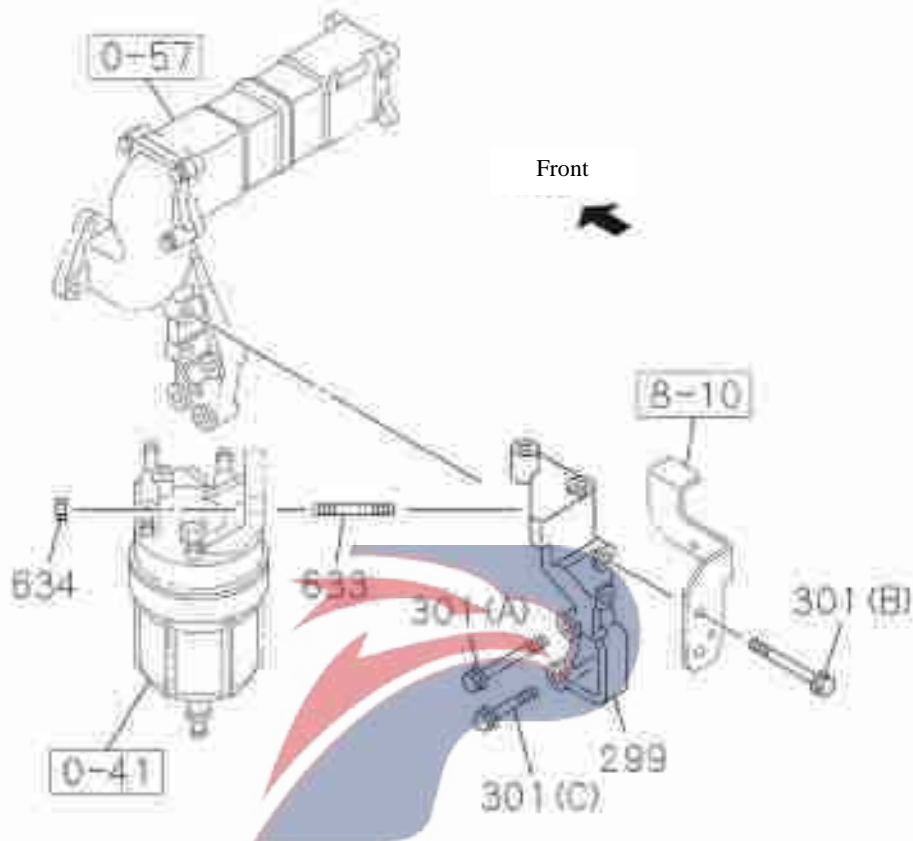


Fuel tank

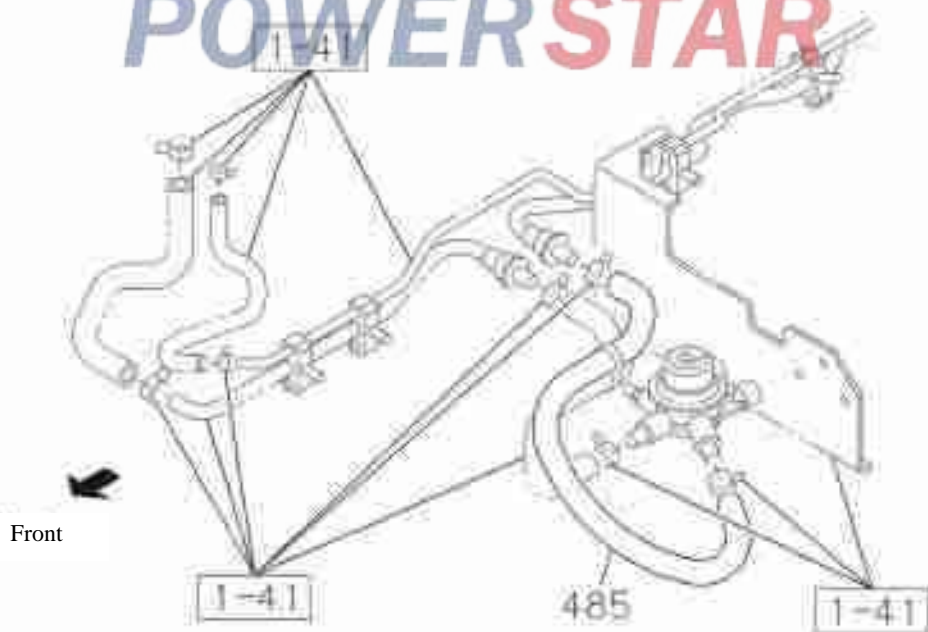
1-40

Fuel tank bracket and fuel pipes

Figure No.



POWERSTAR



1-40		Fuel tank				
Figure No.		Recommended specification / name of part				
N/S	Isuzu figure No.	QingLing figure No.	Left/Right	Qty.	Applicable models / applicable status / notes	
					Single cab	
1	----- Fuel tank assembly					
	8-98062-738-1	1101010-850		01	A	756×482×376 100L
8	----- Sealing gasket- oil drain screw plug					
	9-09572-014-0	Q72314		01	A	Inner diameter=14.2 Outer diameter=23.0
11	----- Oil bleeder screw plug					
	9-09862-156-0	1101136-10		01	A	M14×14
14	----- Breather hose					
	8-97135-581-0			01	A	Length=480
19	----- Rubber sealing gasket - fuel sensor					
	8-98051-797-0			01	A	
22	----- Fuel sensor assembly					
	8-98056-705-0	3806040-15		01	A	
25	----- Fuel tank cap					
	8-97387-179-0	1101200-802		01	A	

Fuel tank

1-40

Figure No.

N/S	Recommended specification / name of part				
	Isuzu figure No.	QingLing figure No.	Left/Right	Qty.	Applicable models / applicable status / notes
					Single cab
35	----- Cross recess pan head combination screw				
	0-36220-512-0	Q2320512		05	A M5*12
42	----- Loosen the lock nut (type 2 all metal).				
	9-09130-408-0	Q33408		02	A M8 Tape reel
43	----- Fuel tank bracket				
	8-97384-060-3	1101311-15		01	A Front (A)
	8-97384-062-4	1101311-15		01	A Rear (B)
44	----- Fuel tank hook band				
	8-97384-080-2	1101350-15		02	A Length=795
49	----- Nut				
	0-91180-210-0	Q32010T13		08	A M10
158	----- Vacuum valve				
	8-97179-645-0	1101051-850		01	A
159	----- Sealing pad - vacuum valve				
	8-97326-488-0	1101061-850		01	A

1-40

Fuel tank

Figure No.

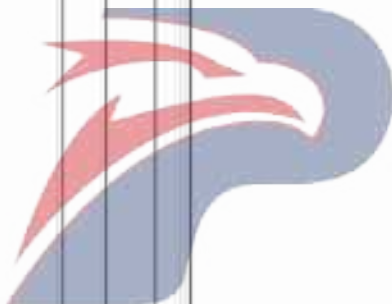
N/S	Recommended specification / name of part				A	Applicable models / applicable status / notes	
	Isuzu figure No.	QingLing figure No.	Left/Right	Qty.			Single cab
301	Hexagon flange bolt						
	0-28151-200-0	Q18412100		01	A	(A) M12×100	
	0-28151-250-0	Q1841250		02	A	(B) M12×50	
	0-28151-280-0	Q1841280		01	A	(C) M12×80	
322	Hexagon flange bolt						
	0-28661-040-0	Q1841040FF2		08	A	M10×40	
411	Clip, harness						
	5-09707-031-1	3724551-803		02	A	Length=140	
485	Fuel hose--to big pump						
	8-98041-728-0	1104011-P301		01	A		
633	Studs						
	0-41010-825-0			02	A	M8×25 Length=37	

Fuel tank

1-40

Figure No.

S/N	Recommended specification / name of part			
	Isuzu figure No.	QingLing figure No.	Left/Right	Qty.
				Applicable models / applicable status / notes
				Single cab
634	0-91180-108-0	Q32008	2	A Nut MK Tape reel



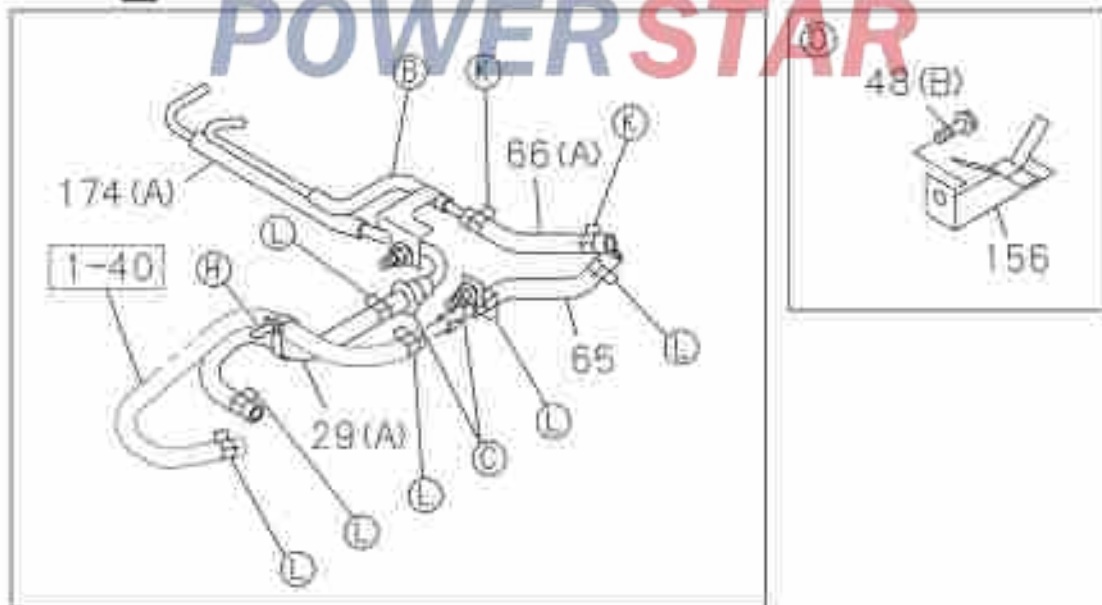
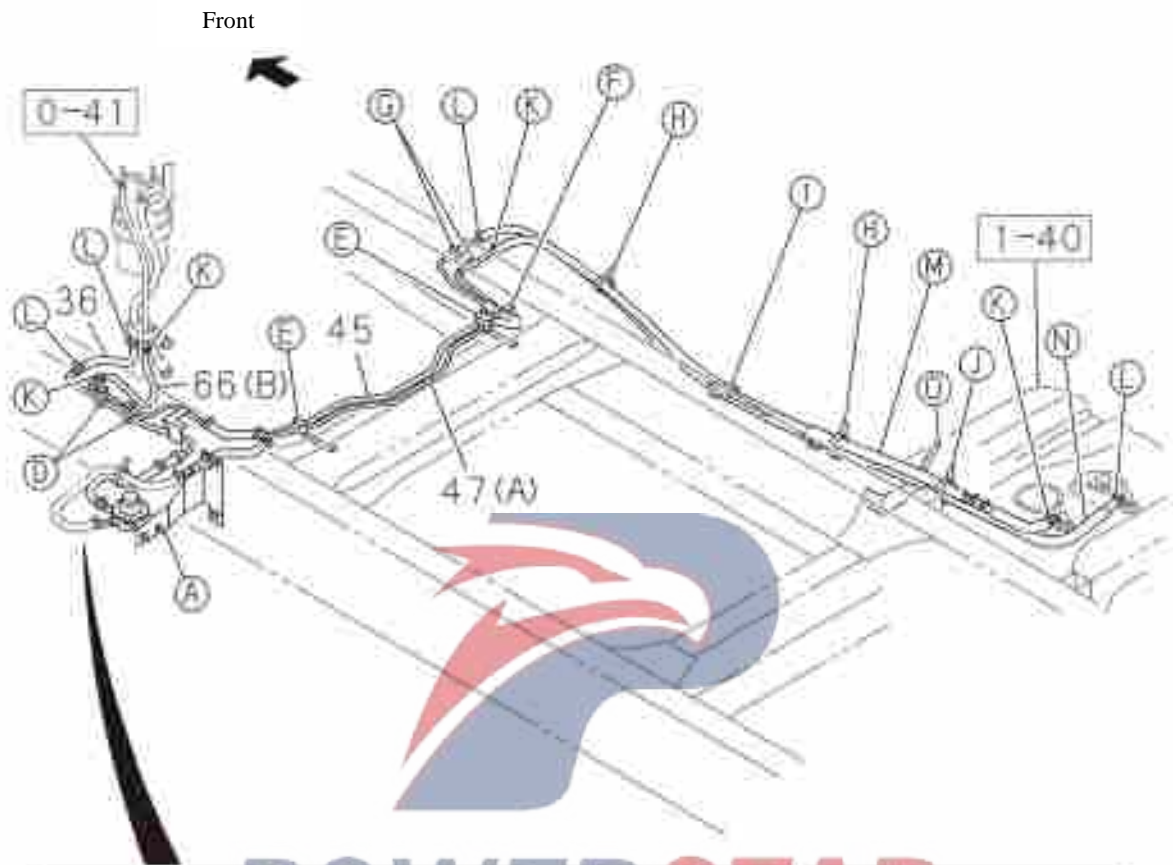
POWERSTAR

1-41

Fuel pipeline

Figure No.

NO.1

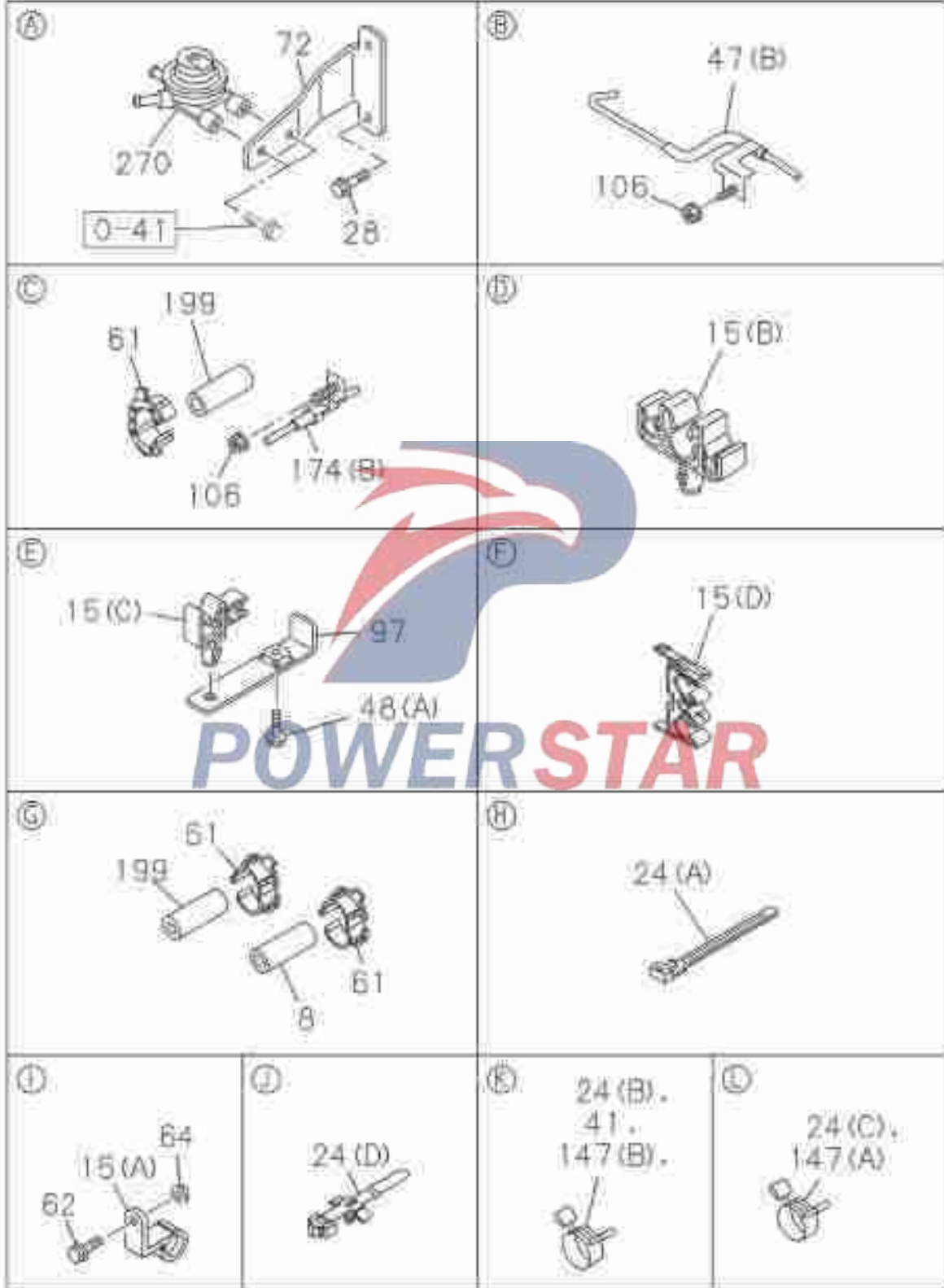


Fuel pipeline

NO.2

1-41

Figure No.

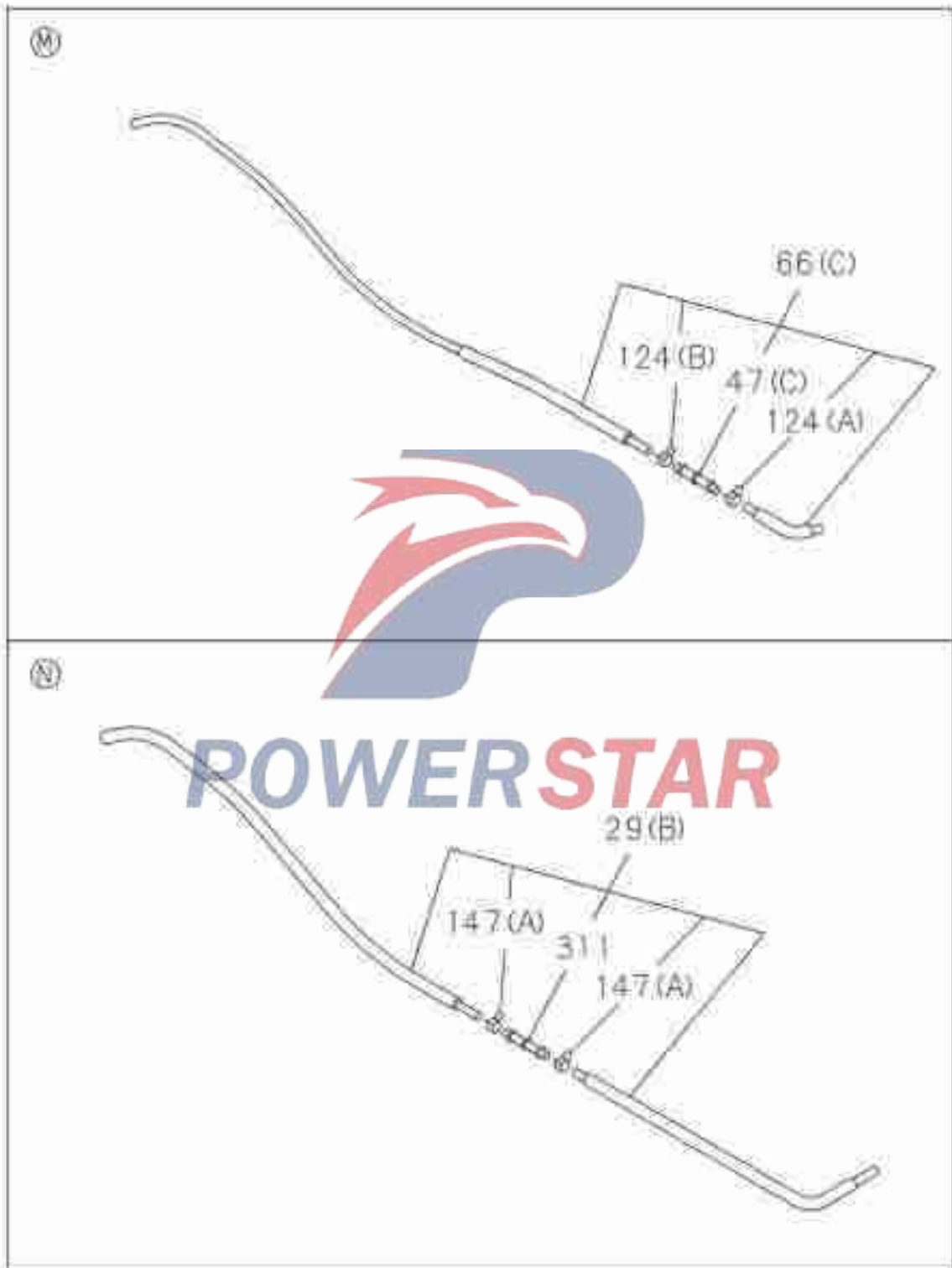


1-41

Fuel pipeline

Figure No.

NO.3



Fuel pipeline

1-41

Figure No.

N/S	Recommended specification / name of part				Applicable models / applicable status / notes
	Isuzu figure No.	QingLing figure No.	Left/Right	Qty.	
8	Pipe rubber sleeve - oil return pipe				
	8-94157-054-1	1104211-803	Right	01	A Outer diameter =17 Length=50
5	Clip				
	1-09701-027-0	1104531-P301		04	A (A) Inner diameter=29 Height = 50 Length = 45.5
	8-97202-954-1			02	A Pipe clamp (B) Inner diameter=12&6.35&4.76
	8-97215-437-0	1104131-850	Right	02	A (C) Clip - fixation of oil pipes Inner diameter=12&6.35
	8-97326-157-1	1104111-801	Right	01	A (D) Clip - fixation of oil pipes Inner diameter=10×2 or 12×2 &6.35
24	Wire clip				
	1-09987-182-0	3724568-803		01	A (D) Length=170.3
	5-09707-031-1	3724551-803		03	A Clip, harness (A) Length=140

1-41		Fuel pipeline				
Figure No.		Recommended specification / name of part				
S/N	Isuzu figure No.	QingLing figure No.	Left/Right	Qty.	Applicable models / applicable status / notes	
					A	Single cab
24	----- Wire clip					
	8-94238-568-0	1104271-44		04	A	Spring pipe clamp (C) Inner diameter=16
	8-94238-610-0	1014102-44		02	A	Pipe clamp (B) Inner diameter=12
28	----- Flange bolts					
	0-28651-030-0	Q1841030		02	A	M10×30
29	----- Fuel inlet hose-fuel tank to fuel pipe					
	8-98067-563-2	1104013-P301		01	A	Only for wheelbase 3815mm, 4175mm models (B)
	8-98067-564-2	1104014-P301		01	A	Only for wheelbase 4175mm, 5200mm models (B)
	8-98037-758-0	1104012-P301		01	A	Fuel hoses - big pumps to tubing (A)
36	----- Fuel inlet hose-fuel pipe					
	8-98034-028-1	1104017-P301		01	A	
41	----- Pipe clamp					
	8-94238-610-0	1014102-44		02	A	Inner diameter=12
45	----- Oil inlet tube					
	8-98057-486-1	1104311-P301		01	A	

Fuel pipeline

1-41

Figure No.

N/S	Recommended specification / name of part				Applicable models / applicable status / notes
	Isuzu figure No.	QingLing figure No.	Left/Right	Qty.	
47	----- Fuel pipe				
	8-98036-483-0	1104024-P301	01	A	(C)
	8-98041-618-1	1104314-P301	01	A	Fuel pipe-front section of fuel tank
					(B)
	8-98057-487-1	1104312-P301	01	A	Oil return pipe
					(A)
48	----- Flange bolts				
	0-28651-030-0	Q1841030	01	A	(B)
					M10*30
	0-28650-825-0	Q1840825	02	A	(A)
					M8*25
61	----- Hole guard ring				
	8-94128-319-2	1104121-803	03	A	Inner diameter=17
62	----- Flange bolts				
	0-28650-825-0	Q1840825	01	A	M8*25
64	----- Hexagon flange bolt				
	0-91180-108-0	Q32008	01	A	Only for wheelbase 3815mm, 4175mm models
					M8

1-41

Fuel pipeline

Figure No.

S/N	Recommended specification / name of part				Applicable models / applicable status / notes	
	Isuzu figure No.	QingLing figure No.	Left/Right	Qty.	Single cab	
65	---- Fuel inlet hose					
	0-01259-300-0			01	A	Length=200
66	---- Fuel inlet hose					
	8-98067-566-1	1104016-P303		01	A	Only for wheelbase 3815mm, 4175mm models
	8-98067-567-1	1104016-P301		01	A	Only for wheelbase 4475mm, 5200mm models
	0-01855-300-0			01	A	(C)
	8-98065-058-0	1104018-P301		01	A	Oil return hose-engine to fuel pipe (A)
72	---- Bracket-hand pump					
	8-98041-815-1			01	A	
97	---- Bracket-oil pipe					
	8-98041-203-0	1104521-P301		02	A	
106	---- Hexagon flange nut					
	0-91180-110-0	Q32010		02	A	M10

Fuel pipeline

1-41

Figure No.

N/S	Recommended specification / name of part				
	Isuzu figure No.	QingLing figure No.	Left/Right	Qty.	Applicable models / applicable status / notes
					Single cab
124	---- Clip				
	8-94238-571-0	1104289-54		01	A (A) Inner diameter=13
	8-97358-961-0	1104025-P301		01	A (B) Inner diameter=12
147	---- Clip-rubber hose				
	8-94238-571-0	1104289-54		01	A (B) Inner diameter=13
	8-94238-610-0	1104102-44		01	A Pipe clamp (B) Inner diameter=12
	8-94238-568-0	1104271-44		02	A Spring tube clamp- rubber hose (A) Inner diameter=16
	8-94238-568-0	1104271-44		06	A (A) Inner diameter=16
156	---- Bracket-fuel hose				
	8-98041-250-1			01	A

1-41

Fuel pipeline

Figure No.

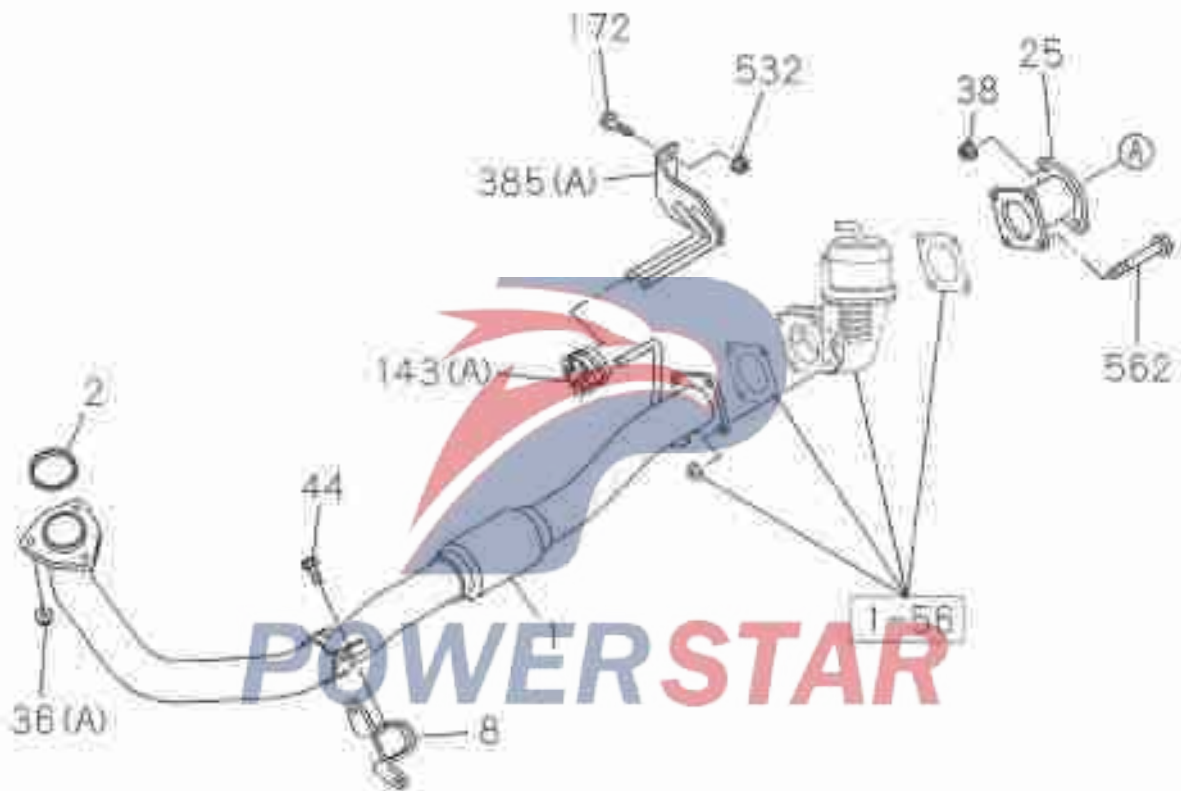
N/S	Recommended specification / name of part				
	Isuzu figure No.	QingLing figure No.	Left/Right	Qty.	Applicable models / applicable status / notes
					Single cab
174	----- Fuel pipe and bracket assembly				
	8-98033-844-1	1104313-P301		01	A Fuel pipe-to engine (A)
	8-98041-616-0	1104330-P301		01	A (B)
199	----- Pipe rubber sleeve - oil inlet pipe				
	8-97077-629-0	1104212-803		02	A Outer diameter =15 Length=50
270	----- Fuel pump assembly				
	8-98018-187-2			01	A
311	----- Fuel pipe				
	8-97353-668-0	1104023-P301		01	A

Exhaust pipes and silencer

1-50

Front exhaust pipe

Figure No.

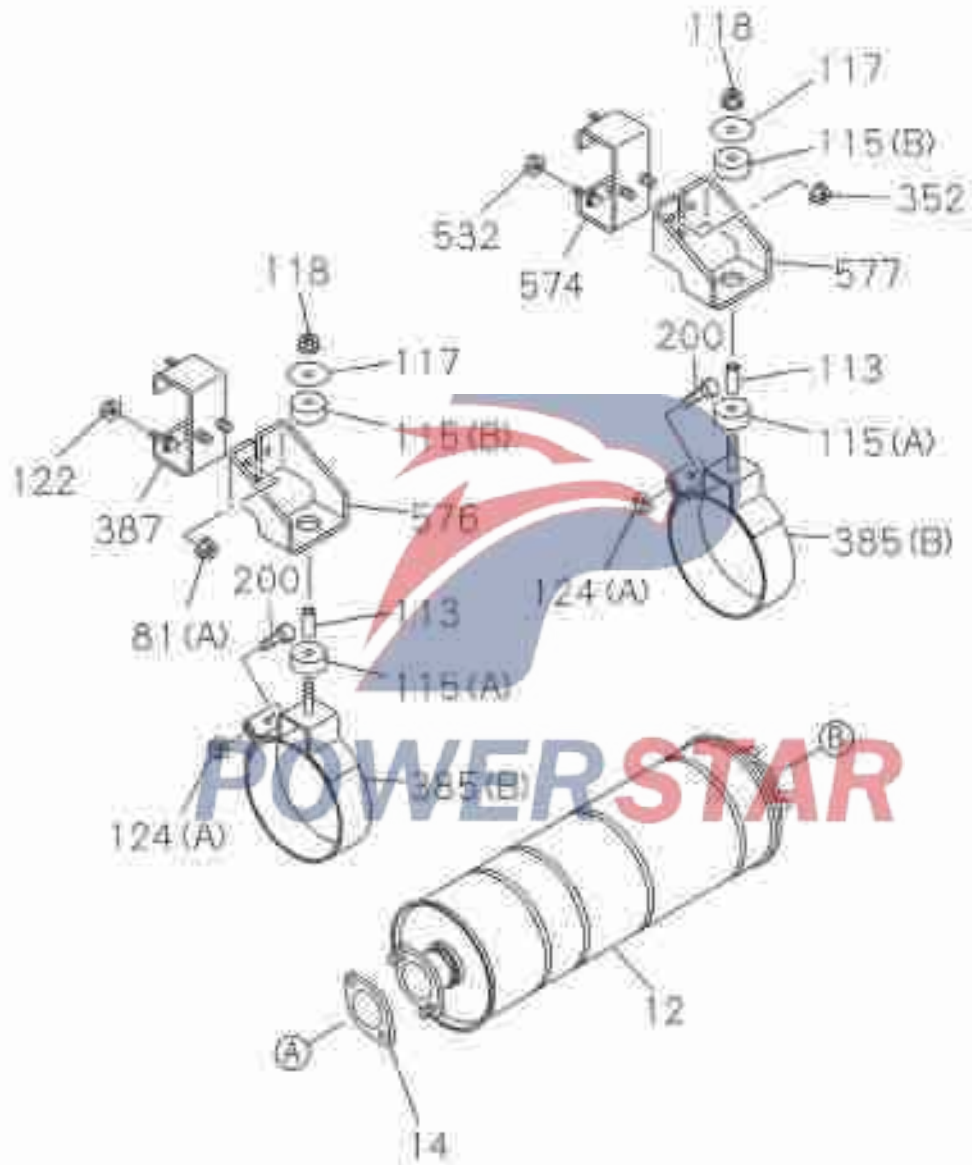


1-50

Exhaust pipes and silencer

Figure No.

Silencer assembly

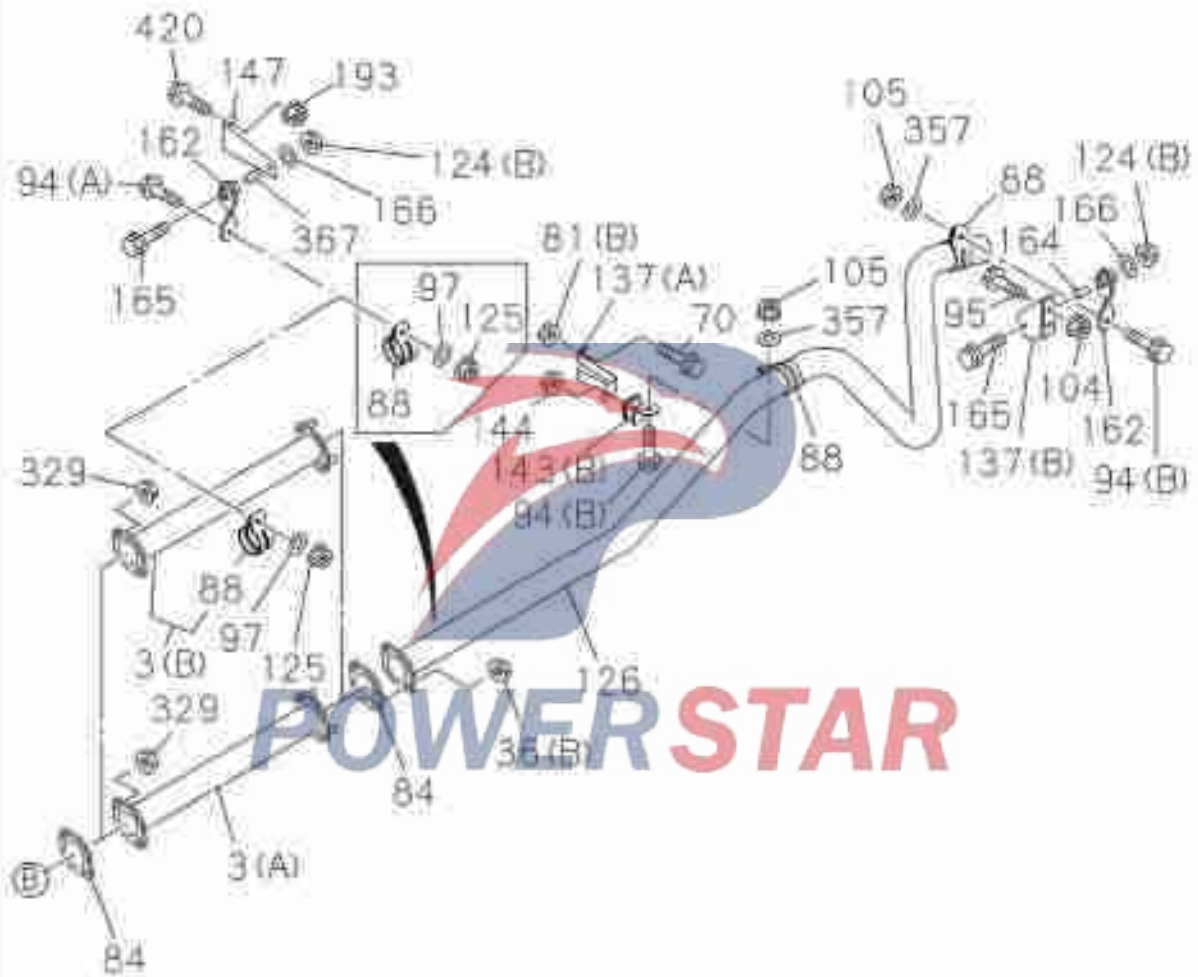


Exhaust pipes and silencer

1-50

Rear exhaust pipe

Figure No.



1-50

Exhaust pipes and silencer

Figure No.

N/S	Recommended specification / name of part				Applicable models / applicable status / notes	
	Isuzu figure No.	QingLing figure No.	Left/Right	Qty.		Single cab
1	Front stage assembly of exhaust pipe					
	8-98074-108-1	1203010-P301		01	A	
2	Seal ring assembly- intake pipe and engine					
	8-97381-455-0	1203610-P301		01	A	
3	Exhaust pipe					
	8-97089-322-0	1203061-P304		01	A Only for wheelbase 3815mm models (A)	
	8-98090-138-0	1203061-P303		01	A Only for wheelbase 4175mm models (B)	
	8-98090-140-0	1203061-P301		01	A Only for wheelbase 4475mm, 5200mm models (B)	
8	Hanger					
	8-97365-228-0	1203631-P301		01	A	
12	Silencer assembly					
	8-97222-489-1	1201010-P301		01	A	
14	Sealing pad - exhaust pipe and silencer					
	8-94328-352-0	1201331-10		01	A Inner diameter=64.7	
25	Joint					
	8-98074-109-0	1203621-P301		01	A	

Exhaust pipes and silencer

1-50

Figure No.

S/N	Recommended specification / name of part				Applicable models / applicable status / notes
	Isuzu figure No.	QingLing figure No.	Left/Right	Qty.	
36	Hexagon flange nut				
	0-91180-110-0	Q32010	02	A	(B) M10
	8-97096-192-1	1200451-26	03	A	Nut-exhaust manifold and intake pipe of silencer
38	Hexagon flange nut				
	0-91180-110-0	Q32010	02	A	(A) M10 Tape reel
44	Flange bolts				
	0-28051-040-0	Q1841040	01	A	M10×40
70	Flange bolts				
	0-28650-825-0	Q1840825	02	A	M8×25
81	Hexagon flange nut				
	0-91180-108-0	Q32008	02	A	(B) M8
	0-91180-110-0	Q32010	02	A	(A) M10

1-50

Exhaust pipes and silencer

Figure No.

N/S	Recommended specification / name of part				
	Isuzu figure No.	QingLing figure No.	Left/Right	Qty.	Applicable models / applicable status / notes
					Single cab
84	----- Sealing pad - exhaust pipe and silencer				
	8-94328-352-0	1201331-10		02	A Inner diameter=64.7
88	----- Pipe clamp				
	8-97373-158-0	1203781-P301		01	A
	8-97373-158-0	1203781-P301		03	A
94	----- Flange bolts				
	0-28051-045-0	Q1841045		01	A (B) M10×45
	8-97301-165-0	1203741-P301		03	A (A) M10×50
95	----- Flange bolts				
	0-28650-825-0	Q1840825		02	A Only for wheelbase 3815mm models M8×25
	0-28651-030-0	Q1841030		02	A M10×30
97	----- Flat washer				
	0-91614-610-0	Q40110		01	A Inner diameter=10.5 Outer diameter=22

Exhaust pipes and silencer

1-50

Figure No.

N/S	Recommended specification / name of part				Applicable models / applicable status / notes
	Isuzu figure No.	QingLing figure No.	Left/Right	Qty.	
104	----- Hexagon flange nut				
	0-91180-108-0	Q32008	02	A	M8
	0-91180-110-0	Q32010	02	A	M10
105	----- Nut-wedge bolt				
	0-91110-510-0	Q341C10	02	A	M10
113	----- Casing				
	9-22151-217-0	1201253-10	02	A	Length=37.5
115	----- Flexible universal joint assembly				
	8-97379-882-0	1203070-P301	02	A	(A)
	8-97379-927-0	1203080-P301	02	A	(B)
117	----- Flat washer				
	9-09852-169-0	1201261-10	02	A	Outer diameter = 55
118	----- Flange lock nuts				
	5-09440-006-0	Q33010	02	A	M10

1-50

Exhaust pipes and silencer

Figure No.

N/S	Recommended specification / name of part				
	Isuzu figure No.	QingLing figure No.	Left/Right	Qty.	Applicable models / applicable status / notes
					Single cab
122	Hexagon flange nut				
	0-91180-110-0	Q32010		01	A M10
124	Nut				
	0-91110-508-0	Q340B08		02	A (A) M8
125	Nut-wedge bolt				
	0-91180-110-0	Q32010		02	A (B) M10
126	Tail pipe				
	8-98090-128-1	1203091-P304		01	A Only for wheelbase 3815mm models
137	Bracket				
	8-98011-818-0	1203091-P301		01	A Except wheelbase 3815mm
137	Bracket				
	8-97116-588-2	1203771-P304		01	A Only for wheelbase 3815mm models (B)
	8-97185-801-0	1203771-P301		01	A Except wheelbase 3815mm (B)
	8-97096-651-0	1203721-P301		01	A (A)

Exhaust pipes and silencer

1-50

Figure No.

S/N	Recommended specification / name of part				Applicable models / applicable status / notes
	Isuzu figure No.	QingLing figure No.	Left/Right	Qty.	
143	----- Rubber hanger				
	8-97080-694-0	1203641-P301	01	A	(A)
	8-98034-767-0	1203731-P301	01	A	Rubber parts (B)
144	----- Hexagon flange nut				
	0-91180-108-0	Q32008	01	A	M8
147	----- Bracket-exhaust pipe				
	8-98090-125-1		01	A	
162	----- Rubber parts				
	8-98034-765-0	1203751-P301	02	A	Length=115
164	----- Casing				
	9-22151-217-0	1201253-10	01	A	Length=37.5
165	----- Flange bolts				
	0-28051-070-0	Q1841070	02	A	M10×70

1-50

Exhaust pipes and silencer

Figure No.

N/S	Recommended specification / name of part				
	Isuzu figure No.	QingLing figure No.	Left/Right	Qty.	Applicable models / applicable status / notes
					Single cab
166	-----	Big washer			
	0-91614-810-0	Q40210		02	A Inner diameter=10.5 Outer diameter=32
172	-----	Flange bolts			
	0-28651-035-0	Q1841035		02	A M10×35
193	-----	Hexagon flange nut			
	0-91180-110-0	Q32010		02	A M10
200	-----	Flange bolts			
	0-50540-845-0	Q1420845		02	A M18×45
329	-----	Hexagon flange nut			
	0-91180-110-0	Q32010		02	A M10
352	-----	Hexagon flange nut			
	0-91180-110-0	Q32010		02	A M10
357	-----	Flat washer			
	0-91614-610-0	Q40110		02	A Inner diameter=10.5 Outer diameter=22

Exhaust pipes and silencer

1-50

Figure No.

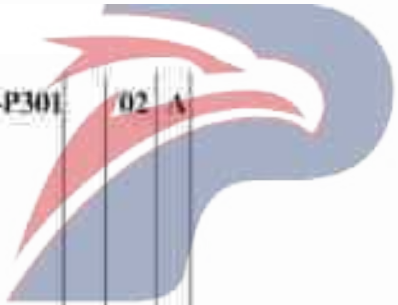
N/S	Recommended specification / name of part				
	Isuzu figure No.	QingLing figure No.	Left/Right	Qty.	Applicable models / applicable status / notes
					Single cab
367	----- Casing				
	9-22151-217-0	1201253-10		01	A Length=37.5
385	----- Bracket with hoop assembly				
	8-97207-224-0	1201220-P301		02	A (B)
	8-98074-495-1	1203651-P301		01	A Bracket (A)
387	----- Spacer				
	8-98044-774-0	1203711-P301		01	A
420	----- Flange bolts				
	0-28651-030-0	Q1841030		02	A M10×30
532	----- Hexagon flange nut				
	0-91180-110-0	Q32010		04	A M10
562	----- Bolt				
	0-10855-870-0	Q150B0870		04	A M8×70

1-50

Exhaust pipes and silencer

Figure No.

S/N	Recommended specification / name of part				Applicable models / applicable status / notes	
	Isuzu figure No.	QingLing figure No.	Left/Right	Qty.	Single cab	
574	----- Spacer					
	8-98044-774-0	1203711-P301		01	A	
576	----- Bracket					
	8-98074-124-0	1203691-P301		01	A	
577	----- Bracket					
	8-98074-124-0	1203691-P301		02	A	

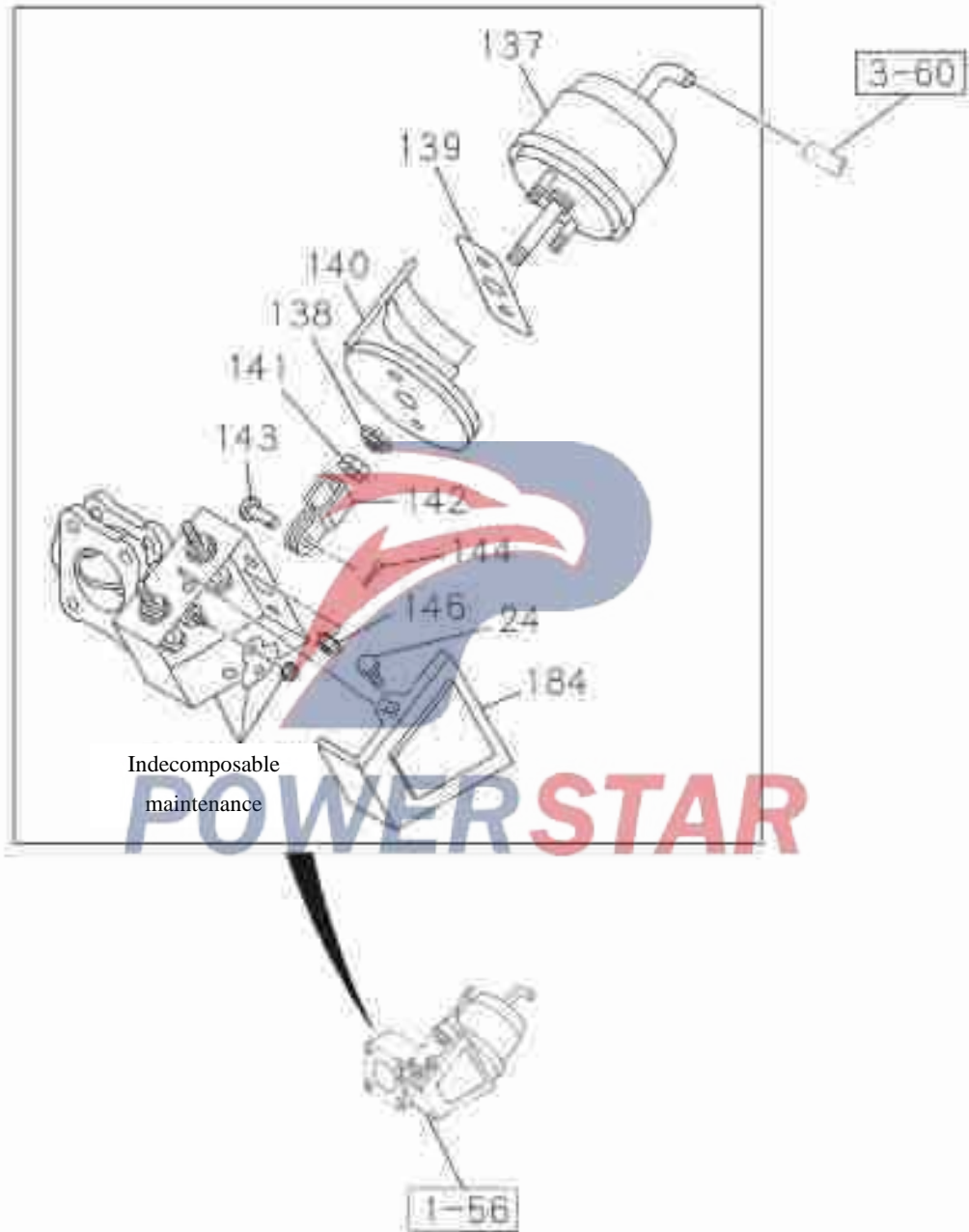


POWERSTAR

Exhaust brake valve body and control chamber

1-55

Figure No.



1-55

Exhaust brake valve body and control chamber

Figure No.

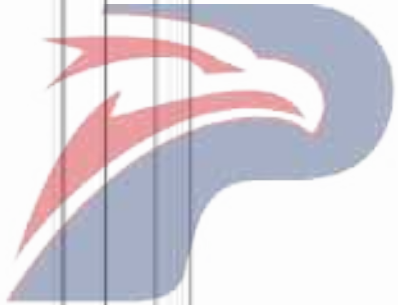
N/S	Recommended specification / name of part			
	Isuzu figure No.	QingLing figure No.	Left/Right	Qty.
				Applicable models / applicable status / notes
				Single cab
24	----- Exhaust brake valve body			
	8-97065-029-0			02 A
137	----- Control chamber			
	8-98070-470-0			01 A
138	----- Supporting seat-exhaust brake valve			
	5-22189-004-0			01 A
139	----- Gasket -exhaust brake valve			
	8-94328-234-0			01 A
140	----- Heat shield-exhaust brake valve			
	8-97173-333-0			01 A
141	----- Nut- U clamp			
	8-94311-428-0			01 A
142	----- U clamp-exhaust brake valve			
	8-97177-311-0			01 A
143	----- Pin- exhaust brake valve			
	8-94311-452-0			01 A
144	----- Split pin- exhaust brake valve			
	8-97029-428-0			01 A

Exhaust brake valve body and control chamber

1-55

Figure No.

N/S	Recommended specification / name of part				Applicable models / applicable status / notes
	Isuzu figure No.	QingLing figure No.	Left/Right	Qty.	
					Single cab
146	Hexagon flange nut - exhaust brake valve				
	0-91180-108-0	Q32010		02 A	M8
184	Cover- exhaust brake valve				
	8-98070-514-0			01 A	



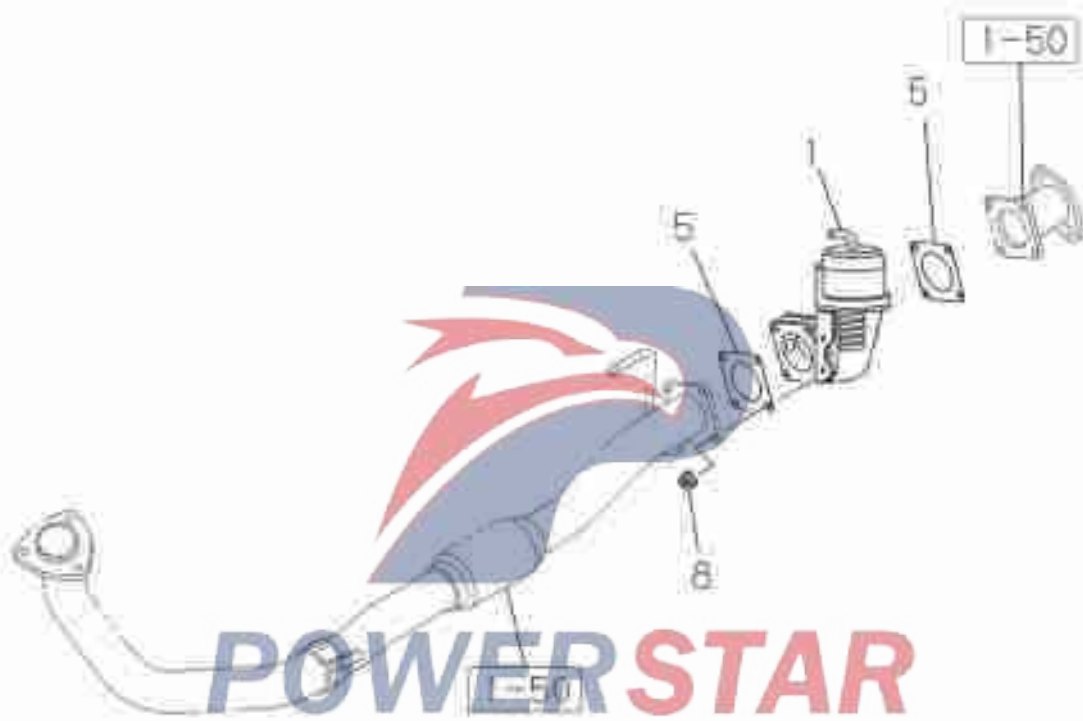
POWERSTAR

1-56

Exhaust brake system

Figure No.

NO.1

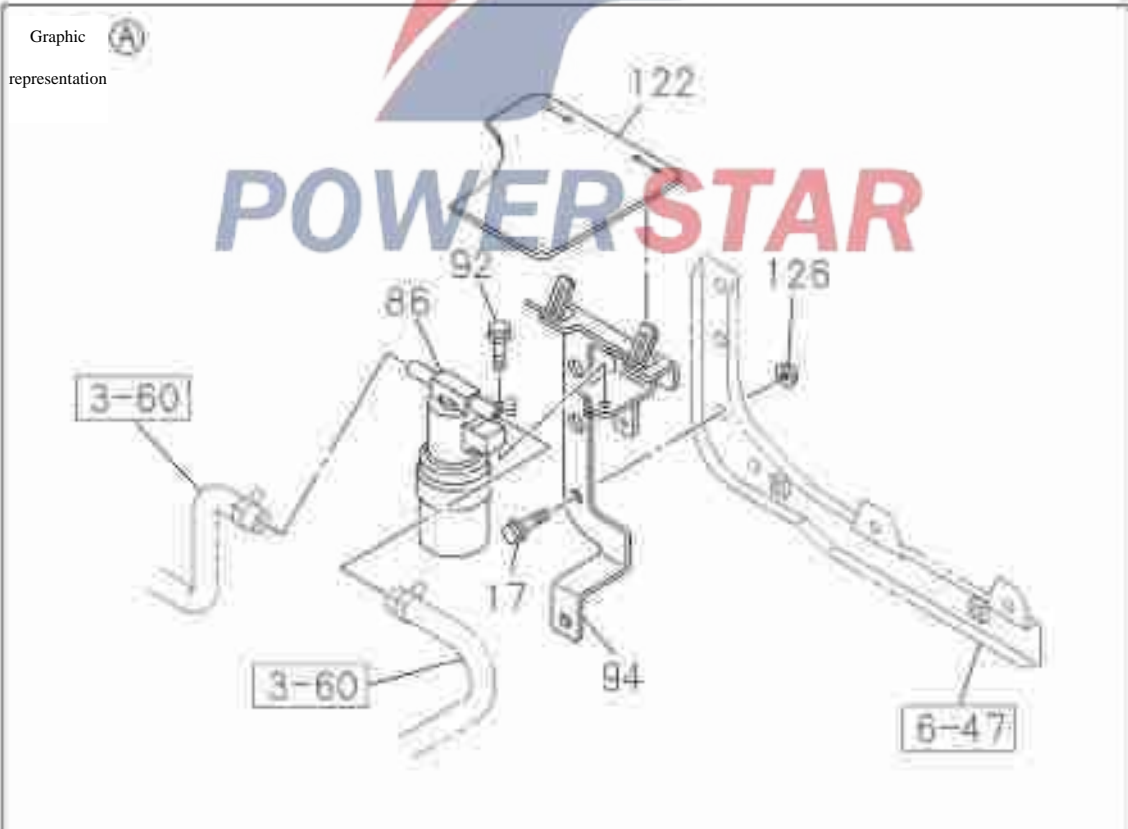
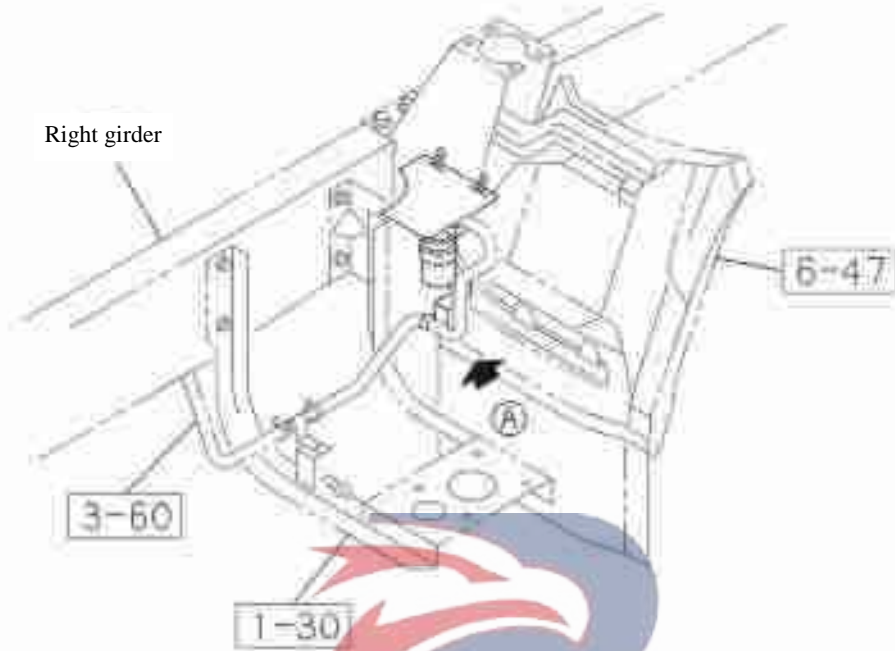


Exhaust brake system

1-56

NO.2

Figure No.



1-56

Exhaust brake system

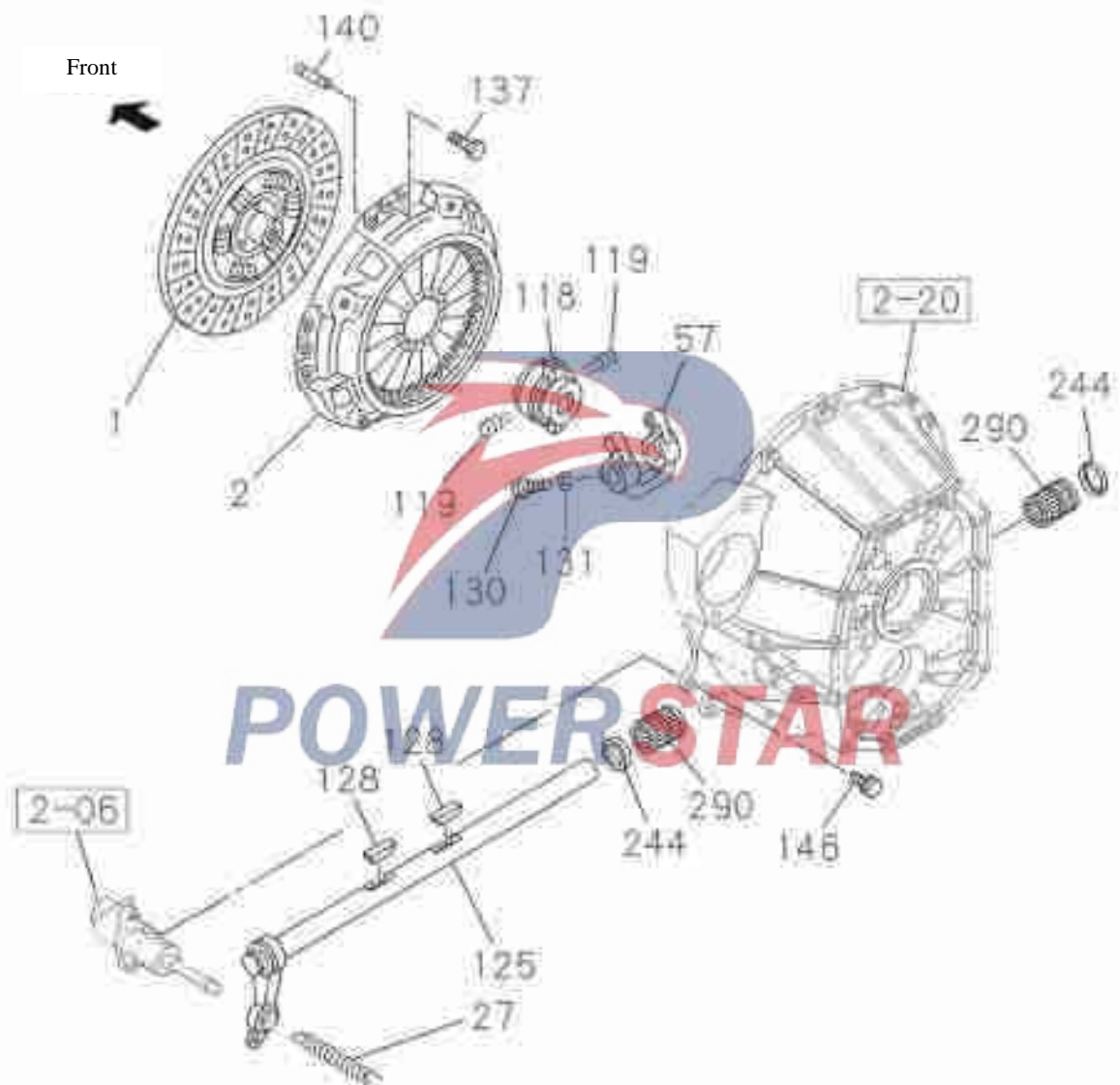
Figure No.

N/S	Recommended specification / name of part				
	Isuzu figure No.	QingLing figure No.	Left/Right	Qty.	Applicable models / applicable status / notes
					Single cab
1	----- Exhaust valve assembly				
	8-98056-673-0			02	A
5	----- Gasket				
	8-97373-108-0			02	A
8	----- Nut				
	8-97581-234-0	1109118-P301		04	A
					M8 Tape reel
17	----- Flange bolts				
	0-28650-825-0	Q1840825		01	A
					M8×25
86	----- Actuator assembly				
	8-98043-344-0			01	A
92	----- Flange bolts				
	0-28650-825-0	Q1840825		01	A
					M8×25
94	----- Clamping rack				
	8-98034-053-3	1108021-P301		01	A
122	----- Guard				
	8-98087-988-0			01	A
126	----- Hexagon flange nut				
	0-91180-108-0	Q32008		01	A
					M8

2-01

Clutch

Figure No.



Clutch

2-01

Figure No.

S/N	Recommended specification / name of part				Applicable models / applicable status / notes
	Isuzu figure No.	QingLing figure No.	Left/Right	Qty.	
1	----- Clutch friction plate assembly				
	8-97367-795-0	1601010-P301		01	A
2	----- Pressure plate assembly, clutch				
	8-97351-794-0	1601040-P301		01	A
27	----- Spring				
	8-98025-314-0			01	A
57	----- Release fork				
	8-97310-456-1	1602120-P301		01	A
118	----- Clutch release bearing				
	1-31310-012-0			01	A
119	----- Spring- release fork				
	1-31329-024-0			02	A
125	----- Declutch shaft				
	8-97310-435-0	1602110-P301		01	A
128	----- Key				
	9-09867-008-0	1602131-P301		02	A

2-01

Clutch

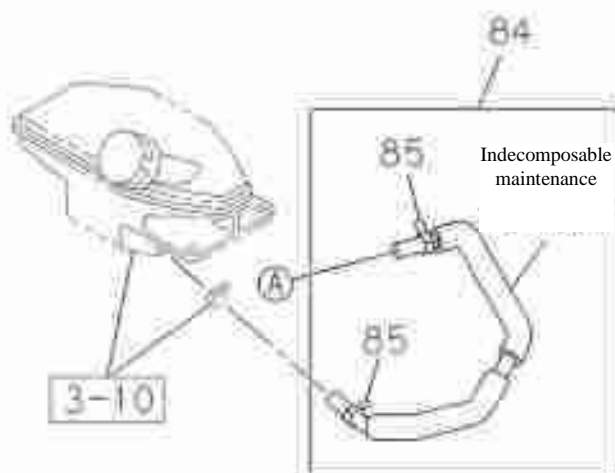
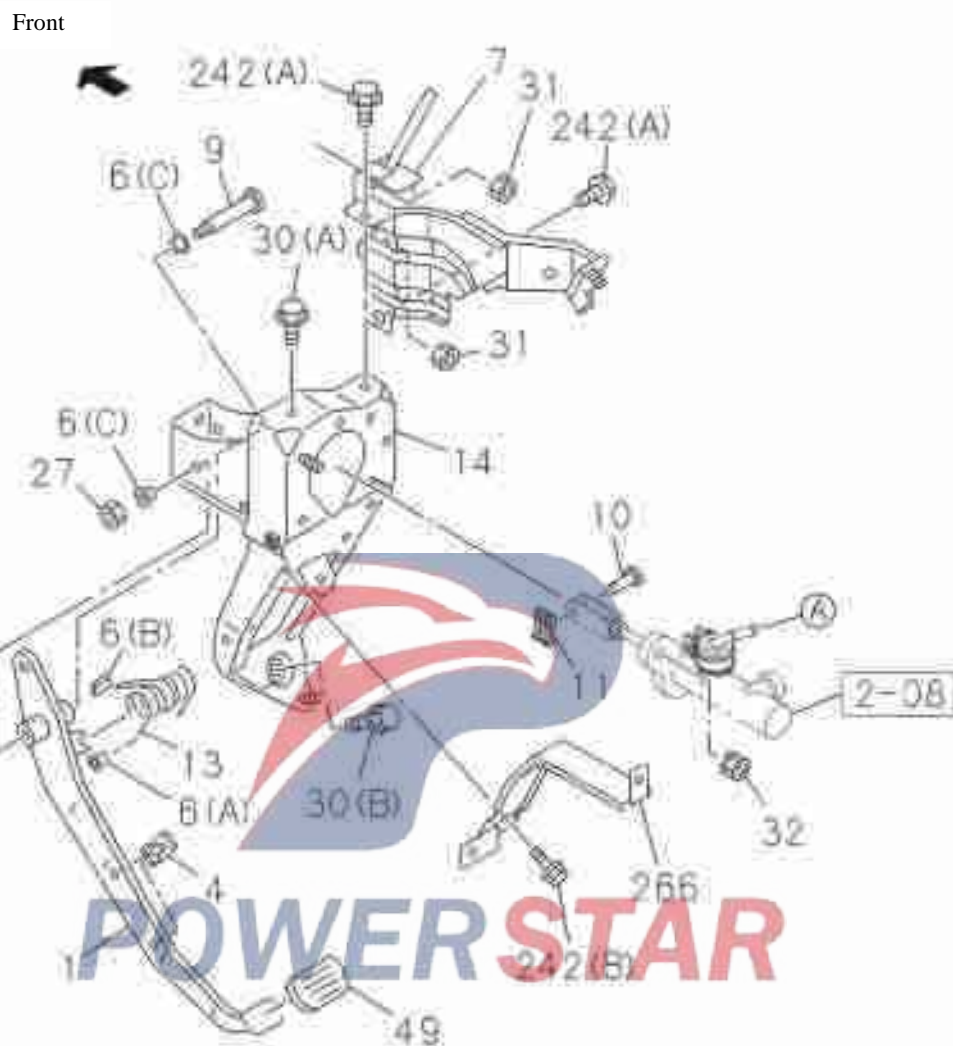
Figure No.

N/S	Recommended specification / name of part				
	Isuzu figure No.	QingLing figure No.	Left/Right	Qty.	Applicable models / applicable status / notes
					MLD manual transmission
130	Screw				
	0-61290-814-0	1602132-P301		01	A M8×14
131	Spring washer				
	0-91510-508-0	Q40308		01	A Inner diameter=8.2
137	Hexagon flange bolt				
	0-28051-016-0	Q1841016		10	A M10×16
140	Pin				
	8-94410-361-0	1601901-P301		01	A Length=25
146	Flange bolts				
	0-28650-830-0	Q1840830		02	A M8×30
244	Oil seal-clutch				
	1-09625-002-0			02	A Including in the major repair kit of transmission
290	Needle roller bearing				
	1-09811-002-1			02	A

Clutch pedal and control mechanism

2-03

Figure No.



2-03

Clutch pedal and control mechanism

Figure No.

N/S	Recommended specification / name of part				Applicable models / applicable status / notes	
	Isuzu figure No.	QingLing figure No.	Left/Right	Qty.	MLD manual transmission	
1	----- Pedal assembly					
	8-98034-754-0	1602020-P301		01	A	
4	----- Cover plate					
	8-97853-534-1	1602231-P301		02	A	
6	----- Plug cover					
	8-96238-596-0	1602061-P301		02	A	
	8-97853-619-0	1602211-P301		02	A	(C) Shaft sleeve
	8-97853-620-0	1602221-P301		01	A	(A) Bush B
7	----- Cover plate assembly-support plate					
	8-98062-632-0	1602050-P301		01	A	
9	----- Bolt					
	8-97866-667-0	1602041-P301		01	A	
10	----- Pin roll- vacuum booster to brake pedal					
	8-97387-230-0			01	A	
11	----- Split pin					
	8-98007-161-0			01	A	

Clutch pedal and control mechanism

2-03

Figure No.

N/S	Recommended specification / name of part				
	Isuzu figure No.	QingLing figure No.	Left/Right	Qty.	Applicable models / applicable status / notes
					MLD manual transmission
13	Spring				
	8-98034-014-0	1602081-P301		01	A
14	Bracket assembly				
	8-98054-878-0	1602030-P301		01	A
27	Hexagon flange nut				
	0-91380-010-0	Q32010T13		01	A
					M10
30	Flange bolts				
	0-28661-025-0	Q1841025T		01	A
					(A)
					M10×25
	8-98033-926-0			01	A
					Bolt
					(B)
					M10×22
31	Nut				
	8-94279-050-0	3504121-803		02	A
					M8
32	Nut				
	8-94279-050-0	3504121-803		02	A
					M8

2-03

Clutch pedal and control mechanism

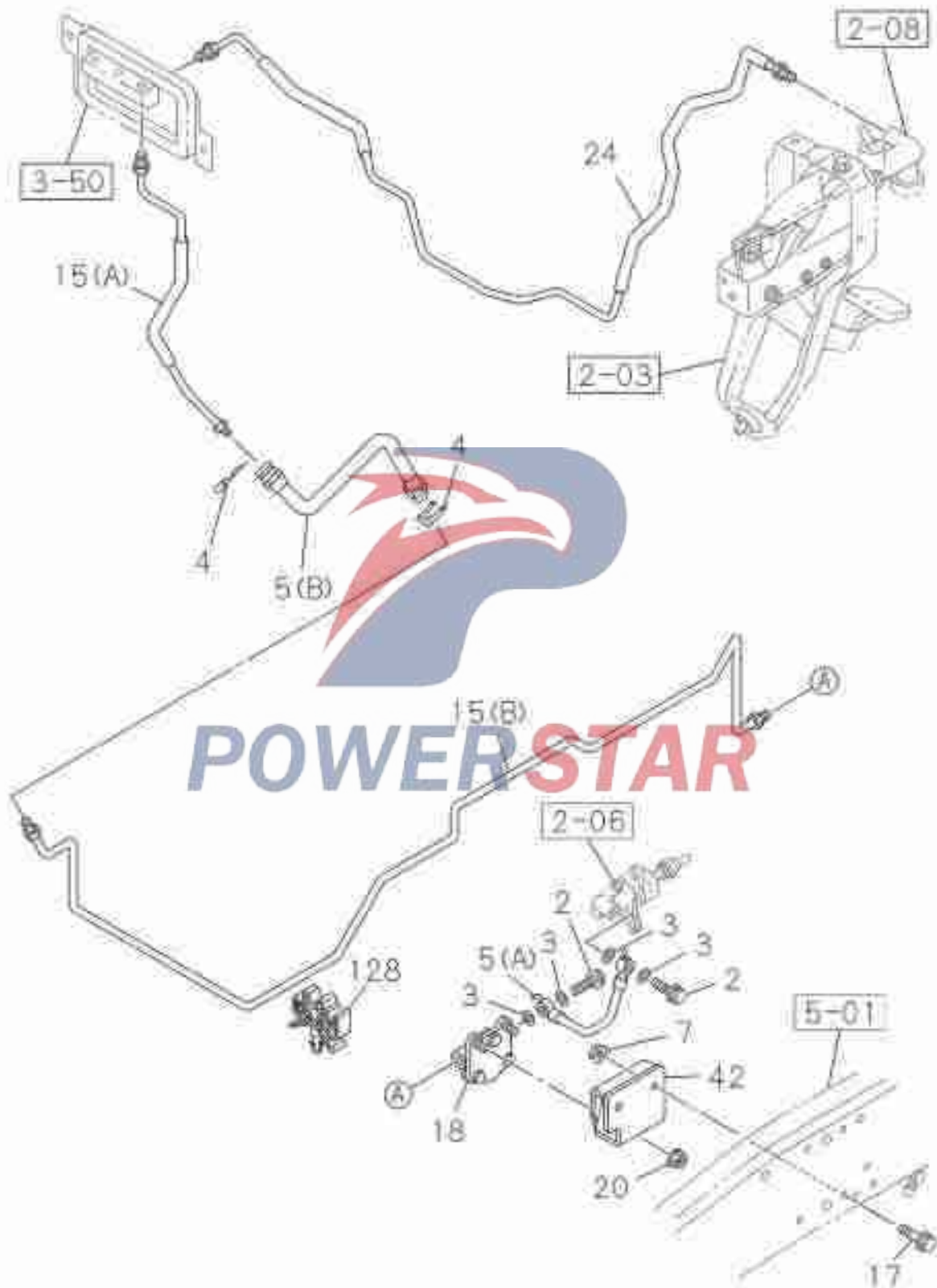
Figure No.

N/S	Recommended specification / name of part				Applicable models / applicable status / notes	
	Isuzu figure No.	QingLing figure No.	Left/Right	Qty.	MLD manual transmission	
49	----- Rubber gasket-pedal					
	8-97853-413-2	1602071-P301		01	A	
84	----- Tube assembly					
	8-98025-423-1			01	A	
85	----- Pipe clamp					
	8-98031-178-0			02	A	
242	----- Flange bolts					
	0-28050-612-0	Q1840612		01	A	
						(B)
	0-28450-816-0	3408101-44		02	A	M6*12
						(A)
						M8*16
266	----- Bracket					
	8-98078-745-1	1602241-P301		01	A	

Clutch oil pipe

2-05

Figure No.



2-05

Clutch oil pipe

Figure No.

S/N	Recommended specification / name of part				Applicable models / applicable status / notes	
	Isuzu figure No.	QingLing figure No.	Left/Right	Qty.	MLD manual transmission	
2	Bolt					
	8-97381-454-0			02	A	M10×22
3	Sealing gasket-hose to cylinder					
	9-09571-410-0	3506205-44		04	A	Inner diameter=10.2 Outer diameter=16.0
4	Flexible clip					
	8-97365-304-0			02	A	
5	Clutch hose assembly					
	8-98077-611-0			01	A	(A)
	8-98083-907-0			01	A	(B)
7	Hexagon flange nut					
	0-91180-108-0	Q32008		02	A	MB
15	Clutch oil pipe assembly					
	8-98041-742-3	1607020-P301		01	A	(A)
	8-98047-202-2	1607010-P301		01	A	Clutch hard tube assembly (B)

Clutch oil pipe

2-05

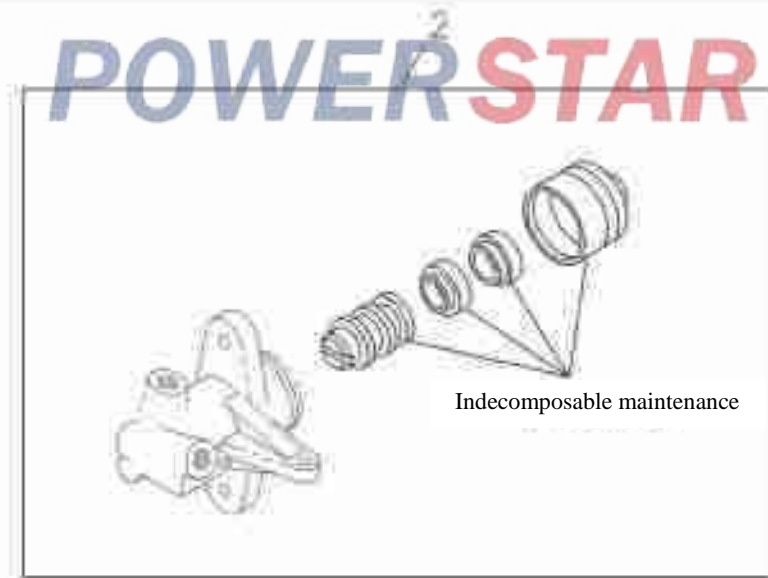
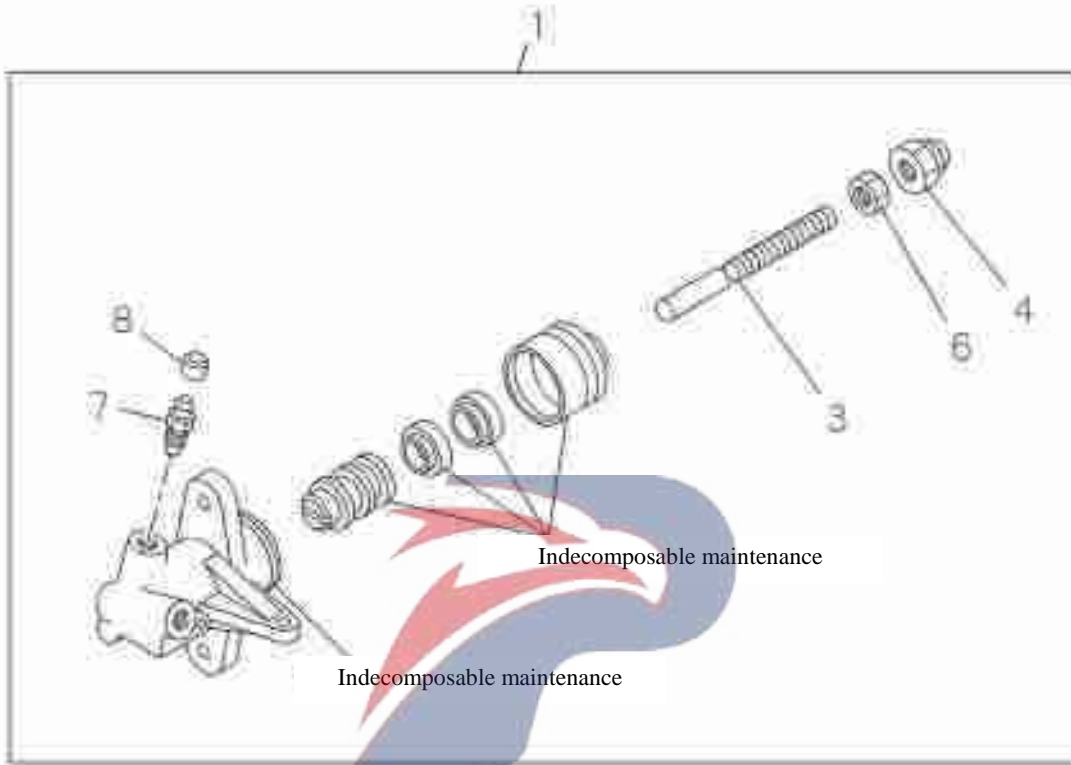
Figure No.

N/S	Recommended specification / name of part				
	Isuzu figure No.	QingLing figure No.	Left/Right	Qty.	Applicable models / applicable status / notes
					MLD manual transmission
17	Flange bolts				
	0-28650-825-0	Q1840825		02	A M8*25
18	Clutch valve assembly				
	8-98077-610-0			01	A
20	Hexagon flange nut				
	0-91180-108-0	Q32008		02	A M8
24	Clutch oil pipe assembly- to interior				
	8-98070-236-2	1607110-P301		01	A
42	Bracket				
	8-98082-472-1			01	A
128	Pipe clamp				
	8-97202-954-1			01	A Inner diameter=12&6.35&4.76

2-06

Clutch slave cylinder

Figure No.



Clutch slave cylinder

2-06

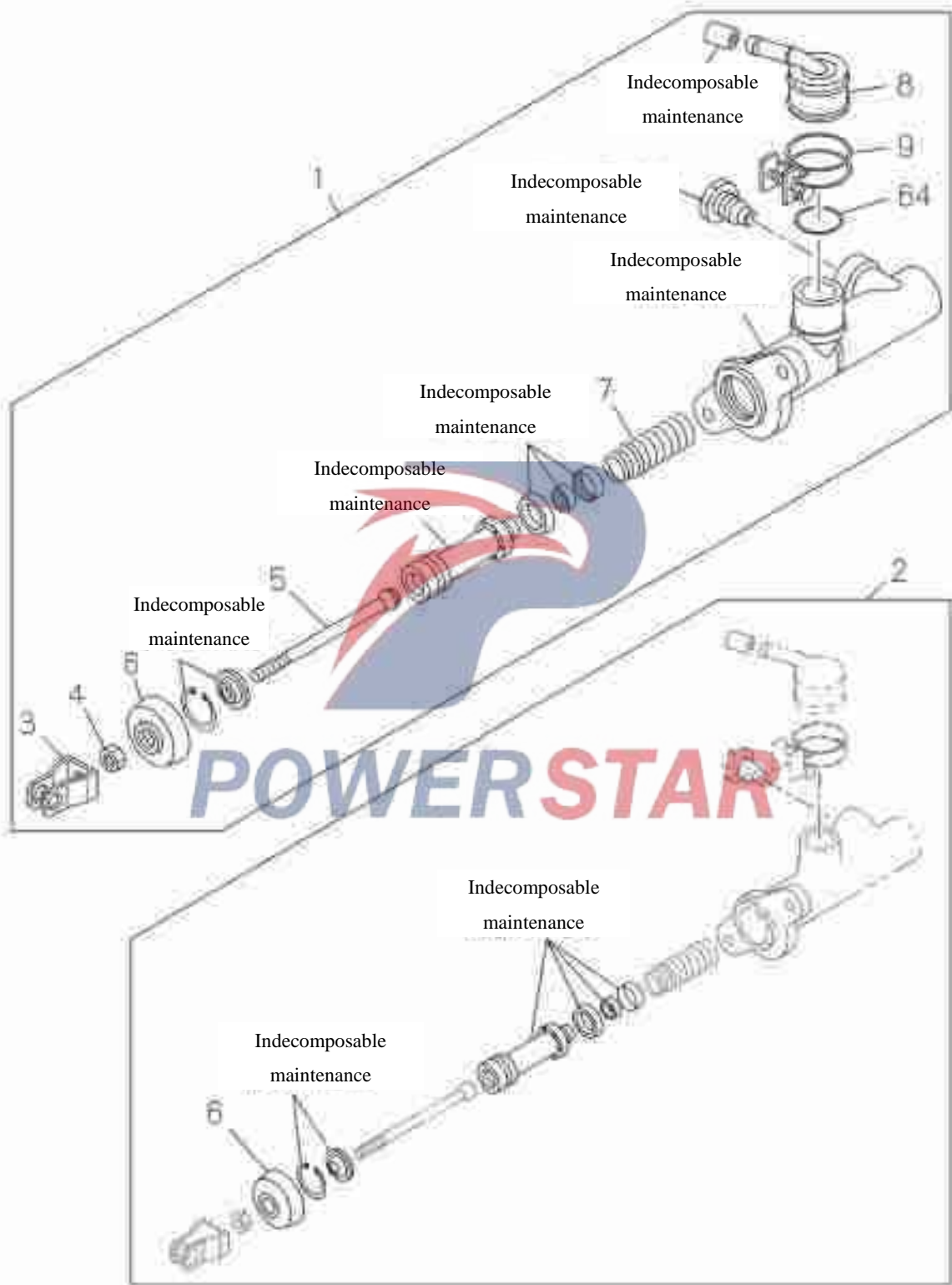
Figure No.

N/S	Recommended specification / name of part			
	Isuzu figure No.	QingLing figure No.	Left/Right	Qty.
				Applicable models / applicable status / notes
				MLD manual transmission
1	Clutch wheel pump assembly			
	8-98089-676-0		01	A
2	Repair kit- clutch slave cylinder			
	5-87831-204-0		01	A
3	Push rod -clutch slave cylinder			
	8-97065-442-0		01	A
4	Adjusting nut- clutch water cylinder			
	8-97065-441-0		01	A
6	Lock nut			
	0-91111-510-0		01	A
				M10
7	Exhaust screw plug- clutch slave cylinder			
	8-98020-477-0		01	A
				M8x10
8	Dust cap			
	9-47619-005-0		01	A
				Outer diameter = 9.5

2-08

Clutch master cylinder

Figure No.



Clutch master cylinder

2-08

Figure No.

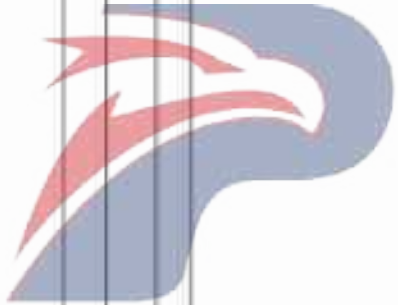
S/N	Recommended specification / name of part			
	Isuzu figure No.	QingLing figure No.	Left/Right	Qty.
				A
Applicable models / applicable status / notes				
MLD manual transmission				
1	Clutch master cylinder assembly			
	8-98025-312-1			01 A
2	Repair kit- clutch master cylinder			
	5-87831-597-0			01 A
3	Coupling yoke- clutch master cylinder			
	8-97167-770-0			01 A
4	Nut - coupling yoke			
	0-91111-508-0			01 A
5	Push rod-clutch master cylinder			
	8-97167-768-0			01 A
6	Dust cover			
	8-94412-200-0			01 A
7	Spring-clutch master cylinder			
	8-97167-780-0			01 A
8	Pipe coupling- oil pipe of clutch master cylinder			
	8-97167-766-0			01 A

2-08

Clutch master cylinder

Figure No.

N/S	Recommended specification / name of part				
	Isuzu figure No.	QingLing figure No.	Left/Right	Qty.	Applicable models / applicable status / notes
					MLD manual transmission
9	Double wire hoop-pipe joint				
	8-97167-773-0			01	A
64	Sealing gasket-pipe joint				
	8-97167-767-0			01	A



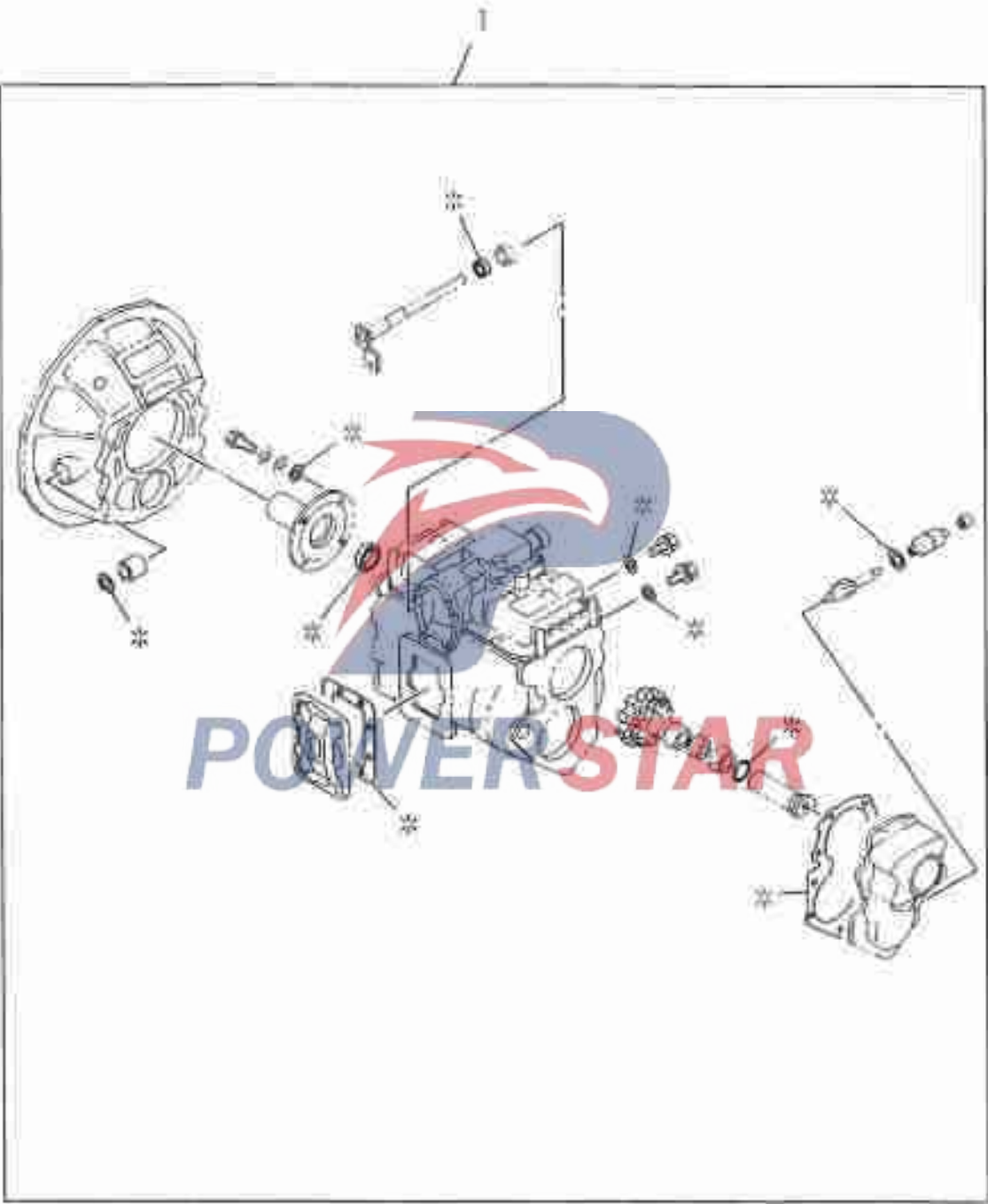
POWERSTAR

Major repair kit of transmission

MLD manual transmission

2-10

Figure No.



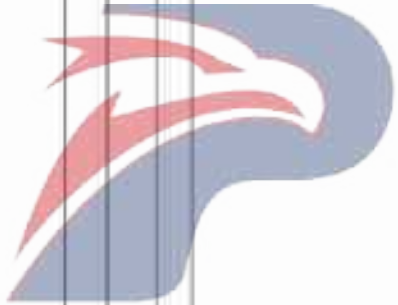
2-10

Major repair kit of transmission

Figure No.

MLD manual transmission

S/N	Recommended specification / name of part			
	Isuzu figure No.	QingLing figure No.	Left/Right	Qty.
				Applicable models / applicable status / notes
				MLD manual transmission
1	Sealing assembly-major repair kit of transmission			
	1-87830-943-0			01 A



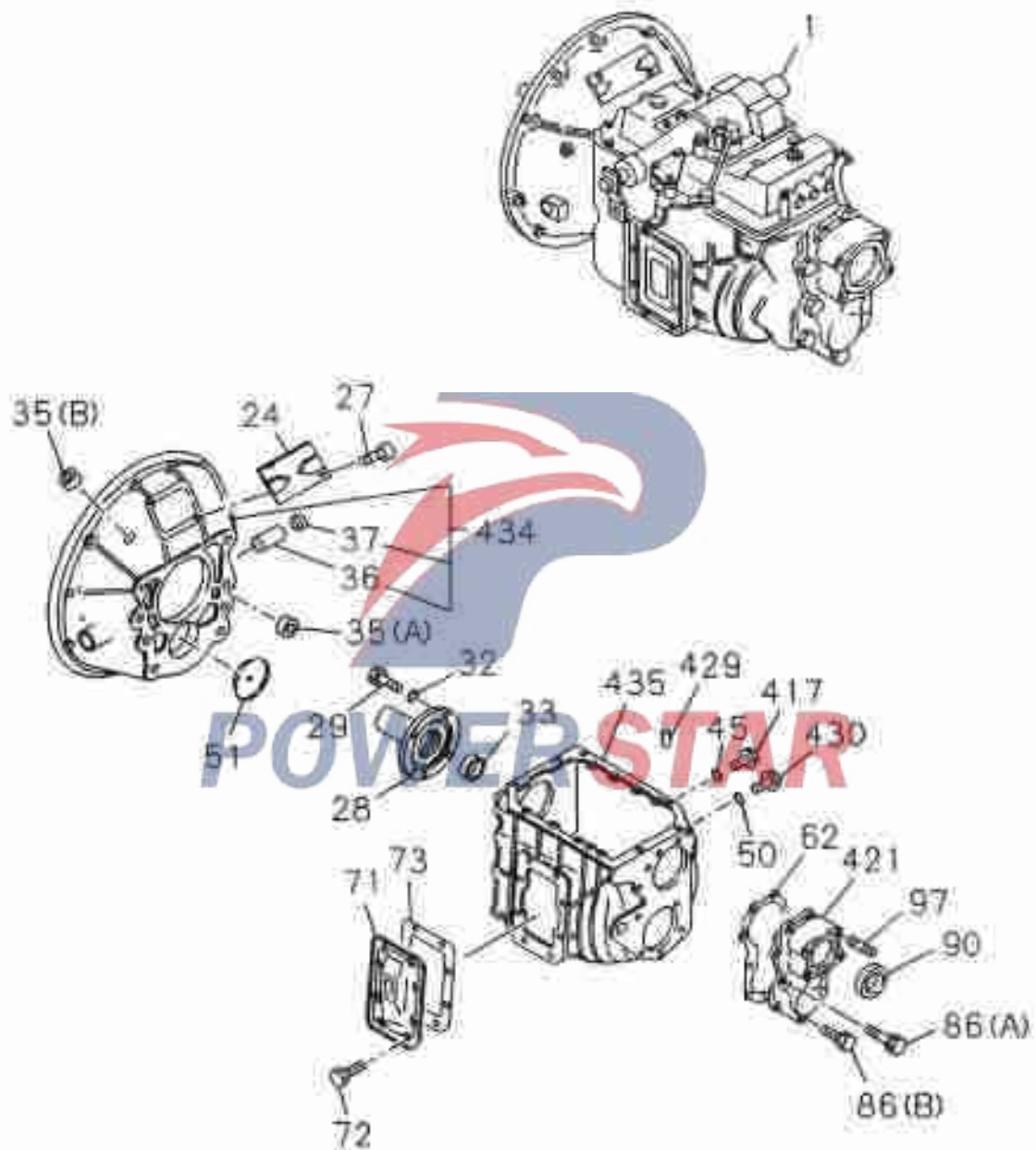
POWERSTAR

Manual transmission assembly and housing

MLD manual transmission

2-20

Figure No.



2-20

Manual transmission assembly and housing

Figure No.

MLD manual transmission

N/S	Recommended specification / name of part				A	
	Isuzu figure No.	QingLing figure No.	Left/Right	Qty.		Applicable models / applicable status / notes
						MLD manual transmission
1	MLD transmission assembly					
	1701010-P301			01	A	
24	Upper inspection hole cover					
	1-31131-041-0			01	A	
27	Hexagon flange bolt					
	0-28080-816-0	Q1840816		02	A	
					M8×16	
28	Front cap-transmission					
	1-33121-108-1	1601212-P301		01	A	
29	Bolt - front cover					
	1-09040-089-1	1702022-117		04	A	
					M10×28 Tape reel	
32	O-ring					
	1-09623-369-0			04	A	
					Including in the major repair kit of manual transmission	
33	Oil seal- front cap of transmission					
	1-09625-497-0			01	A	
					Including in the major repair kit of manual transmission	

Manual transmission assembly and housing

2-20

MLD manual transmission

Figure No.

S/N	Recommended specification / name of part				Applicable models / applicable status / notes
	Isuzu figure No.	QingLing figure No.	Left/Right	Qty.	
35	Plug cover-clutch housing				
	8-97037-246-0			01	A (A)
	9-09575-796-0			01	A (B)
36	Needle roller bearing-clutch housing				
	1-09811-002-1			02	A
37	Oil seal-clutch				
	1-09625-002-0			02	A Including in the major repair kit of manual transmission
45	O-ring				
	1-09623-058-0			01	A Including in the major repair kit of manual transmission Inner diameter=26.8
50	O-ring				
	1-09623-058-0			01	A Including in the major repair kit of manual transmission Inner diameter=26.8
51	Sealing cover				
	1-33319-107-0	1701012-117		01	A

2-20

Manual transmission assembly and housing

Figure No.

MLD manual transmission

N/S	Recommended specification / name of part				A	
	Isuzu figure No.	QingLing figure No.	Left/Right	Qty.		Applicable models / applicable status / notes
						MLD manual transmission
62	----- Gasket					
					Including in the major repair kit of manual transmission	
	1-33132-045-2	1701013-117		01	A	
71	----- Cover					
	1-33141-033-0	1701612-117		01	A	
72	----- Nut-side cover					
	0-28181-016-0	Q1841016		08	A	
					M10*16 Tape reel	
73	----- Gasket					
					Including in the major repair kit of manual transmission	
	1-33142-036-0	1701014-117		01	A	
86	----- Bolt-rear housing					
	1-09044-076-0	1701023-117		08	A	
					(B)	
					M12*35	
	1-09044-084-0	1701024-117		01	A	
					(A)	
					M12*60	
90	----- Oil seal-rear cover					
					Including in the major repair kit of manual transmission	
	1-09625-513-0			01	A	

Manual transmission assembly and housing

2-20

MLD manual transmission

Figure No.

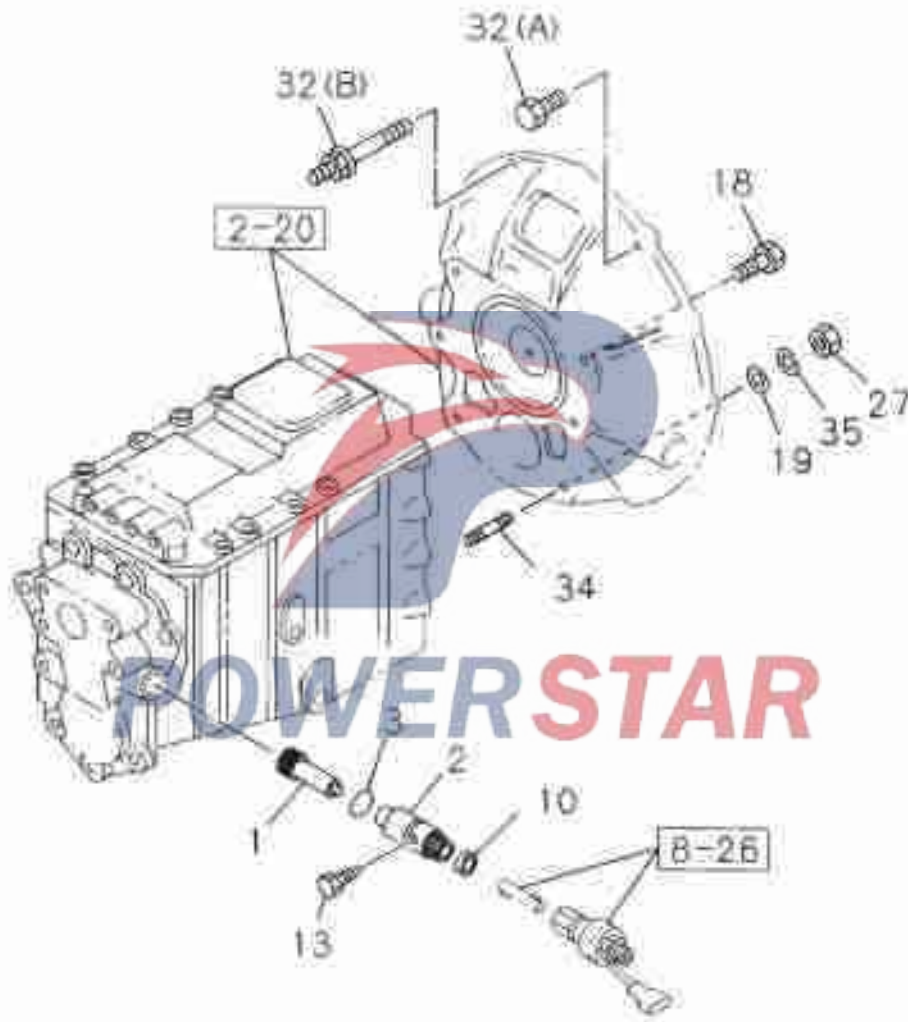
N/S	Recommended specification / name of part				Applicable models / applicable status / notes
	Isuzu figure No.	QingLing figure No.	Left/Right	Qty.	
97	Stud				
	1-09302-147-1	1701025-117		01	A
417	Refueling screw plug				
	1-09604-022-0	1701320-117		01	A
421	Rear cover				
	1-33131-242-0	1701511-P301		01	A
429	Dowel pin				
	9-08151-018-0	1701018-117		02	A
					Outer diameter =10 Length=18
430	Plug screw				
	1-09604-023-0	1701310-117		01	A
					M24*17
434	Clutch housing				
	1-31111-202-0	1601211B-P301		01	A
435	Transmission hull				
	1-33111-315-0	1701055-P301		01	A

2-25

Speedometer drive gear

Figure No.

MLD manual transmission



Speedometer drive gear

2-25

MLD manual transmission

Figure No.

N/S	Recommended specification / name of part				Applicable models / applicable status / notes
	Isuzu figure No.	QingLing figure No.	Left/Right	Qty.	
					MLD manual transmission
1	Speed gauge gear				
	1-33372-133-5	1701094-P301		01	A Teeth number=15
2	Bushing-speedometer drive gear				
	1-33373-057-4	1701360-117		01	A
3	O-ring				
	1-09623-246-0			01	A Including in the major repair kit of manual transmission
10	Oil seal				
	1-09625-510-0			01	A Including in the major repair kit of manual transmission
13	Screw				
	1-09044-063-0	1701029-117		01	A
18	Hexagon head bolt, spring washer and plain washer subassembly				
	0-50151-640-0	Q1461640		06	A M16x40
19	Small washer				
	9-09160-516-0	Q40016		02	A Inner diameter=16

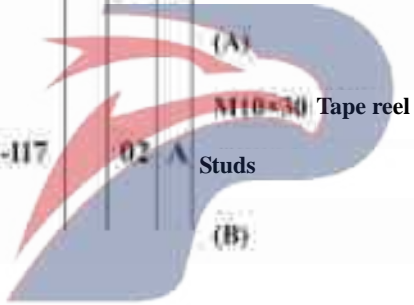
2-25

Speedometer drive gear

Figure No.

MLD manual transmission

N/S	Recommended specification / name of part				Applicable models / applicable status / notes
	Isuzu figure No.	QingLing figure No.	Left/Right	Qty.	MLD manual transmission
27	Hexagon nut (type I)-fine thread				
	9-99110-516-0	Q341B16T13FZ		02	A M16
32	Bolt-clutch housing and flying housing				
	0-28781-030-0			10	A
	1-09302-149-0	1701021-117		02	A Studs
34	Studs				
	1-09302-149-0	1701021-117		02	A
35	Spring washer				
	9-09150-516-0	Q40316		02	A Inner diameter=16



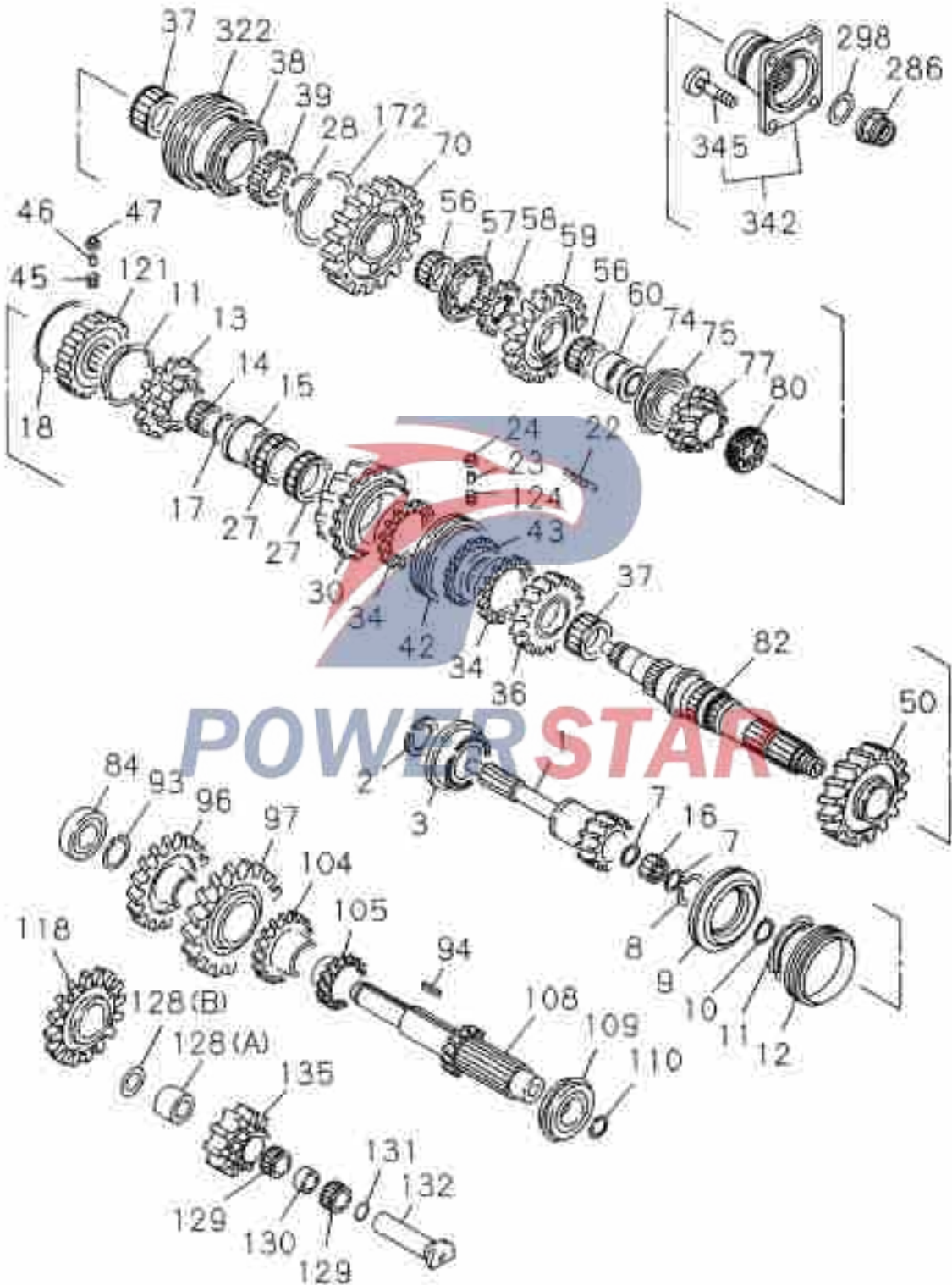
POWERSTAR

Manual transmission gear

2-26

MLD manual transmission

Figure No.



2-26

Manual transmission gear

Figure No.

MLD manual transmission

N/S	Recommended specification / name of part				Applicable models / applicable status / notes
	Isuzu figure No.	QingLing figure No.	Left/Right	Qty.	MLD manual transmission
1	1 shaft				
	1-33211-982-0	1701061-P301		01 A	Teeth number=25
2	Retaining ring				
	1-09588-160-1			01 A	White Thickness = 2.53
	1-09588-161-1			01 A	Yellow Thickness = 2.56
	1-09588-162-1			01 A	Blue Thickness = 2.60
	1-09588-163-1			01 A	Green Thickness = 2.64
3	Bearing- gear				
	1-09810-050-2			01 A	
7	Thrust washer-main shaft				
	1-33239-020-0	1701038-117		02 A	
8	Circlip				
	1-33219-020-0			01 A	

Manual transmission gear

2-26

MLD manual transmission

Figure No.

N/S	Recommended specification / name of part				
	Isuzu figure No.	QingLing figure No.	Left/Right	Qty.	Applicable models / applicable status / notes
					MLD manual transmission
9	One-axis coupling				
	1-33265-227-2	1701062-117		01	A Teeth number=48
10	Retaining ring				
	1-09587-072-0			01	A
11	Synchronizer ring				
	1-33265-281-1			02	A
12	Engagement sleeve				
	1-33262-136-0			01	A Teeth number=42
13	5th gear-main shaft				
	1-33253-711-0			01	A Teeth number=28
14	Needle roller bearing				
	1-09811-298-0			01	A
15	Shaft sleeve-4th gear				
	1-33234-048-1	1701374-117		01	A
16	Needle bearing-inner hole of shaft				
	1-09844-015-0			13	A

2-26

Manual transmission gear

Figure No.

MLD manual transmission

N/S	Recommended specification / name of part				A
	Isuzu figure No.	QingLing figure No.	Left/Right	Qty.	
					MLD manual transmission
17	Retaining ring				
	1-09588-151-1			01	A
18	Retaining ring				
	1-09588-150-1			01	A
					Thickness = 2.00
22	5th/ 6th locking ring spring				
	1-09583-228-1			03	A
23	Dowel pin				
	1-33269-037-1			03	A
24	Slider				
	1-33269-055-1			03	A
27	Needle roller bearing				
	1-09811-300-0			02	A
28	Retaining ring				
	1-09588-124-1			01	A
30	4th gear assembly				
	1-33253-501-0	1701250-117		01	A
					Teeth number=33

Manual transmission gear

2-26

MLD manual transmission

Figure No.

S/N	Recommended specification / name of part				
	Isuzu figure No.	QingLing figure No.	Left/Right	Qty.	Applicable models / applicable status / notes
					MLD manual transmission
34	Locking ring assembly				
	1-33265-619-1			02	A
36	3rd gear assembly				
	1-33252-373-1	1701200-117		01	A
					Teeth number=43
37	Needle roller bearing				
	1-09811-277-0			02	A
	1-09811-279-0			02	A
38	Locking ring assembly				
	1-33265-619-1			01	A
39	1st /2nd gear spline drum				
	1-33261-217-0			01	A
					Teeth number=54
42	3rd / 4th sleeve				
	1-33262-154-0			01	A
					Teeth number=54
43	3rd /4th gear spline drum				
	1-33261-218-0			11	A
45	Synchronizer spring				
	1-09580-395-0			06	A

2-26

Manual transmission gear

Figure No.

MLD manual transmission

S/N	Recommended specification / name of part				
	Isuzu figure No.	QingLing figure No.	Left/Right	Qty.	Applicable models / applicable status / notes
					MLD manual transmission
46	Dowel pin				
	1-33269-037-1			06	A
47	Slider				
	1-33269-035-1			06	A
50	2nd gear assembly				
	1-33251-294-1	1701220-117		01	A Teeth number=48
56	Needle roller bearing				
	1-09811-320-0			02	A
57	Reverse engagement sleeve				
	1-33262-110-0			01	A Teeth number=40
58	Reverse gear spline drum				
	1-33262-132-0			01	A Teeth number=26
59	Reverse gear-main shaft				
	1-33257-085-0	1701205-113		01	A Teeth number=44
60	Bushing -reverse gear				
	1-33234-095-0	1701372-117		01	A

Manual transmission gear

2-26

MLD manual transmission

Figure No.

N/S	Recommended specification / name of part				Applicable models / applicable status / notes
	Isuzu figure No.	QingLing figure No.	Left/Right	Qty.	
70	1st gear assembly				
	1-33255-055-1	1701080-117		01	A Teeth number=52
74	Washer				
	1-33239-035-2	1701039-117		01	A
75	Ball bearing				
	1-09810-047-1			01	A
	1-09810-154-0			01	A
77	6th gear assembly				
	1-33253-517-0	1701260-117		01	A Teeth number=25
80	Speed gauge gear				
	1-33371-041-2	1701092-P301		01	A Teeth number=5
82	Output shaft				
	1-33231-321-0	1701073-P301		01	A Teeth number=19-34-37-26-20
84	Bearing-intermediate shaft				
	1-09810-140-0			01	A

2-26

Manual transmission gear

Figure No.

MLD manual transmission

N/S	Recommended specification / name of part				Applicable models / applicable status / notes
	Isuzu figure No.	QingLing figure No.	Left/Right	Qty.	
					MLD manual transmission
93	Retaining ring-intermediate shaft				
	1-09588-125-0			01	A Inner diameter=55.8
94	Key				
	1-09735-022-1	1701377-117		02	A Length=47
	1-09735-025-0	1701378-117		02	A Length=55
96	Transmission gear- intermediate shaft				
	1-33331-267-0	1701311-117		01	A Teeth number=42
104	4th gear-intermediate shaft				
	1-33332-129-0	1701331-117		01	A Teeth number=36
105	3rd gear-intermediate shaft				
	1-33333-167-0	1701351-117		01	A Teeth number=28
108	Intermediate shaft				
	1-33311-320-0	1701244-113		01	A Teeth number=19

Manual transmission gear

2-26

MLD manual transmission

Figure No.

N/S	Recommended specification / name of part				Applicable models / applicable status / notes	
	Isuzu figure No.	QingLing figure No.	Left/Right	Qty.		A
109	Bearing-intermediate shaft					
	1-09810-039-1			01	A	
	1-09810-041-1			01	A	
110	Retaining ring					
	1-09588-047-0			01	A	
118	6th gear-intermediate shaft					
	1-33332-126-0	1701291-117		01	A	
121	5th /6th gear spline drum					
	1-33261-2700-0			01	A	
124	Synchronizer spring					
	1-09580-395-0			03	A	
128	Bushing					
	1-33239-079-1	1701016-117		01	A	
	(A) Inside diameter =38.5 Thickness = 42					
	1-33363-024-1	1701017-117		01	A	
	(B) Washer Inside diameter =38.5 Thickness = 42					

2-26

Manual transmission gear

Figure No.

MLD manual transmission

S/N	Recommended specification / name of part				Applicable models / applicable status / notes	
	Isuzu figure No.	QingLing figure No.	Left/Right	Qty.		MLD manual transmission
129	Needle roller bearing					
	1-09811-102-0			02	A	
	1-09811-103-0			02	A	
130	Washer-Reverse idle gear					
	1-33363-023-0	1701015-117		01	A	
131	O-ring					
	1-09623-384-0			01	A	
					Including in the major repair kit of manual transmission	
132	Reverse shaft					
	1-33351-017-0	1701821-117		01	A	
135	Idle gear-reverse gear					
	1-33361-085-0	1701271-113		01	A	
					Teeth number=30	
172	Retaining ring					
	1-09588-040-0	1701371-117		01	A	
					Inside diameter =130 Thickness = 2.5	
286	Lock nut					
	1-09449-063-0	1702023-P301		01	A	

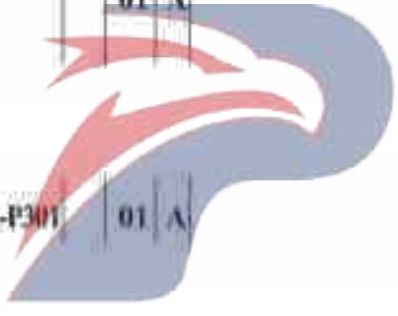
Manual transmission gear

2-26

MLD manual transmission

Figure No.

N/S	Recommended specification / name of part			
	Isuzu figure No.	QingLing figure No.	Left/Right	Qty.
				Applicable models / applicable status / notes
				MLD manual transmission
298				O-ring
				Including in the major repair kit of manual transmission
	1-09623-380-0		01	A
322				1st / 2nd sleeve
	1-33262-153-1		01	A
342				Output flange
	1-37243-176-3	1702311A-P301	01	A
345				Bolt-flange
	1-46219-086-0	1702312-P301	04	A
				M16×51



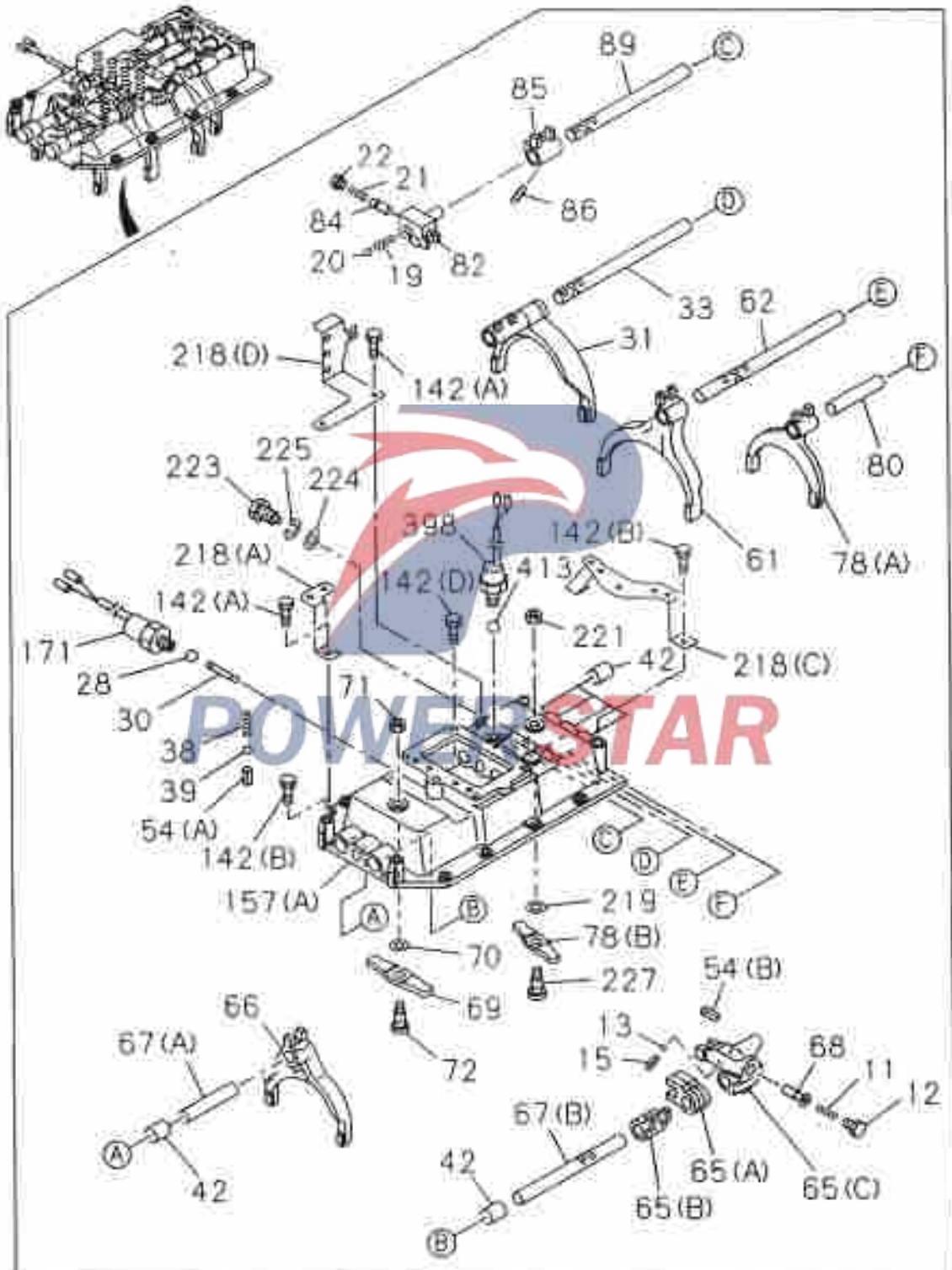
POWERSTAR

2-30

Gear shift control mechanism

Figure No.

Lower section: MLD

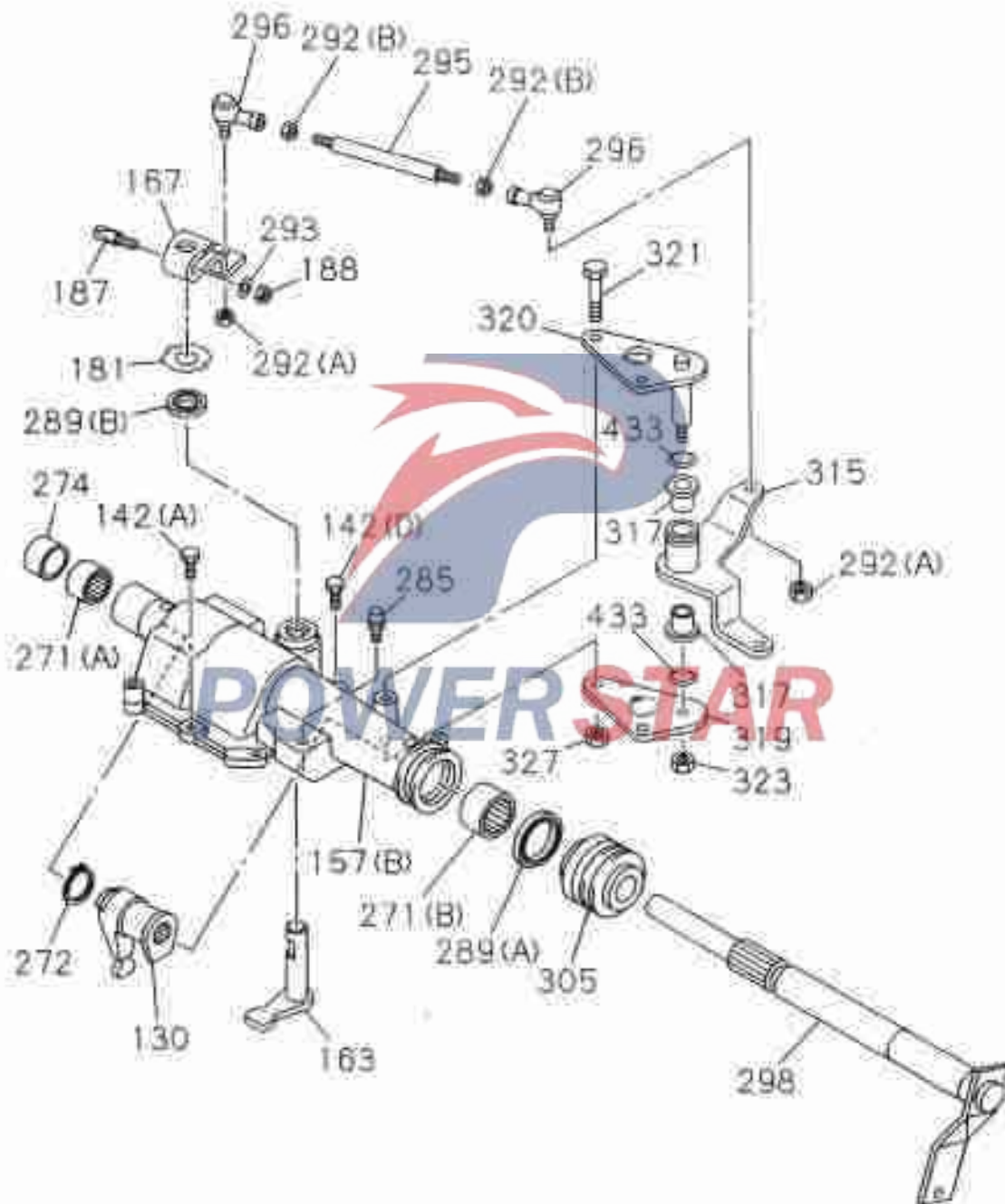


Gear shift control mechanism

2-30

Upper section

Figure No.



2-30

Gear shift control mechanism

Figure No.

MLD manual transmission

N/S	Recommended specification / name of part				
	Isuzu figure No.	QingLing figure No.	Left/Right	Qty.	Applicable models / applicable status / notes
					MLD manual transmission
11	Return spring				
	9-09941-160-0			01	A
12	Return spring cap				
	9-33516-060-1	1702337-117		01	A
13	Steel ball				
	9-00097-509-0	1702335-117		01	A
15	Locking spring				
	1-09580-442-0			01	A
19	Spring				
	1-09580-441-0			01	A
20	Steel ball				
	9-00097-509-0			01	A
21	Return spring				
	9-09941-160-0			01	A
22	Return spring cap				
	9-33516-060-1			01	A
28	Steel ball				
	0-00097-501-0			04	A
30	Interlock pin				
	9-33534-003-0			03	A

Gear shift control mechanism

2-30

MLD manual transmission

Figure No.

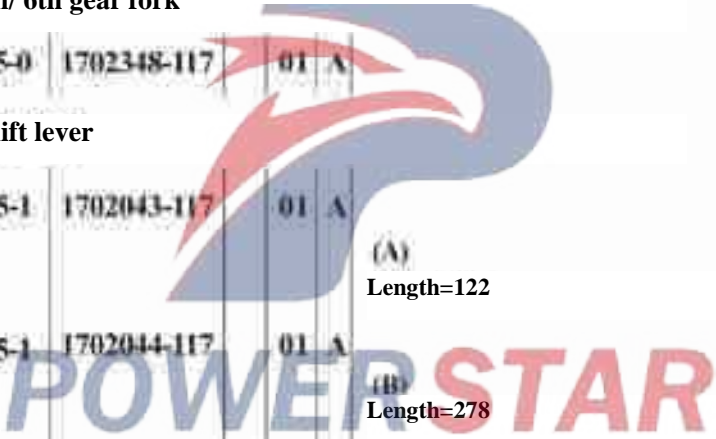
N/S	Recommended specification / name of part				
	Isuzu figure No.	QingLing figure No.	Left/Right	Qty.	Applicable models / applicable status / notes
					MLD manual transmission
31	1st / 2nd gear fork				
	1-33511-439-1	1702338-117		01	A
33	Lever-low				
	1-33531-253-1	1702041-117		01	A
38	Self-locking spring				
	1-09580-419-0			04	A
39	Steel ball				
	1-09843-012-0	1702354-117		04	A
42	Cap - shift gear box				
	9-33545-011-1	1702051-117		06	A
					Outer diameter =24 Length=31
54	Spring pin				
	1-09748-006-0			01	A
					(B)
	1-09748-014-0			03	A
					(A)
61	3rd /4th gear fork				
	1-33511-490-1	1702344-117		01	A
62	3rd/ 4th shift lever				
	1-33531-254-1	1702042-117		01	A

2-30

Gear shift control mechanism

Figure No.

MLD manual transmission

S/N	Recommended specification / name of part				
	Isuzu figure No.	QingLing figure No.	Left/Right	Qty.	Applicable models / applicable status / notes
					MLD manual transmission
65	Shift head				
	1-33511-202-3	1702345-117		01	A (A)
	1-33511-208-3	1702346-117		01	A (B)
	1-33511-513-0	1702347-117		01	A (C)
66	5th/ 6th gear fork				
	1-33511-505-0	1702348-117		01	A
67	Shift lever				
	1-33531-235-1	1702043-117		01	A (A) Length=122
	1-33531-255-1	1702044-117		01	A (B) Length=278
					
68	Limit sleeve				
	1-33516-025-0			01	A
69	Gear shift arm				
	1-33511-082-0	1702339-117		01	A
70	Washer				
	9-09857-042-0	1701035-117		01	A Inner diameter=16.5
71	Hexagon flange nut				
	0-91150-212-0	Q32012T13F2		01	A M12

Gear shift control mechanism

2-30

MLD manual transmission

Figure No.

N/S	Recommended specification / name of part				
	Isuzu figure No.	QingLing figure No.	Left/Right	Qty.	Applicable models / applicable status / notes
					MLD manual transmission
72	----- Shaft pin				
	1-33519-012-0	1702343-117		01	A
78	----- Shifting fork				
	1-33511-082-0	1702339-117		01	A Gear shift arm (B)
	1-33511-234-1	1702342-117		01	A Reverse fork (A)
80	----- Lever				
	1-33531-234-1	1702046-117		01	A
82	----- Shift lever				
	1-33511-310-0	1702332-117		01	A
84	----- Limit sleeve				
	1-33516-025-0			01	A
85	----- 3rd/ 4th shift pad				
	1-33511-201-3	1702341-117		01	A
86	----- Screw				
	1-09052-039-0	1701032-117		09	A M12×20
89	----- Shift lever-reverse gear				
	1-33531-252-1	1702045-117		01	A
130	----- Shift lever				
	1-33531-111-1	1702057-117		01	A

2-30

Gear shift control mechanism

Figure No.

MLD manual transmission

N/S	Recommended specification / name of part				
	Isuzu figure No.	QingLing figure No.	Left/Right	Qty.	Applicable models / applicable status / notes
					MLD manual transmission
142	----- Hexagon flange bolt				
	0-28181-028-0	Q1841028		12	A (A) M10×28
	0-28181-060-0	Q1841060		03	A (B) M10×60
	1-09040-089-1	1701022-117		02	A Bolt (D) M10×28
	1-09049-020-0	1701026-117		01	A Bolt (C) M10×20, M10 ×60 Length=90
157	----- Lower control cap				
	1-33541-527-0	1703011-117		01	A (A) Lower control cap
	1-33541-529-0	1703041-113		01	A Gear shift control box (B)
163	----- Shift lever				
	1-33522-041-4	1702020-117		01	A
167	----- Outside the gear shifter				
	1-33521-064-0	1702090-117		01	A
171	----- Neutral switch				
	1-82440-101-0	1702070-117		01	A

Gear shift control mechanism

2-30

MLD manual transmission

Figure No.

S/N	Recommended specification / name of part				
	Isuzu figure No.	QingLing figure No.	Left/Right	Qty.	Applicable models / applicable status / notes
					MLD manual transmission
181	----- Washer				
	1-09832-008-0	1701036-117		01	A
					Outer diameter =40
187	----- Bolt				
	1-33659-045-0	1701028-117		01	A
					M8×42
188	----- Nut				
	1-09440-062-1	1702234-P301		01	A
					M8
218	----- Bracket-control cap harness clip				
	1-82699-639-1			01	A
					(A)
	1-82699-663-1			01	A
					(D)
	1-82699-733-0			01	A
					(C)
219	----- Washer				
	8-09857-042-0	1701035-117		01	A
					Inner diameter=16.5
221	----- Hexagon flange nut				
	0-91150-212-0	Q32012T13F2		01	A
					M12
223	----- Screw				
	9-09816-057-1	1701031-117		01	A
					M14×45

2-30

Gear shift control mechanism

Figure No.

MLD manual transmission

N/S	Recommended specification / name of part				
	Isuzu figure No.	QingLing figure No.	Left/Right	Qty.	Applicable models / applicable status / notes
					MLD manual transmission
224	----- Small washer				
	9-09160-514-0	Q40014		01	A
					Inside diameter = 14 Outside diameter = 26 Thickness = 2.3
225	----- Spring washer				
	9-09150-514-0	Q40314		01	A
					Inner diameter=14
227	----- Shaft pin				
	1-33519-012-0	1702343-117		01	A
271	----- Bushing				
	1-33549-016-0	1702054-117		01	A
					(A) Inner diameter=20 Outer diameter=23
	1-33549-104-0	1702055-117		01	A
					(B) Inner diameter=28 Outer diameter=32
272	----- Retaining ring				
	1-09588-175-0			01	A
274	----- Shaft cover				
	9-33545-017-1	1702056-117		01	A
285	----- Vent plug				
	1-33149-003-0	2401210-44		01	A

Gear shift control mechanism

2-30

MLD manual transmission

Figure No.

N/S	Recommended specification / name of part				Applicable models / applicable status / notes	
	Isuzu figure No.	QingLing figure No.	Left/Right	Qty.		MLD manual transmission
289	Oil seal				Including in the major repair kit of manual transmission (A) Outer diameter = 41 (B) Outer diameter = 30	
	1-09625-647-0			01 A		
	1-09625-386-0			01 A		
292	Hexagon thin nut				Nut (A) M8 Tape reel (B) M8	
	1-09440-062-1	1702234-P301		02 A		
	9-09111-408-0	Q350B08		02 A		
293	Big washer				Inner diameter=8 Outer diameter=22	
	9-09160-708-0	Q40208		01 A		
295	Lever				Length=130	
	1-09765-262-0	1702321-117		01 A		
296	Rod end				Length=48	
	1-09760-038-1	1702322-117		01 A		

2-30

Gear shift control mechanism

Figure No.

MLD manual transmission

N/S	Recommended specification / name of part				A	
	Isuzu figure No.	QingLing figure No.	Left/Right	Qty.		Applicable models / applicable status / notes
						MLD manual transmission
298	Relay rod assembly					
	1-33671-117-0	1702010-117		01	A	
305	Dust cover					
	1-33529-028-0	1702053-117		01	A	
315	Connection plate assembly-Shift operating mechanism					
		1702020-P301		01	A	
317	Bushing-lever					
	1-09330-119-0			02	A	
319	Connection board					
	1-33657-515-0			01	A	
320	Connecting plate-gear shift control mechanism					
		1702030-P301		01	A	
321	Hexagon head bolt					
	0-10806-080-0	Q151C1080		02	A	
					M10×80	
323	Lock nut-selecting rod					
	0-91150-110-0			01	A	
					M10 Tape reel	

Gear shift control mechanism

2-30

MLD manual transmission

Figure No.

N/S	Recommended specification / name of part				Applicable models / applicable status / notes
	Isuzu figure No.	QingLing figure No.	Left/Right	Qty.	
327	Nut				
	6-91150-210-0	Q32010T13F2		02	A M10 Tape reel
398	Reverse light switch				
	1-82440-083-2	1702060-117		01	A
413	Steel ball				
	9-00097-013-0	1702052-117		01	A
433	Sealing gasket-bushing				
	1-09623-594-0			02	A

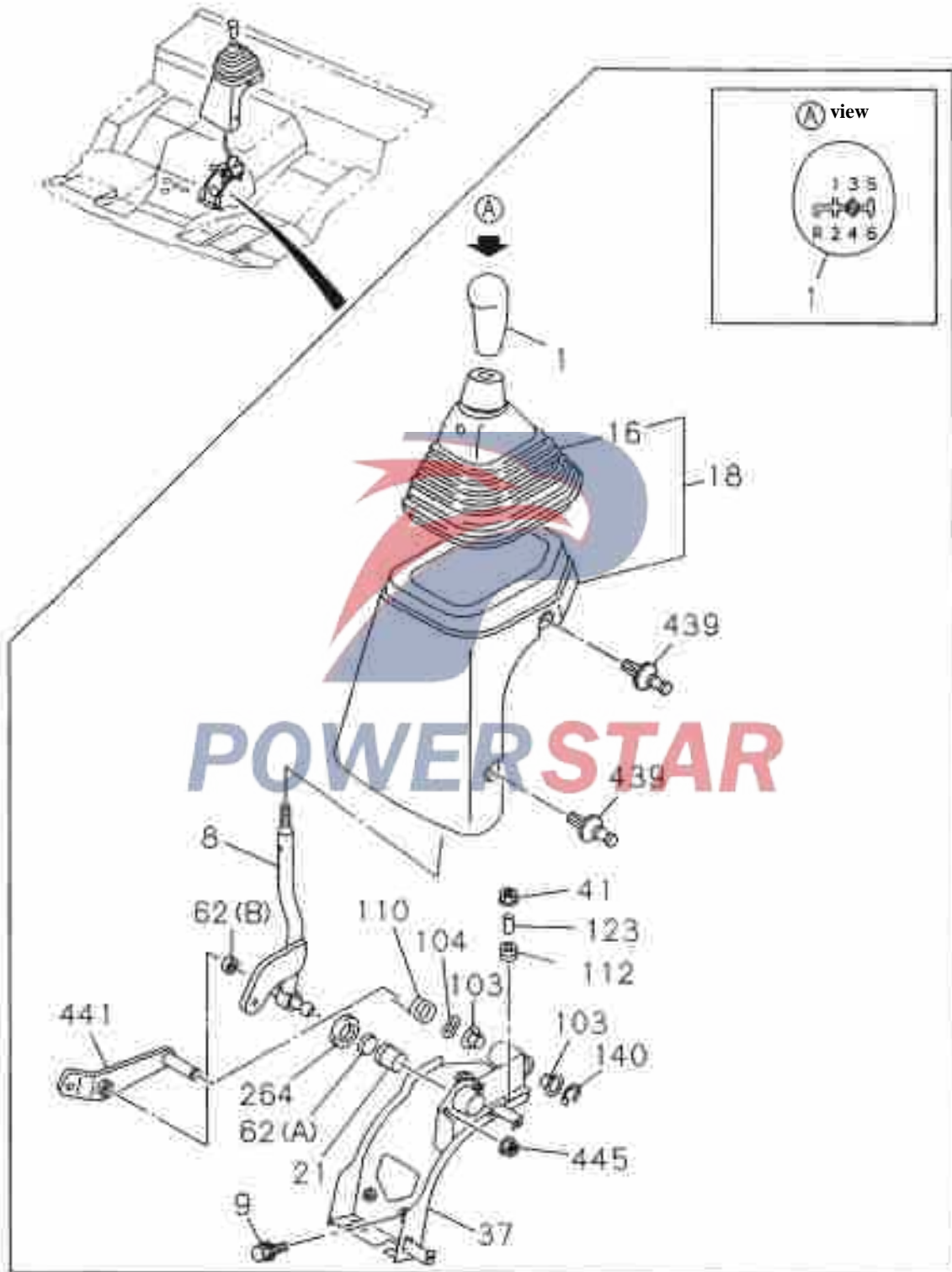
POWERSTAR

2-35

Manual transmission lever

Figure No.

MLD manual transmission



Manual transmission lever

2-35

MLD manual transmission

Figure No.

N/S	Recommended specification / name of part				Applicable models / applicable status / notes
	Isuzu figure No.	QingLing figure No.	Left/Right	Qty.	
1	----- Gear shift handle				
	1-33611-070-0	1702100-P301		01	A
8	----- Gear shift lever				
	1-33619-462-0			01	A
9	----- Bolt				
	8-94412-342-0	1702237-P301		01	A
					M8x25
16	----- Dust cover--gear shift lever				
	1-79998-913-0			01	A
18	----- Dust cover--power shift lever				
	1-79998-910-0			01	A
21	----- Gear shift lever base				
	1-33619-429-0			01	A
37	----- Bracket-gear shift lever				
	1-33619-461-0			01	A
41	----- Nut-gear shift lever				
	8-97065-435-0			02	A
					M8 Tape reel

2-35

Manual transmission lever

Figure No.

MLD manual transmission

S/N	Recommended specification / name of part				Applicable models / applicable status / notes	
	Isuzu figure No.	QingLing figure No.	Left/Right	Qty.	MLD manual transmission	
					A	
62	Ball base-gear shift lever					
	1-33619-427-0			01	A	(A)
	8-97011-900-0			01	A	(B)
103	Bushing-cross rod					
	8-94252-671-0			02	A	Inner diameter=14 Outer diameter=16
104	Wave washer					
	1-09550-009-0			01	A	
110	Return spring-gear shift lever					
	1-33619-435-0			01	A	
112	Rubber bush					
	1-33619-442-0			04	A	
123	Spacer Sleeve-gear shift lever					
	1-33619-443-0			04	A	
140	Split pin					
	9-09185-410-0			01	A	Inner diameter=10

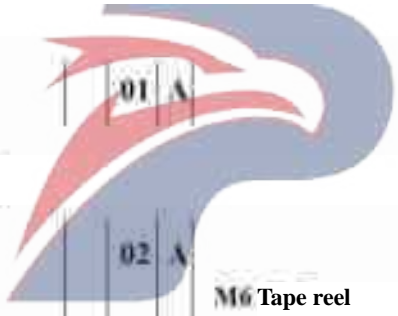
Manual transmission lever

2-35

MLD manual transmission

Figure No.

N/S	Recommended specification / name of part				Applicable models / applicable status / notes
	Isuzu figure No.	QingLing figure No.	Left/Right	Qty.	
					MLD manual transmission
264	-----	Cover plate			
	1-33619-430-0			01	A
439	-----	Clamp			
	1-09987-245-1	1702238-P301		04	A
441	-----	Selecting lever			
	1-33619-437-2			01	A
445	-----	Nut- plate			
	0-91150-106-0			02	A



POWERSTAR

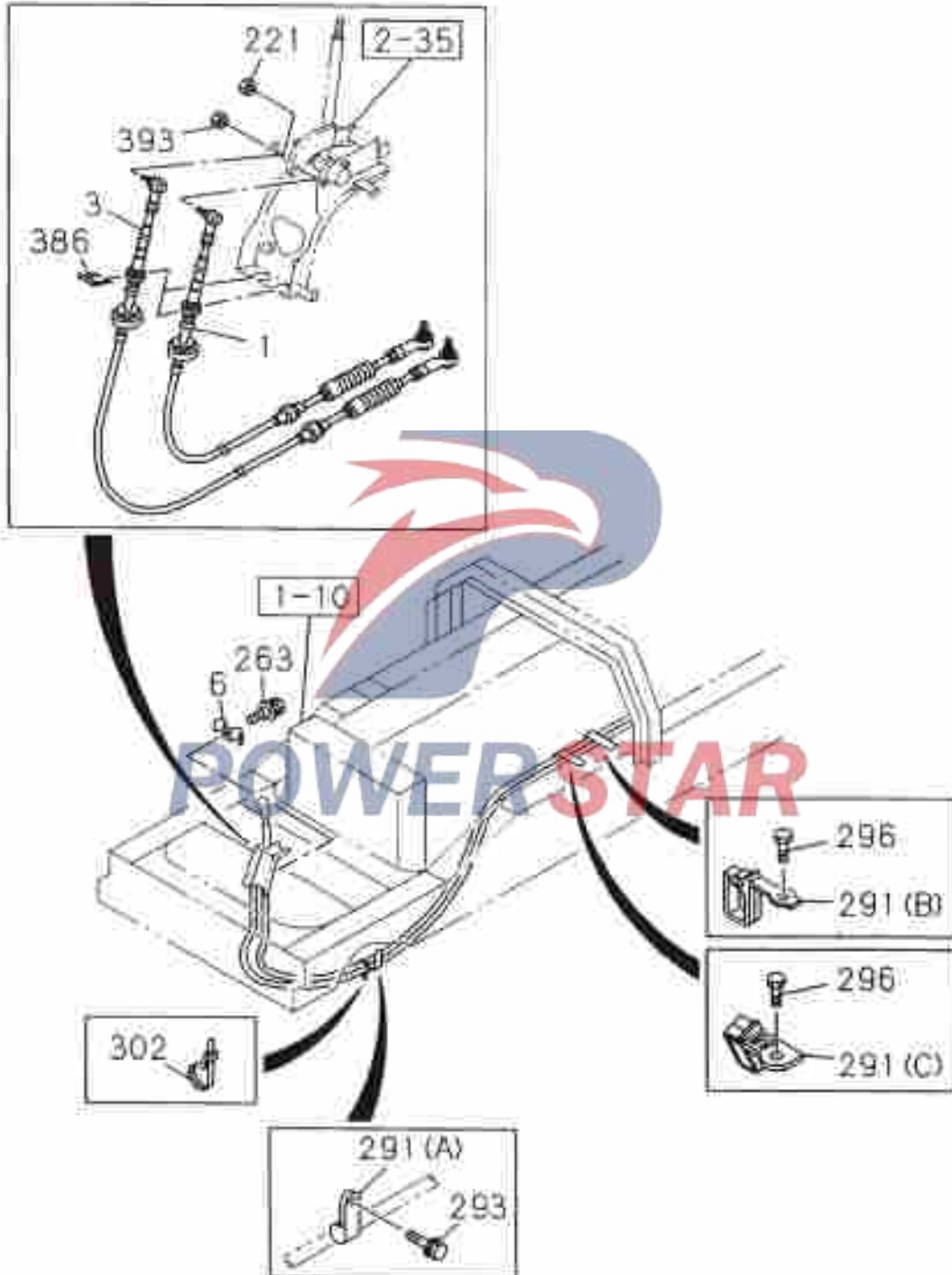
M6 Tape reel

2-36

Manual transmission control connecting rod and cable

Figure No.

Clip of cable and frame side



Manual transmission control connecting rod and cable

2-36

Nut of transmission side

Figure No.



2-36

Manual transmission control connecting rod and cable

Figure No.

Clip of cable and frame side

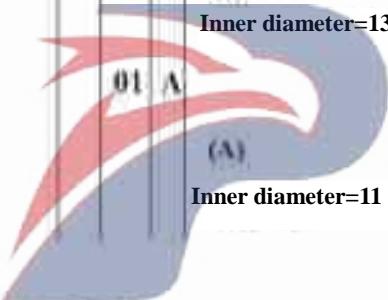
S/N	Recommended specification / name of part				Applicable models / applicable status / notes
	Isuzu figure No.	QingLing figure No.	Left/Right	Qty.	
1	----- Gear shift cable-gear shift control lever				
	1-33671-179-0	1702110-P301		01	A Length=3635
3	----- Select cable assembly				
	1-33671-182-0	1702120-P301		01	A Length=3695
6	----- Pressure plate-cable				
	1-09700-739-0	1702239-P301		01	A Inner diameter=11 Length =35
52	----- Nut - Bracket				
	0-91150-210-0			02	A M10 Tape reel
221	----- Nut				
	1-09440-049-0	1702233-P301		01	A M8 Tape reel
263	----- Bolt				
	8-94279-207-0	1702241-P301		01	A M8*16 With locking washer and plain washer

Manual transmission control connecting rod and cable

2-36

Nut of transmission side

Figure No.

S/N	Recommended specification / name of part				Applicable models / applicable status / notes
	Isuzu figure No.	QingLing figure No.	Left/Right	Qty.	
291	----- Clio-selecting cable and frame				MLD manual transmission
	1-09701-220-0			01 A	
	1-09701-245-0			01 A	
	9-09535-026-0			01 A	
 <p>Inner diameter=13×2 Length = 32 Inner diameter=11</p>					
293	----- Bolt-clip to frame				M8×16Tape reel
	0-28080-816-0			01 A	
296	----- Bolt-clip to frame				M8×30 Tape reel
	0-28680-830-0			02 A	
302	----- Hoop band				Length=300
	1-09707-001-1			01 A	

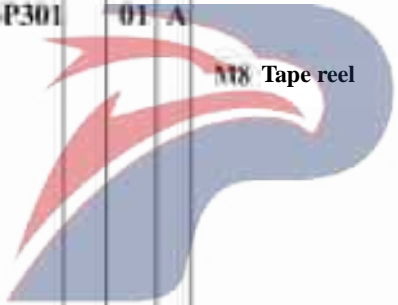
2-36

Manual transmission control connecting rod and cable

Figure No.

Clip of cable and frame side

N/S	Recommended specification / name of part				Applicable models / applicable status / notes
	Isuzu figure No.	QingLing figure No.	Left/Right	Qty.	MLD manual transmission
386	Flexible clip piece				
	1-09700-966-1	1702232-P301		02	A
393	Nut				
	1-09440-049-0	1702233-P301		01	A



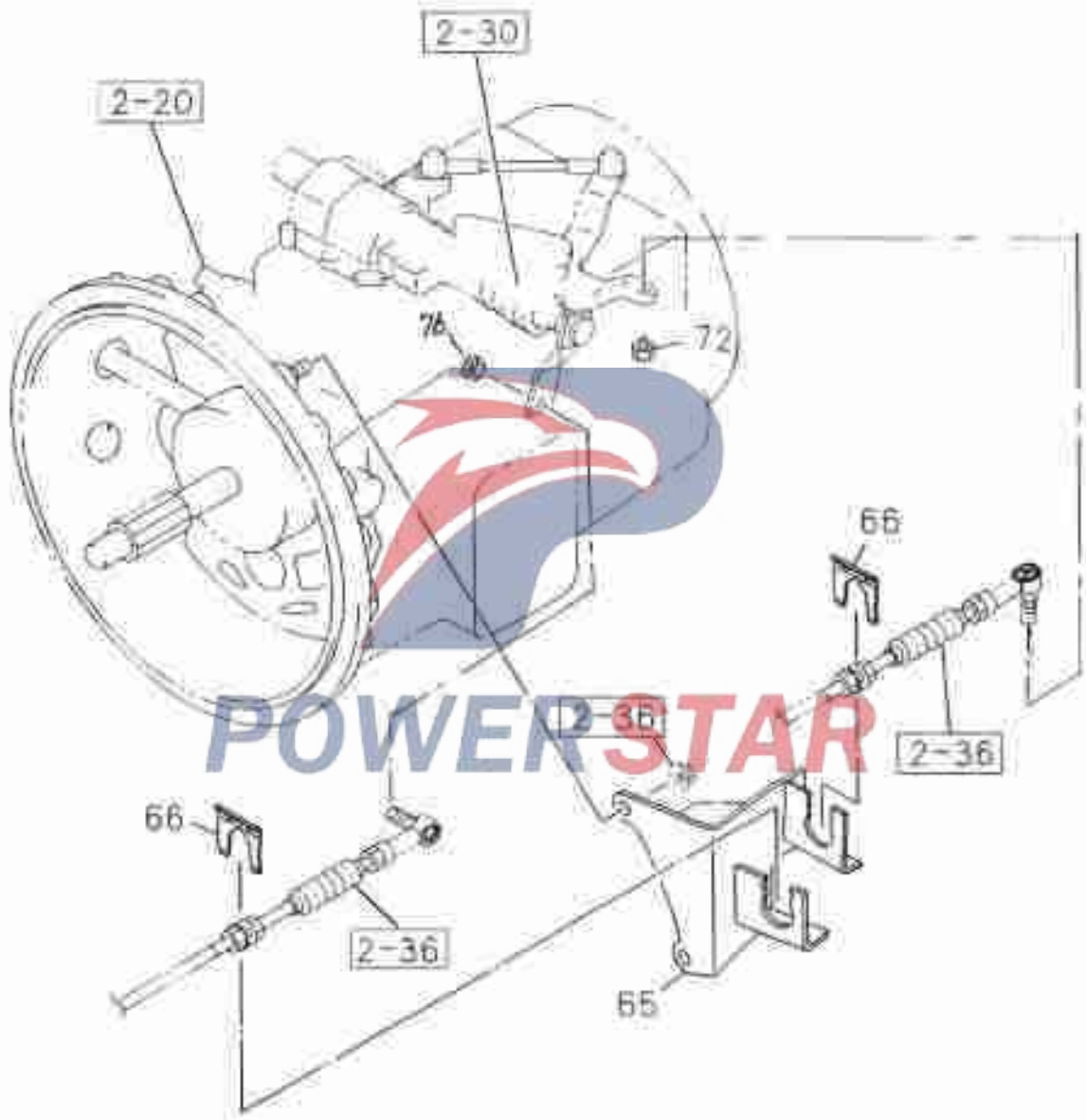
POWERSTAR

Manual transmission control mechanism (transmission side)

2-37

MLD manual transmission

Figure No.



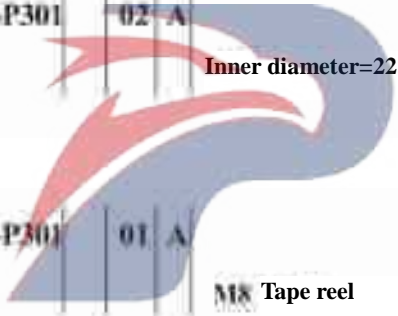
2-37

Manual transmission control mechanism (transmission side)

Figure No.

MLD manual transmission

N/S	Recommended specification / name of part				Applicable models / applicable status / notes
	Isuzu figure No.	QingLing figure No.	Left/Right	Qty.	
					MLD manual transmission
65	Control bracket assembly-gear shift cable				
		1702210-P301		01	A
66	Flexible clip piece				
	1-09701-209-1	1702231-P301		02	A
					Inner diameter=22.2
72	Nut				
	1-09440-062-1	1702234-P301		01	A
					M8 Tape reel
72	Nut				
	1-09440-062-1	1702234-P301		01	A
					M8 Tape reel

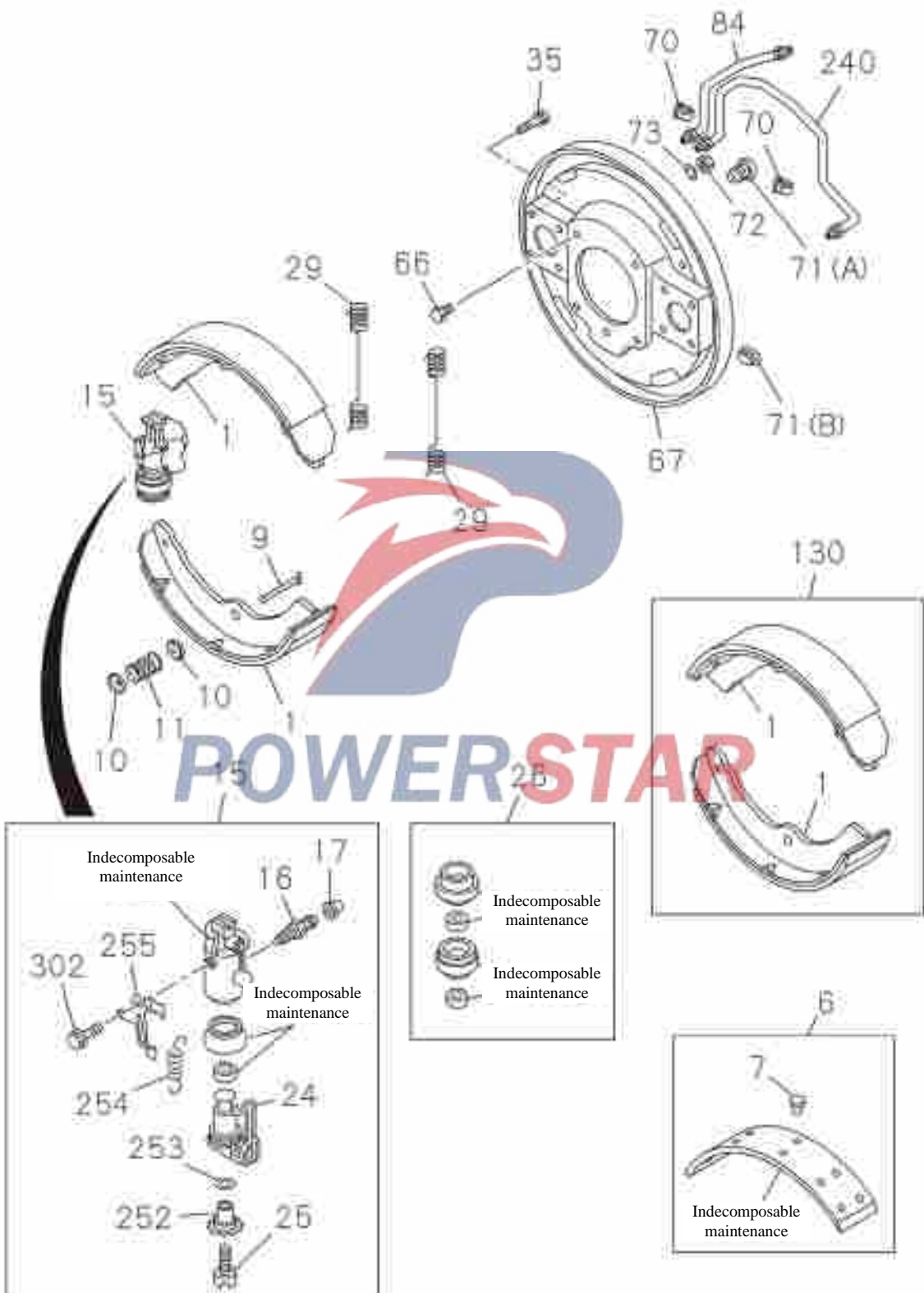


POWERSTAR

3-01

Front brake

Figure No.



Front brake

3-01

Figure No.

N/S	Recommended specification / name of part				
	Isuzu figure No.	QingLing figure No.	Left/Right	Qty.	Applicable models / applicable status / notes
					Single cab
1	----- Brake shoe assembly-front brake				
	8-97188-455-0	3501110-P301		04	A
6	----- Friction plate repair kit-front brake				
	5-87831-692-0			01	A
7	----- Rivet-friction plate repair kit				
	1-09732-029-0			04	A
9	----- Pin-shoe				
	8-97122-870-0	3501323-P301		04	A
10	----- Spring base-shoe fixed				
	9-47165-096-0	3501325-P301		08	A
11	----- Spring-shoe fixed				
	5-09580-101-1	3501324-P301		04	A
15	----- Front brake wheel cylinder assembly				
	8-98081-290-0	3501330-P301	Right	01	A
					Front
	8-98081-291-0	3501040-P301	Left	01	A
					Front

3-01

Front brake

Figure No.

N/S	Recommended specification / name of part				
	Isuzu figure No.	QingLing figure No.	Left/Right	Qty.	Applicable models / applicable status / notes
					Single cab
15	Front brake wheel cylinder assembly				
	8-98081-292-0	3501340-P301	Right	01	A
					Rear
	8-98081-293-0	3501030-P301	Left	01	A
					Rear
16	Exhaust vent bolt				
	8-98050-477-0	3501350-P301		02	A
17	Dust cover- exhaust vent bolt				
	8-98050-479-0	3502175-40		02	A
24	Piston-front brake cylinder				
	8-97349-731-0	3502320-P301	Left	02	A
	8-97349-732-0	3502320-P301	Right	02	A
25	Screw-self adjusting device				
	8-97349-741-0	3501335-P301	Left	02	A
	8-97349-742-0	3502335-P301	Right	02	A
26	Repair kit-front brake cylinder				
	5-87832-051-0			01	A

Front brake

3-01

Figure No.

N/S	Recommended specification / name of part				
	Isuzu figure No.	QingLing figure No.	Left/Right	Qty.	Applicable models / applicable status / notes
					Single cab
29	Return spring-brake shoe				
	8-97122-869-0	3501326-P301		04	A
35	Bolt-cylinder and brake bottom plate				
	8-97081-305-0	3501361-P301		16	A
66	Bolt- brake dust cover and steering knuckle				
	8-98007-879-0	3501881-P301		08	A
					M14×40
67	Bracket bottom plate-front brake				
	8-98077-948-0	3501321-P301	Right	01	A
	8-98077-949-0	3501021-P301	Left	01	A
70	Clamp-brake hose fixed				
	8-97022-086-0	3501363-P301		04	A
71	Blockage-backing plate				
	1-47154-008-0	3502364-P301		04	A
					(A)
	8-97017-507-0	3502322-P301		08	A
					Blocking- access hole
					(B)

3-01

Front brake

Figure No.

N/S	Recommended specification / name of part				
	Isuzu figure No.	QingLing figure No.	Left/Right	Qty.	Applicable models / applicable status / notes
					Single cab
72	Bolt- brake dust cover and steering knuckle				
	0-91110-514-0	Q341B14		08	A M14
73	Washer- brake dust cover and steering knuckle				
	0-91510-814-0	Q40514		08	A Inner diameter=14.2
84	Brake oil pipe assembly -cylinder to hose				
	8-97039-676-0	3506160-P301	Right	01	A
	8-97039-677-0	3506150-P301	Left	01	A
130	Repair kit-front brake shoe assembly				
	5-87831-693-0			01	A
240	Rear brake hose				
	8-97079-847-0	3506170-P301		02	A
250	Self adjusting ratchet				
	8-97358-894-0	3501334-P301	Left	02	A
	8-97358-895-0	3502334-P301	Right	02	A
253	Washer-drive gear				
	8-97349-736-0	3502338-P301		01	A

Front brake

3-01

Figure No.

S/N	Recommended specification / name of part				Applicable models / applicable status / notes	
	Isuzu figure No.	QingLing figure No.	Left/Right	Qty.	Single cab	
254	Return spring-self-aligning plate					
	8-97349-736-0	3502337-301		04	A	
255	Automatic dial plate					
	8-97349-743-0	3501339-P301	Left	02	A	
	8-97349-744-0	3502339-P301	Right	02	A	
302	Screw-self-adjusting dial plate fixed					
	8-97349-747-0	3501341-P301		04	A	

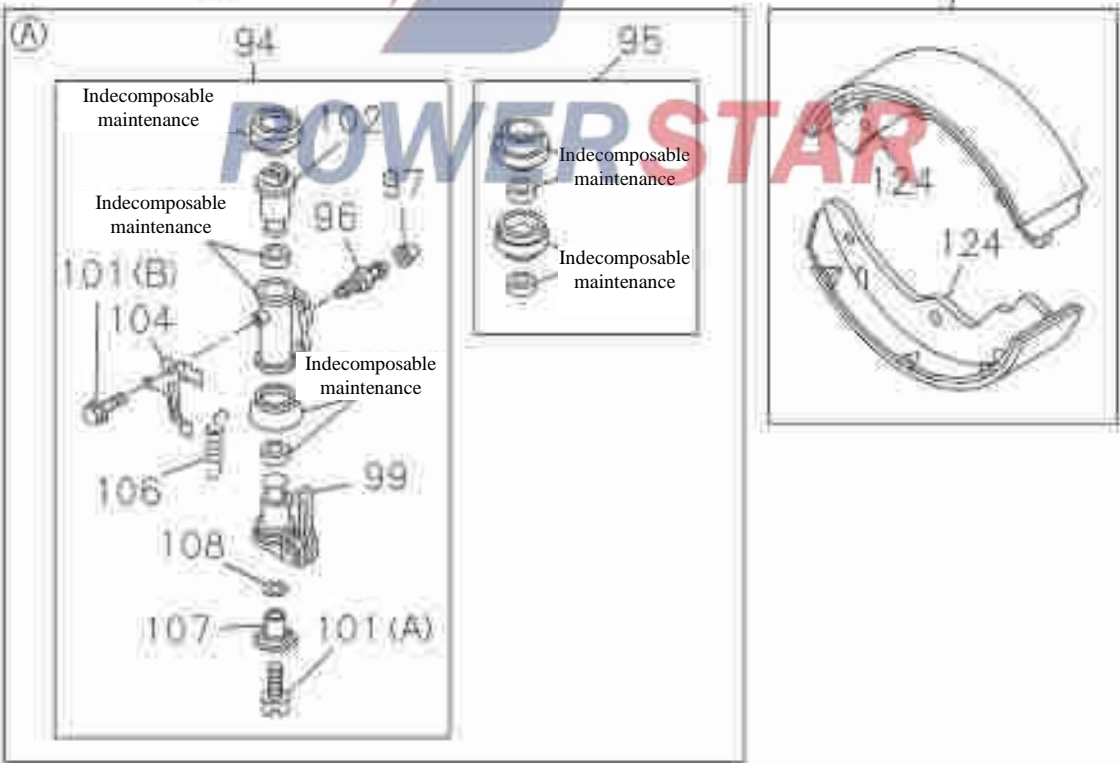
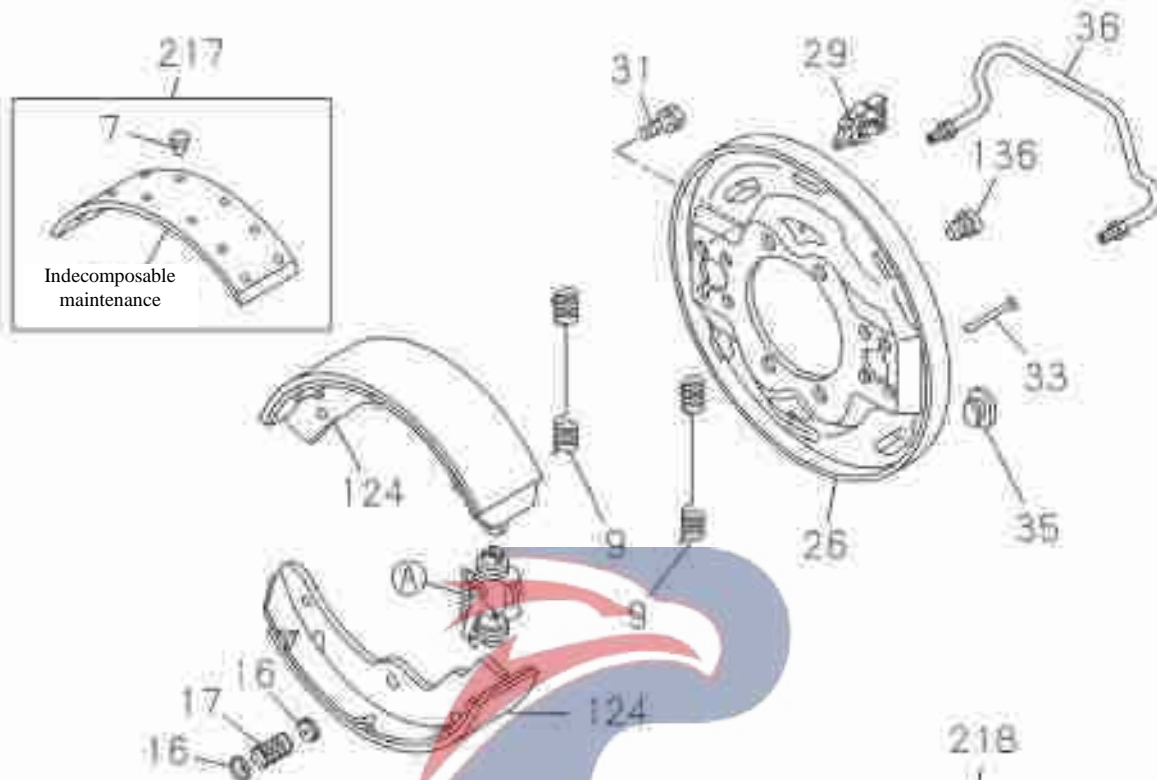


POWERSTAR

3-05

Rear brake

Figure No.



Rear brake

3-05

Figure No.

S/N	Recommended specification / name of part				Applicable models / applicable status / notes
	Isuzu figure No.	QingLing figure No.	Left/Right	Qty.	
7	----- Rivet-friction plate repair kit				
	1-09732-029-0			64	A
9	----- Return spring-brake shoe				
	8-97122-869-0	3501326-P301		04	A
16	----- Spring base-shoe fixed				
	9-47165-096-0	3501325-P301		08	A
17	----- Spring-shoe fixed				
	5-09580-101-1	3501324-P301		04	A
26	----- Rear backing plate				
	8-97168-748-0	3502321-P301	Right	01	A
	8-97168-750-0	3502021-P301	Left	01	A
29	----- Clamp-brake hose fixed				
	8-97022-086-0	3501363-P301		02	A
31	----- Bolt-cylinder and brake bottom plate				
	8-97081-305-0	3501361-P301		16	A

3-05

Rear brake

Figure No.

N/S	Recommended specification / name of part				
	Isuzu figure No.	QingLing figure No.	Left/Right	Qty.	Applicable models / applicable status / notes
					Single cab
33	Pin-shoe				
	8-97122-870-0	3501323-P301		04	A
35	Blocking- access hole				
	8-97079-847-0	3502322-P301		06	A
36	Rear brake hose				
	8-97079-847-0	3506170-P301		02	A
94	Rear brake cylinder assembly				
	8-97358-878-0	3502030-P301	Left	02	A
					Front
	8-97358-879-0	3502340-P301	Right	01	A
					Rear
	8-98358-881-0	3502330-P301	Right	01	A
					Front
95	Repair kit-rear brake cylinder				
	5-87832-185-0			01	A
96	Exhaust screw				
	8-98050-477-0	3501350-P301	Right	01	A
97	Dust cap- bleeder screw				
	8-98050-479-0	3502175-P301	Right	01	A

Rear brake

3-05

Figure No.

S/N	Recommended specification / name of part				
	Isuzu figure No.	QingLing figure No.	Left/Right	Qty.	Applicable models / applicable status / notes
					Single cab
99	----- Piston assembly				
	8-97349-731-0	3502320-P301	Left	02	A
	8-97349-732-0	3502320-P301	Right	02	A
101	----- Screw-automatic dial plate fixed				
	8-97349-741-0	3501335-P301	Left	02	A Screw-self adjusting device
	8-97349-742-0	3502335-P301	Right	02	A Screw-self adjusting device
	8-97349-747-0	3501341-P301		04	A (A) (B)
102	----- Piston				
	8-97332-043-0	3501332-P301		04	A
104	----- Self-adjusting dial plate				
	8-97349-743-0	3501339-P301	Left	02	A
	8-97349-744-0	3502339-P301	Right	02	A
106	----- Return spring				
	8-97349-745-0	3502337-P301		04	A
107	----- Self adjusting ratchet				
	8-97358-894-0	3501334-P301	Left	02	A
	8-97358-895-0	3502334-P301	Right	02	A

3-05

Rear brake

Figure No.

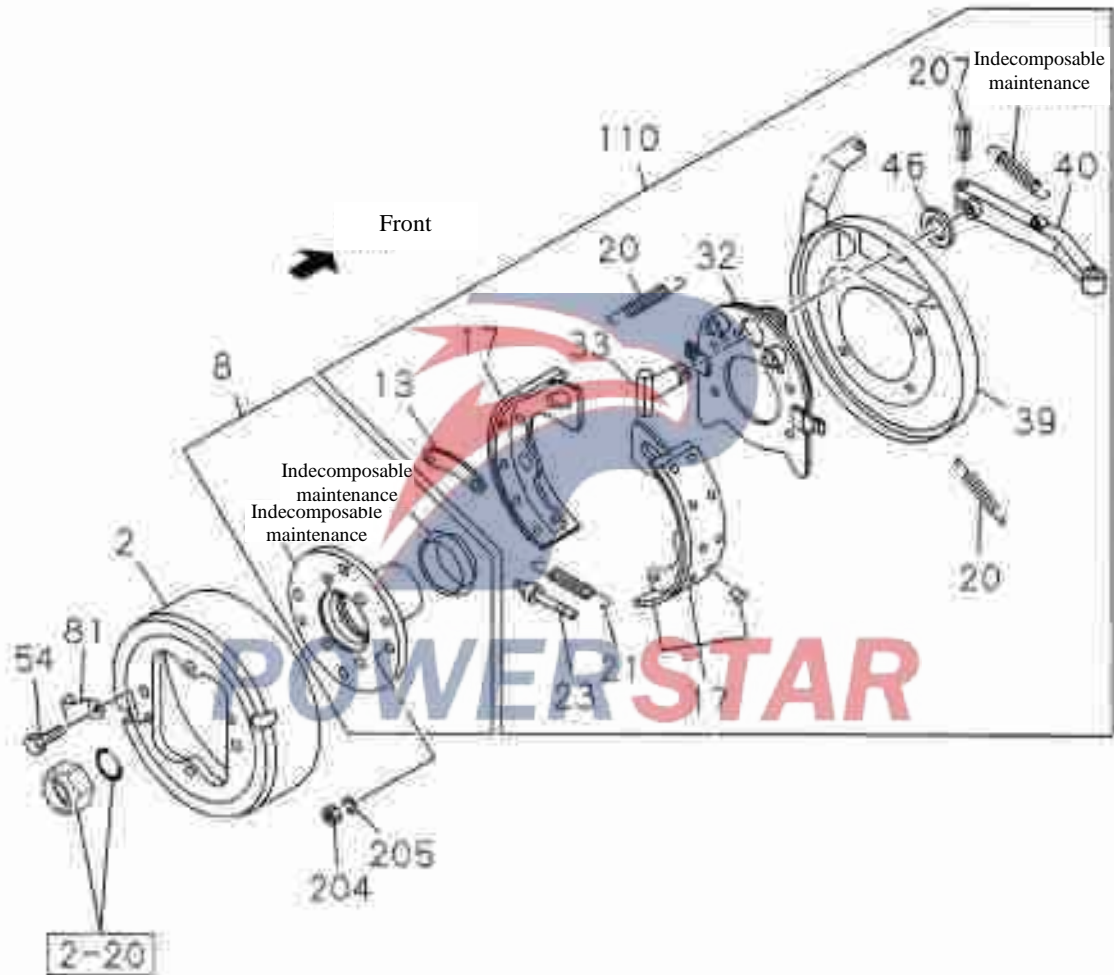
N/S	Recommended specification / name of part				Applicable models / applicable status / notes	
	Isuzu figure No.	QingLing figure No.	Left/Right	Qty.	Single cab	
108	Washer-drive gear board					
	8-97349-736-0	3502338-P301		04	A	
124	Brake shoe assembly					
	8-97188-455-0	3501110-P301		04	A	
136	Blockage					
	1-47154-008-0	3502364-P301		04	A	
217	Friction plate repair kit-rear brake					
	5-87831-692-0			01	A	
136	Repair kit-rear brake shoe assembly					
	5-87831-693-0			01	A	

Parking brake

NO.1

3-08

Figure No.

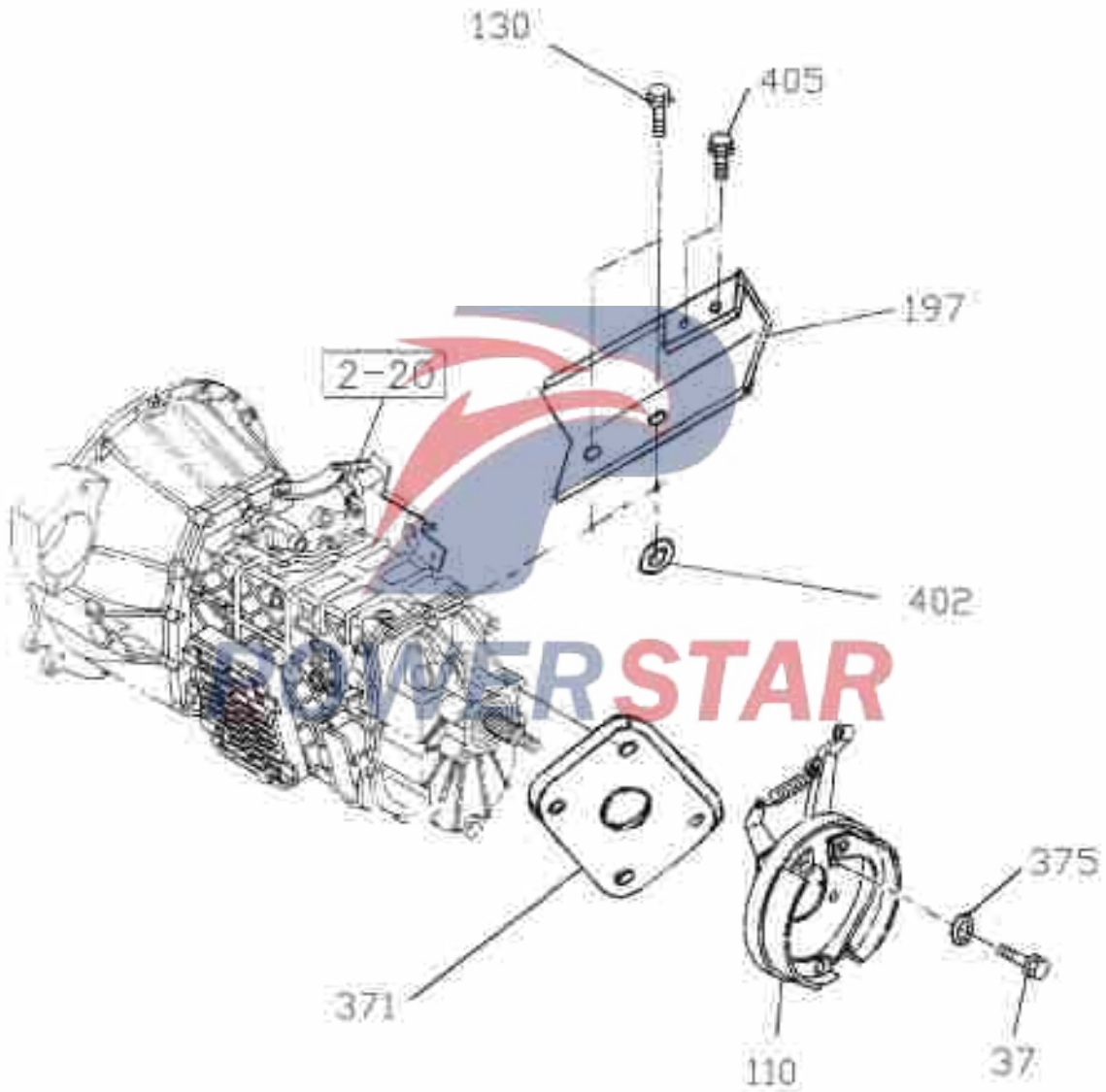


3-08

Parking brake

Figure No.

NO.2



Parking brake

3-08

Figure No.

N/S	Recommended specification / name of part			
	Isuzu figure No.	QingLing figure No.	Left/Right	Qty.
				Applicable models / applicable status / notes
Single cab				
2	----- Brake hub- parking brake			
	3507035-P301		01	A
8	----- Output flange assembly			
	1702310A-P301		01	A
13	----- Pressure plate-parking brake bottom boards			
	3507027-P301		01	A
17	----- Brake shoe assembly-parking brake			
	3507040-P301		02	A
20	----- Return spring			
	3508028-P301		02	A
21	----- Limit spring-brake shoe			
	3508029-P301		01	A
23	----- Adjustable support assembly- parking brake			
	3507043-P301		01	A
32	----- Parking brake chassis assembly			
	3705020-P301		01	A

3-08

Parking brake

Figure No.

S/N	Recommended specification / name of part			
	Isuzu figure No.	QingLing figure No.	Left/Right	Qty.
				Applicable models / applicable status / notes
				Single cab
33	Spindle-brake shoe assembly			
	3507043-P301		01	A
37	Hexagon head bolt-park brake			
	Q150B1455		04	A
39	Parking brake dust cover assembly			
	3705030-P301		01	A
40	Turning handle - parking brake			
	3507044-P301		01	A
46	Spring sheet			
	3507045-P301		01	A
54	Spring sheet			
	Q1840812		02	A
				M8×12
81	Baffle-shoe adjusting			
	3508054-P301		02	A
110	Parking brake assembly			
	3507010-P301		01	A

Parking brake

3-08

Figure No.

N/S	Recommended specification / name of part				
	Isuzu figure No.	QingLing figure No.	Left/Right	Qty.	Applicable models / applicable status / notes
					Single cab
130	----- Flange bolts				
	0-28151-025-0	Q1841065		02	A M10*65
197	----- Bracket - parking brake cable				
		3508090-P301		04	A
204	----- Hexagon nut (type I)				
	0-91110-514-0	Q341B14T13F2		04	A M14
205	----- Spring washer				
	0-91510-514-0	Q40514		04	A Inner diameter=14.2
206	----- Bolt				
	1-46219-086-0	1702312-P301		04	A
207	----- Lock pin - turning handle and shaft				
		3507046-P301		04	A
371	----- Pad board - parking brakes and gearboxes				
		3507011-P301		01	A

3-08

Parking brake

Figure No.

N/S	Recommended specification / name of part				
	Isuzu figure No.	QingLing figure No.	Left/Right	Qty.	Applicable models / applicable status / notes
					Single cab
375		Spring washer			
		Q40314		04	A
402		Flat washer			
		Q40110		02	A
405		Hexagon flange bolt			
		Q1840825		02	A
					M8x25

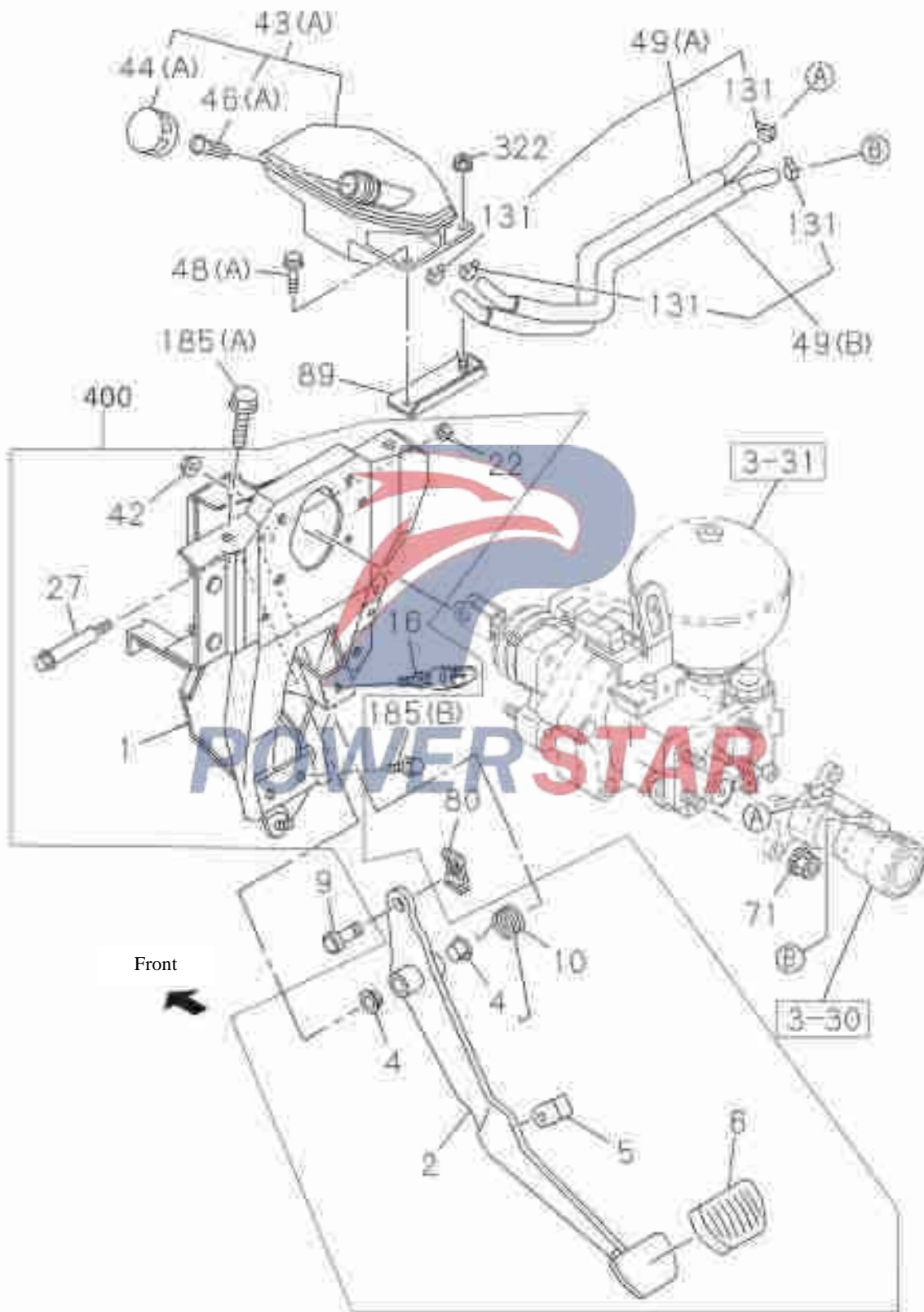
POWERSTAR

Brake pedal and control devices

3-10

Brake pedal

Figure No.

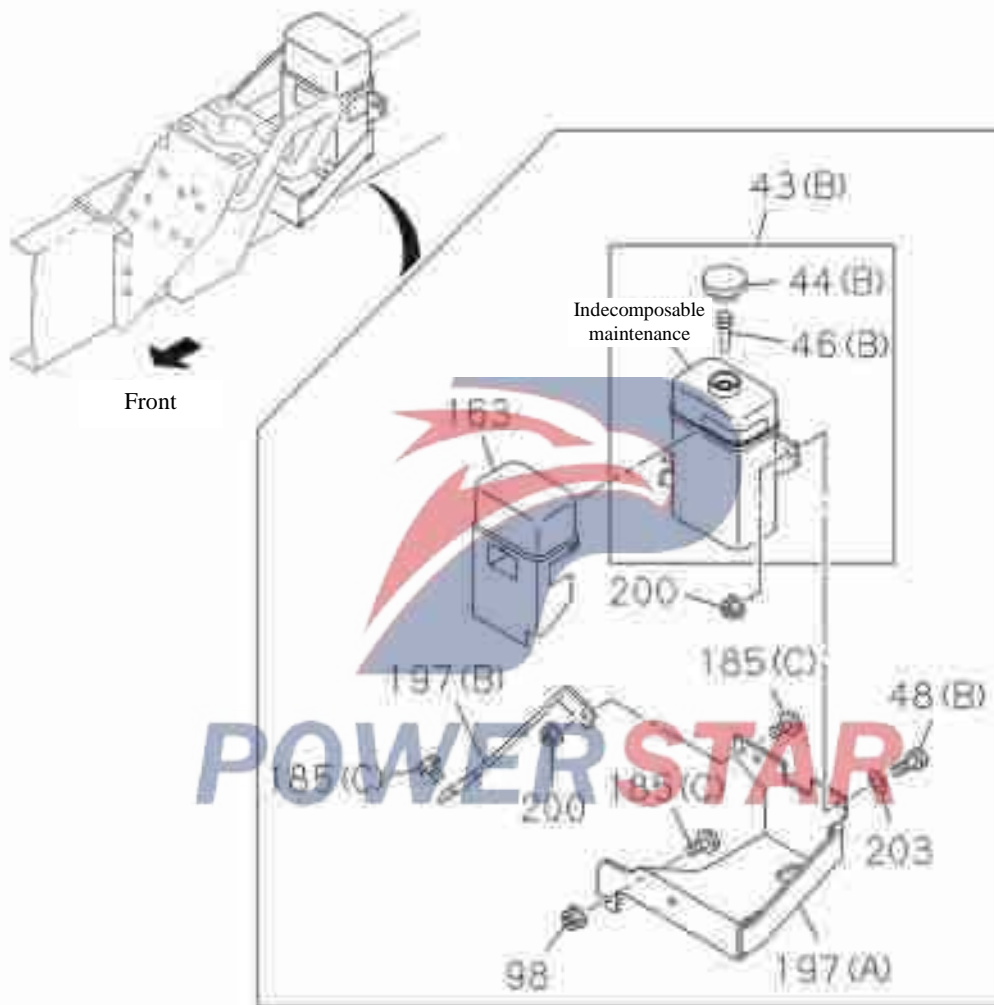


3-10

Brake pedal and control devices

Figure No.

Brake fluid header



Brake pedal and control devices

3-10

Figure No.

N/S	Recommended specification / name of part				Applicable models / applicable status / notes
	Isuzu figure No.	QingLing figure No.	Left/Right	Qty.	
1	Bracket assembly				
	8-98091-563-0			01	A
2	Brake pedal				
	8-98011-432-0			01	A
4	Plug cover				
	8-94238-596-0			02	A
5	Clip				
	8-98029-187-0			01	A
6	Rubber gasket-pedal				
	8-97853-413-2			01	A
9	Lock roll- vacuum booster and brake pedal				
	8-97387-230-0			01	A
10	Twisted spring				
	9-98029-306-0			01	A
16	Switch- brake lamp				
	8-98000-028-0			01	A

3-10

Brake pedal and control devices

Figure No.

N/S	Recommended specification / name of part				
	Isuzu figure No.	QingLing figure No.	Left/Right	Qty.	Applicable models / applicable status / notes
					Single cab
22	Hexagon flange nut				
	0-91380-010-0			01 A	M10
27	Lock shaft				
	8-97866-667-0			01 A	
42	Nut				
	8-94279-050-0	3504121-803		04 A	M8
43	Brake fluid header assembly				
	8-97306-217-0			01 A	Vacuum valve assembly
	8-97387-219-3	3500210-P301		01 A	Brake fluid header (B) (A)
44	Cover- brake fluid header				
	8-94146-153-2			01 A	(B)
	8-98022-268-0			01 A	(A)
46	Filter screen				
	8-97094-732-0			01 A	(B)
	8-98022-269-0			01 A	(A)

Brake pedal and control devices

3-10

Figure No.

N/S	Recommended specification / name of part				Applicable models / applicable status / notes
	Isuzu figure No.	QingLing figure No.	Left/Right	Qty.	
48	----- Flange bolts				
	0-28650-825-0	Q1840825		02	A (B) M18×25
	8-97370-668-0			01	A Combination bolt
49	----- Brake pipe assembly				
	8-98030-658-1			01	A (A) M6×20
	8-98030-659-1			01	A (B)
71	----- Nut				
	8-94279-050-0	3504121-803		04	A M8
80	----- Split pin				
	8-98007-161-0			01	A
89	----- Bracket brake fluid header installation				
	8-98005-493-1	3500221-P301		01	A

3-10

Brake pedal and control devices

Figure No.

N/S	Recommended specification / name of part				Applicable models / applicable status / notes	
	Isuzu figure No.	QingLing figure No.	Left/Right	Qty.	Single cab	
98	Hexagon flange nut					
	0-91180-108-0	Q32008		03	A	M8
131	Pipe clamp					
	8-98031-178-0			04	A	
163	Baffle-brake fluid header					
	8-97164-749-1	3510126-P301		01	A	
185	Flange bolts					
	0-28650-825-0	Q1840825		04	A	(C)
						M8×25
	0-28661-025-0	Q1841025T		02	A	(A)
						M10×25
	8-98033-926-0			02	A	(B)
						M10×22
197	Bracket					
	8-97173-342-2	3510127-P301		01	A	(A)

Brake pedal and control devices

3-10

Figure No.

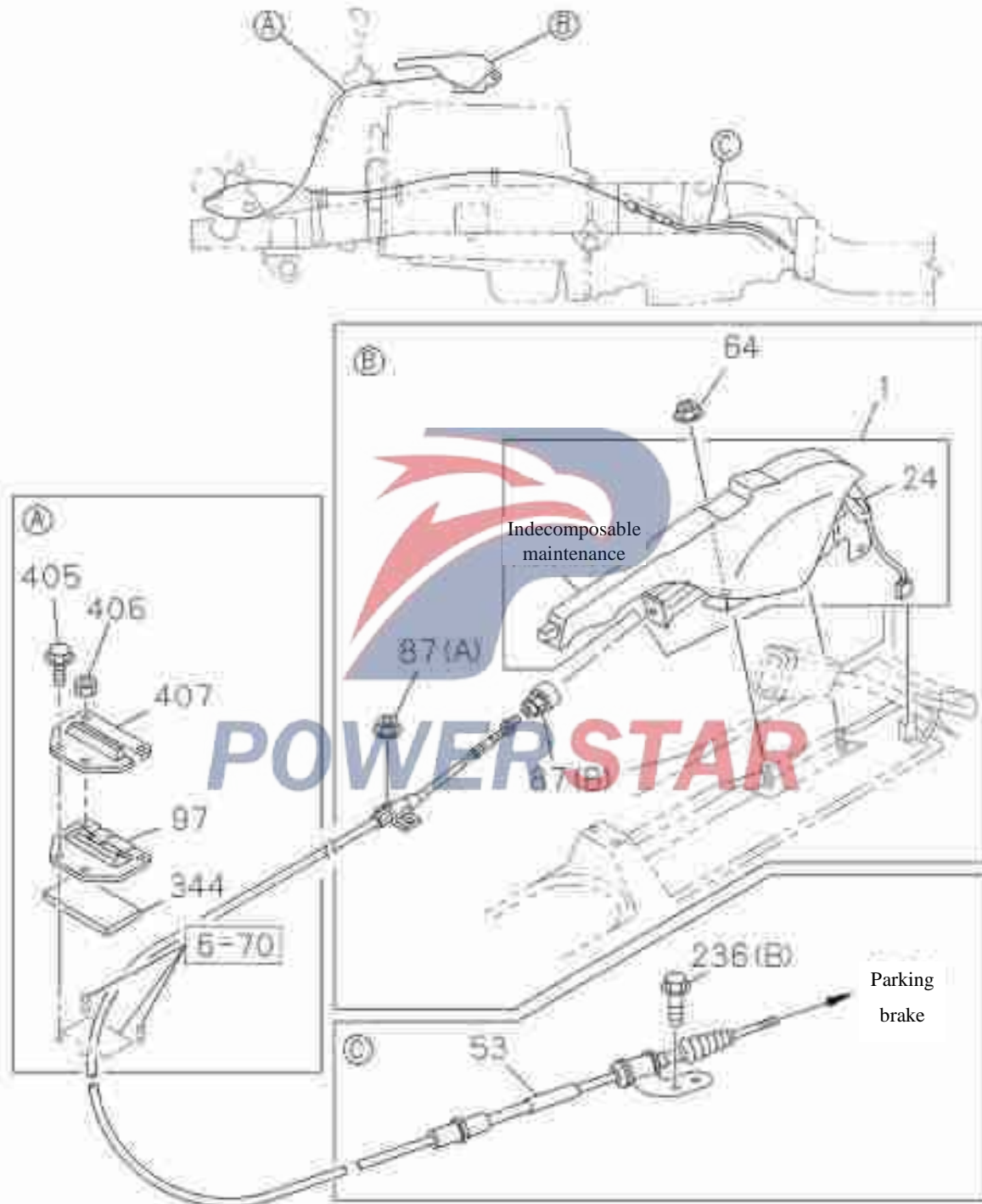
N/S	Recommended specification / name of part				Applicable models / applicable status / notes
	Isuzu figure No.	QingLing figure No.	Left/Right	Qty.	
197	Bracket				
	8-97333-555-1	3510128-P301	01	A	(B)
200	Hexagon flange nut				
	0-91180-108-0	Q32008	02	A	M8
203	Big washer				
	0-91610-708-0	Q40208	02	A	Inner diameter=8.4 Outer diameter=22
322	Hexagon flange nut				
	0-91180-106-0	Q32006	01	A	M6
400	Pedal and mounting bracket assembly				
	8-98003-161-1	3504010-P301	01	A	

3-11

Parking brake control mechanism

Figure No.

Handle and cable

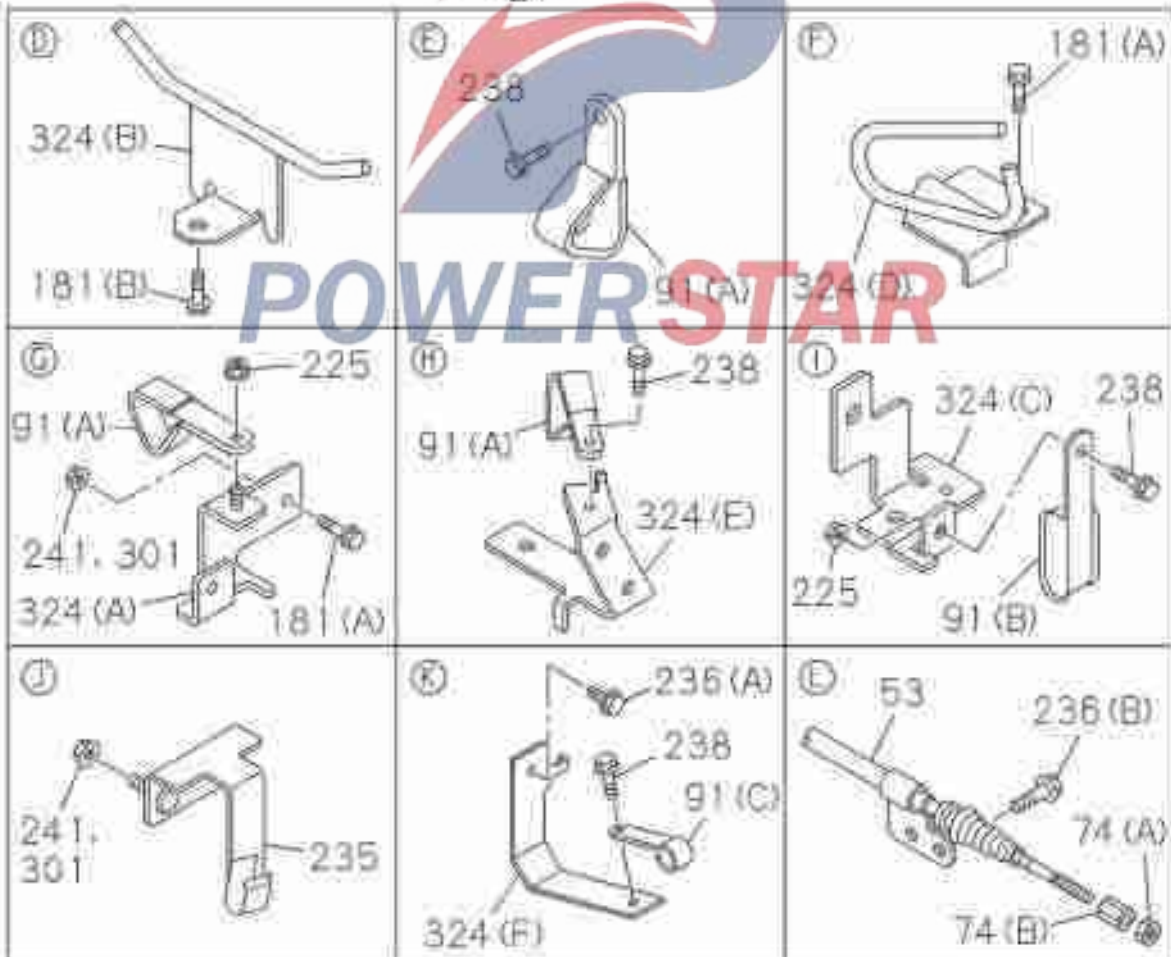
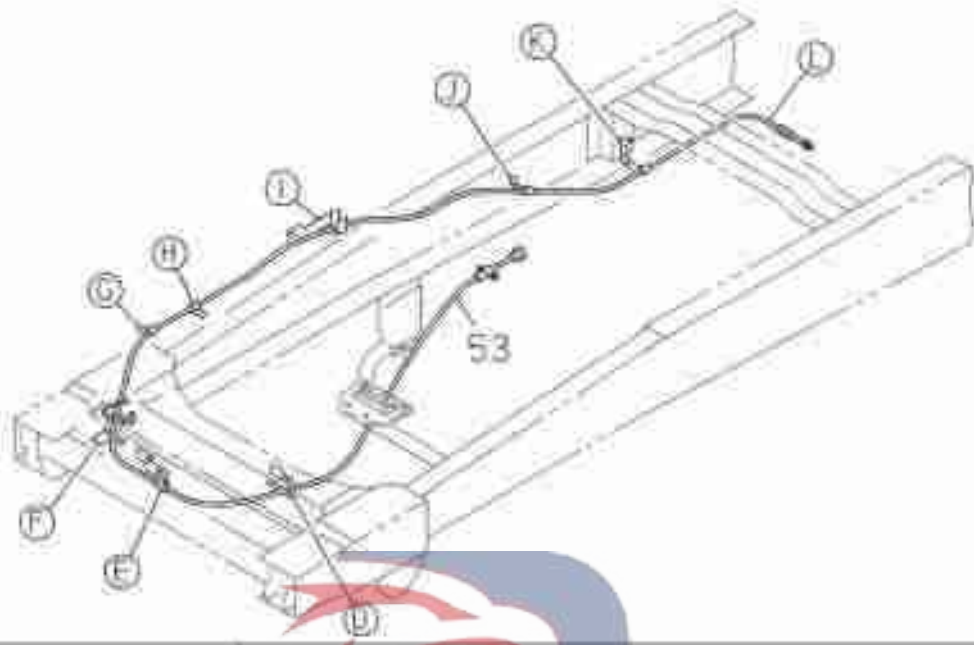


Parking brake control mechanism

3-11

Mounting

Figure No.



3-11

Parking brake control mechanism

Figure No.

S/N	Recommended specification / name of part				
	Isuzu figure No.	QingLing figure No.	Left/Right	Qty.	Applicable models / applicable status / notes
					Single cab
1	----- Parking brake control lever				
	8-97406-006-0			01	A Grey
24	----- Switch assembly- parking brake				
	8-97995-828-1			01	A
53	----- Cable assembly- parking brake				
	8-98081-716-1	3508010-P301		01	A
64	----- Nut				
	0-91380-008-0			02	A M8
74	----- Nut				
	0-91110-508-0	Q340B08		01	A (A) M8
	9-46259-016-0	3508021-P301		01	A (B) M8
87	----- Hexagon flange nut				
	0-91180-108-0	Q32008		02	A (A) M8
	8-98034-313-1	3508053-P301		01	A Nut (B) M8

Parking brake control mechanism

3-11

Figure No.

S/N	Recommended specification / name of part				Applicable models / applicable status / notes
	Isuzu figure No.	QingLing figure No.	Left/Right	Qty.	
91	Clip				
	0-95235-096-0	3508071-P301		01	A (C) Inner diameter=11 Length =60
	8-98036-333-1	3508024-P301		03	A
	8-98023-697-1	3508026-P301		01	A (A) (B)
97	Joint - parking brake cable				
	8-97091-890-0	3508022-P301		01	A
181	Hexagon flange bolt				
	0-28151-016-0			01	A (B) M10×16
	0-28650-825-0	Q1840825		04	A (A) M8×25
225	Hexagon flange nut				
	0-91180-108-0	Q32008		01	A M8
	0-91180-108-0	Q32008		03	A M8

3-11

Parking brake control mechanism

Figure No.

N/S	Recommended specification / name of part				
	Isuzu figure No.	QingLing figure No.	Left/Right	Qty.	Applicable models / applicable status / notes
					Single cab
235	---- Bracket assembly-cable clip				
	8-98074-995-0	3508040-P301		01	A
236	---- Flange bolts				
	0-28651-025-0	2902142-803		01	A
	0-28651-030-0	Q1841030		02	A
					(A) M10×25
					(B) M10×30
238	---- Flange bolts				
	0-28650-825-0	Q1840825		04	A
					A M8×25
241	---- Hexagon flange nut				
	0-91180-108-0	Q32008		02	A
					M8
301	---- Hexagon flange nut				
	0-91180-108-0	Q32008		02	A
					M8
324	---- Brake-cable clip				
	8-97307-640-0			01	A
					(F)

Parking brake control mechanism

3-11

Figure No.

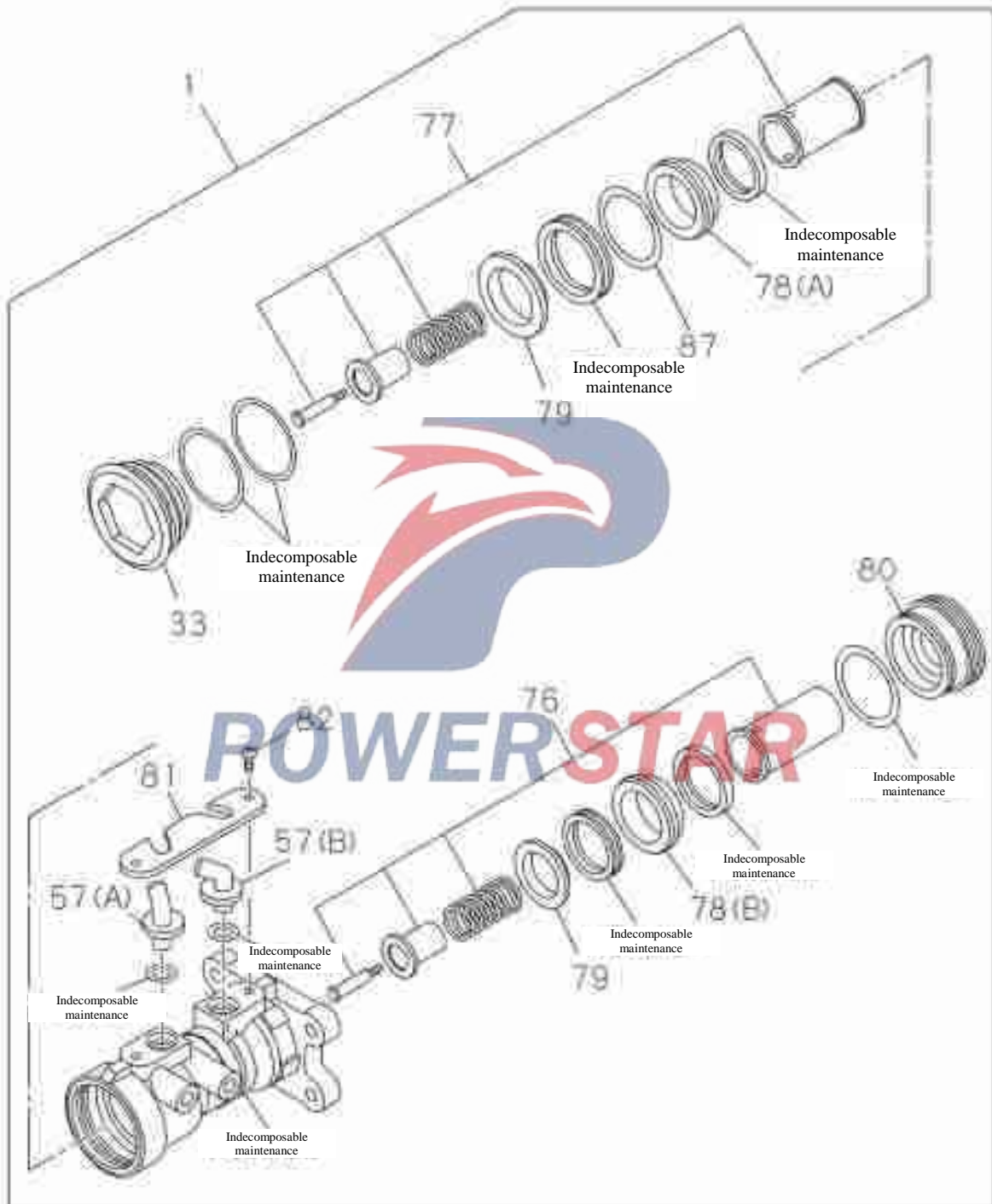
S/N	Recommended specification / name of part			
	Isuzu figure No.	QingLing figure No.	Left/Right	Qty.
				Applicable models / applicable status / notes
				A
				Single cab
324	----- Brake-cable clip			
	8-98034-185-1	3508028-P301	01	A
				(E)
	8-98041-476-0	3508052-P301	01	A
				Front bracket - parking brake cable
				(A)
	8-98061-626-0	3508061-P301	01	A
				Bracket - parking brake
				(B)
	8-98087-330-1		01	A
				(C)
	8-98094-197-0		01	A
				(D)
344	----- Sealing cover sheet			
	8-97096-753-0	3508029-P301	01	A
405	----- Flange bolts			
	0-28450-620-0	Q1840620	02	A
				M6×20
406	----- Hexagon flange nut			
	0-91180-206-0	Q32006T13	02	A
				M6
407	----- Pressure plate-gear shift			
	1-33657-674-0	3508023-P301	01	A

3-30

Brake master pump

Figure No.

Disassembling

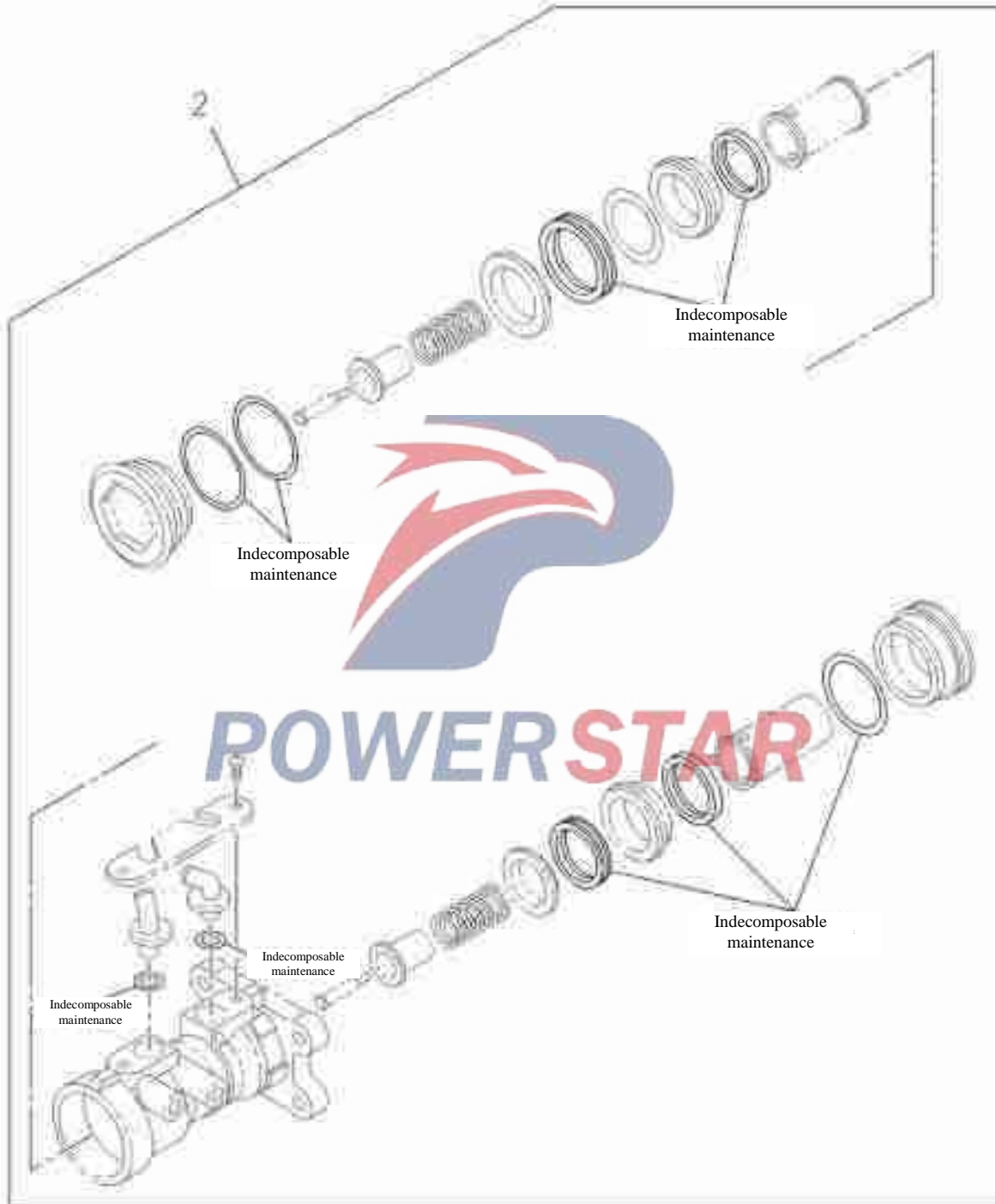


Brake master pump

Repair kit

3-30

Figure No.



3-30

Brake master pump

Figure No.

N/S	Recommended specification / name of part				
	Isuzu figure No.	QingLing figure No.	Left/Right	Qty.	Applicable models / applicable status / notes
					Single cab
1	----- Brake master cylinder				
	8-98032-603-0			01	A
2	----- Repair kit - Brake master pump				
	8-97254-775-0			01	A
33	----- Plug screw-brake master cylinder				
	8-97186-699-0			01	A
57	----- Joint				
	8-97130-441-0			01	A (A)
	8-97130-442-0			01	A (B)
76	----- Piston group- first level				
	8-97224-641-0			01	A
77	----- Piston group-second level				
	8-97224-640-0			01	A
78	----- Bushing- brake master cylinder				
	8-97170-695-0			01	A (A)
	8-97207-685-0			01	A (B)

Brake master pump

3-30

Figure No.

N/S	Recommended specification / name of part			
	Isuzu figure No.	QingLing figure No.	Left/Right	Qty.
				Applicable models / applicable status / notes
				Single cab
79	-----	Bushing		
	8-97170-698-0			02 A
80	-----	Blanking cap-brake master cylinder		
	8-97170-692-0			01 A
81	-----	Liner plate-joint		
	8-97315-168-0			01 A
82	-----	Screw - liner		
	8-97130-446-0			02 A
87	-----	Gasket		
	8-97170-696-0			01 A

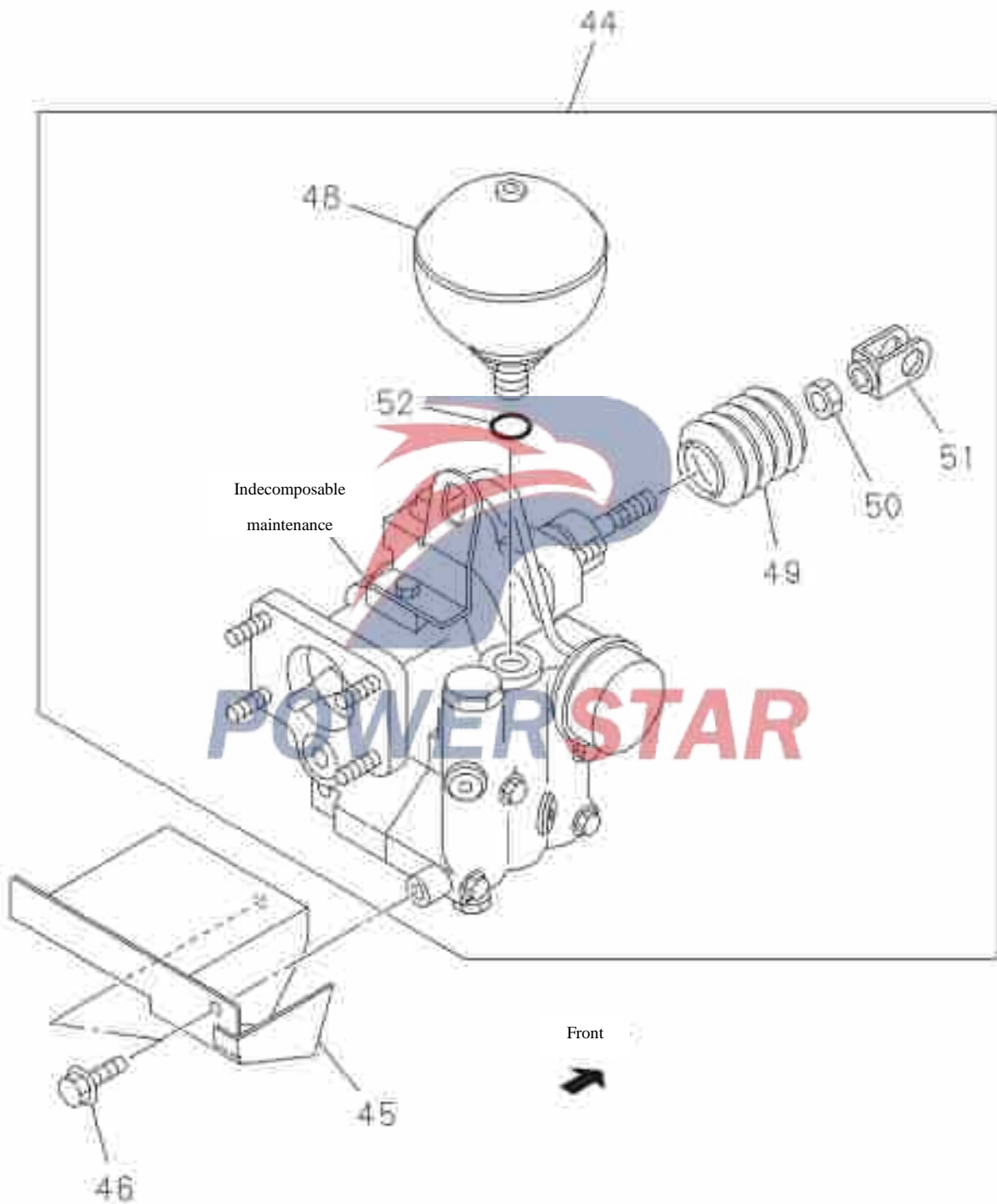


POWERSTAR

3-31

Brake booster

Figure No.



Brake booster

3-31

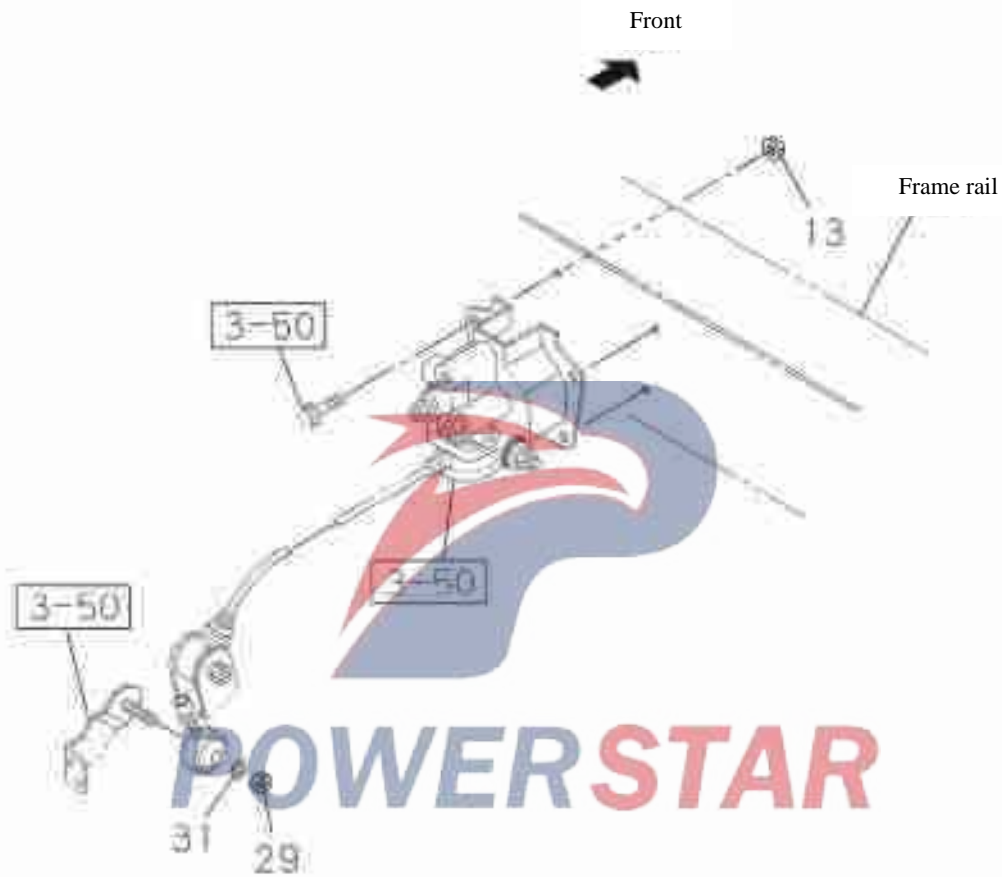
Figure No.

N/S	Recommended specification / name of part				
	Isuzu figure No.	QingLing figure No.	Left/Right	Qty.	Applicable models / applicable status / notes
					Single cab
44	----- Vacuum chamber assembly				
	8-98031-414-0			01	A
45	----- Protecting mask				
	8-98031-415-1			01	A
46	----- Hexagon flange bolt				
	0-28050-610-0	Q1840610		02	A M6×10
48	----- Accumulator				
	8-98038-346-0			01	A
49	----- Protective jacket				
	8-97191-043-0			01	A
50	----- Nut				
	8-98038-349-0			01	A
51	----- U-fork				
	8-98038-347-0			01	A
52	----- Sealing pad - vacuum tank				
	8-97191-038-0			01	A

3-45

Load-sensing proportion valve installation

Figure No.



Load-sensing proportion valve installation

3-45

Figure No.

N/S	Recommended specification / name of part				Applicable models / applicable status / notes
	Isuzu figure No.	QingLing figure No.	Left/Right	Qty.	
13	Hexagon flange nut				Single cab M8
	0-91180-108-0	Q32008		04 A	
29	Hexagon flange nut				M8
	0-91180-108-0	Q32008		01 A	
31	Big washer				Inner diameter=8.4 Outer diameter=22
	0-91610-708-0	Q40208		01 A	

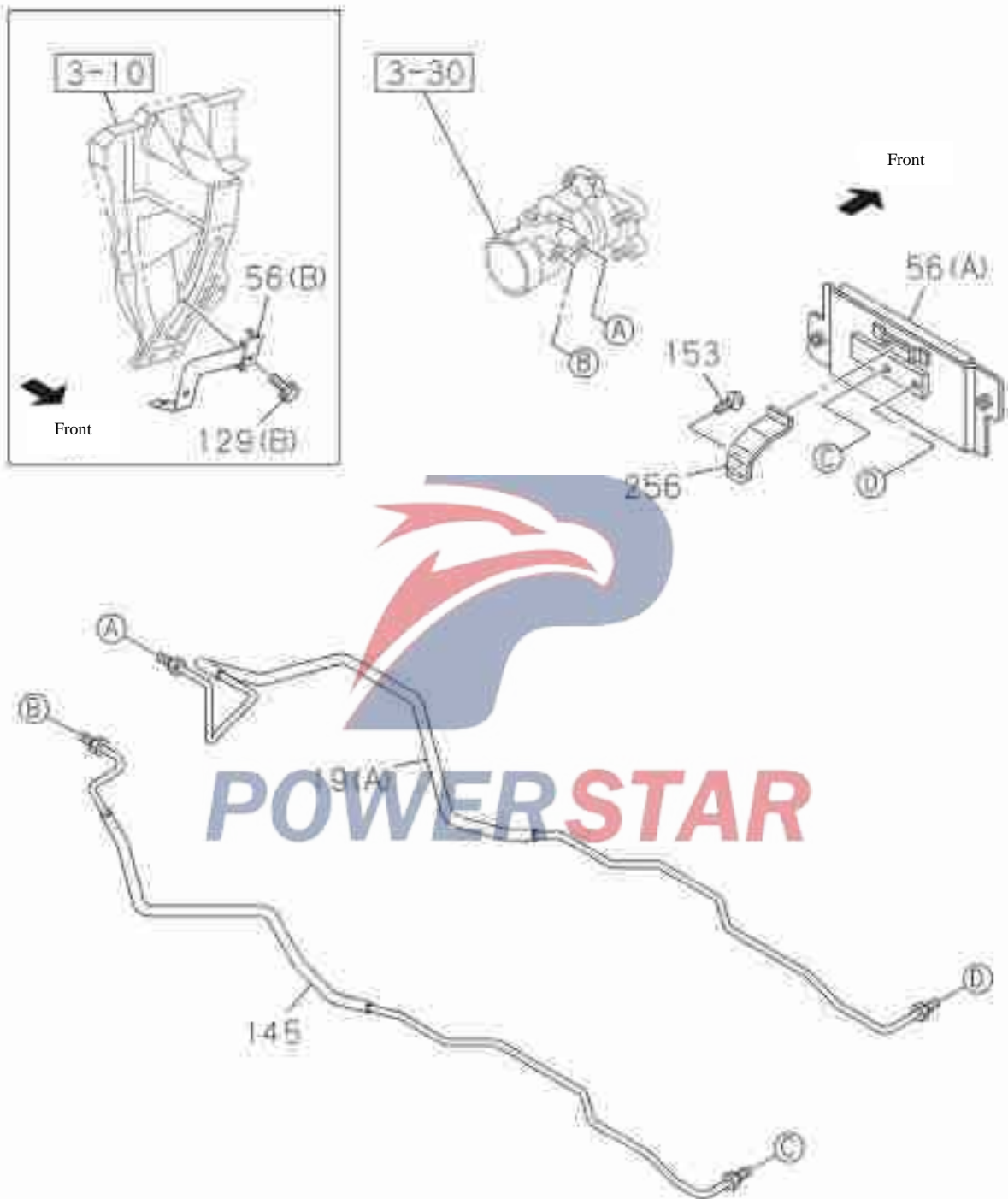
POWERSTAR

3-50

Brake pipelines

Figure No.

NO.1

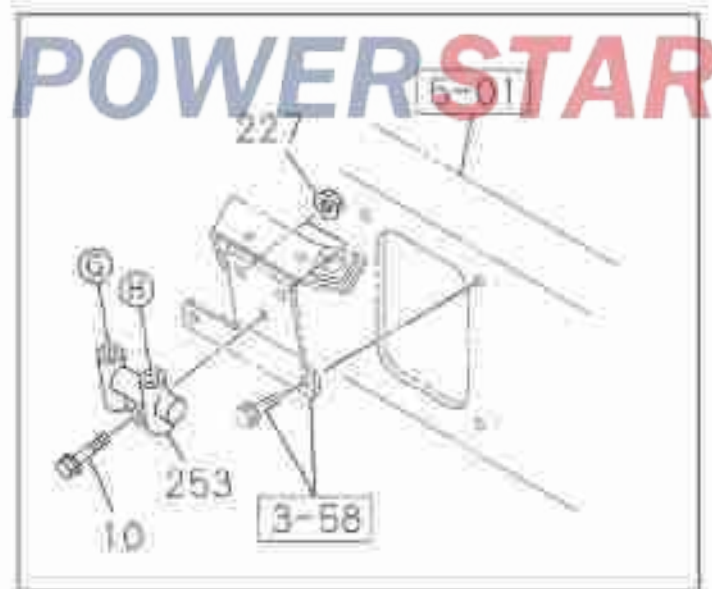
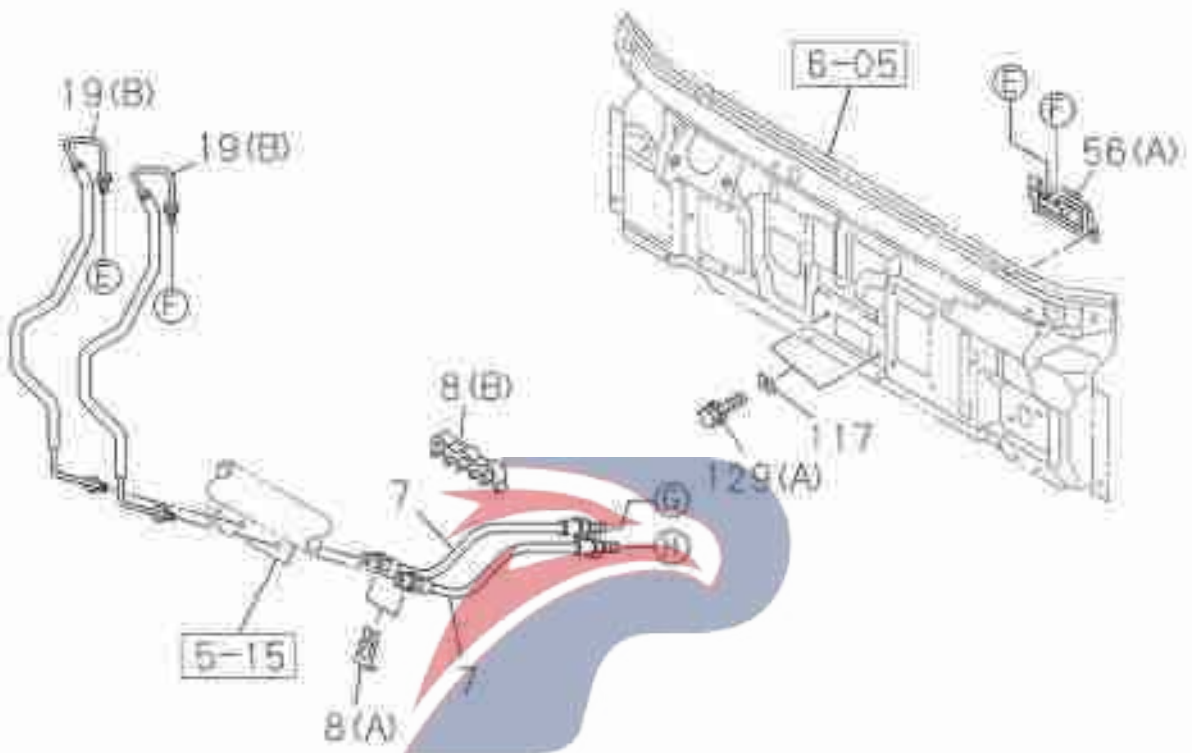


Brake pipelines

NO.2

3-50

Figure No.

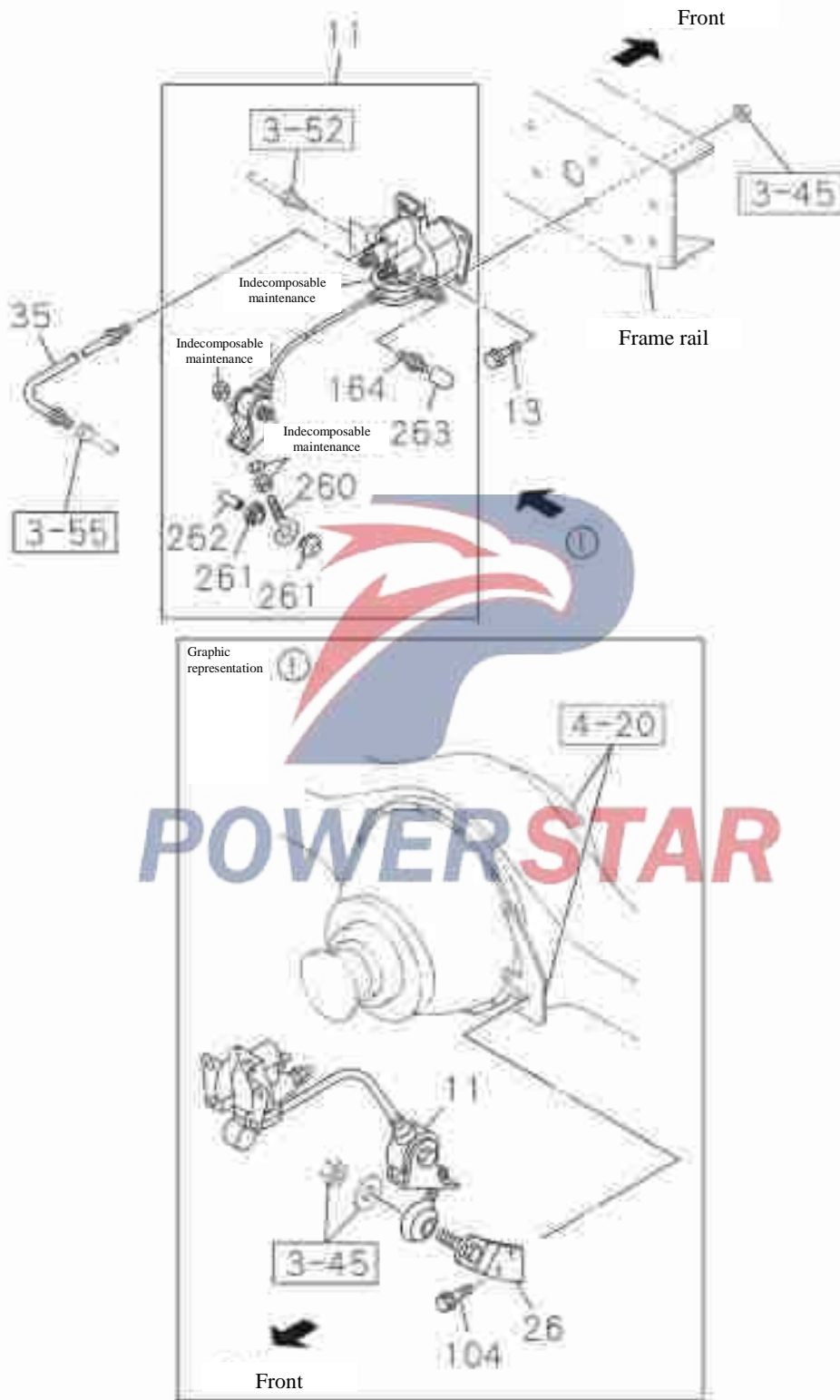


3-50

Brake pipelines

Figure No.

NO.3

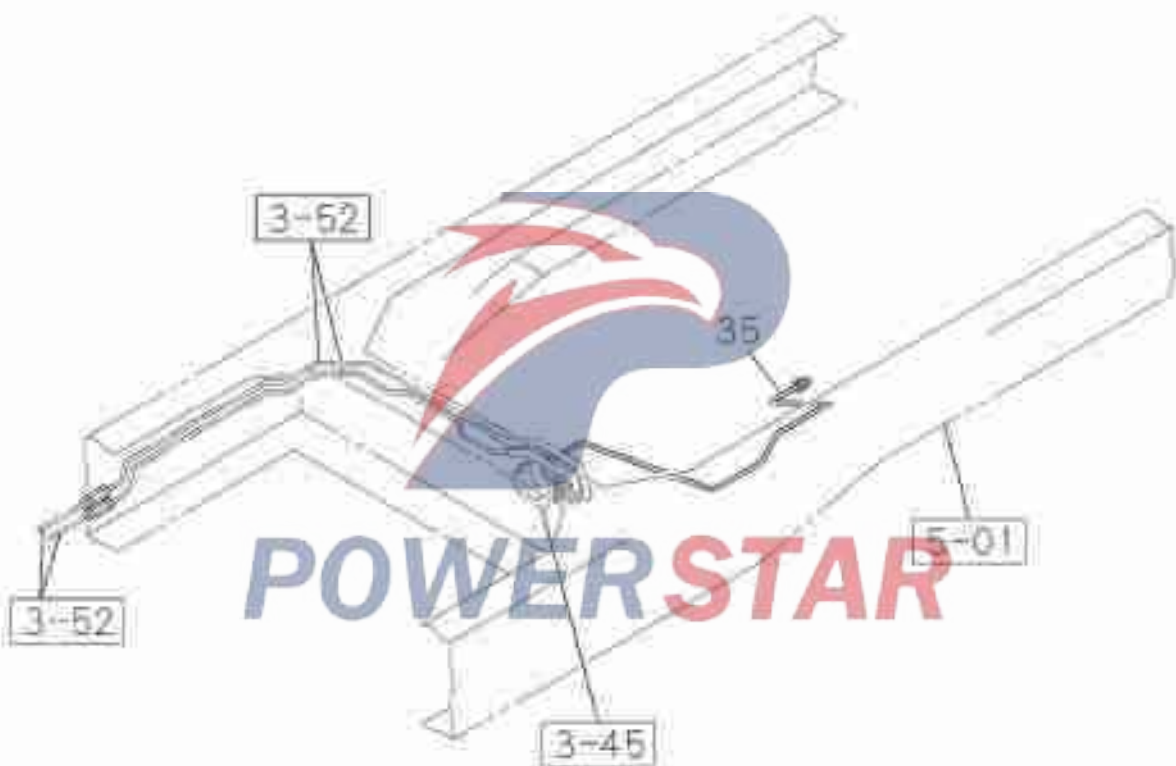


Brake pipelines

NO.4

3-50

Figure No.

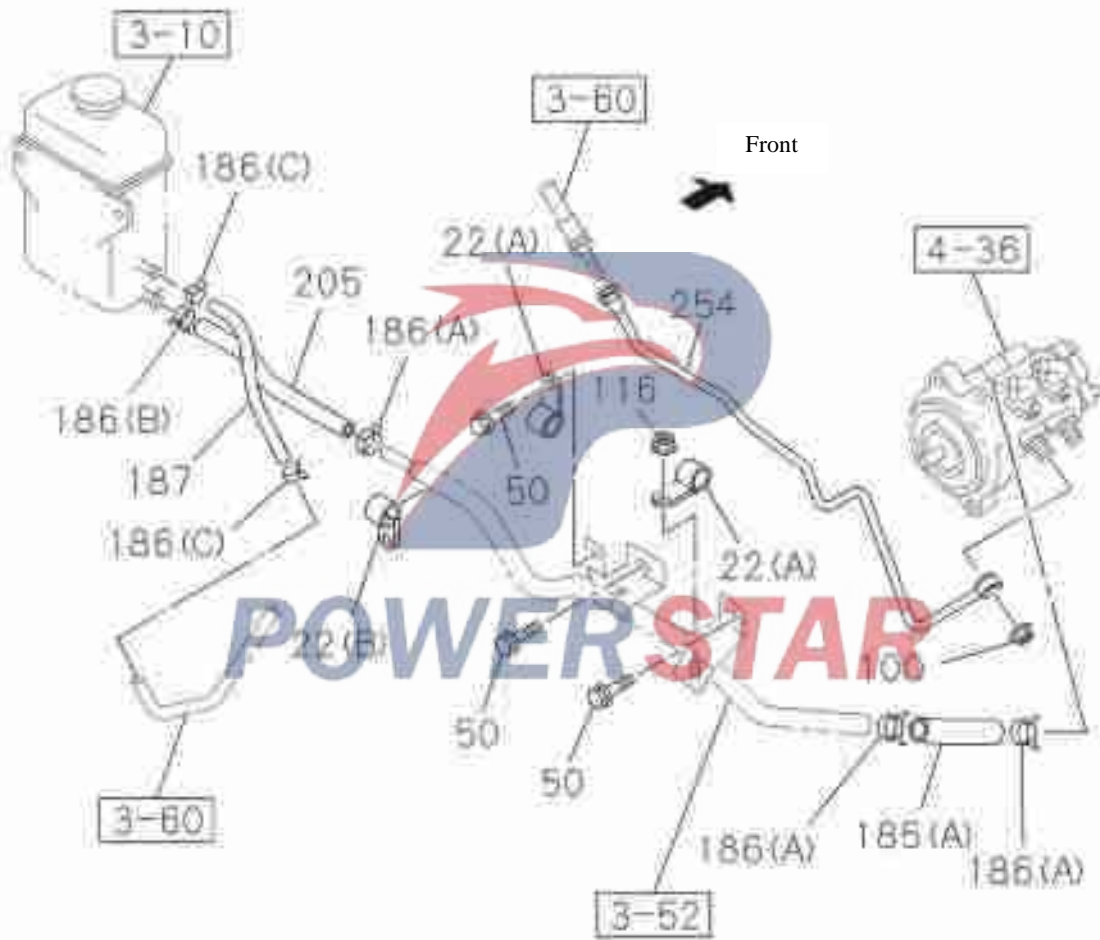


3-50

Brake pipelines

Figure No.

NO.5

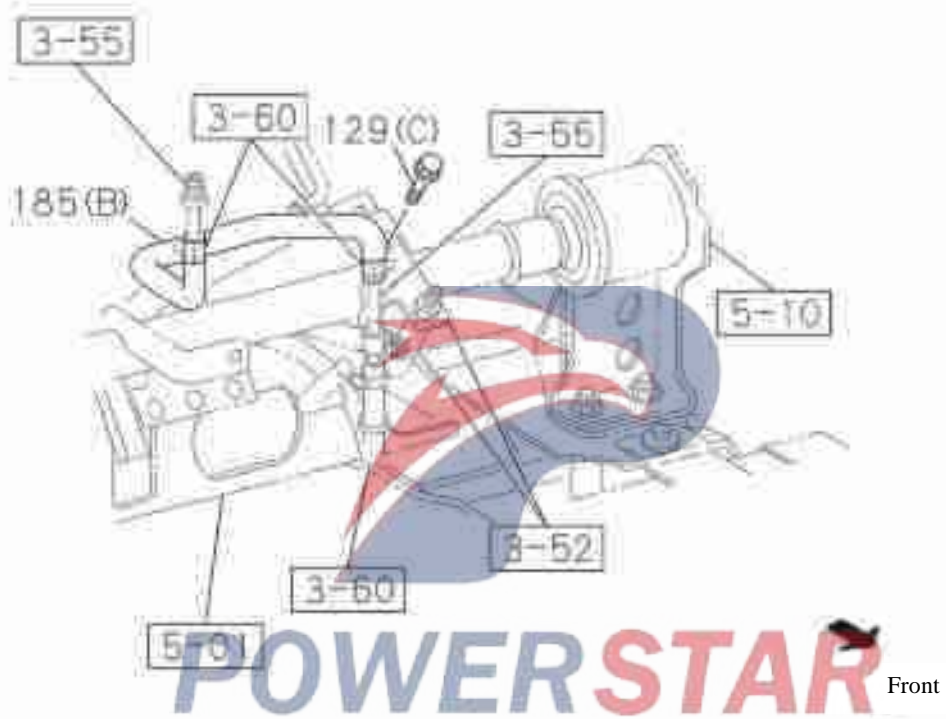


Brake pipelines

NO.6

3-50

Figure No.

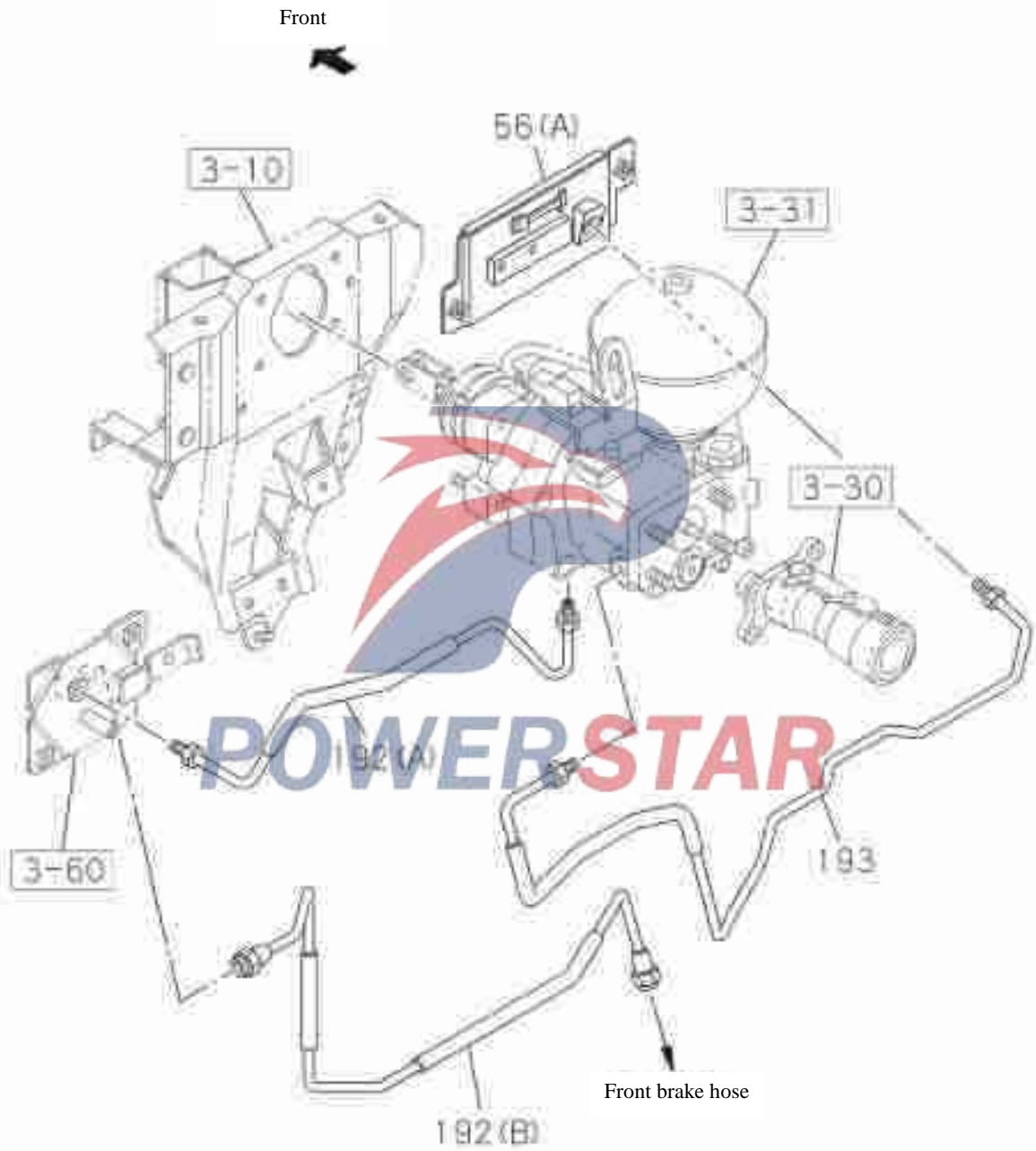


3-50

Brake pipelines

Figure No.

NO.7



Brake pipelines

3-50

Figure No.

N/S	Recommended specification / name of part				Applicable models / applicable status / notes
	Isuzu figure No.	QingLing figure No.	Left/Right	Qty.	
7	Front brake hose assembly				
	8-98073-907-0			02	A
8	Three-pipe clamp				
	8-97076-471-0			01	A
	8-97365-304-0			02	A
10	Flange bolts				
	0-28650-640-0	Q1840640		04	A
11	Load sensing proportioning valve				
	8-94427-224-2			01	A
13	Bolt-fastening adjusting bolt				
	0-28050-816-0	Q1840816		04	A
					M8×16 Tape reel
19	Tube assembly				
	8-98055-945-2			01	A
					(A)
	8-98080-579-0	35060110-P301		02	A
					Brake hose
					(B)

3-50

Brake pipelines

Figure No.

N/S	Recommended specification / name of part				
	Isuzu figure No.	QingLing figure No.	Left/Right	Qty.	Applicable models / applicable status / notes
					Single cab
22	--- Pipe clamp				
	8-98082-034-0			02	A (A) Inner diameter=10 Length =16.5
	8-98082-035-0			01	A (B) Inner diameter=17 Length =21
26	--- Bracket				
	8-98029-821-0	3500118-P301		01	A
35	--- Brake oil pipe assembly -LPVS to rear axle				
	8-98057-271-0	3500140-P301		01	A
50	--- Bolt				
	0-28050-816-0	Q1840816		03	A M8*16 Tape reel
56	--- Bracket assembly				
	8-98034-288-3	3500250-P301		01	A (A)
	8-98034-299-3	3500270-P301		01	A Connection board (B)
100	--- Nut				
	8-97358-958-0	3510115-P301		01	A

Brake pipelines

3-50

Figure No.

S/N	Recommended specification / name of part				
	Isuzu figure No.	QingLing figure No.	Left/Right	Qty.	Applicable models / applicable status / notes
					Single cab
104	Bolt				
	0-28050-816-0	Q1840816		02	A M8×16 Tape reel
116	Hexagon flange nut				
	0-91180-108-0	Q32008		02	A (B)
117	Water seal-heating device				
	8-97856-616-0	3510231-P301		02	A
129	Flange bolts				
	0-28050-612-0	Q1840612		01	A (C)
					M6×12
	0-28650-616-0	Q1840616		01	A (B)
				M6×16	
	8-98081-030-0			02	A (A)
					M6×20
145	Tube assembly				
	8-98070-483-0			01	A

3-50

Brake pipelines

Figure No.

N/S	Recommended specification / name of part				
	Isuzu figure No.	QingLing figure No.	Left/Right	Qty.	Applicable models / applicable status / notes
					Single cab
153	----- Eye screw				
	0-72180-512-0			01	A M5*12
164	----- Bleeder screw				
	8-97093-663-0			01	A
185	----- Vacuum hose				
	8-97330-513-0	3510125-P301		01	A (A)
	8-98082-497-0	3510129-P301		01	A (B)
186	----- Spring tube clamp- rubber hose				
	8-94238-568-0	1104271-44		02	A (C) Inner diameter=16
	8-94242-034-0	1109346-44		01	A Pipe clamp (A) Inner diameter=21
	8-94242-034-0	1109346-44		02	A Pipe clamp (A)
	8-94382-401-0	8101166-44		01	A Inner diameter=21 Spring pipe clamp (B)

P328 Inner diameter=22

Brake pipelines

3-50

Figure No.

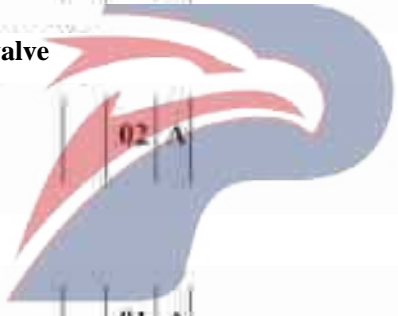
N/S	Recommended specification / name of part				
	Isuzu figure No.	QingLing figure No.	Left/Right	Qty.	Applicable models / applicable status / notes
					Single cab
187	Hose				
	0-19809-300-0			01	A Length=220
192	Hose assembly-vacuum tank outlet				
	8-98033-960-0	3510260-P301		01	A (A)
	8-98033-961-0	3510270-P301		01	A (B)
193	Hose assembly-vacuum tank inlet				
	8-98056-605-2	3510250-P301		01	A
205	Hose				
	0-09814-300-0			01	A Length=220
227	Hexagon flange nut				
	0-91180-108-0	Q32008		02	A M8
253	Six-way connector				
	8-97120-033-2			01	A
254	Vacuum tube				
	8-98036-161-0	3510114-P301		01	A

3-50

Brake pipelines

Figure No.

N/S	Recommended specification / name of part				
	Isuzu figure No.	QingLing figure No.	Left/Right	Qty.	Applicable models / applicable status / notes
					Single cab
256	Bracket assembly				
	8-98039-683-1	3500280-P301		01	A
260	Screw hook - LSPV valve				
	8-97173-366-0			01	A
261	Sleeve - LSPV valve				
	8-97145-631-0			02	A
262	Pin				
	8-97139-186-0			01	A
263	Cap-bleeder screw				
	8-97093-662-0			01	A



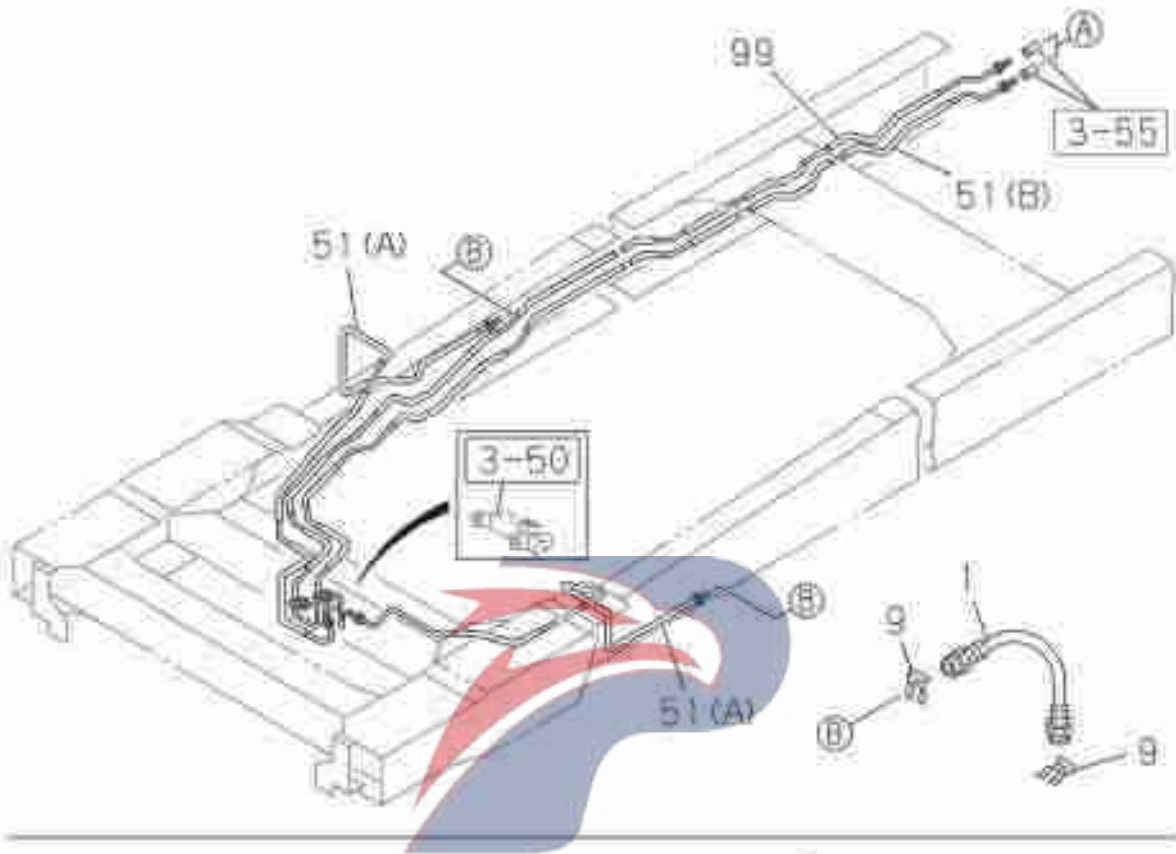
POWERSTAR

Front brake pipelines

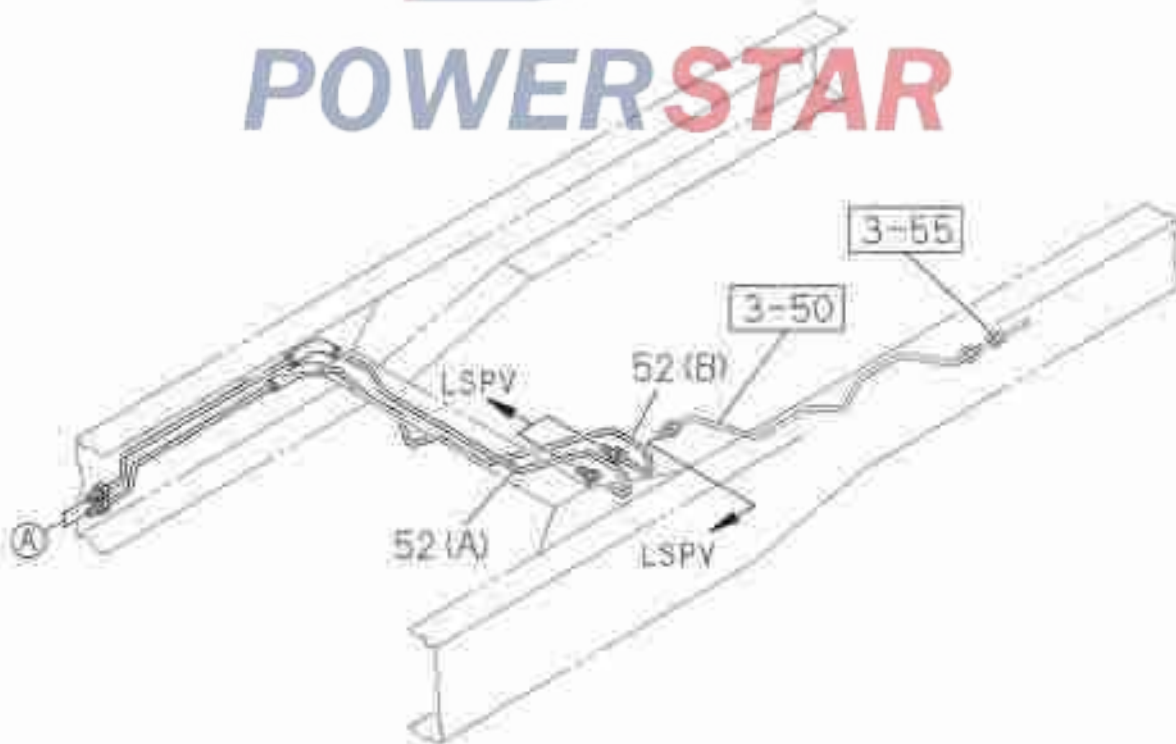
NO.1

3-52

Figure No.



POWERSTAR

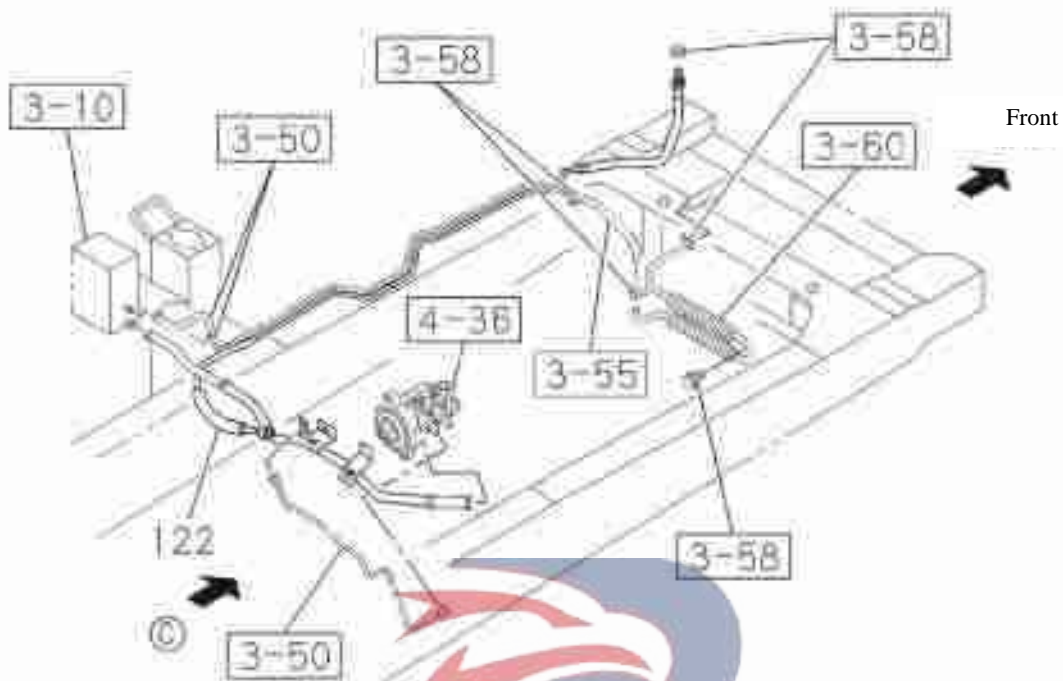


3-52

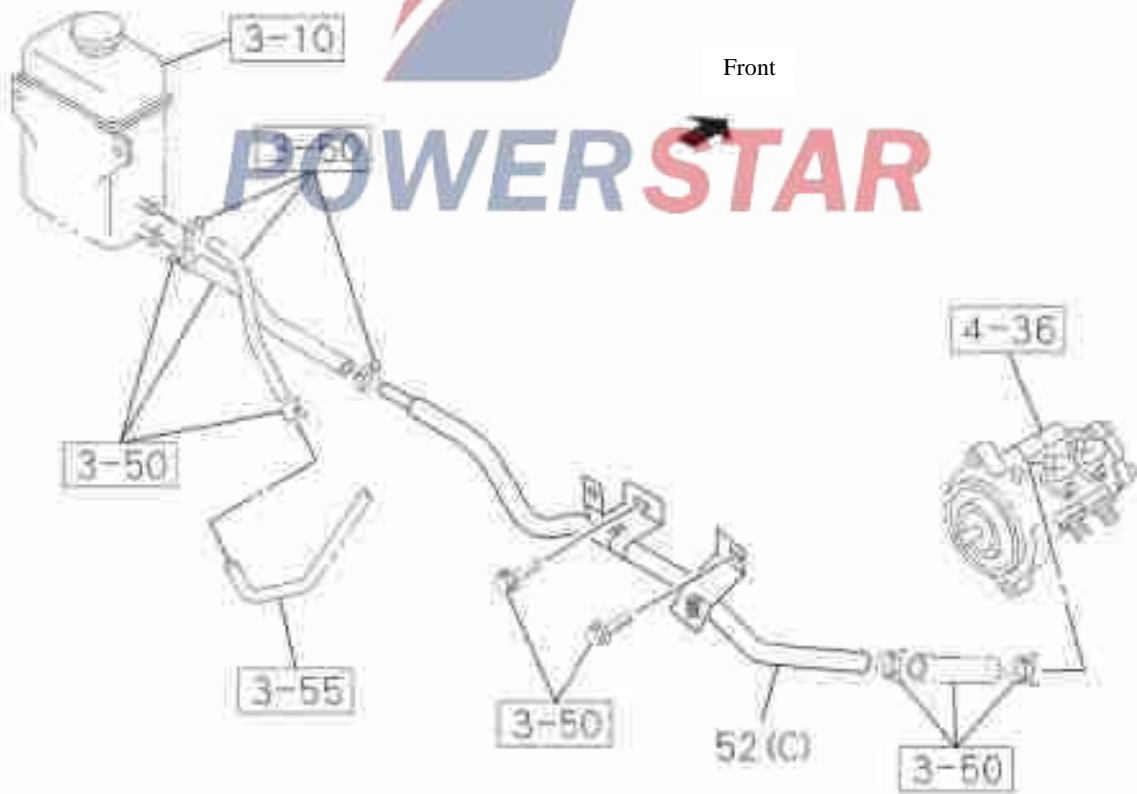
Front brake pipelines

Figure No.

NO.2



Graphic representation ©

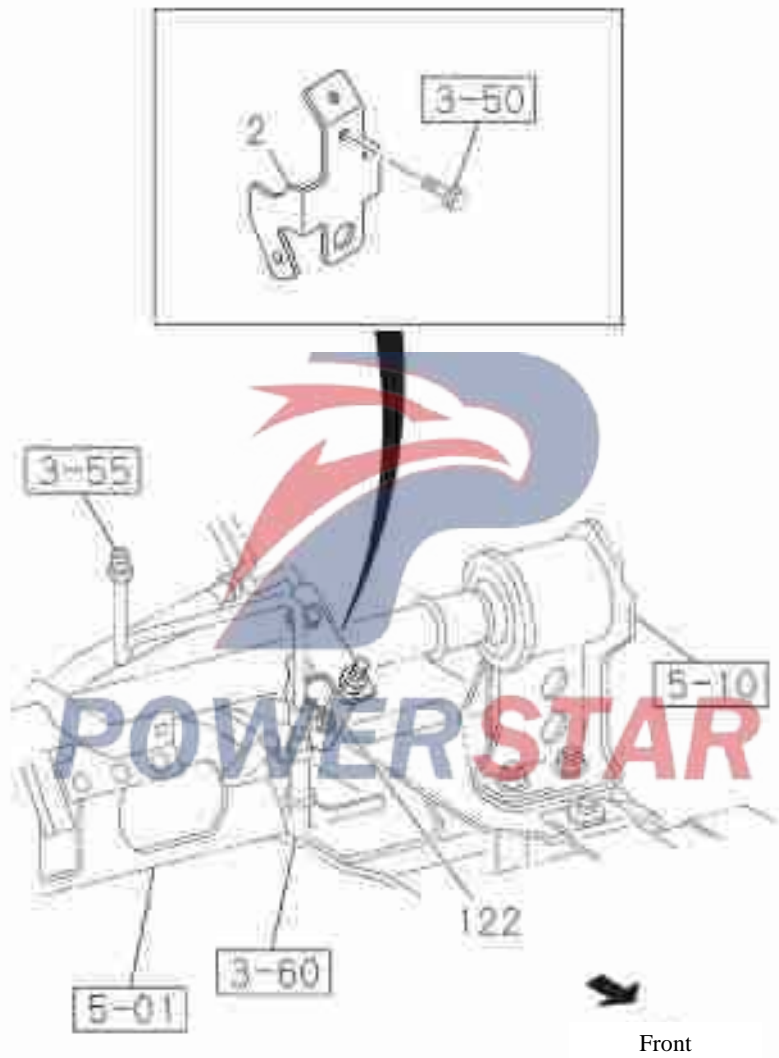


Front brake pipelines

NO.3

3-52

Figure No.



3-52

Front brake pipelines

Figure No.

S/N	Recommended specification / name of part				Applicable models / applicable status / notes	
	Isuzu figure No.	QingLing figure No.	Left/Right	Qty.	Single cab	
1	----- Brake hose assembly					
	8-98080-168-0			02	A	
2	----- Bracket					
	8-98082-323-0			01	A	
9	----- Flexible clip					
	8-97360-054-0			02	A	
51	----- Brake oil pipe assembly					
	8-98057-260-0	3506020-P301		01	A	(B)
						Five-way to six-way
	8-98065-765-0	3506040-P301	Right	01	A	(A)
						Five-way to six-way
	8-98065-766-0	3506030-P301	Left	01	A	(A)
						Five-way to six-way
52	----- Brake oil pipe assembly -front to rear					
	8-98073-444-0	3506050-P301		01	A	Only for wheelbase 4475mm models
						(A)
						Two-way to front section of LSPV valve

Front brake pipelines

3-52

Figure No.

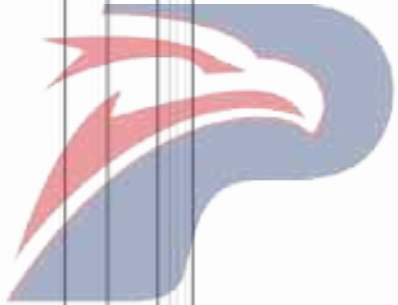
N/S	Recommended specification / name of part				Applicable models / applicable status / notes	
	Isuzu figure No.	QingLing figure No.	Left/Right	Qty.		
						Single cab
52	----- Brake oil pipe assembly -front to rear					
	8-98073-445-0	3506110-P301		01	A	Only for wheelbase 4475mm models (B) Brake oil pipe assembly-two-way to rear section of LSPV valve
	8-98057-266-0	3506090-P304		01	A	Only for wheelbase 3815mm models (B) Brake oil pipe assembly-two-way to rear section of LSPV valve
	8-98057-269-0	3506050-P304		01	A	Only for wheelbase 3815mm models (A) Two-way to front section of LSPV valve
	8-98057-267-0	3506090-P303		01	A	Only for wheelbase 4175mm models (B) Brake oil pipe assembly-two-way to rear section of LSPV valve
	8-98057-270-0	3506050-P303		01	A	Only for wheelbase 4175mm models (B) Two-way to front section of LSPV valve
		3506050-P302		01	A	Only for wheelbase 5200mm models (A) Two-way to front section of LSPV valve
		3506090-P302		01	A	Only for wheelbase 5200mm models (B) Brake oil pipe assembly-two-way to rear section of LSPV valve
	8-98036-162-0	3510113-P301		01	A	Vacuum tube (C)

3-52

Front brake pipelines

Figure No.

N/S	Recommended specification / name of part				Applicable models / applicable status / notes
	Isuzu figure No.	QingLing figure No.	Left/Right	Qty.	
99	----- Brake hose assembly				Single cab After five/ six-way to two-way
	8-98057-259-0	3506080-P301		01 A	
122	----- Brake hose				
	8-98080-579-0	3506010-P301		01 A	



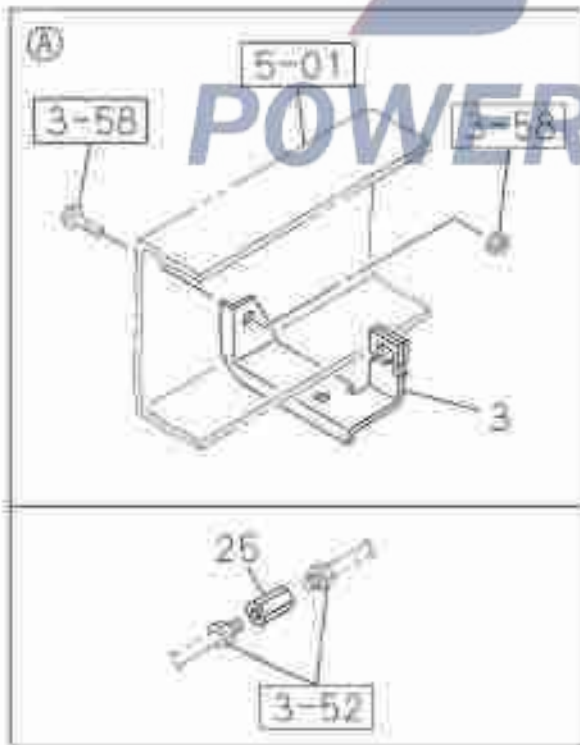
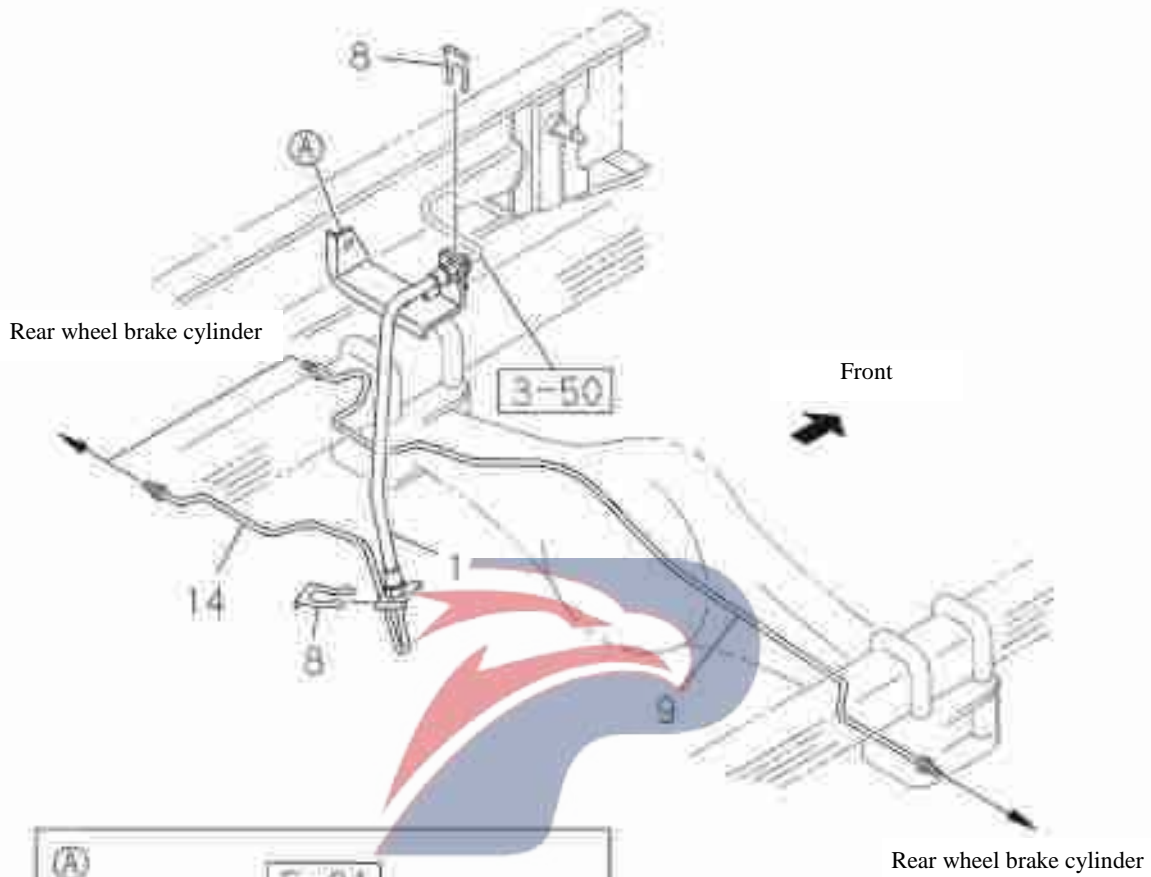
POWERSTAR

Rear brake pipelines

NO.1

3-55

Figure No.

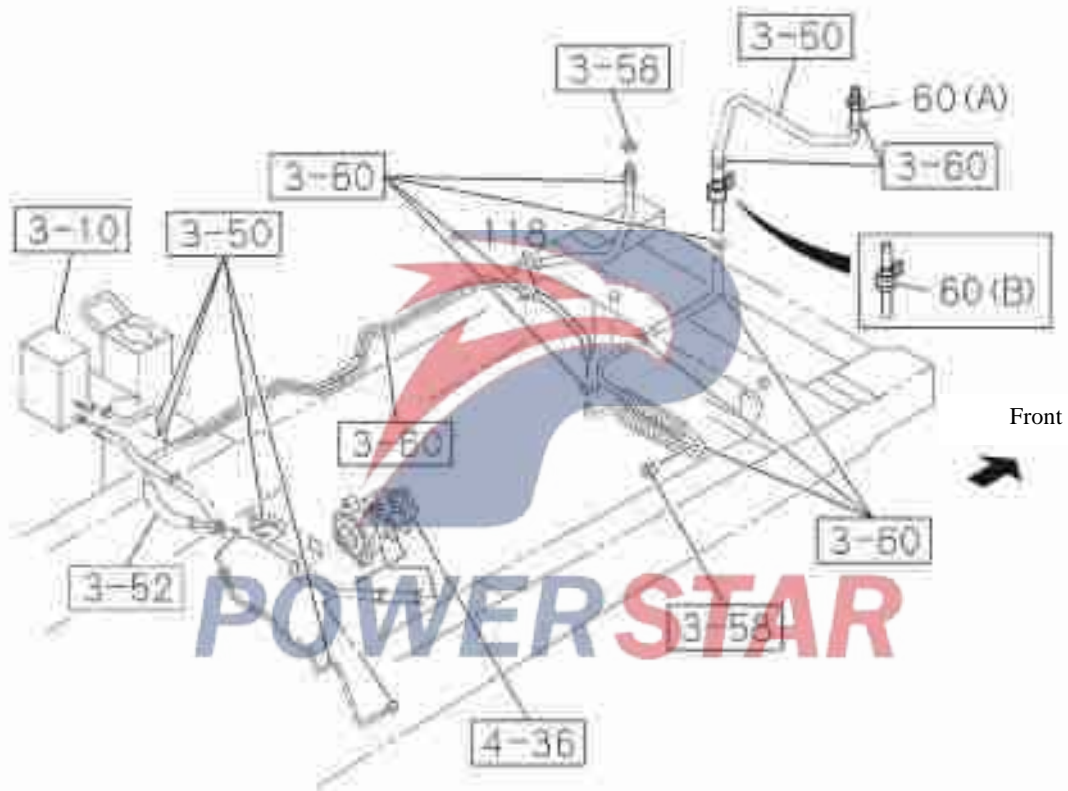


3-55

Rear brake pipelines

Figure No.

NO.2



Rear brake pipelines

3-55

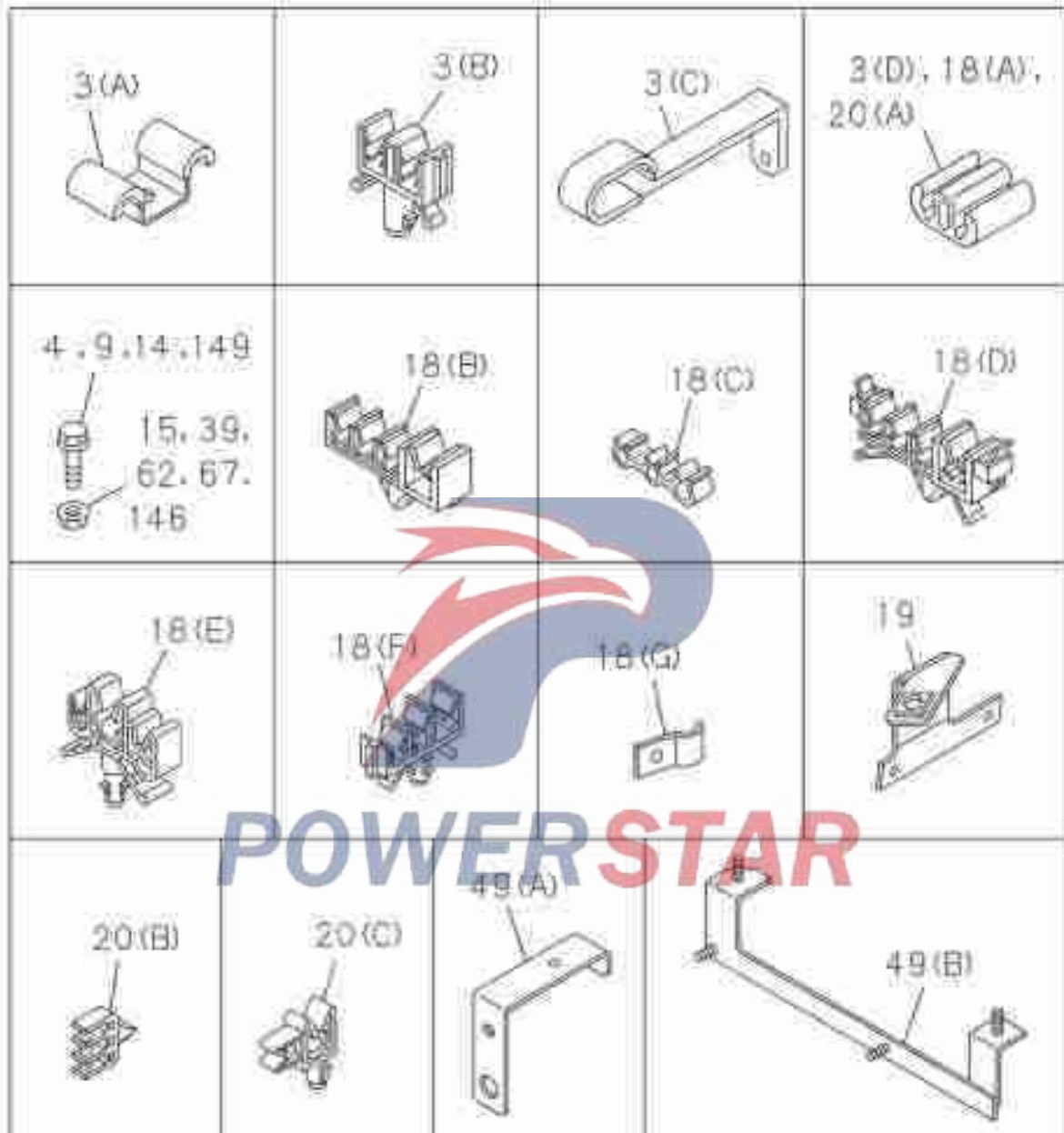
Figure No.

S/N	Recommended specification / name of part				
	Isuzu figure No.	QingLing figure No.	Left/Right	Qty.	Applicable models / applicable status / notes
					Single cab
1	--- Rear brake hose assembly				
	8-98073-908-0			01	A
3	--- Bracket (LH)				
	8-97205-714-1	3500114-P301	Left	01	A
8	--- Flexible clip				
	8-97360-054-0			02	A
9	--- Rear brake oil pipe assembly				
	8-98026-057-0	3506120-P301		01	A
14	--- Rear brake oil pipe assembly				
	8-97359-748-0	3506130-P301		01	A
25	--- Two way fitting				
	0-92107-005-0			02	A
					M10
60	--- Vacuum tube assembly				
	8-98080-549-0	3510310-P301		01	A
					(A)
	8-98080-551-0	3510320-P301		01	A
					(B)
118	--- Brake hose				
	8-97181-217-2			01	A

3-58

Fixed devices for brake pipelines

Figure No.



Fixed devices for brake pipelines

3-58

Figure No.

N/S	Recommended specification / name of part				Applicable models / applicable status / notes
	Isuzu figure No.	QingLing figure No.	Left/Right	Qty.	
3	----- Pipe clamp				
	1-09700-072-0			01	A (A) Outer diameter =13&13 Length=16&16
	1-09701-101-0			01	A (C) Outer diameter=14×2 Height = 30 Length = 25
	8-94252-455-2	3406039-44		03	A (D) Pipe clamps - steering gear oil intake pipes and oil drain pipes
	8-97018-546-0	3506724-803		01	A (B) Inner diameter=10×2 Height = 22 Spring pipe clamp
4	----- Flange bolts				Inner diameter=10×2 Height = 37.5
	0-28650-825-0	Q1840825		02	A M8×25
	0-28651-025-0	2902142-803		01	A M10×25
9	----- Flange bolts				
	0-28650-825-0	Q1840825		01	A M8×25
14	----- Flange bolts				
	0-28650-825-0	Q1840825		02	A M8×25

3-58

Fixed devices for brake pipelines

Figure No.

N/S	Recommended specification / name of part				Applicable models / applicable status / notes	
	Isuzu figure No.	QingLing figure No.	Left/Right	Qty.	Single cab	
15	Hexagon flange nut					
	0-91180-108-0	Q32008		02	A	M8
18	Single-pipe clamp					
	8-97326-158-1	3506315-801	Right	05	A	(D) Inner diameter=10&4.76×3
	8-97326-158-1	3506315-801	Right	06	A	(D) Inner diameter=10&4.76×3
	8-97326-158-1	3506315-801		07	A	(D) Inner diameter=10&4.76×3
	1-09700-372-0			02	A	Pipe clamp (G) B=18 Length=20
	8-94146-043-0	3506216-46		01	A	Pipe clip-brake hose (C) Inner diameter=6.4&4.8
	8-94389-060-0		Right	01	A	Pipe clamp (A) Inner diameter=4.8×2
	8-97064-484-1			03	A	Pipe clamp (F) Inner diameter=10&6.4&4.8

Fixed devices for brake pipelines

3-58

Figure No.

N/S	Recommended specification / name of part				Applicable models / applicable status / notes	
	Isuzu figure No.	QingLing figure No.	Left/Right	Qty.		Single cab
18	Single-pipe clamp					
	8-97168-819-0			03	A Pipe clamp (B) Inner diameter=10&4.76×3	
19	8-97202-954-1		Left	03	A Pipe clamp (E) Inner diameter=12&6.35&4.76	
	Bracket assembly-front bracket					
20	8-97389-845-2	3500010-P301		01	A Fixation clamp	
	Fixation clamp					
39	8-94250-923-0			01	A (B) Inner diameter=6.35&4.76×2	
	8-94474-113-0			03	A (A) Inner diameter=6.35&6.35	
	8-97215-437-0	1104131-850		02	A Clip (C) Inner diameter=12&6.35	
39	Hexagon flange nut					
	0-91180-108-0	Q32008		01	A M8	

3-58

Fixed devices for brake pipelines

Figure No.

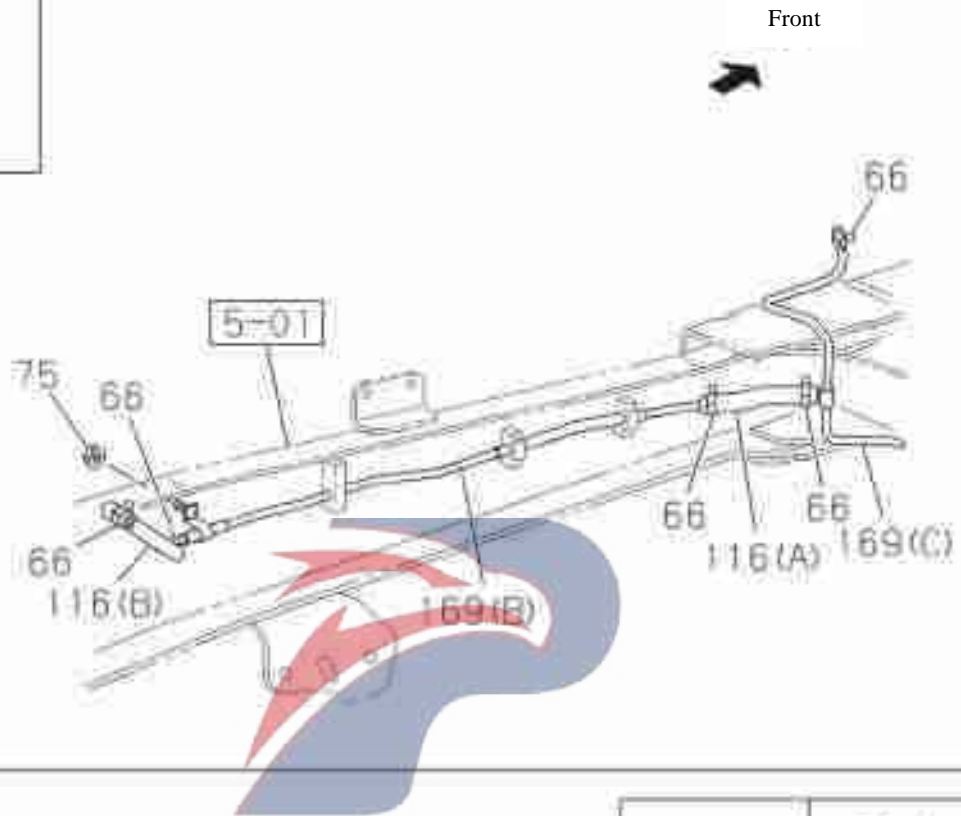
N/S	Recommended specification / name of part				
	Isuzu figure No.	QingLing figure No.	Left/Right	Qty.	Applicable models / applicable status / notes
					Single cab
49	Bracket				
	8-98033-802-0	3510124-P301		01	A (A)
	8-98036-116-2	3500020-P301		01	A Bracket assembly-front bracket (B)
62	Hexagon flange nut				
	0-91180-110-0	Q32010		02	A M10
67	Hexagon flange nut				
	0-91111-514-0	Q351B14		01	A M14
	0-91180-110-0	Q32010		01	A M10
146	Hexagon flange nut				
	0-91180-108-0	Q32008		01	A M8
	0-91180-110-0	Q32010		02	A M10
149	Flange bolts				
	0-28650-620-0	Q1840620		01	A M6x20

Vacuum brake pipelines

3-60

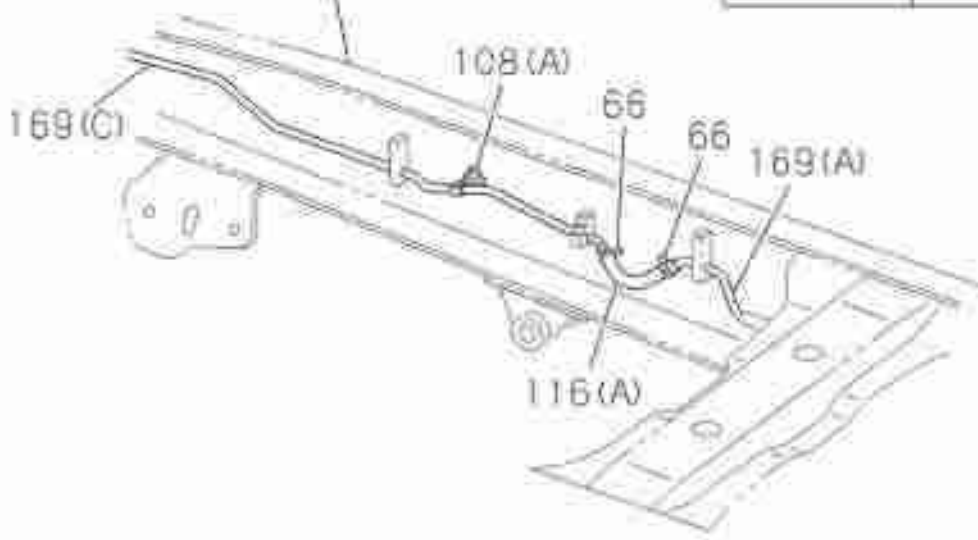
Car frame side (NO.1)

Figure No.



Front
←

POWERSTAR

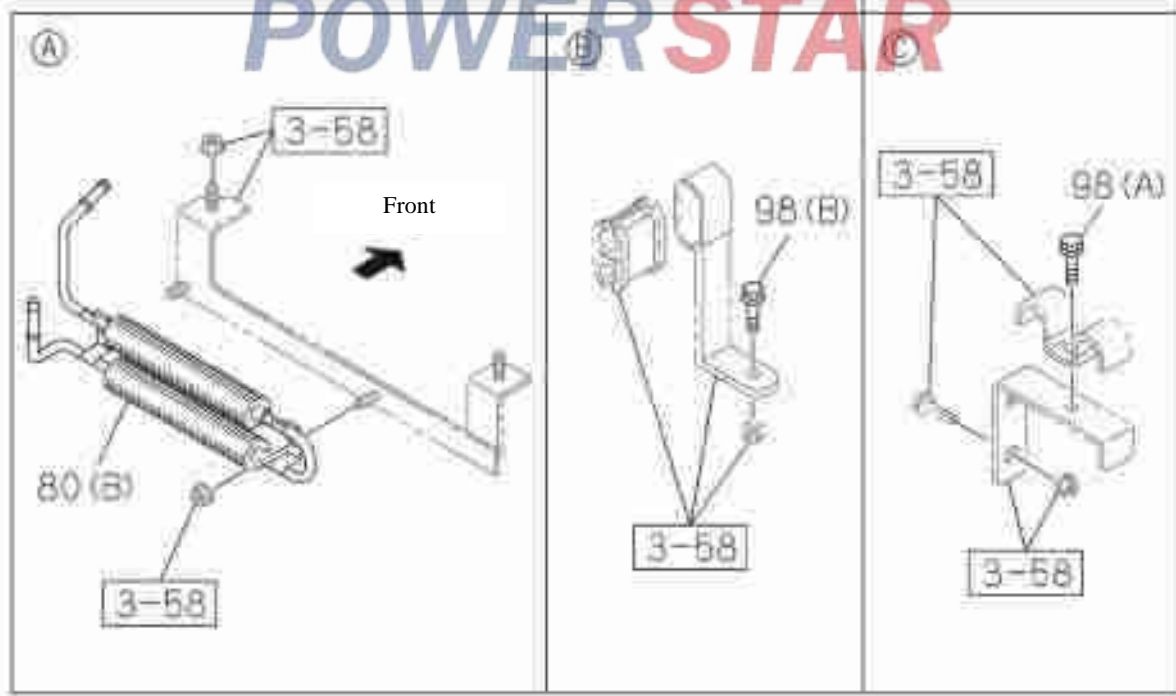
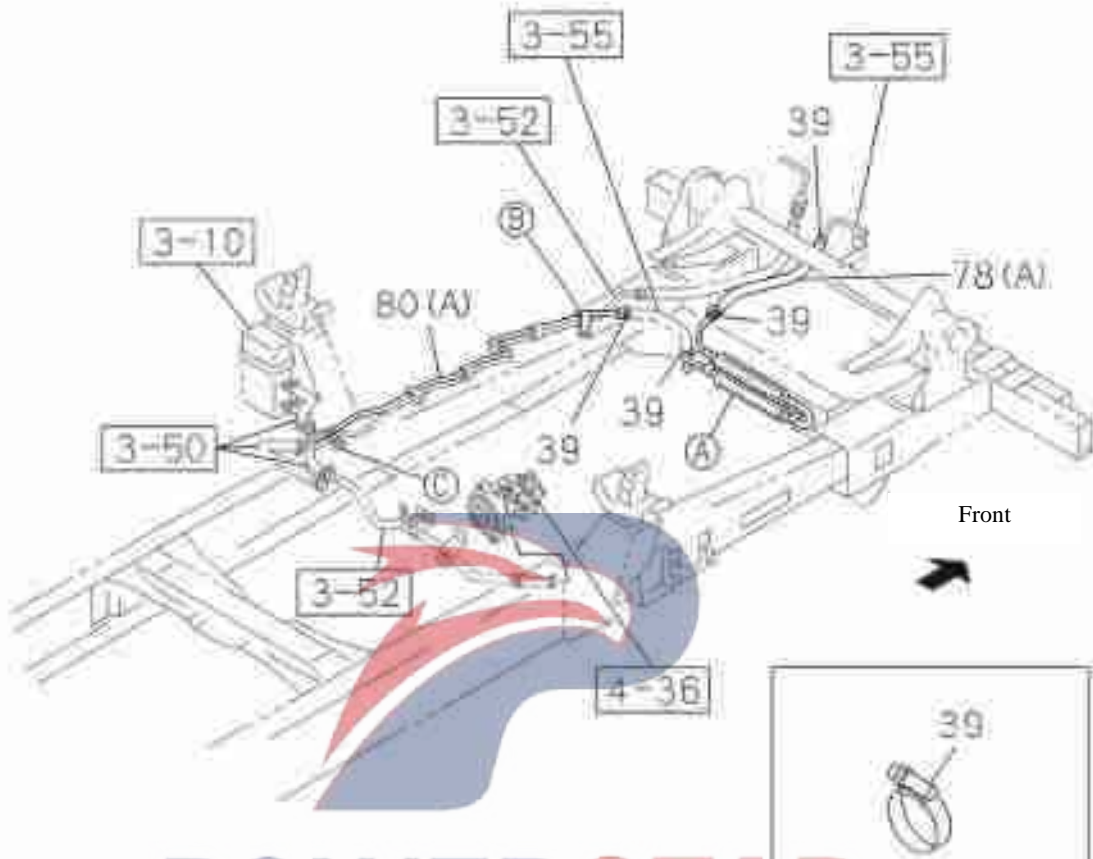


3-60

Vacuum brake pipelines

Figure No.

Car frame side (NO.2)

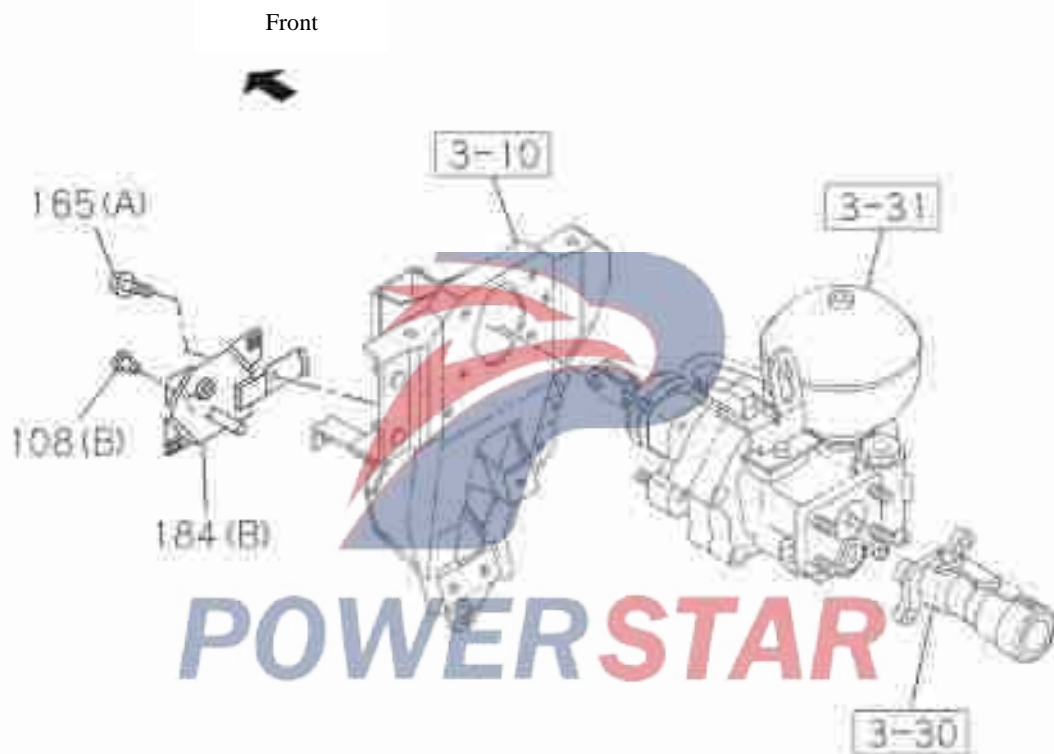


Vacuum brake pipelines

Cab side (NO.1)

3-60

Figure No.

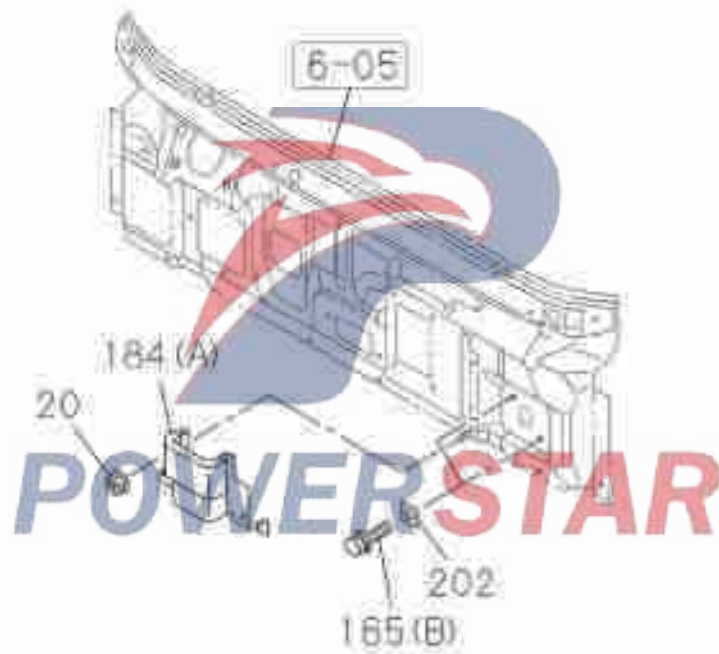


3-60

Vacuum brake pipelines

Figure No.

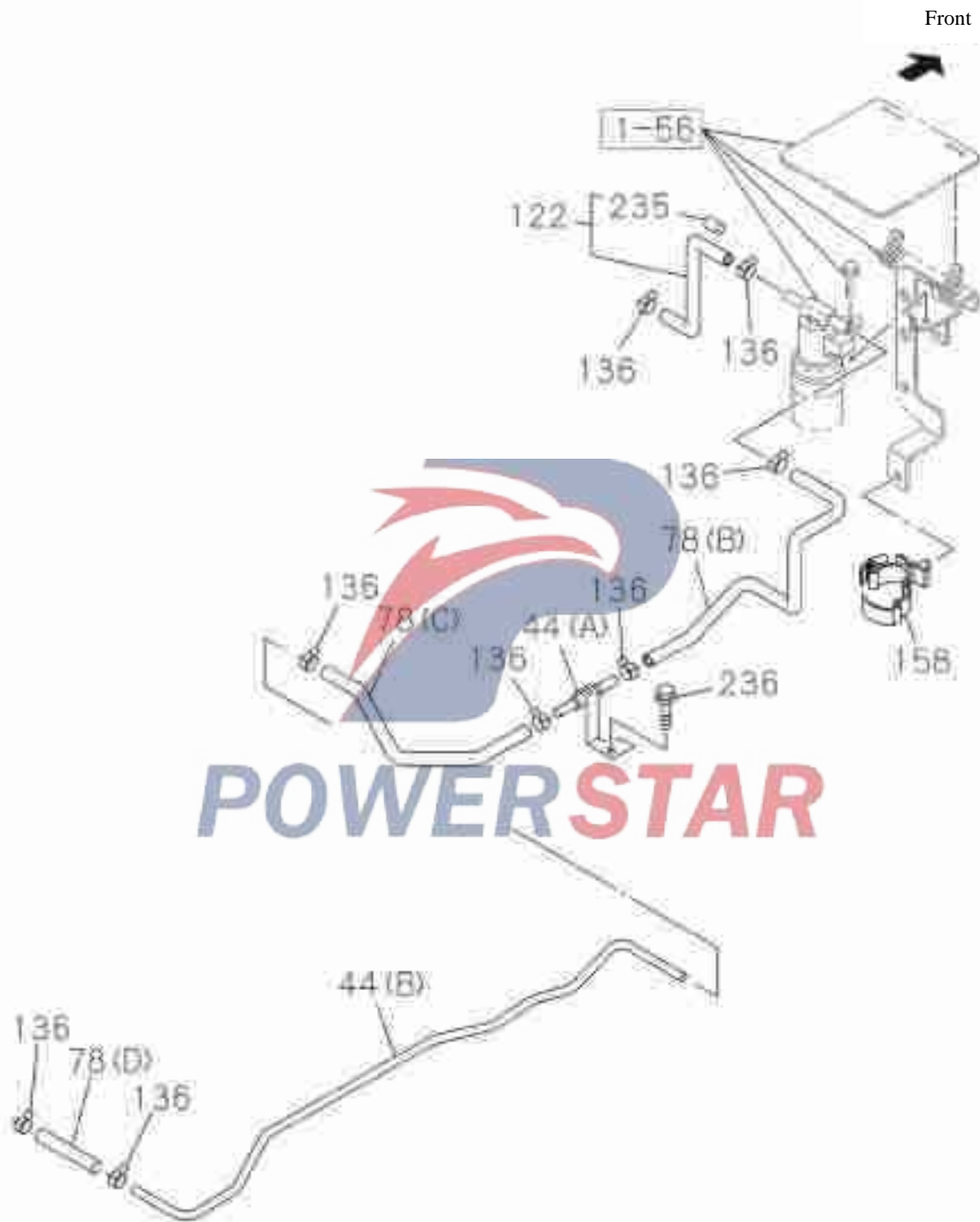
Cab side (NO.2)



Vacuum brake pipelines

3-60

Figure No.



3-60

Vacuum brake pipelines

Figure No.

N/S	Recommended specification / name of part				
	Isuzu figure No.	QingLing figure No.	Left/Right	Qty.	Applicable models / applicable status / notes
					Single cab
20	Hexagon flange nut				
	0-91180-106-0	Q32006		01 A	M6
39	Pipe clamp				
	8-94426-597-0			06 A	Inside diameter =11-19.5
44	High pressure hard tube assembly				
	8-98057-425-0			01 A	(B)
	8-98070-194-0			01 A	(A)
66	Spring tube clamp- rubber hose				
	8-94238-568-0	1104271-44		06 A	Inner diameter=16
75	Hexagon flange nut				
	0-91180-108-0	Q32008		01 A	M8
78	Rubber hose				
	0-08258-300-0			01 A	(D) Length=260
	8-98034-112-4	3510119-P301		01 A	Vacuum hose (A)

Vacuum brake pipelines

3-60

Figure No.

N/S	Recommended specification / name of part				Applicable models / applicable status / notes
	Isuzu figure No.	QingLing figure No.	Left/Right	Qty.	
					Single cab
78	Rubber hose				
	8-98057-462-0	1108033-P301		01	A (C)
	8-98063-819-2	1108034-P301		01	A (B)
80	Vacuum tube assembly				
	8-98033-804-2	3510030-P301		01	A (A) Rear
	8-98039-753-0	3510020-P301		01	A (B) Front
98	Flange bolts				
	0-28050-612-0	Q1840612		01	A (A) M6×12
	0-28650-825-0	Q1840825		01	A (B) M8×25
108	Hole guard ring				
	8-94128-319-2	1104121-803		02	A (A) Inner diameter=17

3-60

Vacuum brake pipelines

Figure No.

S/N	Recommended specification / name of part				
	Isuzu figure No.	QingLing figure No.	Left/Right	Qty.	Applicable models / applicable status / notes
					Single cab
108	Hole guard ring				
	9-09956-353-0	3510241-P301		01	A Washer nut (B)
116	Rubber hose				
	0-08158-300-0			02	A (A) Length=140
	8-98034-276-2			02	A (B)
122	Rubber hose				
	8-98034-103-2	1108031-P301		01	A
136	Spring tube clamp- rubber hose				
	8-94238-568-0	1104271-44		08	A Inner diameter=16
158	Pipe clamp				
	8-97061-603-0	1108035-P301		01	A Inside diameter =14-20
165	Flange bolts				
	0-28650-616-0	Q1840616		01	A (A) M6*16

Vacuum brake pipelines

3-60

Figure No.

S/N	Recommended specification / name of part				Applicable models / applicable status / notes
	Isuzu figure No.	QingLing figure No.	Left/Right	Qty.	
165	----- Flange bolts				
	8-98031-842-0			02	A (B) M16×20
169	----- Vacuum tube				
	8-98041-052-2	3510116-P301		01	A (B)
	8-98048-901-0	3510117-P301		01	A (C)
	8-98047-903-0	3510118-P301		01	A (A)
184	---- Bracket-vacuum tube				
	8-98039-684-2	3510221-P301		01	A (A)
	8-98089-764-0	3510210-P301		01	A (B)
202	----- Water seal-heating device				
	8-97856-616-0	3510231-P301		02	A
235	---- Pipe rubber sleeve - oil inlet pipe				
	8-97214-235-0	1104212-850		02	A Outer diameter =16.5 Length=50

3-60

Vacuum brake pipelines

Figure No.

N/S	Recommended specification / name of part				Applicable models / applicable status / notes	
	Isuzu figure No.	QingLing figure No.	Left/Right	Qty.	Single cab	
236	-----	Flange bolts				
	0-28650-825-0	Q1840825		01	A	M8*25

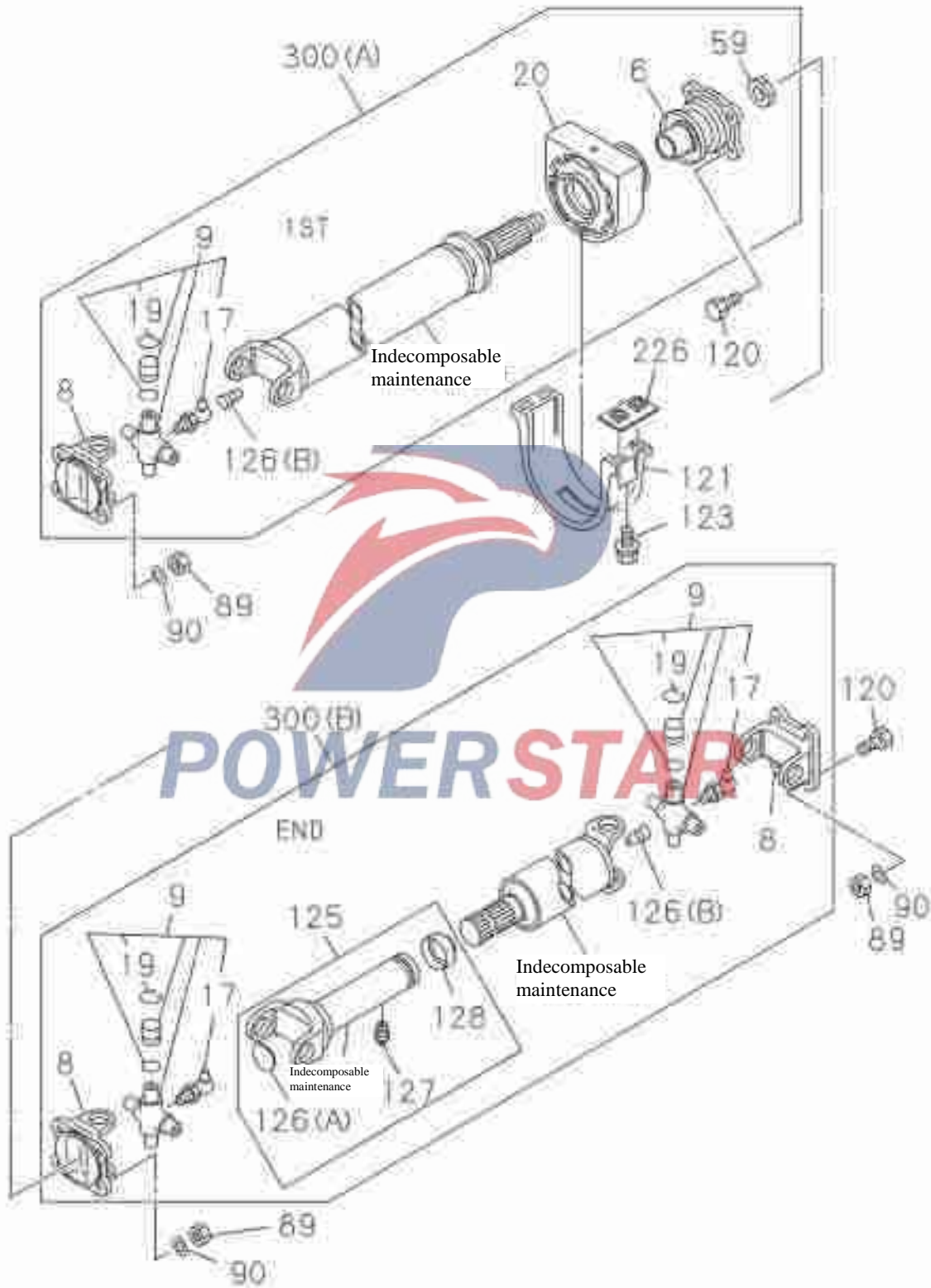


POWERSTAR

4-01

Drive shaft

Figure No.



Drive shaft

4-01

Figure No.

N/S	Recommended specification / name of part				Applicable models / applicable status / notes
	Isuzu figure No.	QingLing figure No.	Left/Right	Qty.	
					Single cab
6	Articulator assembly				
	8-98020-796-0			01	A
8	Flange fork				
	1-37211-037-4	2201020-P304		02	A
					Straight frame type
					Diameter=80
	1-37211-037-4	2201020-P304		01	A
					Diameter=80
9	Connecting tray assembly				
	8-98020-789-0	HWJ-2789-00		02	A
					Straight frame type
	8-98020-789-0	HWJ-2789-00		01	A
17	Grease nipple assembly				
	0-90301-610-0	GB/T1152		02	A
					Straight frame type
					PT1/8 Elbow
	0-90301-610-0	GB/T1152		01	A
					PT1/8 Elbow
19	Snap ring				
	1-09587-014-0	GB/T1222		08	A
					Only for wheelbase 4175mm models
					Straight frame type
					Thickness = 1.95
	1-09587-015-2	GB/T1222		08	A
					Only for wheelbase 4175mm models
					Straight frame type
					Thickness = 2.00

4-01

Drive shaft

Figure No.

S/N	Recommended specification / name of part				Applicable models / applicable status / notes
	Isuzu figure No.	QingLing figure No.	Left/Right	Qty.	
19	---- Snap ring				
	1-09587-016-1	GB/T1222	08	A	Only for wheelbase 4175mm models Straight frame type Thickness = 2.05
20	---- Bearing assembly-mid-support				
	8-98020-880-0	2202095-P304	01	A	
59	---- Nut				
	8-97160-857-0		01	A	M30
89	---- Nut				
	8-97365-450-0	2200012-P301	12	A	Except wheelbase 5200mm M12
		2200012-P301	16	A	Only for wheelbase 5200mm models M12
90	---- Heavy duty spring washer				
	0-91510-812-0	Q40512	12	A	Except wheelbase 5200mm Inner diameter=12.2
		Q40512	16	A	Only for wheelbase 5200mm models Inner diameter=12.2
120	---- Bolt				
	8-97365-451-0	2200011-P301	08	A	Except wheelbase 5200mm M12×35
		2200011-P301	12	A	Only for wheelbase 5200mm models M12×35
121	---- Intermediate support hanger				
	8-97035-623-1	2201211-P301	01	A	Except wheelbase 5200mm
		2201211-P301	02	A	Only for wheelbase 5200mm models

Drive shaft

4-01

Figure No.

S/N	Recommended specification / name of part				Applicable models / applicable status / notes
	Isuzu figure No.	QingLing figure No.	Left/Right	Qty.	
123	----- Combination bolt				Except wheelbase 5200mm M10*40
	0-50641-025-0	Q1461040		04	
125	----- Splines fork assembly				Only for wheelbase 5200mm models M10*40
	8-98044-229-0	2202026-P304		01	
126	----- Blockage				Straight frame type Length=224 (B)
	1-09600-023-0			01	
127	----- Grease nipple assembly				Straight frame type (A) M6 Straight tip
	0-90301-406-0	GB1152		01	
128	----- Oil seal				Straight frame type
	8-97145-746-0	2201061-P403		01	
226	----- Connection board				
	8-97371-572-0	2200013-P301		02	
300	----- Drive shaft				Rear section assembly of drive shaft Only for wheelbase 3815mm, 5200mm models Straight frame type (B) Length=1011
	8-98040-477-0	2201010-P304		01	

4-01

Drive shaft

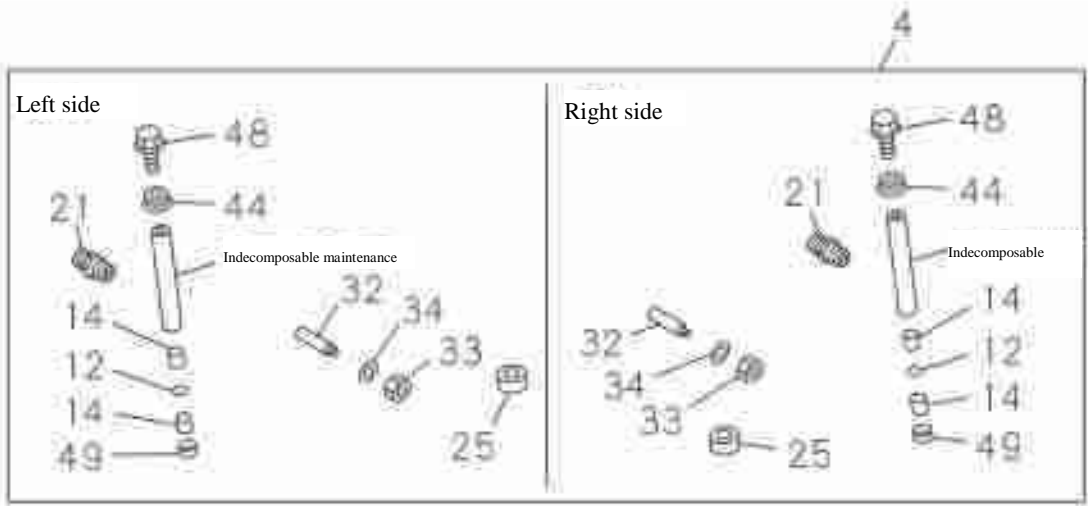
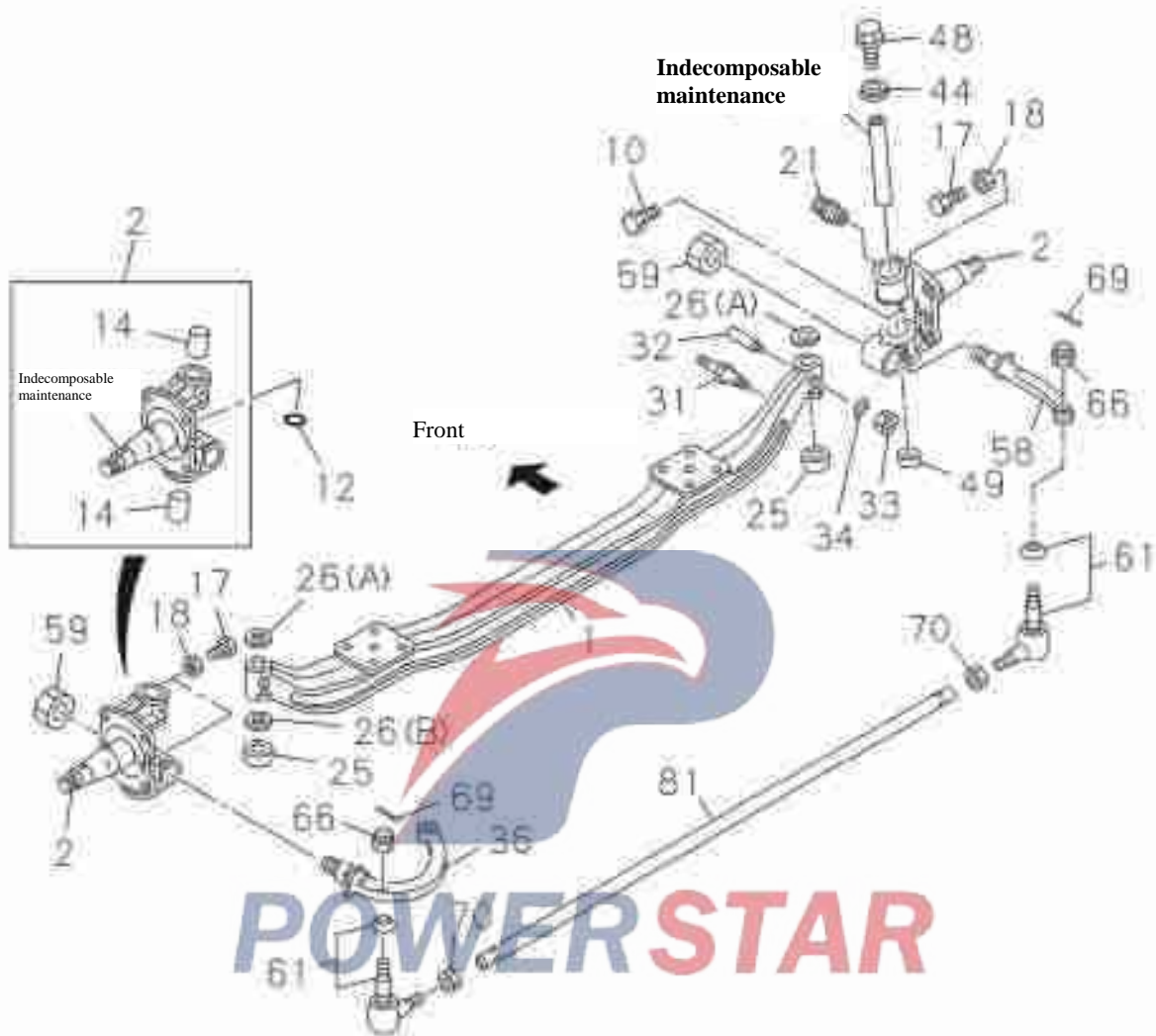
Figure No.

S/N	Recommended specification / name of part					
	Isuzu figure No.	QingLing figure No.	Left/Right	Qty.	Applicable models / applicable status / notes	
					Single cab	
300	Drive shaft					
	8-98024-902-0	2204010-P304		01	A	<p>Front section assembly of drive shaft</p> <p>Only for wheelbase 3815mm and 4175mm models</p> <p>(A)</p> <p>Length=1112</p>
	8-98063-805-0	2201010-P303		01	A	<p>Rear section assembly of drive shaft</p> <p>Only for wheelbase 4175mm models</p> <p>Straight frame model</p> <p>(B)</p> <p>Length=1252</p>
	8-98086-988-0	2204010-P301		01	A	<p>Front section assembly of drive shaft</p> <p>Only for wheelbase 4475mm and 5200mm models</p> <p>(A)</p> <p>Length=1352</p>
	8-98024-925-0	2201010-P301		01	A	<p>Rear section assembly of drive shaft</p> <p>Only for wheelbase 4475mm models</p> <p>Straight frame type</p> <p>(B)</p> <p>Length=1302</p>
		2202010-P302		01	A	<p>Intermediate section assembly of drive shaft</p> <p>Only for wheelbase 5200mm models</p>

Front axle

4-10

Figure No.



4-10

Front axle

Figure No.

N/S	Recommended specification / name of part				
	Isuzu figure No.	QingLing figure No.	Left/Right	Qty.	Applicable models / applicable status / notes
					Single cab
1	Front axle (I beam)				
	8-98038-384-0	3001011-P301		01	A
2	Knuckle assembly				
	8-97261-549-1	3001040-P301	Right	01	A
	8-97261-550-1	3001030-P301	Left	01	A
4	Main pin repair kit				
	5-87832-219-0			01	A
10	Plug screw-steering knuckle				
	8-97360-117-0	3001044-10		01	A
12	Seal ring				
	8-98084-500-0			02	A
14	Bushing - main pin				
	8-94107-672-2	3001033-10		04	A
17	Plug screw-steering knuckle limit				
	8-98016-968-0	3001061-10		02	A
18	Nut -steering knuckle limit				
	0-91111-512-0	Q351B12T15		02	A
					M12

Front axle

4-10

Figure No.

S/N	Recommended specification / name of part				Applicable models / applicable status / notes
	Isuzu figure No.	QingLing figure No.	Left/Right	Qty.	
21	Grease nipple assembly				
	0-90301-406-0	GB1152		04	A M6 Straight tip
25	Thrust bearing				
	8-94248-883-2	3001070-10		02	A
26	Adjustment gasket-steering knuckle				
	8-94162-574-0	3001681-10		As required	A (A) Thickness = 0.50
	8-94162-575-0	3001082-10		As required	A (A) Thickness = 0.55
	8-94162-576-0	3001683-10		As required	A (A) Thickness = 0.60
	8-94162-577-0	3001084-10		As required	A (A) Thickness = 0.65
	8-94168-490-0	3001088-P301		As required	A Adjustment gasket (B) Thickness = 1.95
	8-94174-352-0	3001685-10		As require	A (A) Thickness = 0.70

4-10

Front axle

Figure No.

N/S	Recommended specification / name of part				Applicable models / applicable status / notes
	Isuzu figure No.	QingLing figure No.	Left/Right	Qty.	
					Single cab
26	Adjustment gasket-steering knuckle				
	8-94174-354-0	3001086-10		As required	A (A) Thickness = 0.80
	8-94174-356-0	3001087-10		As required	A (A) Thickness = 0.90
31	Pin-Shock absorber				
	8-97145-460-0	2905911-P301		02	A
32	Wedge bolt				
	8-97141-945-1	3001091-10		02	A
33	Nut-wedge bolt				
	0-91110-510-0	Q341C10T13F2		02	A M10
34	Spring washer-wedge bolt				
	0-91510-510-0	Q40310		02	A Outer diameter = 10.2
36	Knuckle elbow				
	8-97210-771-2	3003063-P301	Left	01	A
44	Upper dust cover assembly-master pin of steering knuckle				
	8-97360-023-0	3001090-P301		02	A

Front axle

4-10

Figure No.

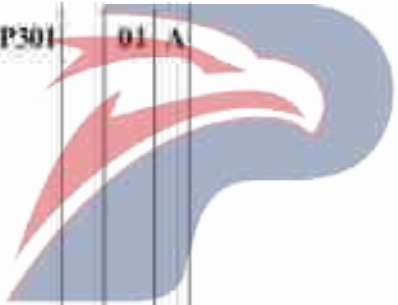
N/S	Recommended specification / name of part				Applicable models / applicable status / notes
	Isuzu figure No.	QingLing figure No.	Left/Right	Qty.	
					Single cab
48	----- Bolt- upper dust cover				
	0-28051-012-0	Q1841012		02	A M10*12 Tape reel
49	----- Lower plug cover-master pin of steering knuckle				
	8-97360-024-0	3001045-10		02	A
58	----- Steering knuckle arm				
	8-97147-636-0	3003062-P301	Right	01	A
59	----- Nut- steering knuckle (curved) arm and steering knuckle				
	8-97360-123-0	3003061-10		02	A
61	----- Ball stud assembly				
	8-97142-100-1	3003060-P301	Right	01	A
	8-97142-101-1	3003050-P301	Left	01	A
66	----- Nut-tie rod				
	0-91116-516-0	Q381B16T13F2		02	A M16 Groove
69	----- Split pin-tie rod				
	0-81124-020-0	Q5000420		02	A Outer diameter =3.7 Length=20

4-10

Front axle

Figure No.

N/S	Recommended specification / name of part				
	Isuzu figure No.	QingLing figure No.	Left/Right	Qty.	Applicable models / applicable status / notes
					Single cab
70	--- Nut-tie rod				
	8-94254-726-0	3003011-10	Left	01	M20 Left screw threads
	8-98043-530-0	3003012-10	Right	01	
81	--- Tie rod				
	8-97061-869-0	3003013-P301		01	

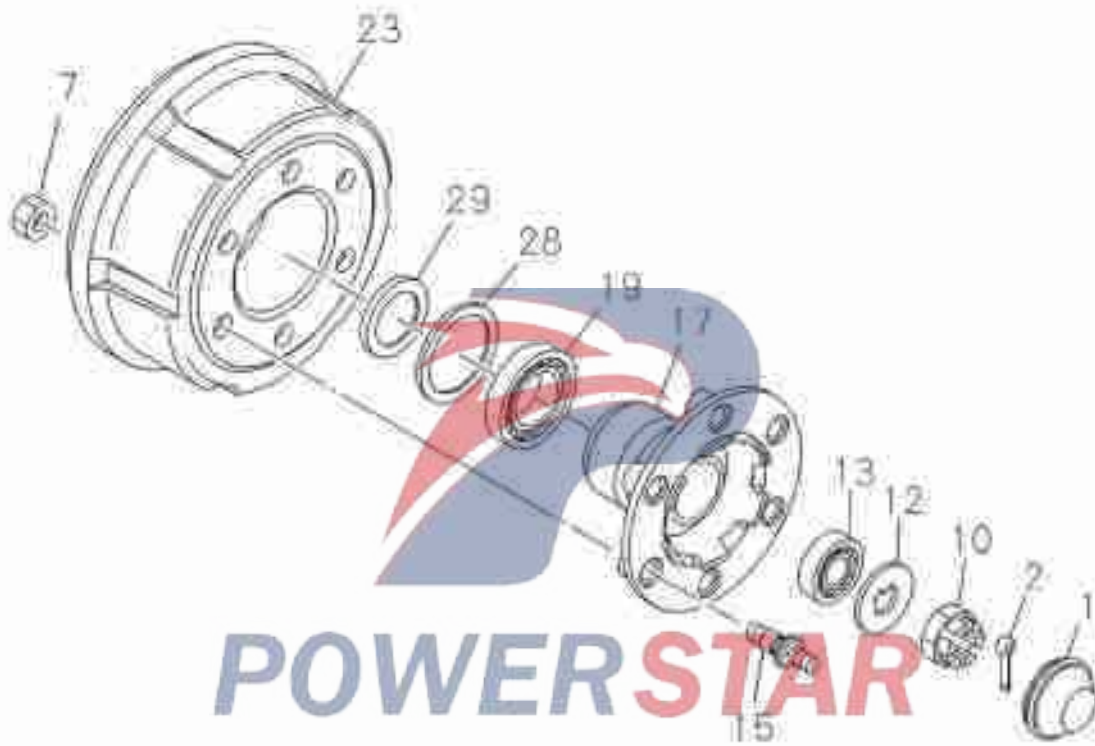


POWERSTAR

Front hub and front brake drum

4-11

Figure No.



4-11

Front hub and front brake drum

Figure No.

S/N	Recommended specification / name of part				
	Isuzu figure No.	QingLing figure No.	Left/Right	Qty.	Applicable models / applicable status / notes
					Single cab
1	----- Dust cover-front hub				
	8-97360-101-0	3103035-801		02	A
2	----- Split pin				
	0-81125-040-0	Q5000540		02	A
	Outer diameter =4.6 Length=40				
7	----- Nut - hub and brake drum				
	0-91110-522-0	Q351B22T15		12	A
	M22				
10	----- Nut - outer hub bearing				
	8-94247-357-1	3103084-10		02	A
12	----- Pin stop washer-outer hub bearing				
	8-94247-356-1	3103083-10		02	A
13	----- Outer bearing-hub				
	9-00093-172-0	3103050-10		02	A
15	----- Wheel bolt				
	8-97081-584-2	3103042-P301	Right	06	A
	8-98081-585-2	3103032-P302	Left	06	A
17	----- Front hub				
	8-97107-414-0	3103031-P301		02	A

Front hub and front brake drum

4-11

Figure No.

N/S	Recommended specification / name of part				Applicable models / applicable status / notes
	Isuzu figure No.	QingLing figure No.	Left/Right	Qty.	
19	----- Inside bearing-hub				
	8-94248-088-2	3103060-10		02	A
23	----- Front drum brake				
	8-97188-115-0	3501711-P301		02	A
28	----- Oil seal assembly-hub inner bearing				
	8-94248-117-1	3103070-10		02	A
29	----- Retainer ring-hub inner bearing				
	8-97234-513-0	3103081-10		02	A

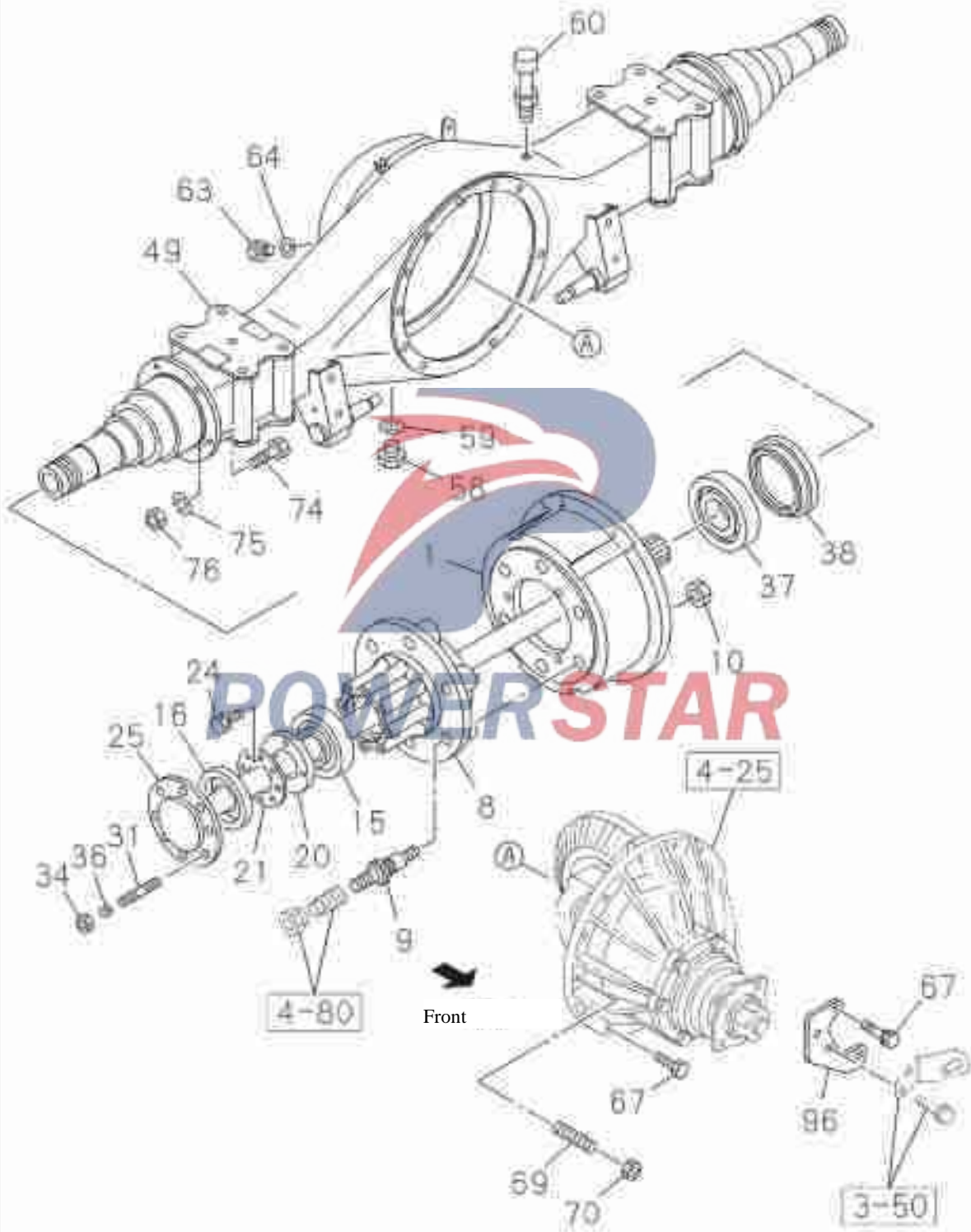


POWERSTAR

4-20

Rear-axle housing and half axle

Figure No.



Rear-axle housing and half axle

4-20

Figure No.

S/N	Recommended specification / name of part				
	Isuzu figure No.	QingLing figure No.	Left/Right	Qty.	Applicable models / applicable status / notes
					Single cab
1	--- Rear drum brake				
	8-97102-001-3	3502711-P301		02	A
8	--- Rear hub				
	8-97107-549-2	3104011-P301		02	A
9	--- Wheel bolt				
	8-97081-584-2	3103042-P301	Right	06	A
	8-97081-585-2	3103032-P301	Left	06	A
10	--- Nut				
	0-91110-522-0	Q351B22T15		12	A
15	--- Outer hub bearing				
	9-00093-607-0	3103050-P301		02	A
16	--- Oil seal assembly-hub outer bearing				
	8-94336-317-2	3104090-P301		02	A
20	--- Hub nut				
	8-97137-094-0	3104211-P301		02	A
					M55
21	--- Pin stop washer				
	9-09653-002-0	3103083-P301		02	A
					Inner diameter=55

4-20

Rear-axle housing and half axle

Figure No.

S/N	Recommended specification / name of part				
	Isuzu figure No.	QingLing figure No.	Left/Right	Qty.	Applicable models / applicable status / notes
					Single cab
24	Hexagon flange bolt				
	0-28050-610-0	Q1840610		04	A M6*10
25	Half axle				
	8-97134-439-0	2403511-P301		02	A Length=885
31	Hub bolt				
	8-97359-803-0	3104021-P301		16	A M10*30 Length=49
34	Nut				
	0-91180-210-0	Q32010T13		16	A M10 Tape reel
36	Special washer-half axle and hub				
	8-97360-004-0	2400135-P301		16	A Inner diameter=10.5
37	Hub inner bearing				
	8-97122-938-0	3103060-P301		02	A
38	Oil seal assembly-hub inner bearing				
	8-97122-937-0	3103070-P301		02	A
49	Rear axle housing assembly				
	8-97222-079-1	2401010-P301		01	A

Rear-axle housing and half axle

4-20

Figure No.

N/S	Recommended specification / name of part				Applicable models / applicable status / notes
	Isuzu figure No.	QingLing figure No.	Left/Right	Qty.	
					Single cab
58	Oil-drain screw plug assembly				
	8-97307-060-0	2400110A-803		01	A M16×12.5
59	Sealing pad - oil drain screw plug assembly				
	9-09571-416-0	Q72316T5		01	A Inner diameter=16.2 Outer diameter=24
60	Ventilation plug assembly				
	8-98006-960-0	2401310-P301		01	A Length=29
63	Oil filler screw plug-rear axle cover				
	8-98009-333-0	2400042-10		01	A M20×10.5
64	Seal gasket-oil filler screw plug				
	8-94462-734-0	2400126-803		01	A Inner diameter=20 Outer diameter=30
67	Nut-final drive housing and axle housing				
	0-50061-040-0	Q1421040T		07	A M10×40
	0-50061-050-0	Q1421050T		04	A M10×50
69	Stud -main reducer housing and axle housing				
	8-97359-802-0	2400136-P301		02	A M10×40.5 Length=52.5

4-20

Rear-axle housing and half axle

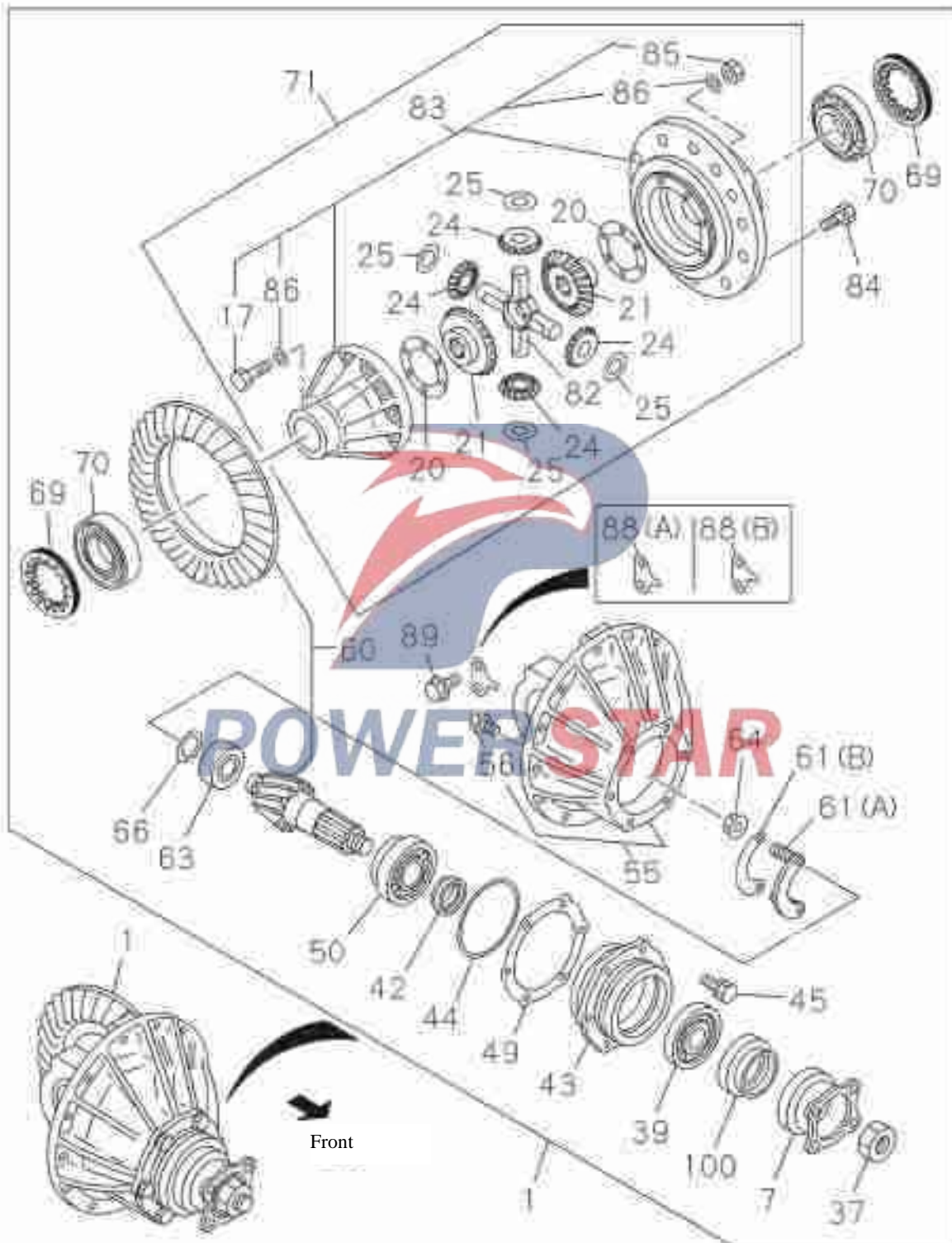
Figure No.

N/S	Recommended specification / name of part				
	Isuzu figure No.	QingLing figure No.	Left/Right	Qty.	Applicable models / applicable status / notes
					Single cab
70	----- Nut- main reducer and axle housing				
	0-91180-210-0	Q32010T13		02	A M10 Tape reel
74	----- Bolt- brake dust cover and steering knuckle				
	8-98007-879-0	3501881-P301		12	A M14x40
75	----- Washer- brake, dust cover and steering knuckle				
	0-91510-814-0	Q40514		12	A Inner diameter=14.2
76	----- Nut - brake, dust cover and steering knuckle				
	0-91110-514-0	Q341B14T13F2		12	A M14
96	----- Bracket - LSPV valve				
	8-98037-102-0	2400134-P304		01	A

Rear axle housing reducer

4-25

Figure No.



4-25

Rear axle housing reducer

Figure No.

S/N	Recommended specification / name of part				Applicable models / applicable status / notes
	Isuzu figure No.	QingLing figure No.	Left/Right	Qty.	
					Single cab
1	----- Rear axle main reducer assembly				
	8-97388-700-0	2402010-P301		01	A 41/10
7	----- Flange assembly				
	8-97047-095-2	2402150-P301		01	A
17	----- Bolt -connect the left and right differential housing				
	8-98047-295-0	2403072-P301		12	A
20	----- Washer - semi-axle gear				
	1-41562-073-0	2400123-P301		As required	A Thickness = 2.80
	1-41562-074-0	2400124-P301		As required	A Thickness = 2.90
	1-41562-075-0	2400125-P301		As required	A Thickness = 3.00
	1-41562-076-0	2400126-P301		As required	A Thickness = 3.10
	1-41562-077-0	2400127-P301		As required	A Thickness = 3.20
	1-41562-078-0	2400128-P301		As required	A Thickness = 3.30
	1-41562-079-0	2400129-P301		As required	A Thickness = 3.40

Rear axle housing reducer

4-25

Figure No.

N/S	Recommended specification / name of part				
	Isuzu figure No.	QingLing figure No.	Left/Right	Qty.	Applicable models / applicable status / notes
					Single cab
21	----- Semi-axle gear-differential				
	1-41561-093-0	2402246-P301		02	A Z=16
24	----- Planetary gears-differential				
	1-41551-024-0	2402245-P301		04	A Z=10
25	----- Washer - planetary gears				
	1-41552-020-0	2400131-P301		04	A
37	----- Self-locking nut-holding flange				
	8-97047-146-0	2400121-P301		01	A M30 Tape reel
39	----- Outer bearing - drive bevel gear				
	1-09812-026-0	2402350-P301		01	A
42	----- Active spacer - drive bevel gear				
	8-97047-097-0	2402241-P301		01	A
43	----- Bearing spacer- drive bevel gear				
	8-97047-098-0	2402243-P301		01	A
44	----- O-ring				
	8-97048-053-0	2402244-P301		01	A

4-25

Rear axle housing reducer

Figure No.

N/S	Recommended specification / name of part				Applicable models / applicable status / notes
	Isuzu figure No.	QingLing figure No.	Left/Right	Qty.	
					Single cab
45	----- Bolt -bearing spacer and reducer housing				
	0-50071-240-0	Q1421240		06	A M12×40
49	----- Gasket-bearing spacer				
	8-97047-298-0	2402245-P301		As required	A Inside diameter =142 Thickness = 0.12
	8-97047-299-0	2402246-P301		As required	A Inside diameter =142 Thickness = 0.15
	8-97047-300-0	2402247-P301		As required	A Inside diameter =142 Thickness = 0.20
	8-97048-418-0	2402248-P301		As required	A Inside diameter =142 Thickness = 0.25
	8-97048-419-0	2402249-P301		As required	A Inside diameter =142 Thickness = 0.50
50	----- Inner bearing - drive bevel gear				
	1-09812-041-2	2402330-P301		01	A
55	----- Reducer housing and differential bearing cap				
	8-97094-637-0	2402020-P301		01	A
56	----- Reducer bearing cap and reducer housing				
	1-09070-027-0	2402062-P301		04	A M14×95 Tape reel

Rear axle housing reducer

4-25

Figure No.

N/S	Recommended specification / name of part				Applicable models / applicable status / notes
	Isuzu figure No.	QingLing figure No.	Left/Right	Qty.	
60	---- Driving/driven gear				
	8-97061-846-0	2402210-P301	01	A	41/10
61	---- Bearing holder assembly (right housing)				
	8-97047-149-0	2402270-P301	01	A	(A)
					With studs
	8-97047-150-0	2402275-P301	01	A	Bearing holder assembly (left housing)
					(B)
63	---- Bearing - drive bevel gear				
	8-97047-296-0	2402220-P301	01	A	
64	---- Hexagon flange nut				
	0-91180-106-0	Q32006	02	A	M6
66	---- Lock ring-drive bevel gear				
	8-97047-297-0	2402213-P301	01	A	
69	---- Adjusting nut-bearing, differential				
	1-41121-039-0	2402249-P301	02	A	M115 Height=20
70	---- Bearing - differential				
	9-00093-130-0	2402260-P301	02	A	Inside diameter = 66.7 Outside diameter = 113 Thickness = 30

4-25

Rear axle housing reducer

Figure No.

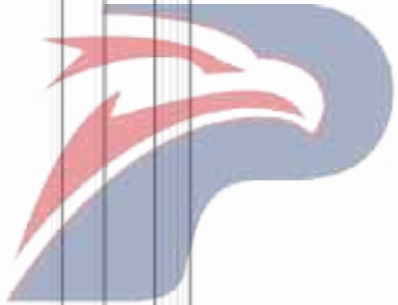
S/N	Recommended specification / name of part				Applicable models / applicable status / notes
	Isuzu figure No.	QingLing figure No.	Left/Right	Qty.	
71	----- Differential mechanism assembly				Single cab
	8-97047-099-1	2403010-P301		01	A
82	----- Cross shaft differential				
	1-41521-035-2	2402247-P301		01	A
83	----- Left and right differential housing assembly				
	8-97047-101-1	2403060-P301		01	A
84	----- Bolt - connect driven bevel gear and differential mechanism				
	8-97047-147-0	2400131-P301		12	A
					M16×30
85	----- Nut - connect the left and right differential housing				
	8-97065-214-0	2403073-P301		12	A
					M12
86	----- Washer - connect the left and right differential housing				
	8-97047-294-0	Q40110		24	A
					Inner diameter=12.5 Outer diameter=22 Thickness = 2
88	----- Adjusting washer - bearing adjusting nut				
	8-97087-821-0	2400132-P301			A
					(B)
	9-41124-015-0	2400133-P301			A
					(A)
					Thickness = 2.3

Rear axle housing reducer

4-25

Figure No.

N/S	Recommended specification / name of part				Applicable models / applicable status / notes
	Isuzu figure No.	QingLing figure No.	Left/Right	Qty.	
					Single cab
89	---- Bolt-fastening adjusting bolt				
	0-28050-816-0	Q1840616		04 A	M8*16 Tape reel
100	---- Oil seal assembly-drive bevel gear				
	I-09625-484-1	2402250-P301		01 A	

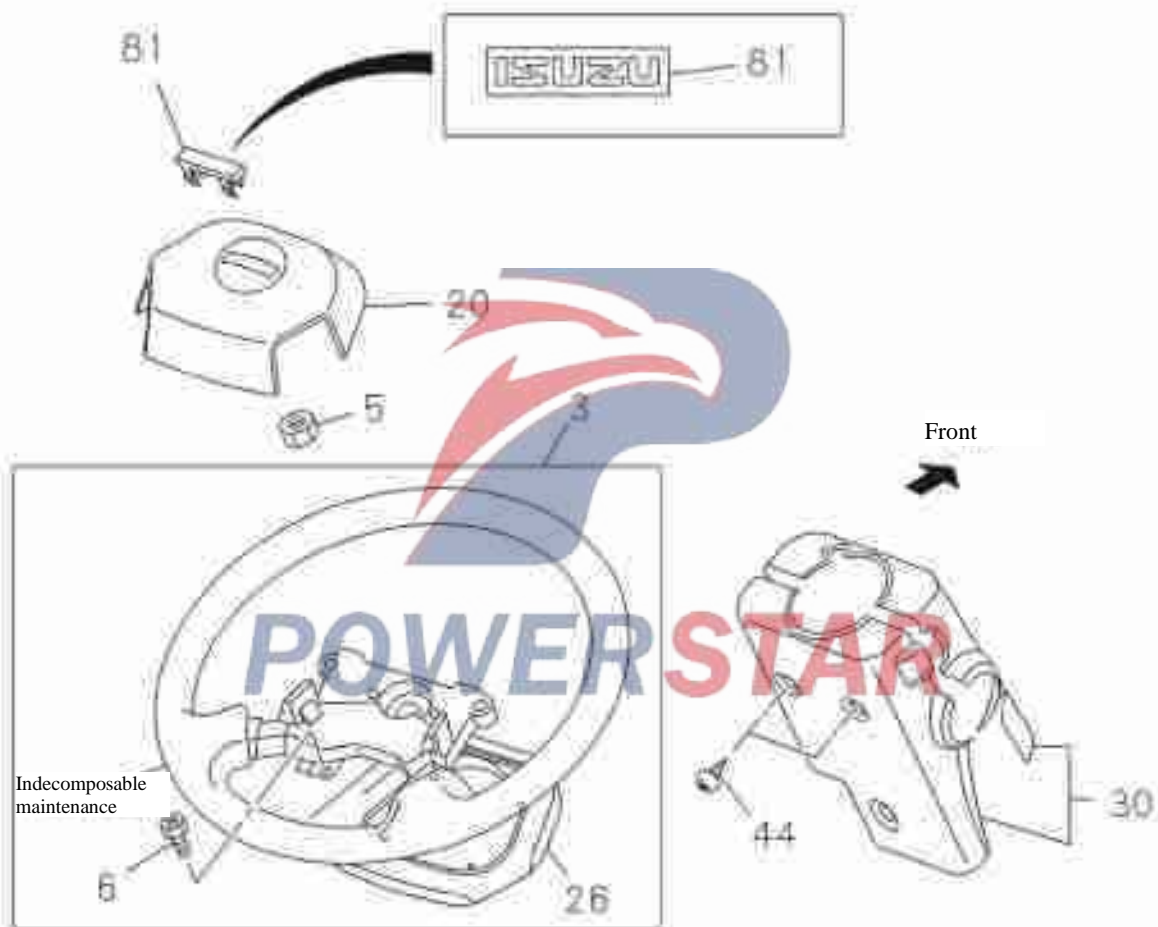


POWERSTAR

4-30

Steering wheel and steering pillar housing

Figure No.



Steering wheel and steering pillar housing

4-30

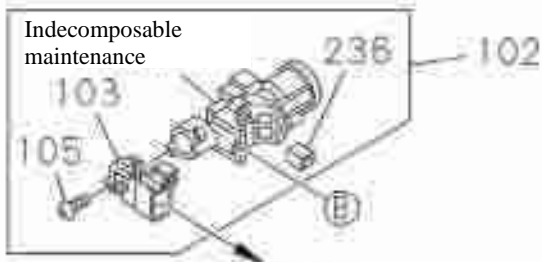
Figure No.

N/S	Recommended specification / name of part				
	Isuzu figure No.	QingLing figure No.	Left/Right	Qty.	Applicable models / applicable status / notes
					Single cab
3	Steering wheel assembly				
	8-97374-845-1	3402111-P301		04	A Dark grey
5	Nut - steering wheel				
	0-91111-514-0	Q351B14		01	A M14
6	Screw - horn				
	8-97167-588-0	3402121-P301		04	A M4*12
20	Horn hood				
	8-98002-797-0	3402211-P301		01	A Dark grey
26	Cover assembly				
	8-97409-275-2	3402131-P301		01	A Dark grey
30	Steering pillar housing				
	8-97405-356-5	3400100-P301		01	A Dark grey
44	Screw				
	0-38050-512-0			03	A M5*12
81	"ISUZU" sign-steering wheel				
	8-97075-826-0	3402212-P301		01	A Dark grey

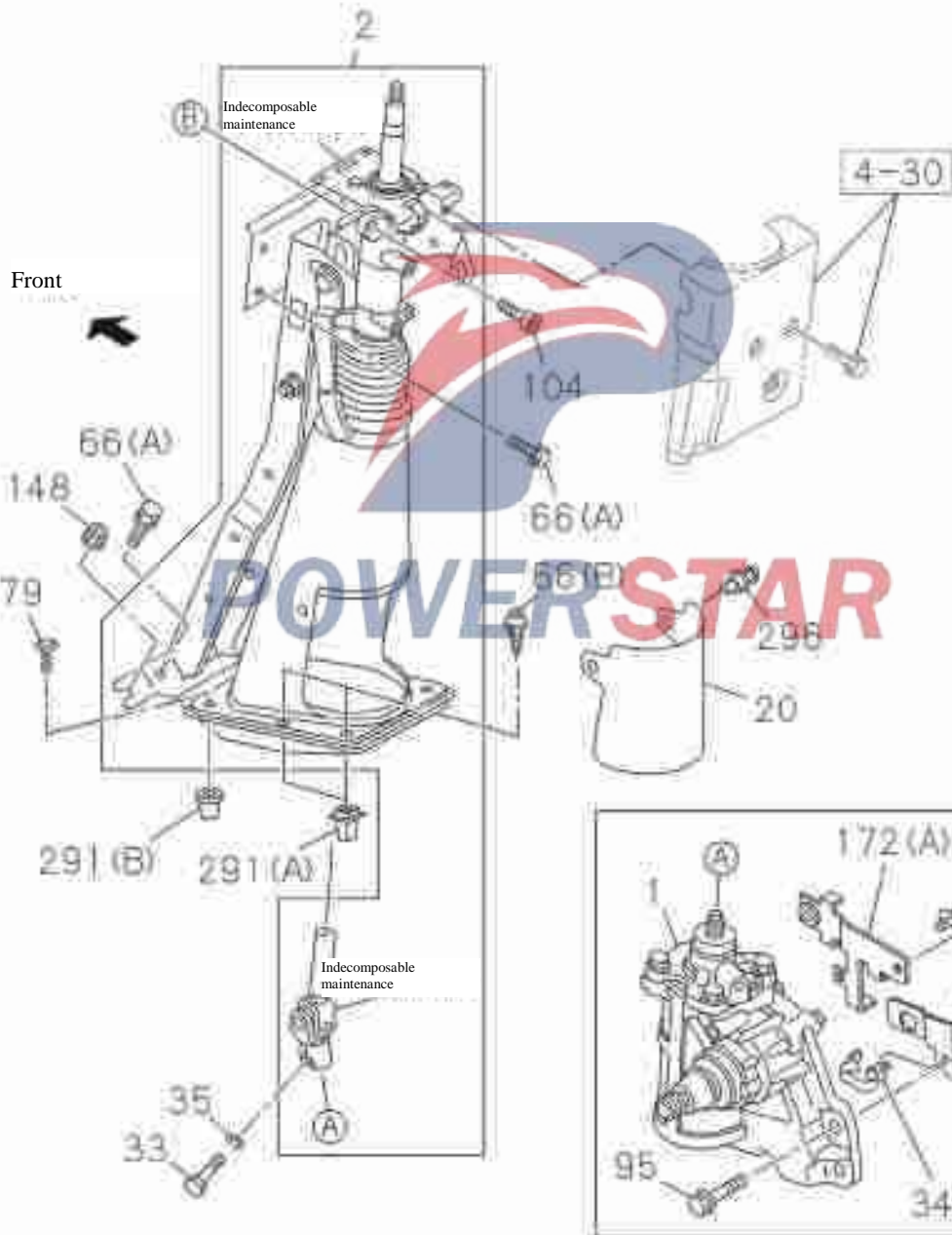
4-31

Steering pillar and shaft

Figure No.



Wiring harness



Steering pillar and shaft

4-31

Figure No.

N/S	Recommended specification / name of part				Applicable models / applicable status / notes
	Isuzu figure No.	QingLing figure No.	Left/Right	Qty.	
1	Steering gear assembly				Refer to Drawing No. 4-40
	8-98006-753-5			01 A	
2	Steering pillar and axle assembly				Black
	8-97406-375-3			01 A	
20	Decorative cover assembly-steering column				Black
	8-97405-159-0	3402020-P301		01 A	
33	Bolt				Black
	8-97359-615-0			01 A	
35	Heavy duty spring washer				Inner diameter=8.2
	0-91510-808-0	Q40508		01 A	
66	Screw-ventilation tube				(B) M5×18 With hole
	0-72180-518-0			04 A	
	8-98051-939-0			04 A	
					(A) M8×24.5

4-31

Steering pillar and shaft

Figure No.

N/S	Recommended specification / name of part				
	Isuzu figure No.	QingLing figure No.	Left/Right	Qty.	Applicable models / applicable status / notes
					Single cab
79	Clip				
	8-94363-776-0			02	A Length=19 Black
95	Bolt-steering gear				
	8-98055-055-0			04	A M12×47 Tape reel
96	Nut				
	8-97359-618-0			01	A M12 Tape reel
102	Steering lock assembly (solenoid valve)				
	8-97387-036-0			01	A
103	Ignition lock				
	8-98045-349-0			01	A
104	Bolt				
	8-97321-385-0			02	A M18×20
105	Screw- ignition lock				
	8-98045-346-0			02	A
148	Nut				
	8-97329-625-0	3404211-P301		03	A M18

Steering pillar and shaft

4-31

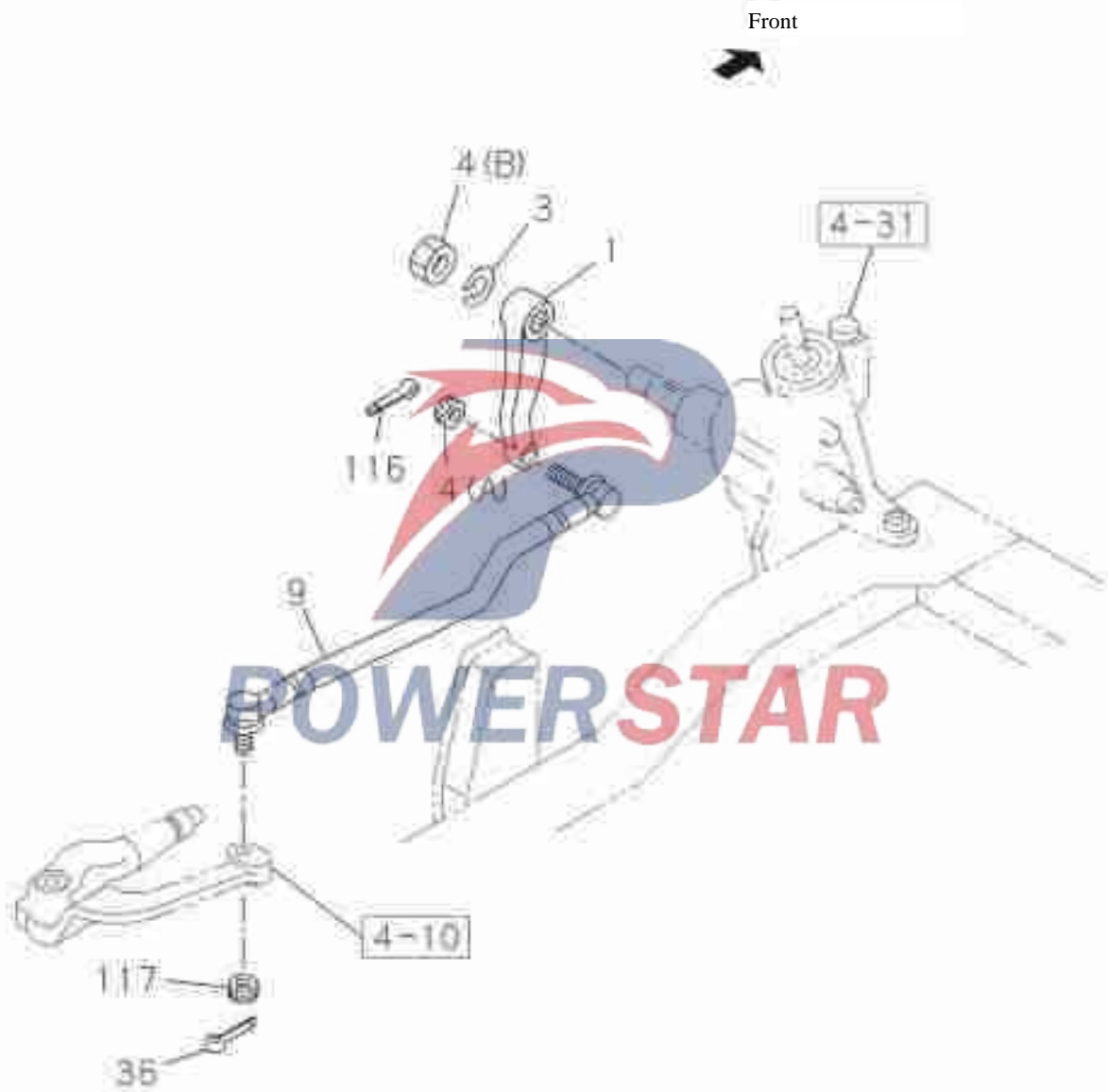
Figure No.

N/S	Recommended specification / name of part				Applicable models / applicable status / notes
	Isuzu figure No.	QingLing figure No.	Left/Right	Qty.	
172	Nut plate assembly-steering gear				
	8-98055-259-0			01 A	(B)
	8-98073-917-0			01 A	(A)
236	Switch				
	8-98045-350-0			01 A	
291	Pad nut - decorative strips				
	8-94463-268-1			04 A	(A)
	8-98029-442-1			02 A	(B)
296	Fastening nail				
	8-97856-0110-0			01 A	Black
348	Holder				
	1-09709-288-0			02 A	Inner diameter=5×-12 Length = 22

4-33

Steering straight rod

Figure No.



Steering straight rod

4-33

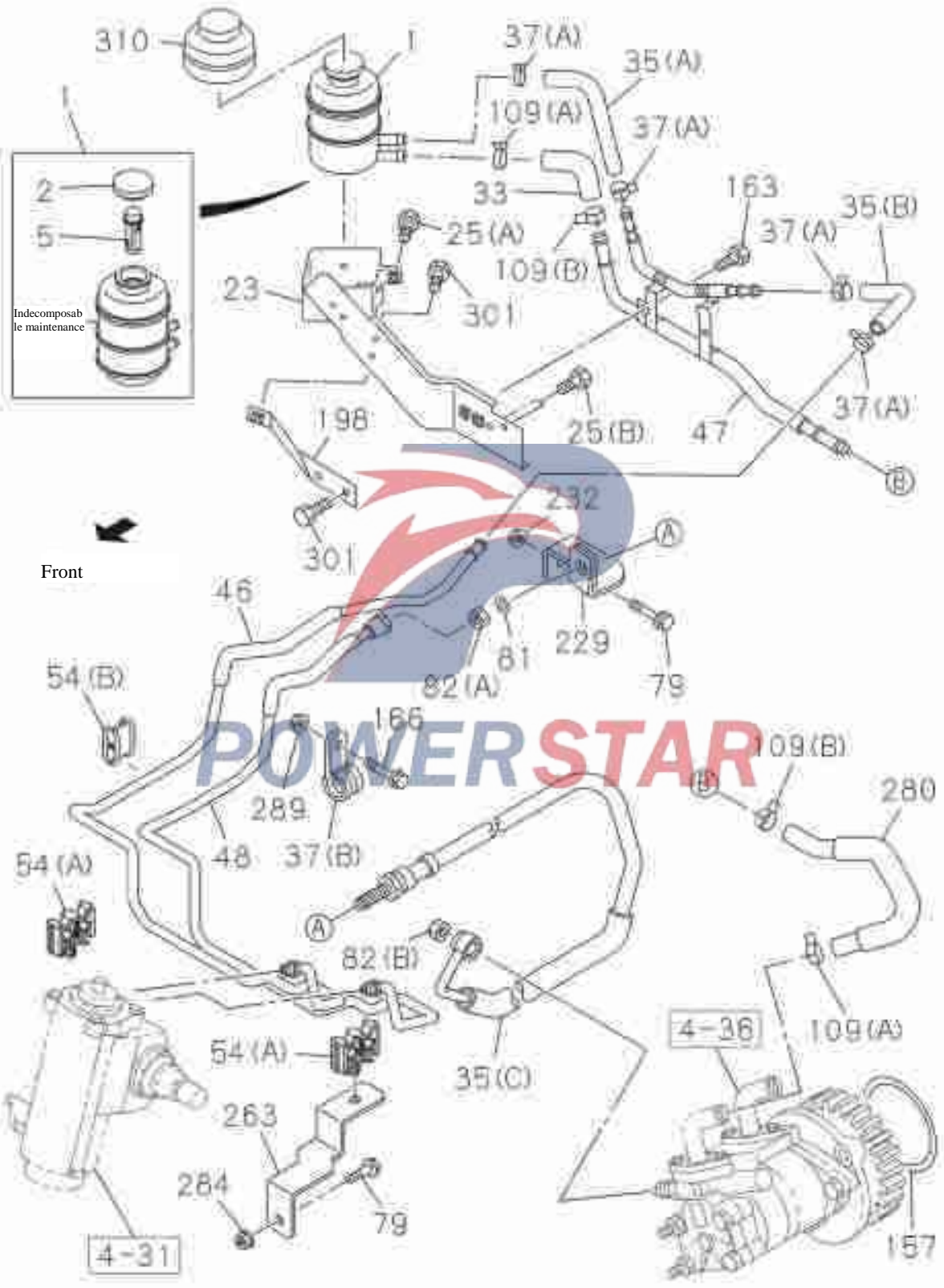
Figure No.

S/N	Recommended specification / name of part				
	Isuzu figure No.	QingLing figure No.	Left/Right	Qty.	Applicable models / applicable status / notes
					Single cab
1	----- Plumbing arm- drag links				
	8-97037-746-1	3003011-P301		01	A
3	----- Spring washer				
	0-91510-527-0	Q40327		01	A
4	----- Nut				
	8-97017-761-0	3003012-P301		01	A
					(A) M18 Groove
	8-97359-616-0	3003111-P301		01	A
9	----- Ball stud assembly				
	8-98006-794-1	3003030-P301		01	A
36	----- Split pin				
	8-97349-766-0	3003113-P301		01	A
					Length=19
116	----- Split pin				
	8-97349-766-0	3003113-P301		01	A
					Length=19
117	----- Nut				
	8-97245-632-0	3003112-P301		01	A

4-35

Booster brake pipelines-chassis side

Figure No.



Booster brake pipelines-chassis side

4-35

Figure No.

S/N	Recommended specification / name of part				Applicable models / applicable status / notes
	Isuzu figure No.	QingLing figure No.	Left/Right	Qty.	
1	Oil storage tank assembly				
	8-97107-987-0			01	A
2	Lining cap-storage tanks				
	8-94146-153-2			01	A
5	Strainer - storage tanks				
	8-97094-732-0			01	A
23	Bracket				
	8-98001-425-1	3412011-P301		01	A
25	Flange bolts				
	0-28450-620-0	Q1840620		01	A
					(A)
					M16×20
	0-28650-825-0	Q1840825		02	A
					(B)
					M8×25
33	Hose				
	8-97389-811-0			01	A
35	Hose				
	8-97389-832-2			01	A
					(C)

4-35

Booster brake pipelines-chassis side

Figure No.

N/S	Recommended specification / name of part				Applicable models / applicable status / notes	
	Isuzu figure No.	QingLing figure No.	Left/Right	Qty.	Single cab	
35	----- Hose					
	8-97389-842-1			01	A	(A)
	8-98000-701-1			01	A	(B)
37	----- Spring tube clamp- rubber hose					
	1-09701-236-0			01	A	Clip (B) Inner diameter=26 Length =26
	8-94238-568-0	3510101-44		04	A	(A) Inner diameter=16
46	----- Oil pipe assembly					
	8-98095-543-1			01	A	Length=2625
47	----- Pipe					
	8-98083-166-0			01	A	
48	----- Tube assembly					
	8-98095-541-1			01	A	Length=2830
54	----- Spring pipe clamp					
	8-97018-546-0	3506724-803		05	A	(A) Inner diameter=10×2 Height = 37.5
	8-94252-455-2	3406039-44		01	A	Pipe clamps - steering gear oil intake pipes and oil drain pipes (B) Inner diameter=10×2 Height = 22

Booster brake pipelines-chassis side

4-35

Figure No.

S/N	Recommended specification / name of part				Applicable models / applicable status / notes
	Isuzu figure No.	QingLing figure No.	Left/Right	Qty.	
79	----- Flange bolts				Single cab
	0-28650-825-0	Q1840825		01	A M8×25
81	----- Internal teeth serrated lock washer				
	0-91541-216-0	Q41016		01	A Inner diameter=16.5
82	----- Nut - rubber hose				
	8-94370-339-0	3406025-861		01	A (A) M16
	8-97028-390-1			01	A Nut (B) M12 Self-locking type
109	----- Pipe clamp				
	8-94242-034-0	1103946-44		03	A (B) Inner diameter=21
	8-94382-401-0	8101106-44		01	A Spring pipe clamp (A) Inner diameter=22
157	----- O-ring				
	8-97101-875-2			01	A Including in the major repair kit of engine

4-35

Booster brake pipelines-chassis side

Figure No.

N/S	Recommended specification / name of part				
	Isuzu figure No.	QingLing figure No.	Left/Right	Qty.	Applicable models / applicable status / notes
					Single cab
163	----- Flange bolts				
	0-28650-825-0	Q1840825		02	A M8×25
166	----- Flange bolts				
	0-28650-825-0	Q1840825		01	A M8×25
198	----- Bracket				
	8-97081-778-2	3412021-P301		01	A
229	----- Bracket				
	8-98079-341-0	3412051-P301		01	A
232	----- Hexagon flange nut				
	0-91180-110-0	Q32010		01	A M10
263	----- Bracket				
	8-98034-113-0	3412041-P301		01	A
280	----- Hose - pump				
	8-98082-972-0			01	A
284	----- Hexagon flange nut				
	0-91180-108-0	Q32008		01	A M8

Booster brake pipelines-chassis side

4-35

Figure No.

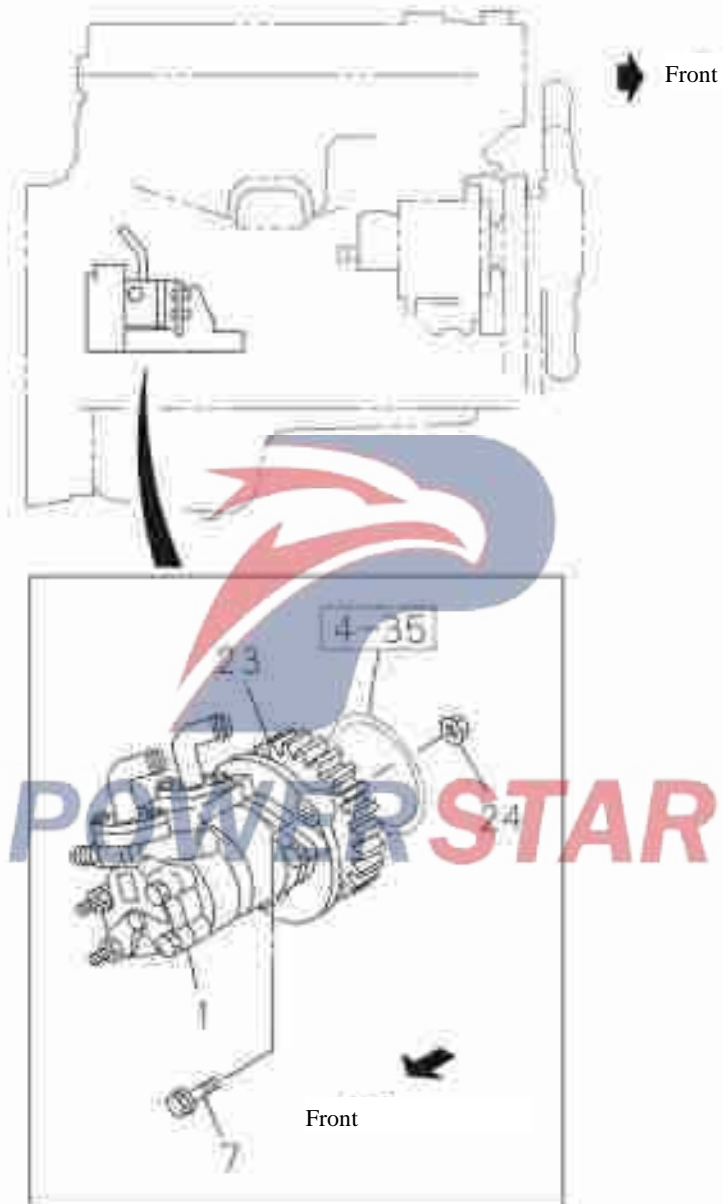
N/S	Recommended specification / name of part				Applicable models / applicable status / notes
	Isuzu figure No.	QingLing figure No.	Left/Right	Qty.	
289	Hexagon flange nut				Single cab
	0-91180-108-0	Q32008		01	A M8
301	Flange bolts				
	0-28650-825-0	Q1840825		02	A M8×25
310	Oil storage tank cap				
	8-97103-394-0			01	A



4-36

Booster brake pipelines-engine side

Figure No.



Booster brake pipelines-engine side

4-36

Figure No.

N/S	Recommended specification / name of part				Applicable models / applicable status / notes
	Isuzu figure No.	QingLing figure No.	Left/Right	Qty.	
1					Power steering pump Refer to Drawing No. 4-42
	8-98055-007-0			01	A
7					Bolt
	0-28751-030-0			02	A
					M10x30 Tape reel
23					Gear
	8-97114-550-1			01	A
24					Nut
	0-91180-212-0			01	A
					M12 Tape reel

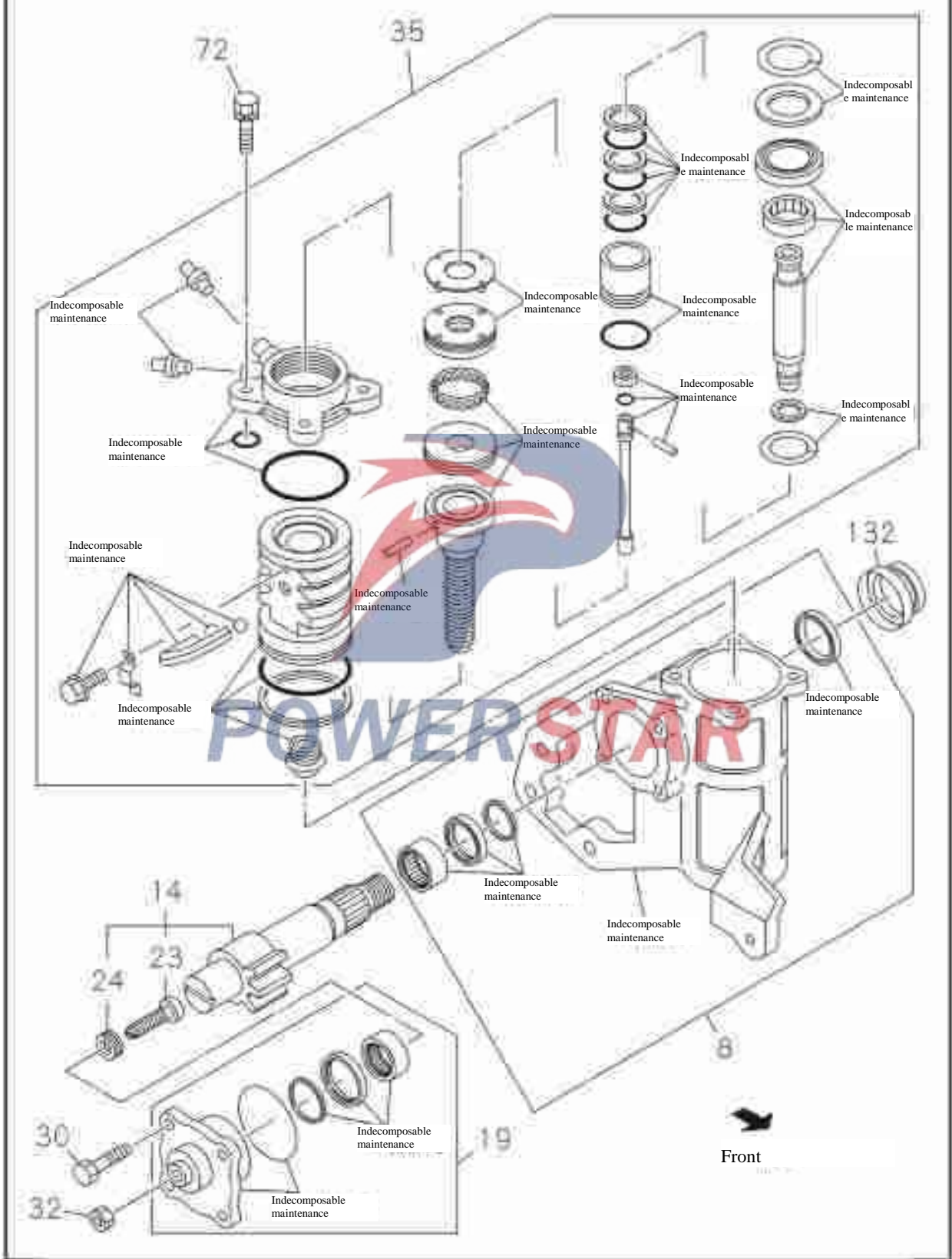


4-40

Steering gear

Figure No.

Decomposition body

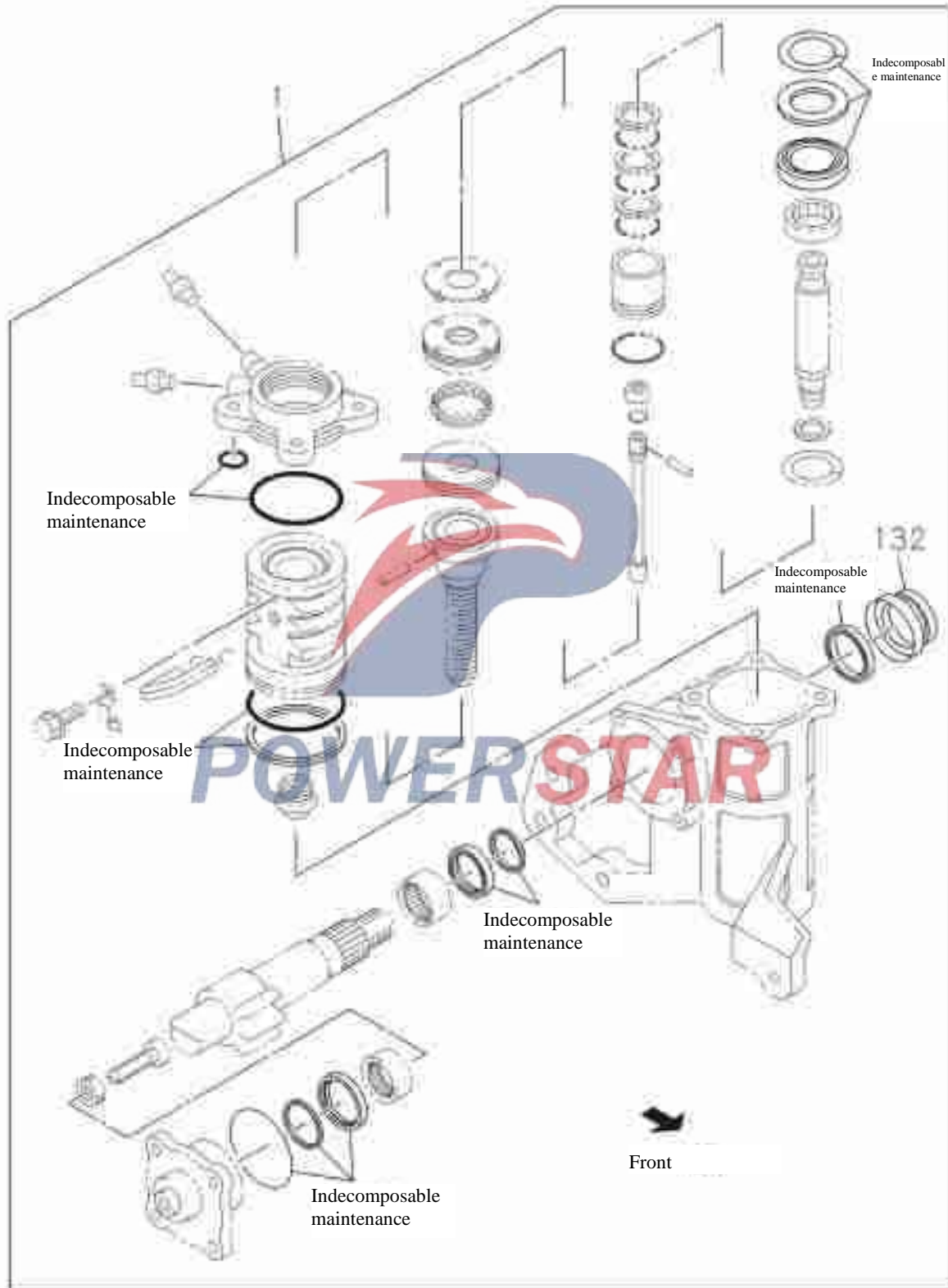


Steering gear

Repair kit

4-40

Figure No.



4-40

Steering gear

Figure No.

N/S	Recommended specification / name of part	
	Isuzu figure No. (Application date/interchangeability)	General drawing No./quantity note
		8980067535
1	Repair kit-steering gear	
	8-97264-442-0	01
8	Housing assembly-steering gear	
	8-98036-325-0	01
14	Splined shaft-steering gear	
	8-98036-332-0	01
19	Side cover-steering gear	
	8-98036-333-0	01
23	Adjusting screw-fan shaft	
	8-97014-842-0	01
24	Holder-fan shaft	
	8-97014-841-0	01
30	Bolt- sector shaft cap	
	8-98036-336-0	01
32	Nut - adjusting screw	
	8-98036-337-0	01

Steering gear

4-40

Figure No.

N/S	Recommended specification / name of part	
	Isuzu figure No. (Application date/interchangeability)	General drawing No./quantity note
35	----- Housing-screw assembly-steering gear	8-98036-329-1 01
72	----- Bolt-steering gear housing	8-98036-335-0 04
132	----- End cover-steering gear	8-97078-170-0 01



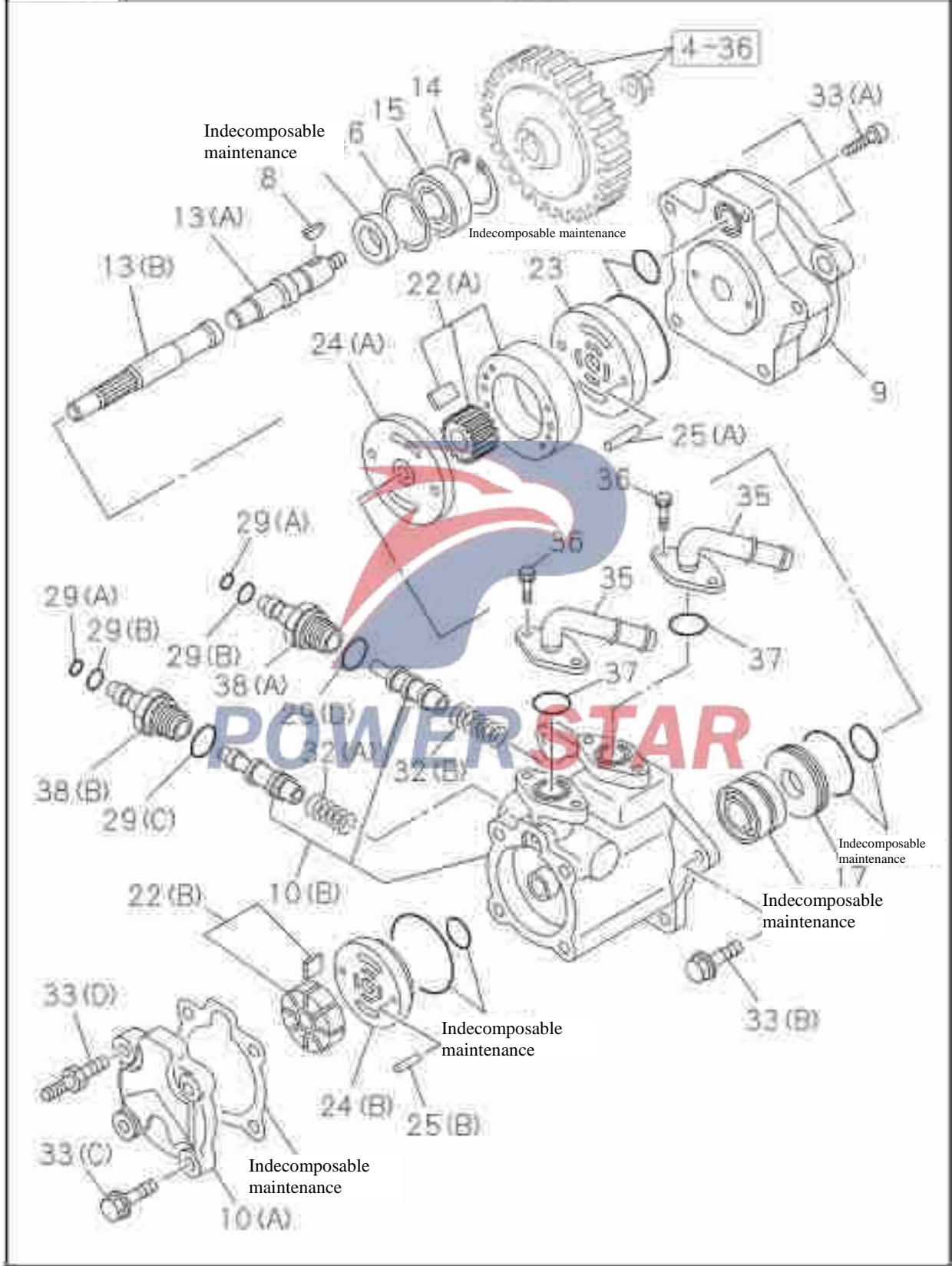
POWERSTAR

4-42

Power steering pump

Figure No.

Decomposition body

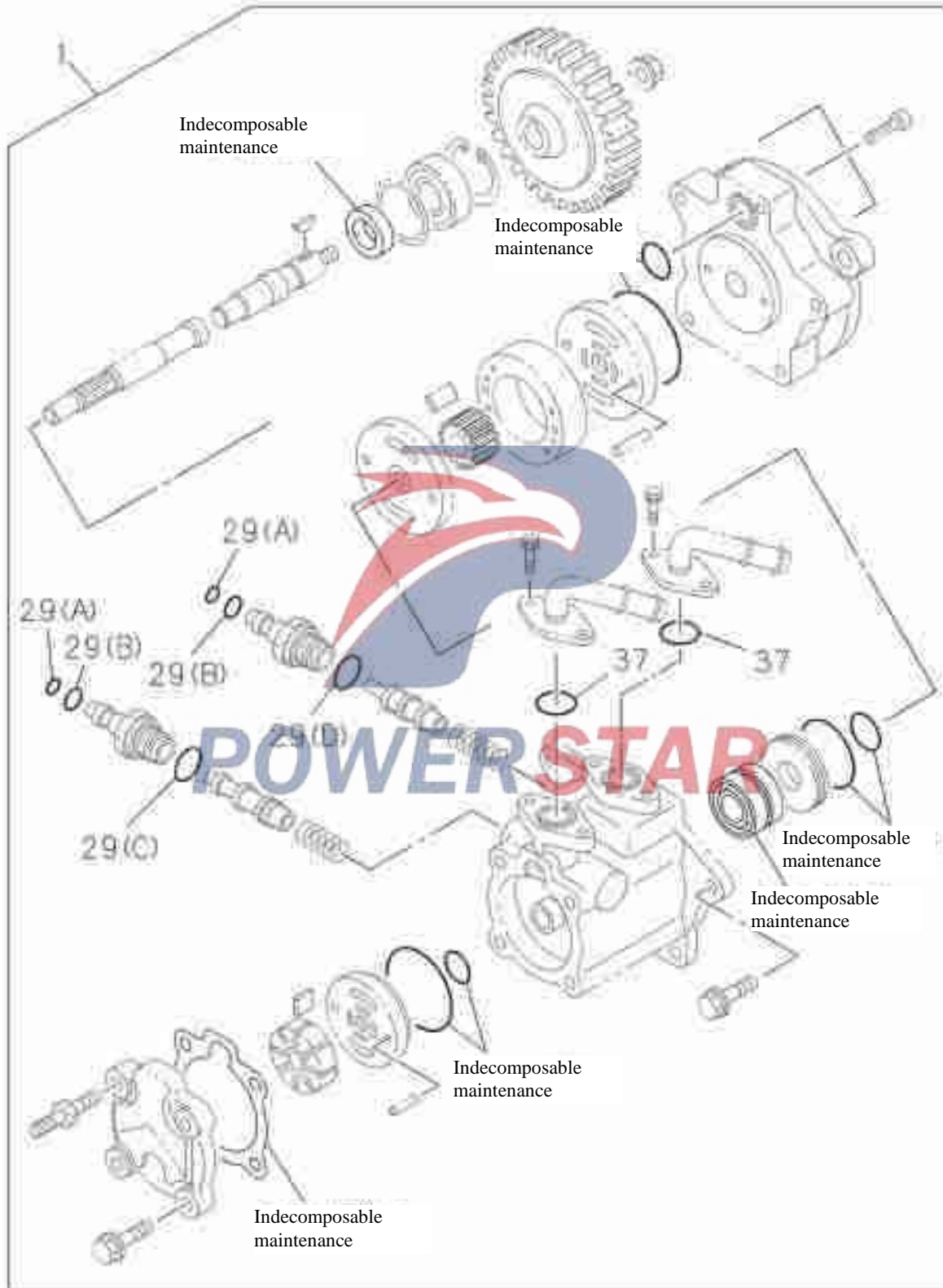


Power steering pump

4-42

Repair kit

Figure No.



4-42

Power steering pump

Figure No.

N/S	Recommended specification / name of part	
	General drawing No./quantity note	
	Isuzu figure No. (Application date/interchangeability)	8980550070
1	Repair kit-power steering pump	
	8-97182-111-0	01
8	Woodruff key-pump	
	9-19519-089-0	01
9	Front housing assembly - pump	
	8-97182-095-0	01
10	Rear housing assembly - pump	
	8-97182-097-0	01
		(B)
	8-97182-108-0	01
		(A)
13	Shaft - retaining ring	
	8-97182-096-0	01
		(A)
	8-97182-105-0	01
		(B)
14	Retaining ring-pump	
	1-19519-257-0	01
15	Bearing - pump	
	1-19519-264-0	01
16	Backing Ring-pump	
	1-19519-258-0	01

Power steering pump

4-42

Figure No.

N/S	Recommended specification / name of part	
	Isuzu figure No. (Application date/interchangeability)	General drawing No./quantity note
		8980550070
17	----- Bushing ring-retaining ring	
	8-97182-106-0	01
22	----- Pump core assembly-pump	
	8-97182-092-0	01
		(A)
	8-97182-102-0	01
		(B)
23	----- Side plate-pump	
	8-97182-094-0	01
24	----- Polar plate assembly	
	8-97182-093-0	01
		(A)
	8-97182-103-0	01
		(B)
25	----- Pin - pump	
	1-19519-052-0	02
		(A)
	8-97182-104-0	02
		(B)



POWERSTAR

4-42

Power steering pump

Figure No.

N/S	Recommended specification / name of part	
	Isuzu figure No. (Application date/interchangeability)	General drawing No./quantity note
		8980550070
29	O sealing gasket	
	9-09561-111-0	02 (A) Inner diameter=11.0
	9-09561-113-0	02 (B) Inner diameter=13.0
	9-48429-028-0	01 (C)
	9-88510-248-0	01 (D)
32	Spring - pump	
	9-94475-376-0	01 (A)
	9-19529-013-0	01 (B)
33	Bolt - cover	
	1-44519-119-0	04 (B)
	1-48119-054-0	02 (C)
	8-97182-100-0	01 (A)
	8-97182-110-0	02 (D)

Power steering pump

4-42

Figure No.

N/S	Recommended specification / name of part	
	Isuzu figure No. (Application date/interchangeability)	General drawing No./quantity note
		8980550070
35	Tube assembly	
	8-97258-420-0	02
36	Bolt -tube assembly	
	8-94461-139-4	04
37	O-ring	
	1-19519-292-0	02
38	Connector-pump	
	8-97182-098-0	01 (A)
	8-97182-109-0	01 (B)

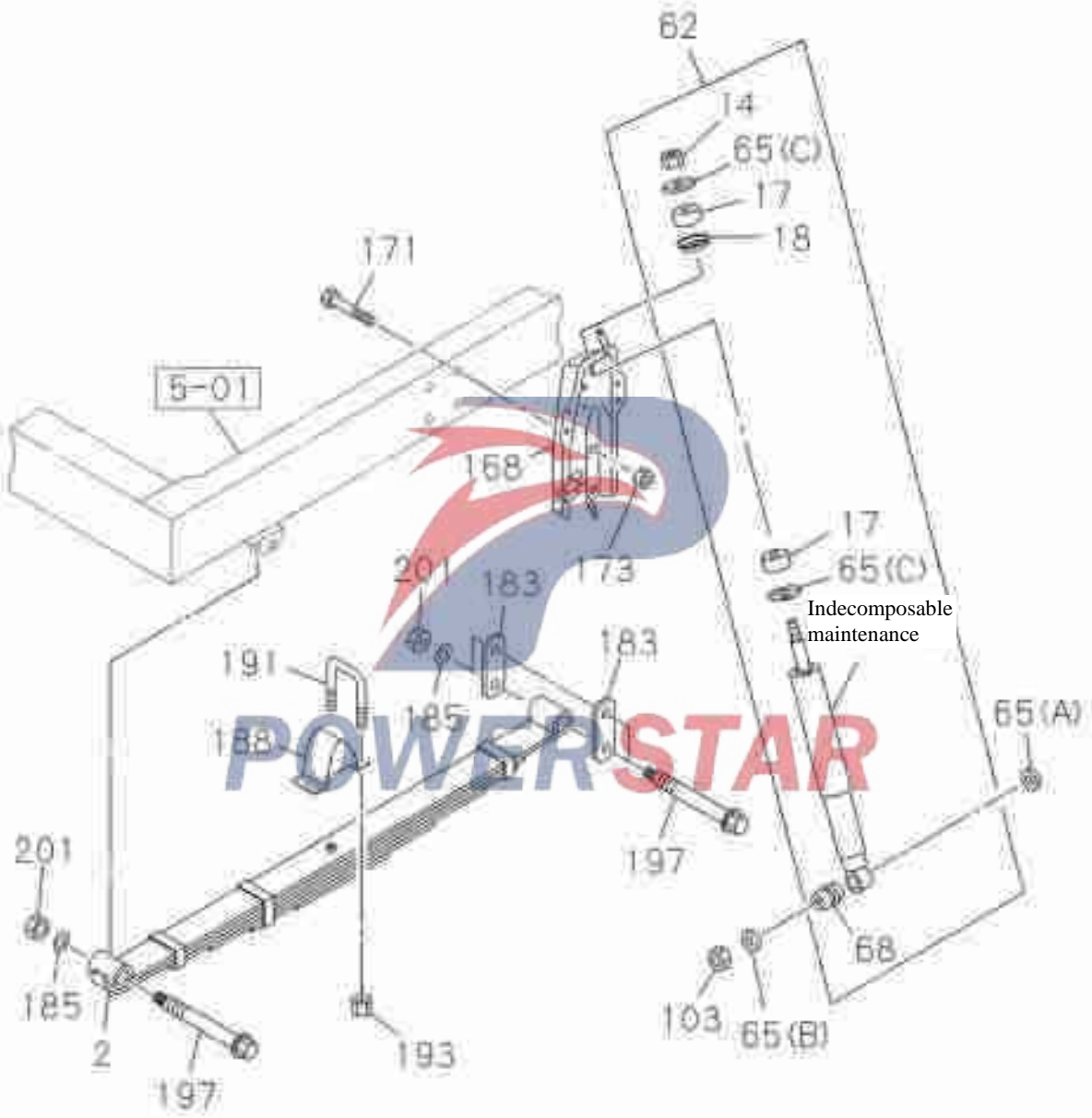


POWERSTAR

4-50

Front suspension

Figure No.



Front suspension

4-50

Figure No.

S/N	Recommended specification / name of part				Applicable models / applicable status / notes
	Isuzu figure No.	QingLing figure No.	Left/Right	Qty.	
					Single cab
2	Front leaf spring assembly				
					Refer to Drawing No. 4-55
	8-98079-923-0	2902020-P301	Right	01	A Straight frame type 8 sheets
	8-98079-924-0	2902010-P301	Left	01	A Straight frame type 8 sheets
14	Nut - upper part of shock absorber				
	9-09640-020-0			02	A M10 Thickness = 8
17	Rubber washer -shock absorber				
	9-51631-603-0			04	A
18	Washer -shock absorber				
	8-94412-791-0			02	A
62	Front shock absorber assembly				
	8-98080-129-0			02	A
65	Washer -shock absorber				
	0-91614-620-0	Q40120		02	A Flat washer (B) Inner diameter=21 Outer diameter=40
	8-97360-056-0	2915211-P301			Washer B- outside the front shock absorber (B) Inner diameter=15

4-50

Front suspension

Figure No.

N/S	Recommended specification / name of part				
	Isuzu figure No.	QingLing figure No.	Left/Right	Qty.	Applicable models / applicable status / notes
					Single cab
65	----- Washer -shock absorber				
	9-51631-614-0			04	A (C) Outer diameter = 40
68	----- Rubber bush-front shock absorber				
	8-94382-149-0			02	A
103	----- Nut				
	0-91110-514-0	Q341B14		02	A M14
168	----- Bracket assembly - front shock absorber				
	8-98015-001-0	2902140-P301	Left	01	A
	8-98015-002-0	2902150-P301	Right	01	A
171	----- Flange bolts				
	0-28651-235-0	Q1841235		08	A M12×35
173	----- Nut				
	8-97360-126-0	2902133-P301		08	A M12
183	----- Lifting lugs				
	8-94110-399-3	2902111-P301		04	A
185	----- Washer				
	8-98011-489-0	2912039-P301		06	A Spare parts state

Front suspension

4-50

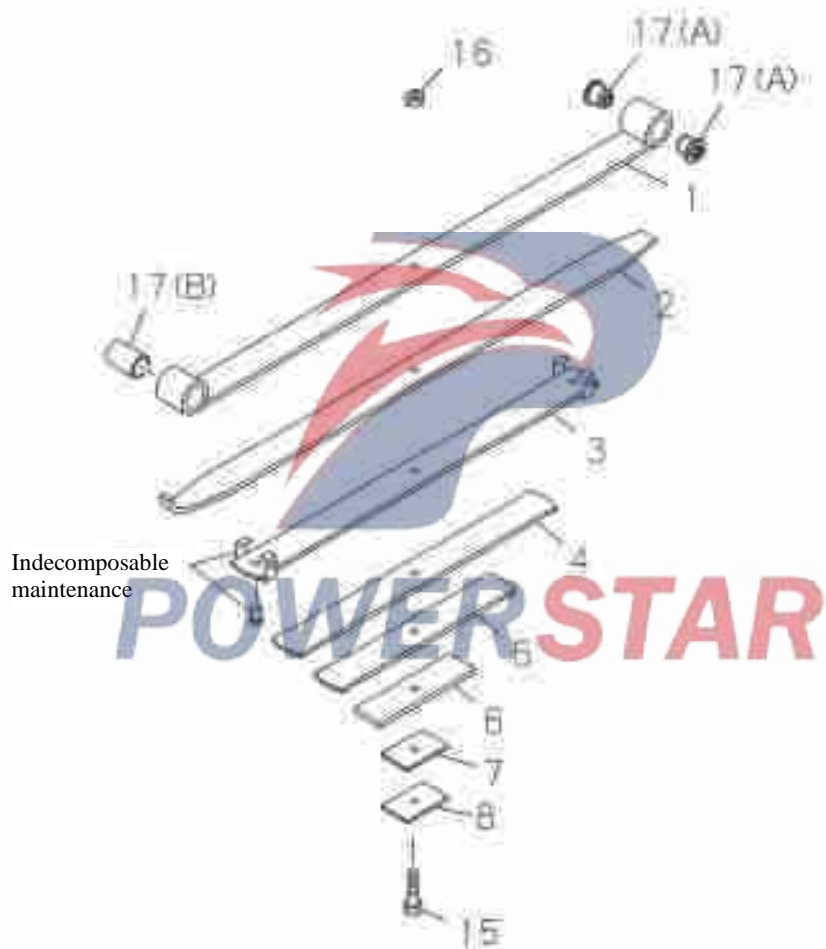
Figure No.

S/N	Recommended specification / name of part				
	Isuzu figure No.	QingLing figure No.	Left/Right	Qty.	Applicable models / applicable status / notes
					Single cab
188	----- Rubber bumper block assembly-front suspension				
	8-98033-516-0	2902230-P301		02	A Straight frame type
191	----- U-bolt-front steel plate spring				
		2902131-P301		04	A Straight frame type
193	----- Nut				
	8-97360-124-0	2902132-P301		08	A Straight frame type
197	----- Pin				
	8-98011-487-0	2912032-P301		06	A M14 Tape reel
201	----- Nut				
	0-91110-516-0	Q341B16		06	A M16

4-55

Spring of front steel plate

Figure No.



Spring of front steel plate

4-55

Figure No.

N/S	Recommended specification / name of part				Applicable models / applicable status / notes	
	Isuzu figure No.	QingLing figure No.	Left/Right	Qty.	A	B
					2902010-P301	2902020-P301
1	----- The 1st piece-front steel plate spring					
		2902011-P301	01	A		
		2902021-P301	01	B		
2	----- The 2nd piece-front steel plate spring					
		2902012-P301	01	A		
		2902022-P301	01	B		
3	----- The 3rd piece-front steel plate spring					
		2902013-P301	01	A		
		2902023-P301	01	B		
4	----- The 4th piece-front steel plate spring					
		2902014-P301	01	A		
		2902024-P301	01	B		
5	----- The 5th piece-front steel plate spring					
		2902015-P301	01	A		
		2902025-P301	01	B		
6	----- The 6th piece-front steel plate spring					
		2902016-P301	01	A		
		2902026-P301	01	B		
7	----- The 7th piece-front steel plate spring					
		2902017-P301	01	A		
		2902027-P301	01	B		

4-55

Spring of front steel plate

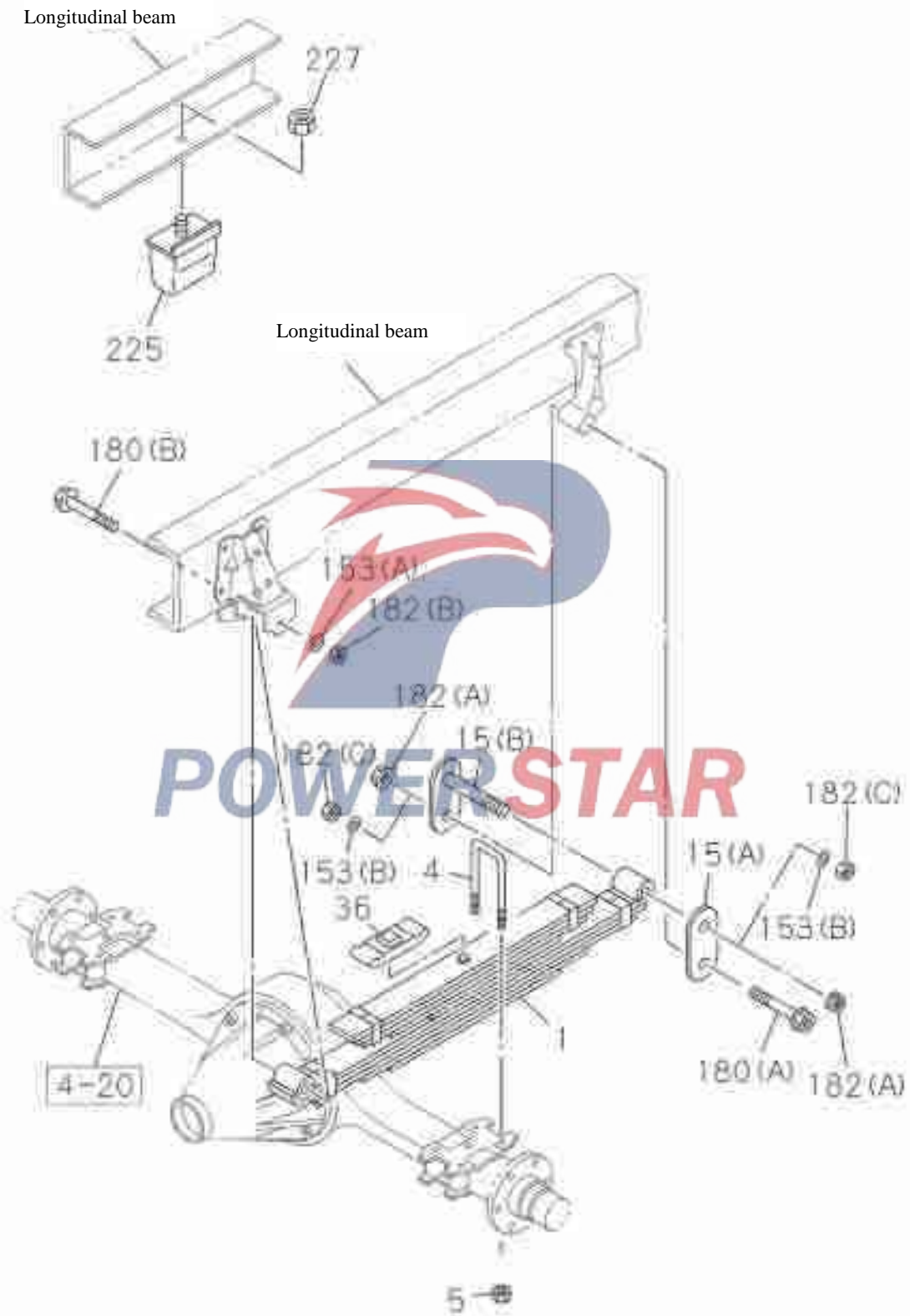
Figure No.

N/S	Recommended specification / name of part				Applicable models / applicable status / notes	
	Isuzu figure No.	QingLing figure No.	Left/Right	Qty.	A	B
					2902010-P301	
					2902020-P301	
8	----- The 8th piece-front steel plate spring					
		2902018-P301		01	A	
		2902028-P301		01	B	
15	----- Central bolt-front steel plate spring					
		2902035-P301		01	A B	
16	----- Central nut-front steel plate spring					
		2902036-P301		01	A B	
17	----- Bushing					
		2902031-10	Left	04	A B	(A) Outer diameter =40 Length=43.7
		2902032-P301	Right	02	A B	(B) Outer diameter =42 Length=81

Rear suspension

4-60

Figure No.



4-60

Rear suspension

Figure No.

N/S	Recommended specification / name of part				
	Isuzu figure No.	QingLing figure No.	Left/Right	Qty.	Applicable models / applicable status / notes
					Single cab
1	----- Rear leaf spring assembly				
					Refer to Drawing No. 4-65
		2912010-P301		02	A Straight frame type
					16 sheets
4	----- U-bolt-rear steel plate spring				
		2912035-P301		04	A Straight frame type
5	----- Nut - rear U-bolt				
	1-09440-039-1	2912036-P301		08	A Straight frame type
					M18 Tape reel
15	----- Shackle plate-rear suspension				
	8-94118-511-3	2912132-P301		02	A (A)
	8-97360-011-0	2912038-P301		02	A Lifting lugs assembly-rear suspension
					(B)
36	----- Cover				
	1-51372-059-0	2912037-P301		02	A Straight frame type
153	----- Washer				
	8-98011-489-0	2912039-P301		04	A (B)
	8-97360-119-0	2912033-P301		02	A Spring washer-rear leaf spring pin installation
					(A)

Rear suspension

4-60

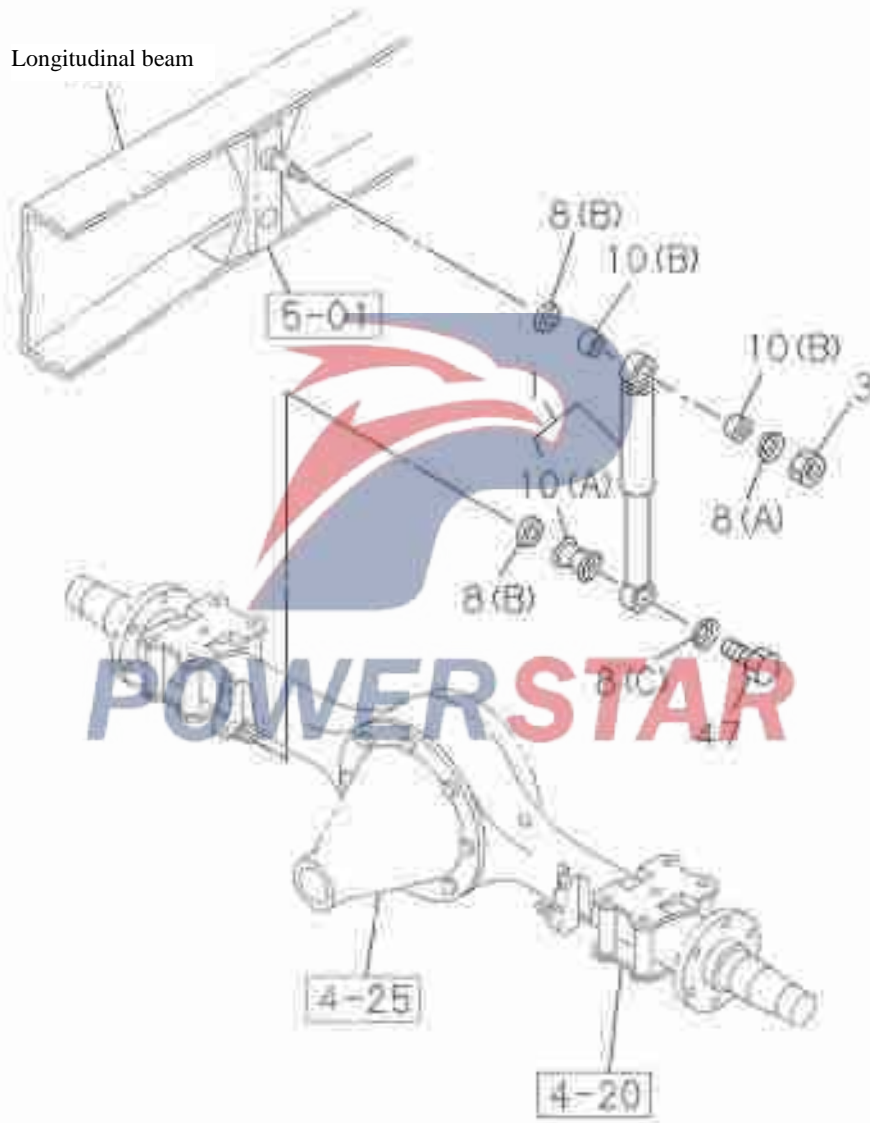
Figure No.

S/N	Recommended specification / name of part				
	Isuzu figure No.	QingLing figure No.	Left/Right	Qty.	Applicable models / applicable status / notes
					Single cab
180	Pin				
	8-98011-487-0	2912032-P301		02	A
					(A)
	8-98011-488-0	2912031-P301		02	A Bolt
					(B)
182	Nut				
	8-98011-516-0	Q341B16		04	A
					(C) M16
	0-91110-518-0	Q341B18		02	A
					(B) M18
225	Rubber bumper block assembly-rear suspension				
	8-94379-470-1	2912210-P301		02	A
227	Hexagon flange nut				
	0-91180-112-0	Q32012		02	A
					M12

4-61

Rear shock absorber

Figure No.



Rear shock absorber

4-61

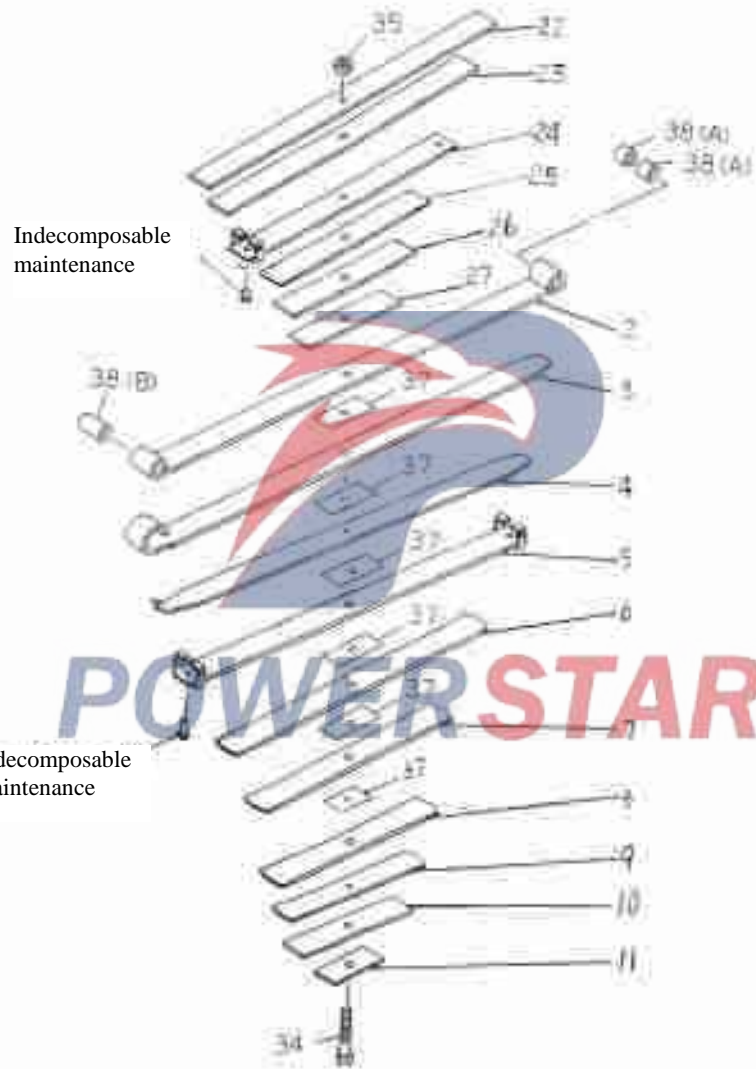
Figure No.

N/S	Recommended specification / name of part				Applicable models / applicable status / notes
	Isuzu figure No.	QingLing figure No.	Left/Right	Qty.	
					Single cab
1	Rear shock absorber installation				
	8-98079-868-0			02	A Straight frame type
3	Nut				
	0-91110-514-0	Q341B14T13F2		02	A M14
8	Washer - outside the shock absorber				
	8-97360-056-0	2915211-P301		02	A (B) Inner diameter=15
	8-97360-057-0	2915212-P301		04	A Washer A-outside the shock absorber
	8-97360-058-0	2915213-P301		02	A (A) (C)
10	Rubber sleeve-rear shock absorber assembly				
	8-94382-149-0			02	A Straight frame type (A)
	9-51631-014-0			04	A (B)
47	Flange bolts				
	0-28651-020-0	Q1841020		02	A M10*20

4-65

Rear steel plate spring

Figure No.



Rear steel plate spring

4-65

Figure No.

N/S	Recommended specification / name of part			
	Isuzu figure No.	QingLing figure No.	Left/Right	Qty.
				Applicable models / applicable status / notes 2912010-P301
2				The 1st piece-rear steel plate spring 2912011-P301 01 A
3				The 2nd piece-rear steel plate spring 2912012-P301 01 A
4				The 3rd piece-rear steel plate spring 2912013-P301 01 A
5				The 4th piece-rear steel plate spring 2912014-P301 01 A
6				The 5th piece-rear steel plate spring 2912015-P301 01 A
7				The 5th piece-rear steel plate spring 2912016-P301 01 A
8				The 7th piece-rear steel plate spring 2912017-P301 01 A
9				The 8th piece-rear steel plate spring 2912018-P301 01 A
10				The 9th piece-rear steel plate spring 2912019-P301 01 A
11				The 10th piece-rear steel plate spring 2912021-P301 01 A

4-65

Rear steel plate spring

Figure No.

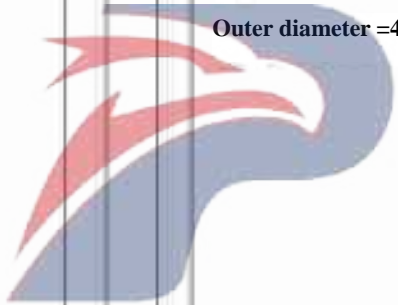
N/S	Recommended specification / name of part				Applicable models / applicable status / notes
	Isuzu figure No.	QingLing figure No.	Left/Right	Qty.	
22	-----	The 1st piece-rear steel plate spring			
		2912022-P301	01	A	
23	-----	The 2nd piece-rear steel plate spring			
		2912023-P301	01	A	
24	-----	The 3rd piece-rear steel plate spring			
		2912024-P301	01	A	
25	-----	The 4th piece-rear steel plate spring			
		2912025-P301	01	A	
26	-----	The 5th piece-rear steel plate spring			
		2912026-P301	01	A	
27	-----	The 6th piece-rear steel plate spring			
		2912027-P301	01	A	
34	-----	Central bolt-rear steel plate spring			
		2912028-P301	01	A	
35	-----	Central nut-rear steel plate spring			
		2912029-P301	01	A	
37	-----	Nylon gasket-rear steel plate spring			
		2912051-P301	06	A	

Rear steel plate spring

4-65

Figure No.

N/S	Recommended specification / name of part			
	Isuzu figure No.	QingLing figure No.	Left/Right	Qty.
				Applicable models / applicable status / notes 2912010-P301
38	----- Bushing - rear steel plate spring			
	2912041-P301		01	A (B) Outer diameter =42 Length=81
	2912042-P301		02	A (A) Outer diameter =40 Length=43.7



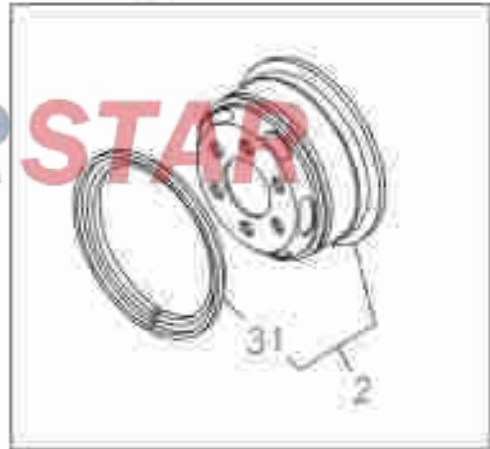
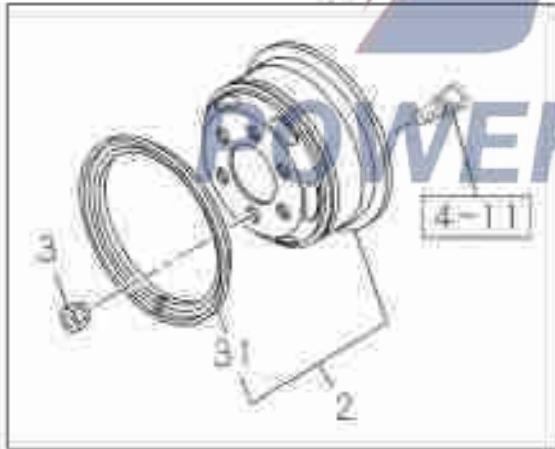
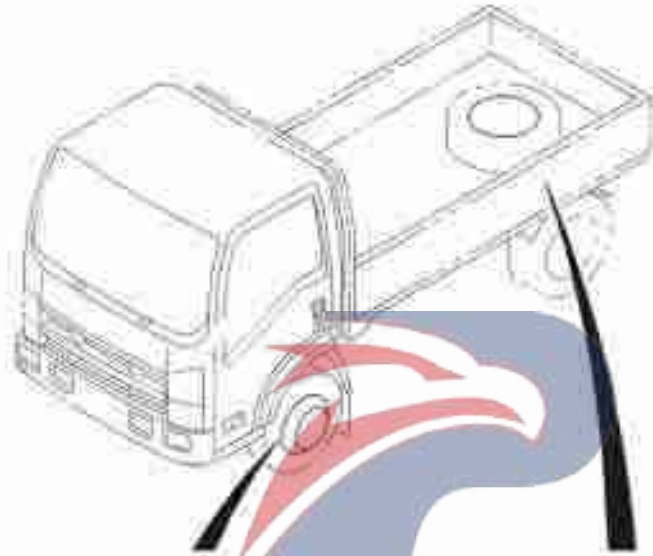
POWERSTAR

4-80

Wheel

Figure No.

Front tire and spare tire

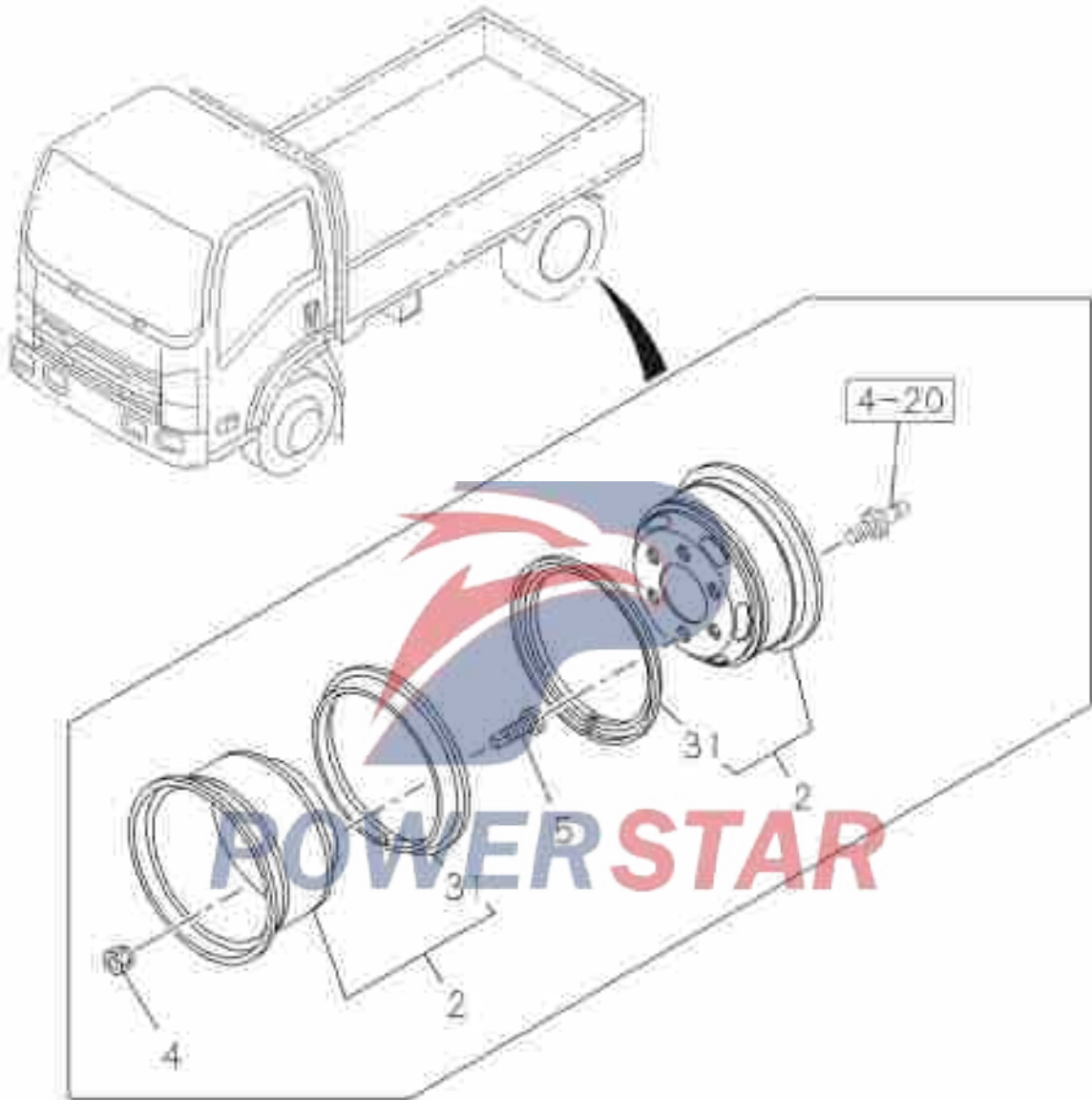


Wheel

Rear wheel

4-80

Figure No.



4-80

Wheel

Figure No.

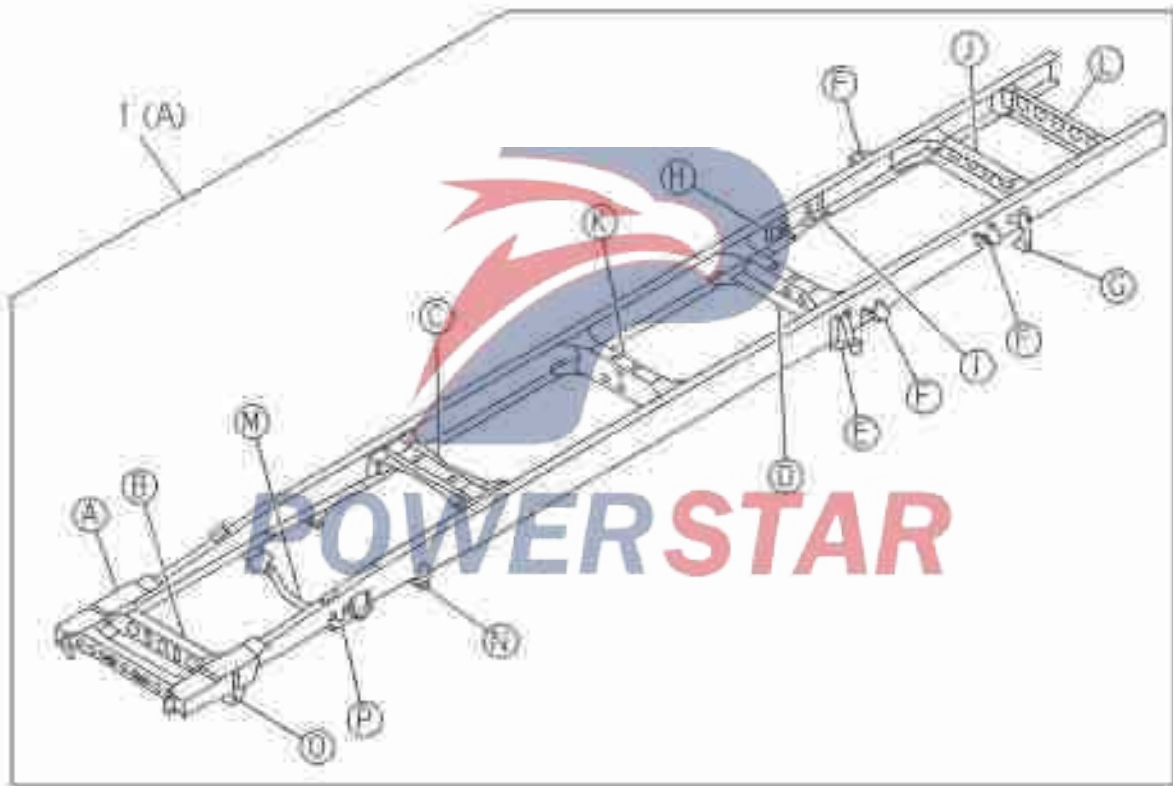
N/S	Recommended specification / name of part				
	Isuzu figure No.	QingLing figure No.	Left/Right	Qty.	Applicable models / applicable status / notes
					Single cab
2	Steel ring assembly				
	1-42350-417-0	3101210-P301		01	A Spare tire
	1-42350-417-0	3101210-P301		06	A Front, rear wheel
3	Wheel nut-front wheel				
	8-97359-807-0	3103121-P301	Right	06	A M20 Right thread
	8-97359-808-0	3103111-P301	Left	06	A M20 Left screw threads
4	Wheel outer nut-rear wheel				
	8-97359-809-0	3104141-P301	Right	06	A M30 Right thread
	8-97359-810-0	3104131-P301	Left	06	A M30 Left screw threads
5	Rear inner wheel nut-rear wheel				
	8-97359-805-0	3104121-P301	Right	06	A Outside M30 inside 20 right thread
	8-97359-806-0	3104111-P301	Left	06	A Outside M30 inside 20 left thread
31	Retainer ring assembly				
	1-42355-015-2	3101220-P301		01	A Spare tire
	1-42355-015-2	3101220-P301		06	A Front, rear wheel

5-01

Car frame and other components

Figure No.

Car frame assembly (NO .1)

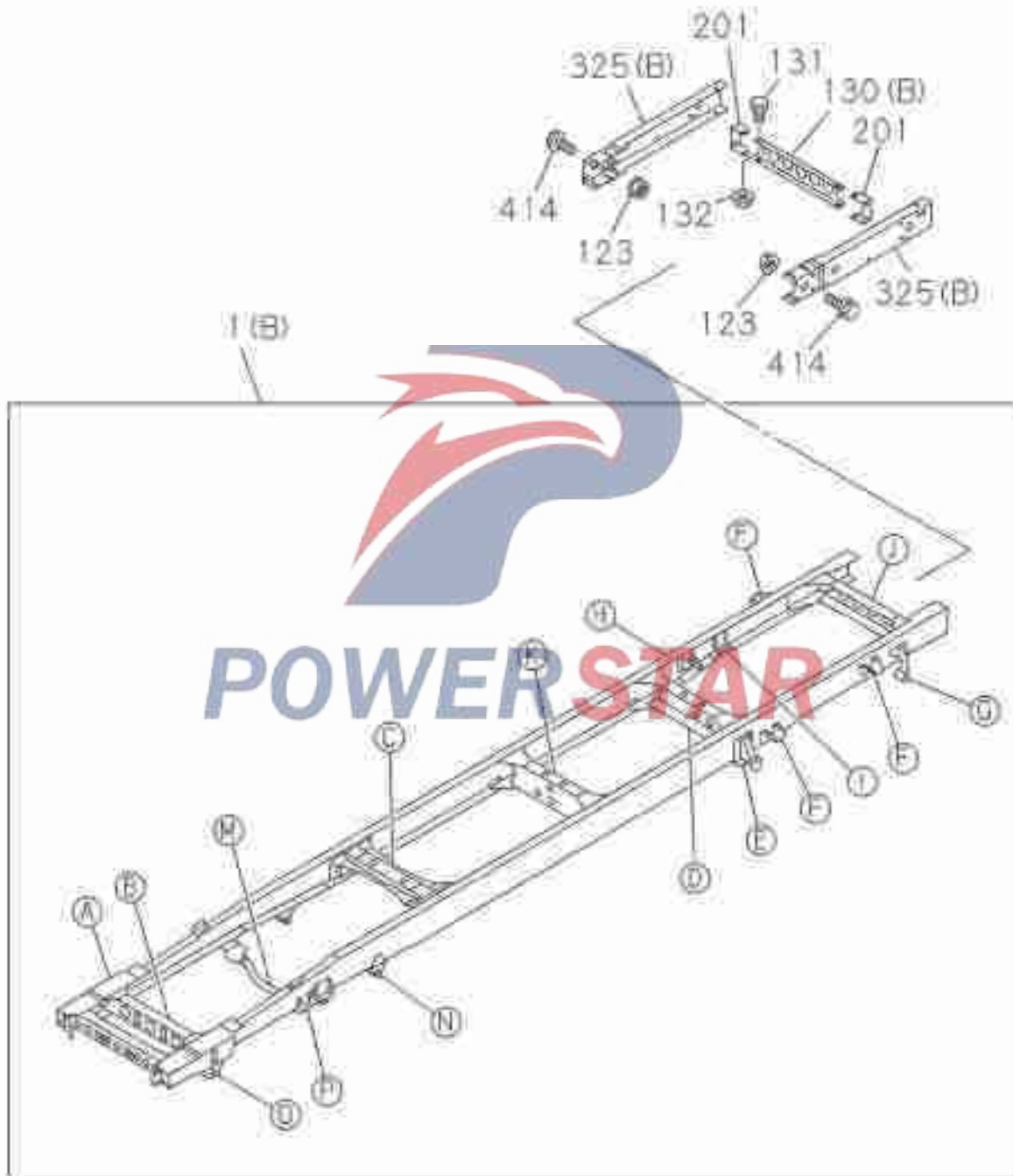


Car frame and other components

5-01

Crossbeam and bracket (NO .2)

Figure No.

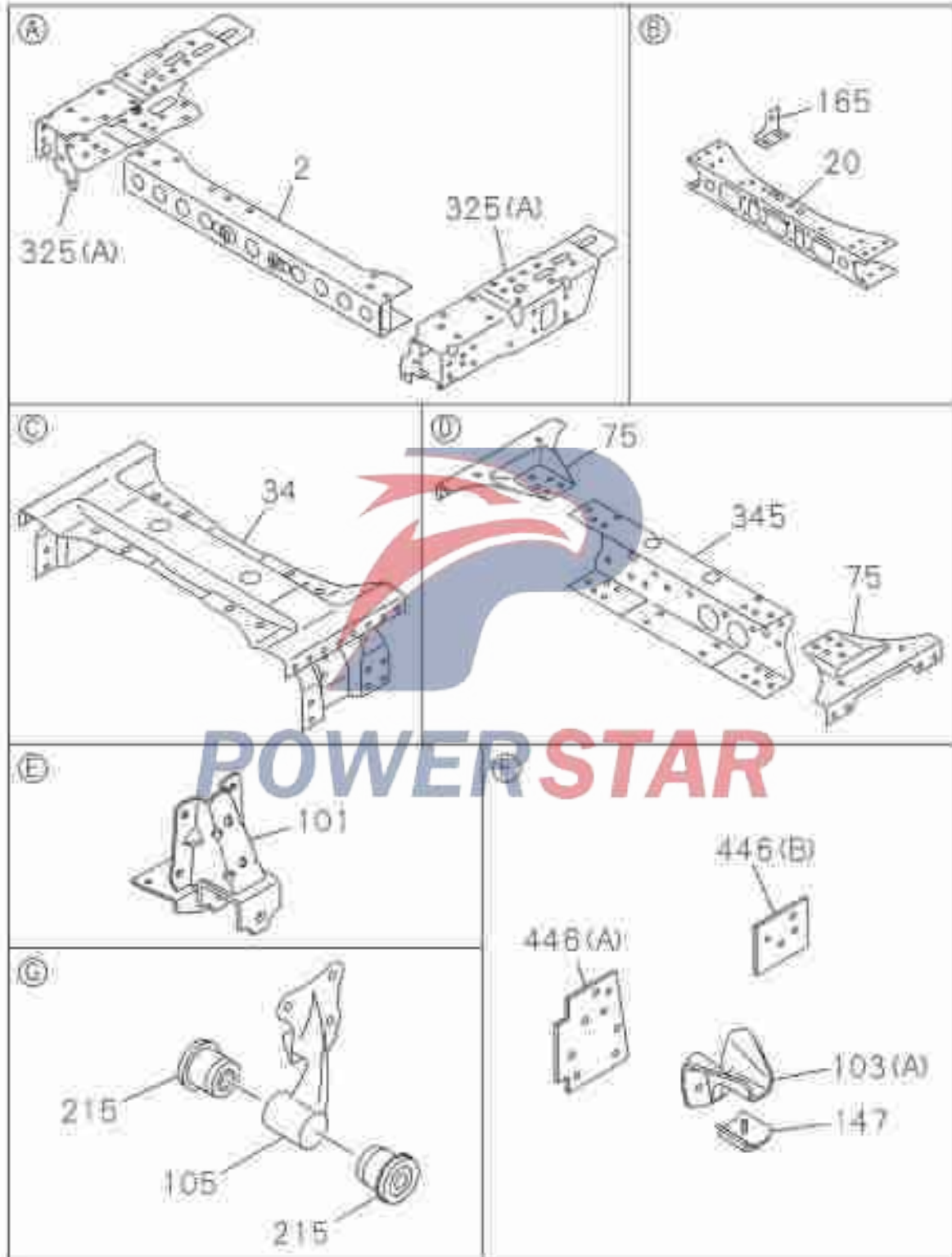


5-01

Car frame and other components

Figure No.

Crossbeam and bracket (NO .1)

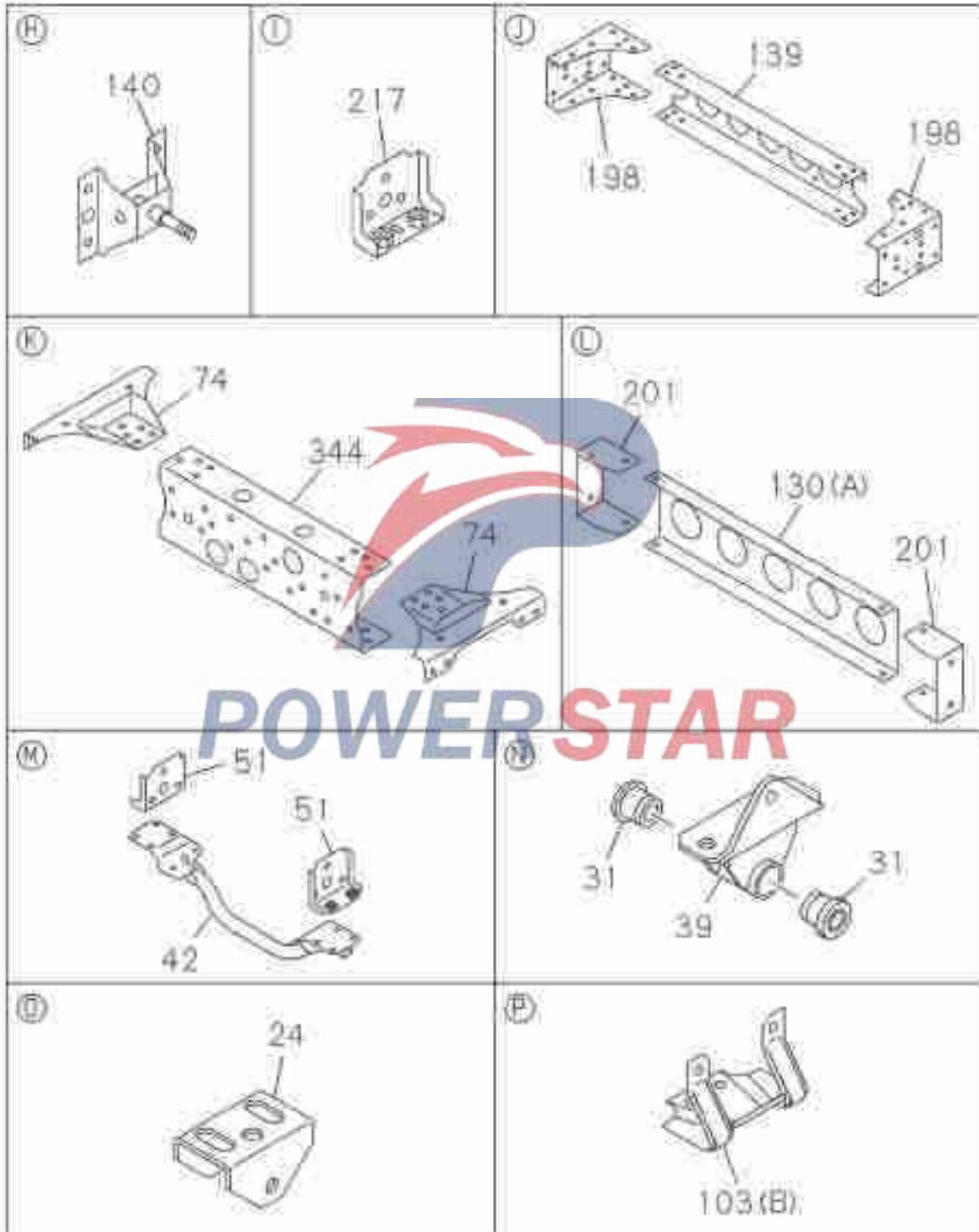


Car frame and other components

5-01

Crossbeam and bracket (NO .2)

Figure No.



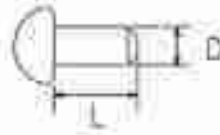
5-01

Car frame and other components

Figure No.

Rivets, bolts, nuts

DXL



SIZE	D8X28	D10X24	D10X28	D10X28	D10X32
KEY NO.	376(A)	376(B)	376(C)	376(D)	376(E)

SIZE	D10X36	D11X30	D12X30	D12X36	D12X40
KEY NO.	376(F)	376(G)	376(H)	376(I)	376(J)

MXL



SIZE	M8X20	M10X25	M10X30
KEY NO.	221	176	296

POWERSTAR



SIZE	M8
KEY NO.	118



SIZE	M10
KEY NO.	67

Car frame and other components

5-01

Figure No.

N/S	Recommended specification / name of part				Applicable models / applicable status / notes	
	Isuzu figure No.	QingLing figure No.	Left/Right	Qty.		
						Single cab
1	Car frame assembly					
	8-98071-663-0	2800010-P303		01	A	Only for wheelbase 4175mm models Straight frame type (B)
	8-98084-823-2	2800010-P304		01	A	Only for wheelbase 3815mm models Straight frame type (A)
	8-98073-963-2	2800010-P301		01	A	Only for wheelbase 4475mm models Straight frame type (B)
		2800010-P302		01	A	Only for wheelbase 5200mm models Straight frame type (B)
		2800010-X301		01	A	Only for wheelbase 4475mm models Straight frame type (B)
2	1st cross beam assembly					
	8-97387-866-3	2801050-P301		01	A	(B)
20	2nd cross beam assembly					
	8-98014-074-3	2801110-P301		01	A	
24	Front spring front bracket					
	8-98015-274-0	2801410-P301		02	A	

5-01

Car frame and other components

Figure No.

S/N	Recommended specification / name of part				
	Isuzu figure No.	QingLing figure No.	Left/Right	Qty.	Applicable models / applicable status / notes
					Single cab
31	----- Rear spring rear bushing assembly				
	8-97184-699-1	2912030-15		04	A
34	----- 3rd beam cross assembly				
	8-98072-038-0	2801210-P301		01	A
39	----- Rear bracket assembly - front leaf spring				
	8-98014-125-0	2801430-P301		02	A
42	----- Engine mounting beam assembly				
	8-98032-389-0	2801160-P301		01	A
51	----- Engine suspension outer bracket assembly				
	8-98034-961-0	2801630-P301		02	A
67	----- Hexagon flange nut				
	0-91180-210-0	Q32010T13F2		13	A
					M10
74	----- Connection board				
	0-98000-583-0	2801253-P301		02	A
					Right lower and left upper
	8-98000-584-0	2801254-P301		02	A
					Right upper and left lower

Car frame and other components

5-01

Figure No.

N/S	Recommended specification / name of part				
	Isuzu figure No.	QingLing figure No.	Left/Right	Qty.	Applicable models / applicable status / notes
					Single cab
75	----- Connection board				
	8-98000-583-0	2801253-P301		02	△ Right upper and left lower
	8-98000-584-0	2801254-P301		02	△ Right lower and left upper
101	----- Front bracket assembly - rear steel plate spring				
	8-97042-245-1	2801450-P301		02	△
103	----- Bracket assembly-front bumper block				
	8-97079-659-1	2801150-P301		02	△
	8-97223-748-0	2801511-15		04	△ (B) Siding spring bracket (A)
105	----- Rear bracket assembly - rear leaf spring				
	8-98032-488-0	2801470-P301	左	01	△
	8-98032-489-0	2801480-P301	右	01	△
118	----- Hexagon flange nut				
	8-91370-008-0	Q32008		02	△ M8 With sawtooth
123	----- Nut				
	8-97360-126-0	2902133-P301		16	△ M12

5-01

Car frame and other components

Figure No.

S/N	Recommended specification / name of part				Applicable models / applicable status / notes
	Isuzu figure No.	QingLing figure No.	Left/Right	Qty.	
130	----- Rear, tail beam				
	8-97080-872-0	2801192-P301	01	A	Straight frame type (A)
		2801190-P301	01	A	Rear, tail beam assembly (B)
131	----- Flange bolts				
	0-28661-025-0	Q1841025T	08	A	M10x25
132	----- Hexagon flange nut				
	0-91180-110-0	Q32010	08	A	M10
139	----- The 6th cross beam				
	8-97107-384-0	2801331-P301	01	A	
140	----- Bracket assembly, shock absorber (RR)				
	8-97080-884-0	2801710-P301	02	A	
147	----- Glue cushion assembly- auxiliary spring				
	8-97254-387-0	2801530-15	04	A	
165	----- Radiator bracket				
	8-98000-886-0	2801165-P301	01	A	

Car frame and other components

5-01

Figure No.

S/N	Recommended specification / name of part				
	Isuzu figure No.	QingLing figure No.	Left/Right	Qty.	Applicable models / applicable status / notes
					Single cab
176	Hexagon flange bolt				
	0-28051-025-0	Q1841025		08	A M10×25
198	Bracket joints-NO.6 cross beam				
	8-98014-079-1	2801332-P301		02	A
201	Bracket - rear, tail beam				
	8-97096-871-0	2801191-P301		02	A Straight frame type
215	Rear spring rear bushing assembly				
	8-97184-699-1	2912030-15		04	A
217	Holder - rear bumper block				
	8-97202-417-0	2801630-10		02	A
221	Hexagon flange bolt				
	0-28650-820-0	Q1840820		02	A M8×20
296	Hexagon flange bolt				
	0-28651-030-0	Q1841030		16	A M10×30

5-01

Car frame and other components

Figure No.

S/N	Recommended specification / name of part				
	Isuzu figure No.	QingLing figure No.	Left/Right	Qty.	Applicable models / applicable status / notes
					Single cab
325	----- Extending plate				
	8-97222-891-0	2803131-P303	Right	01	A Only for wheelbase 4175mm models (B)
	8-97222-892-0	2803132-P303	Left	01	A Only for wheelbase 4175mm models (B)
	8-97128-752-2	2801131-P301	Right	01	A Only for wheelbase 4475mm models (B)
	8-97128-753-2	2801132-P301	Left	01	A Only for wheelbase 4475mm models (B)
	8-98073-346-0	2801551-P301	Left	01	A Extended beam (A)
	8-98073-347-1	2801561-P301	Right	01	A Extended beam (A)
		2801131-P302	Right	01	A Only for wheelbase 5200mm van vehicle (B)
		2801132-P302	Left	01	A Only for wheelbase 5200mm van vehicle (B)
		2801131-P304	Right	01	A Only for wheelbase 3815mm models (B)
		2801132-P304	Left	01	A Only for wheelbase 3815mm models (B)
		2801131-X301	Right	01	A Only for wheelbase 4457mm van vehicle (B)
		2801132-X301	Left	01	A Only for wheelbase 4457mm van vehicle (B)

Car frame and other components

5-01

Figure No.

S/N	Recommended specification / name of part				
	Isuzu figure No.	QingLing figure No.	Left/Right	Qty.	Applicable models / applicable status / notes
					Single cab
344	----- The 4th, 5th cross member assembly				
	8-97175-993-3	2801250-P301		01	A
345	----- The 4th, 5th cross member assembly				
	8-97175-993-3	2801250-P301		01	A
376	----- Rivet-frame				
		Q4501022		As required	A
					(A)
					D10×22
	9-06751-024-0	Q4501024		As required	A
					(B)
					D10×24
	9-06751-026-0	Q4501026		As required	A
					(C)
					D10×26
	9-06751-028-0	Q4501028		As required	A
					(D)
					D10×28
	9-06751-032-0	Q4501032		As required	A
					(E)
					D10×32
	9-06751-036-0	Q4501036		As required	A
					(F)
					D10×36
	9-06751-130-0	Q4501130		As required	A
					(G)
					D11×30

5-01

Car frame and other components

Figure No.

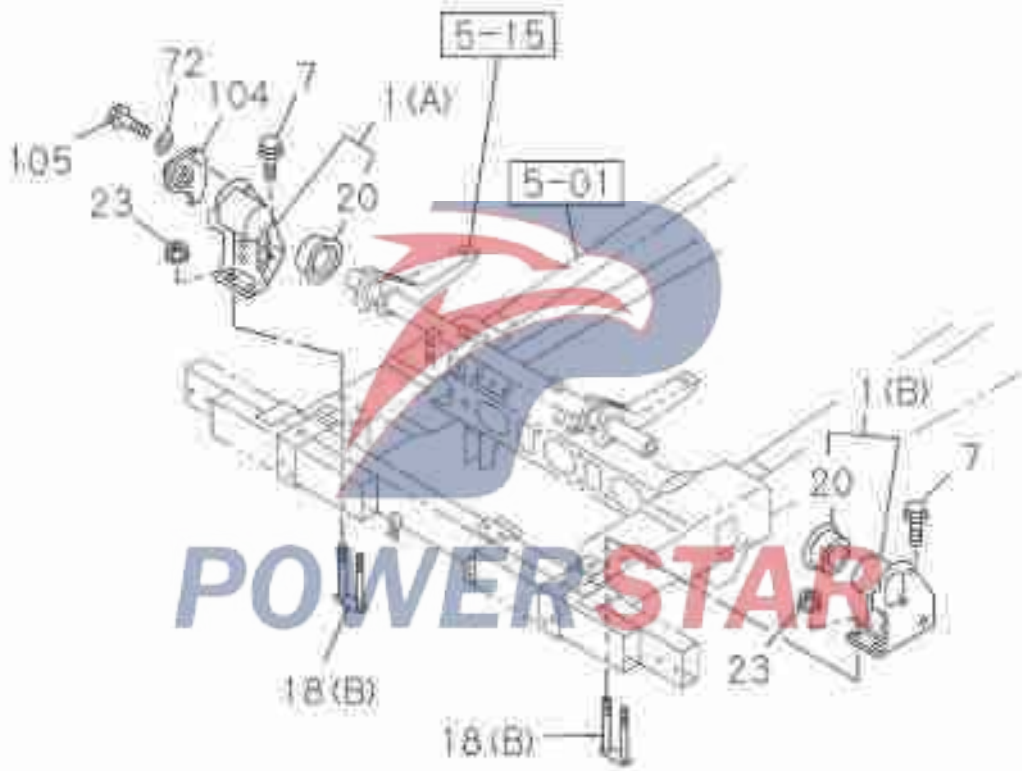
S/N	Recommended specification / name of part				Applicable models / applicable status / notes
	Isuzu figure No.	QingLing figure No.	Left/Right	Qty.	
376	Rivet-frame				
	9-06751-230-0	Q4501230		As required	A (D) D12×30
	9-06751-236-0	Q4501236		As required	A (E) D12×36
	9-06751-240-0	Q4501240		As required	A (F) D12×40
		Q4501126		As required	A D11×26
		Q4500824		As required	A D08×24
	1-71290-041-0	2804022-113		06	A
414	Hexagon flange bolt				
	0-28661-230-0			12	A Used for wheelbase 4175mm, 4475mm, 5200mm M12×30
446	Inner reinforcing plate				
	8-97170-790-0	2801121-P303		02	A Auxiliary spring rear (B)
	8-98014-080-1	2801168-P301		02	A Auxiliary spring front (A)

Cab installation

5-10

Front installation bracket of cab

Figure No.



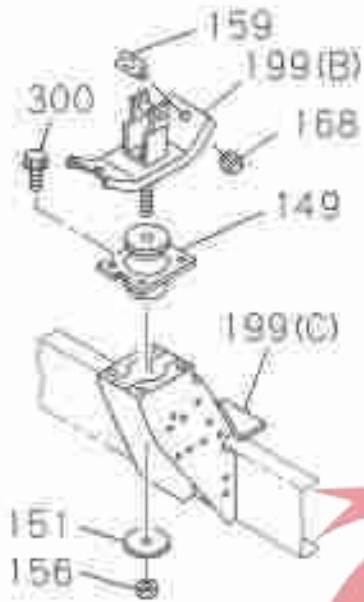
5-10

Cab installation

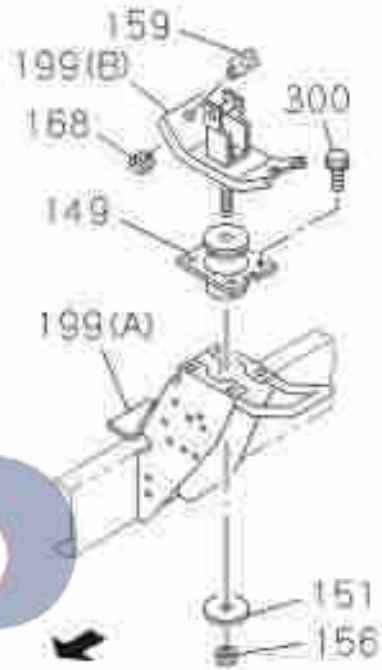
Figure No.

Rear mounting bracket of cab

Right side



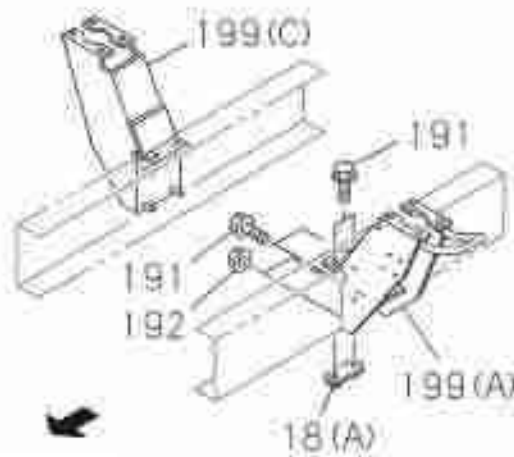
Left side



Front

Front

POWERSTAR



Front

Cab installation

5-10

Figure No.

N/S	Recommended specification / name of part				
	Isuzu figure No.	QingLing figure No.	Left/Right	Qty.	Applicable models / applicable status / notes
					Single cab
1	---- Bracket assembly				
	8-98074-799-0	2700120-P301	Right	01	A
					(A)
	8-98074-800-0	2700110-P301	Left	01	A
					(B)
7	---- Hexagon flange bolt				
	0-28661-440-0	Q1841440TF2		02	A
					M14×40
18	---- Nut plate- front cab mounting bracket fixation				
	8-97034-139-2			02	A
					(A)
	8-98029-285-1	5002120-P301		02	A
					(B)
20	---- Mounting of rubber blanket in cab-upper				
	8-98007-037-1	2700151-P301		01	A
23	---- Nut				
	8-98039-989-0	Q3201413F2		04	A
					M14
72	---- Big washer				
	0-91614-714-0	Q40214		01	A
					Inner diameter=15 Outer diameter=36

5-10

Cab installation

Figure No.

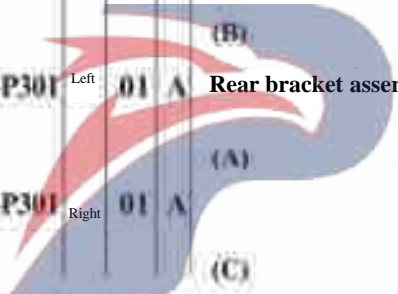
S/N	Recommended specification / name of part				Applicable models / applicable status / notes
	Isuzu figure No.	QingLing figure No.	Left/Right	Qty.	
104	Support arm-bearing				Single cab
	8-98006-455-0	5002015-P301		01	A
105	Hexagon flange bolt				
	0-28661-435-0	Q1841435TF2		01	A
					M14×35
149	Cab rubber cushion-mid				
	8-98021-561-0	5002130-P301		02	A
151	Big flat washer				
	8-97359-042-1	2700214-803		02	A
					Inner diameter=17 Outer diameter=62
156	Hexagon nut (type D)-fine thread				
	0-91111-516-0	Q341B16T12		02	A
					M16
159	Cab rubber cushion				
	8-97113-340-0	2700041-P301		04	A
168	Hexagon flange nut				
	0-91180-108-0	Q32008		04	A
					M8
191	Hexagon flange bolt				
	0-28651-240-0	Q1841240		08	A
					M12×40

Cab installation

5-10

Figure No.

N/S	Recommended specification / name of part				Applicable models / applicable status / notes
	Isuzu figure No.	QingLing figure No.	Left/Right	Qty.	
					Single cab
192	Hexagon flange nut				
	0-91180-112-0	Q32012		08 A	M12
199	Cab buffer support				
	8-98036-883-0	2700030-P301		02 A	
	8-98024-773-0	5002150-P301	Left	01 A	Rear bracket assembly
	8-98024-772-1	5002160-P301	Right	01 A	
300	Hexagon flange bolt				
	0-28651-020-0	Q1841020		08 A	M10 × 20



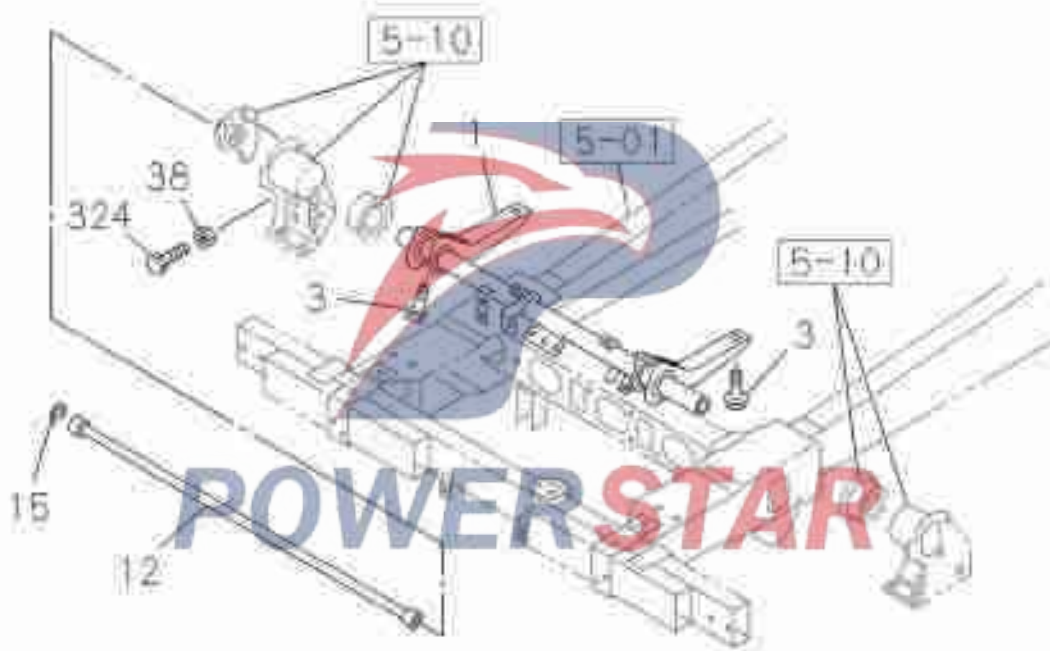
POWERSTAR

5-15

Cab installation

Figure No.

Torsion lever

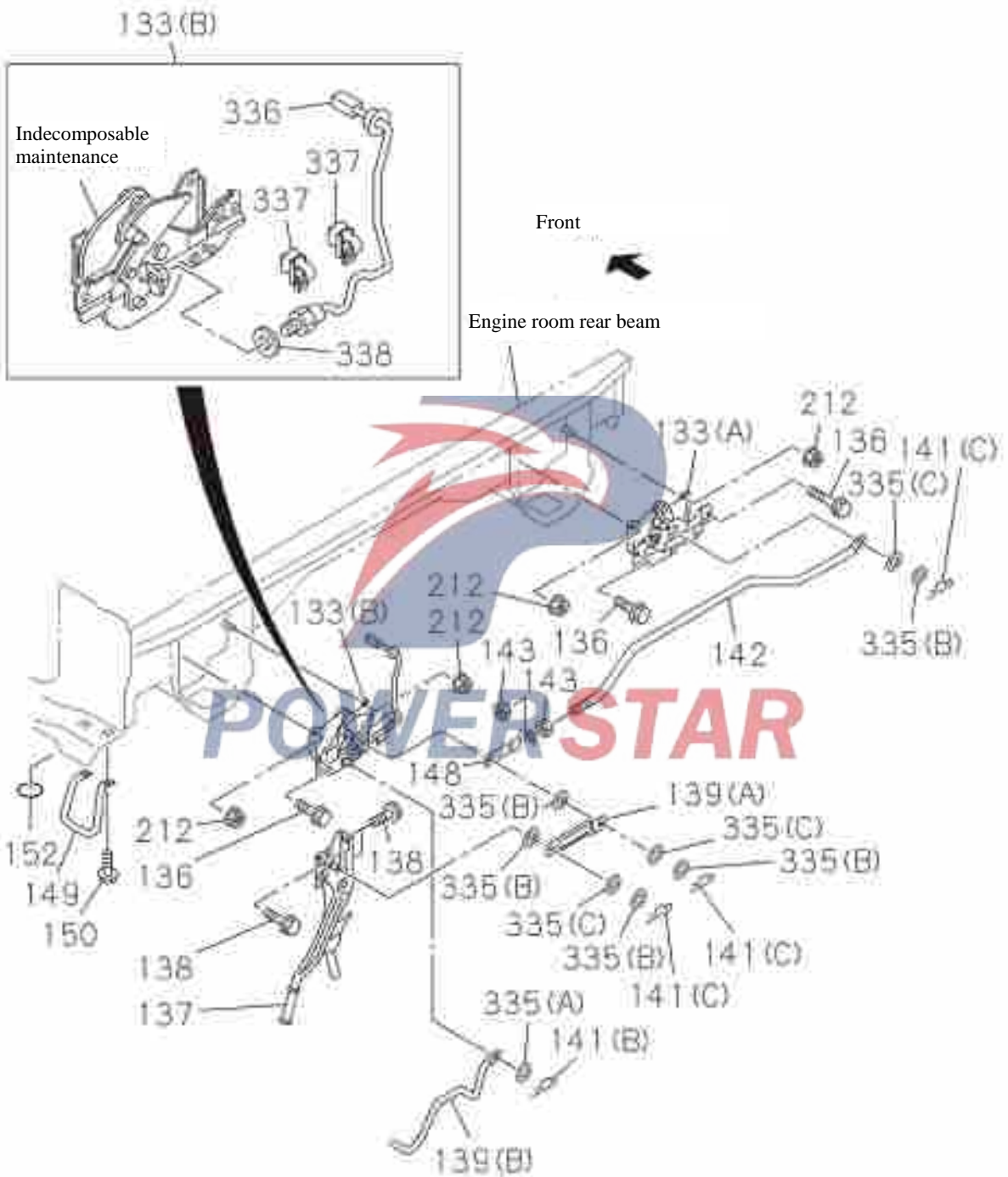


Cab installation

5-15

Driver's cab lock

Figure No.

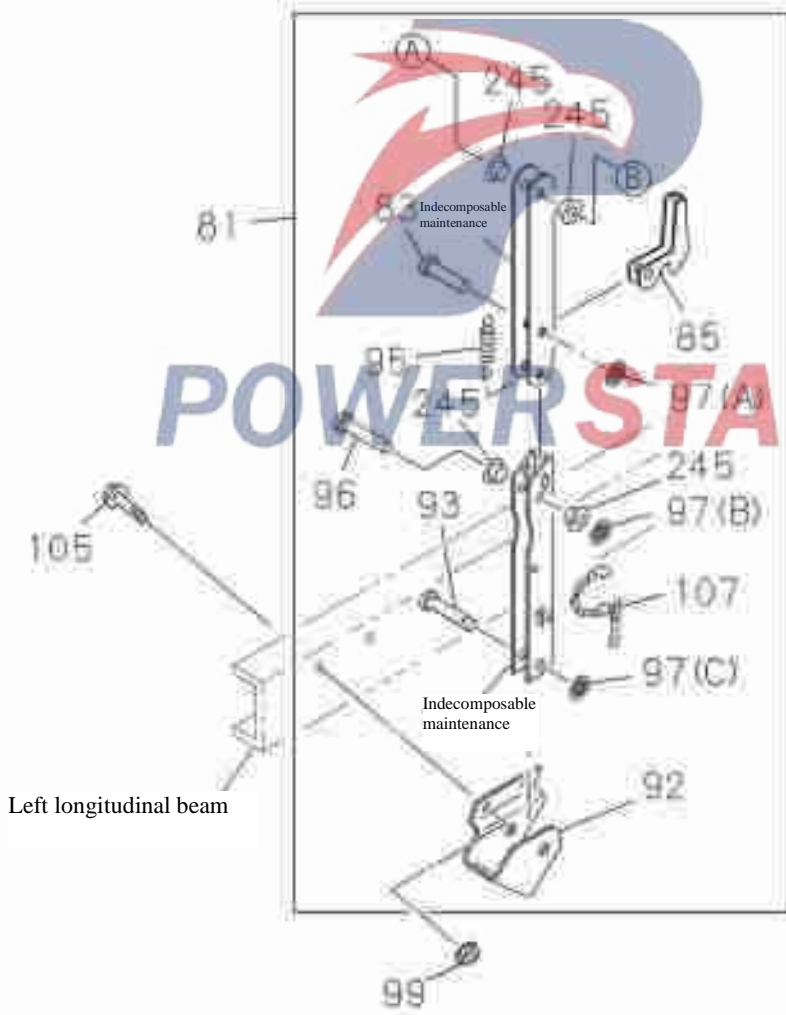
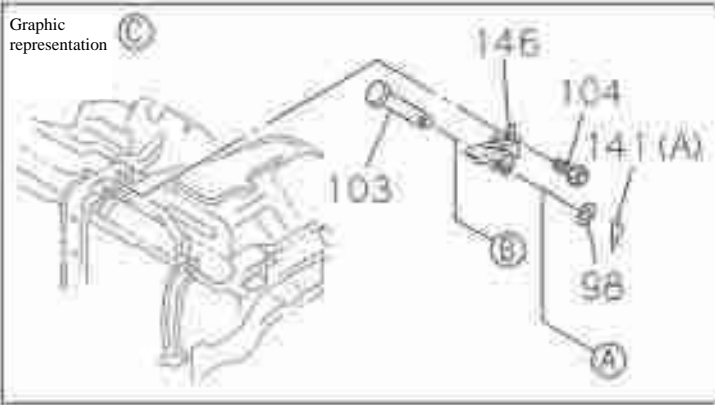


5-15

Cab installation

Figure No.

Cab fixing mechanism



Cab installation

5-15

Figure No.

N/S	Recommended specification / name of part				Applicable models / applicable status / notes
	Isuzu figure No.	QingLing figure No.	Left/Right	Qty.	
1	Front installation assembly				
	8-98088-215-0	2700010-P301		01	A
3	Bolt				
	8-97359-033-0	5002041-P301		06	A
					M12×37
12	Torsion lever				
	8-97261-872-0	5002011-P301		01	A
15	Split ring				
	8-97359-034-0	5002013-P301		01	A
38	Nut				
	8-98039-988-0	Q341B14T13F2		01	A
					M14
81	Upper support assembly				
	8-98006-488-3			01	A
83	Pin				
	8-97039-548-0			01	A
					Outer diameter =8 Length=32
85	Lever assembly				
	8-94331-481-0			01	A

5-15

Cab installation

Figure No.

S/N	Recommended specification / name of part				Applicable models / applicable status / notes
	Isuzu figure No.	QingLing figure No.	Left/Right	Qty.	
92	----- Mounting bracket of cab				Single cab
	8-98011-317-0			01	A
93	----- Pin				
	8-97218-926-0			01	A
					Outer diameter =12 Length=53
95	----- Return spring				
	8-94160-167-2			01	A
96	----- Pin				
	8-97096-661-0			01	A
					Outer diameter =10 Length=36
97	----- Nut				
	8-97022-565-0			01	A
					(A)
					Inner diameter=7.9
	8-97022-566-0			01	A
					(B)
					Inner diameter=9.9
	8-97022-567-0			01	A
					(C)
					Inner diameter=11.9
98	----- Washer				
	1-09985-183-0	5002037-P301		01	A
					Inside diameter =10.5 Thickness = 2.0

Cab installation

5-15

Figure No.

S/ N	Recommended specification / name of part				
	Isuzu figure No.	QingLing figure No.	Left/Right	Qty.	Applicable models / applicable status / notes
					Single cab
99	Hexagon flange nut				
	0-91180-110-0	Q32010		02	A M10
103	Pin				
	1-09744-107-0	5002036-P301		01	A Outer diameter =10 Length=48
104	Hexagon flange bolt				
	0-28660-820-0	Q1840820TF2		03	A M8×20
105	Hexagon flange bolt				
	0-28651-035-0	Q1841035		02	A M10×35
107	Pin				
	8-94331-482-0			01	A
133	Flip lock assembly-cab				
	8-97584-486-3		右	01	A (A)
	8-97584-487-4		左	01	A (B)
136	Hexagon flange bolt				
	0-28650-820-0	Q1840820		04	A M8×20

5-15

Cab installation

Figure No.

N/S	Recommended specification / name of part				Applicable models / applicable status / notes
	Isuzu figure No.	QingLing figure No.	Left/Right	Qty.	
					Single cab
137	Control lever assembly				
	8-97584-469-2	5002630-P301		01	A
138	Hexagon flange bolt				
	0-28650-820-0	Q1840820		03	A
					M8×20
139	Push rod				
	8-7410-269-0	5002561-P301		01	A
					(B)
	8-97584-483-1	5002571-P501		01	A
					(A)
141	Lock pin				
	1-09987-142-0			01	A
					(A)
					Length=32.6
	8-98039-045-1	5002611-P301		01	A
					(B)
					Length=25.3
	8-98039-426-1	5002621-P301		03	A
					(C)
					Length=34
142	Rod				
	8-97410-633-0			01	A

Cab installation

5-15

Figure No.

N/S	Recommended specification / name of part				
	Isuzu figure No.	QingLing figure No.	Left/Right	Qty.	Applicable models / applicable status / notes
					Single cab
143	Hexagon nut (type I) - fine thread				
	0-91110-510-0	Q34C10T13F2		02	A M10
146	Bracket assembly - cab mounting				
	8-97387-328-2	5002240-P301		01	A
148	Connection board				
	8-97410-736-0			01	A
149	Handle - cab tilt				
	8-98067-938-0	5002230-P301		01	A
150	Hexagon flange bolt				
	0-28650-820-0	Q1840820		02	A M8×20
152	Sealing cover sheet				
	1-76798-019-0	8200143-803		02	A Outer diameter =25 black
212	Hexagon flange nut				
	0-91180-108-0	Q32008		04	A M8

5-15

Cab installation

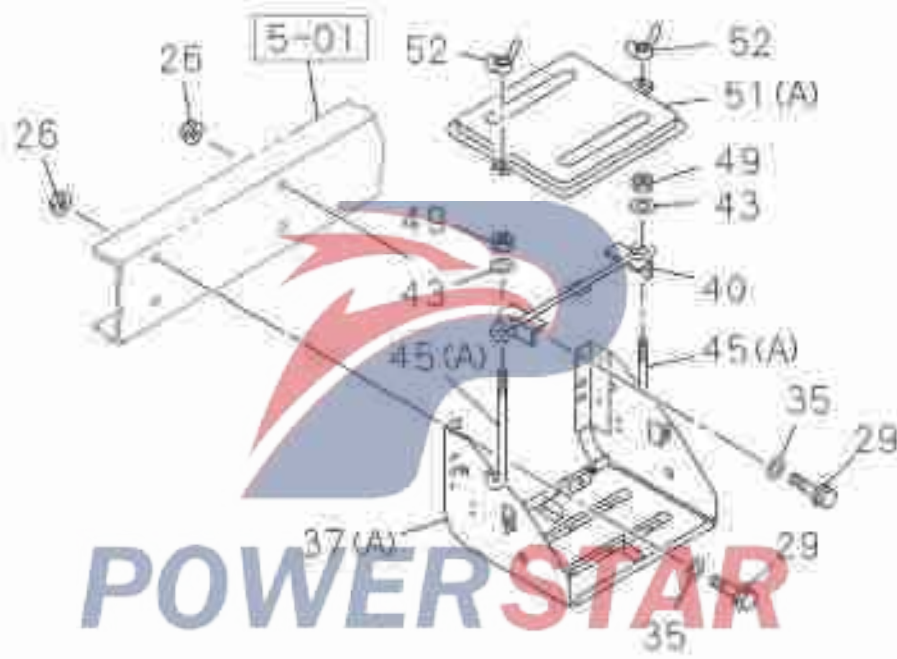
Figure No.

S/N	Recommended specification / name of part				Applicable models / applicable status / notes
	Isuzu figure No.	QingLing figure No.	Left/Right	Qty.	Single cab
245	Nylon shaft pipe				
	1-62500-587-0			04	A
324	Bolt				
	8-98004-319-1	5002012-P301		01	A
					M14×55
335	Small washer				
	0-91610-512-0	Q40012		05	A
					(B)
					Inner diameter=12.5 Outer diameter=22
	8-98060-837-0	5002581-P301		01	A
					Washer
					(A)
					Inner diameter=8.8 Outer diameter=12.5
	8-98060-839-0	5002591-P301		03	A
					(C)
					Inner diameter=13 Outer diameter=22
336	Switch - cab tilt				
	8-98032-665-1		Left	01	A
337	Clip				
	8-97173-307-0		Left	02	A
					Length=155
338	Small washer				
	0-91610-516-0		Left	01	A
					Inner diameter=17 Outer diameter=30

Battery frame

5-20

Figure No.



5-20

Battery frame

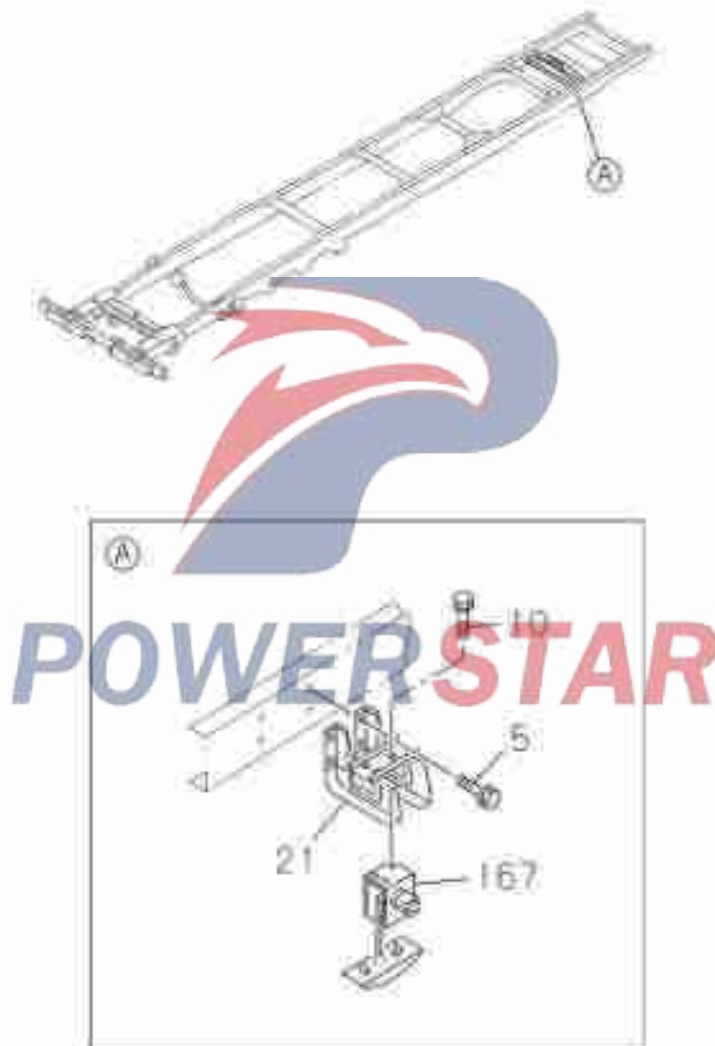
Figure No.

S/N	Recommended specification / name of part				
	Isuzu figure No.	QingLing figure No.	Left/Right	Qty.	Applicable models / applicable status / notes
					Single cab
26	Hexagon flange nut				
	0-91180-210-0	Q32010T13F2		04	A M10
29	Hexagon flange bolt				
	0-28651-035-0	Q1841035		03	A M10×35
35	Flat washer				
	0-91610-610-0	Q40110		04	A Inner diameter=10.5 Outer diameter=22
37	Battery frame assembly				
	8-97384-067-2	3703210-850		01	A (A)
40	Keep plate				
	5-53615-004-1	3703410-850		01	A
43	Big washer				
	0-91614-708-0	Q40208		02	A Inner diameter=8.4 Outer diameter=22
45	Tie rod bolt- battery				
	9-53616-615-0	3703221-10		02	A (A)
49	Hexagon flange nut				
	0-91180-108-0	Q32008		02	A M8
51	Battery cover				
	8-97120-747-0	3703421-850		01	A (A)
52	Wing nuts				
	0-91118-408-0	Q39008		02	A M8

Spare wheel updown regulator and its installation

5-30

Figure No.



5-30

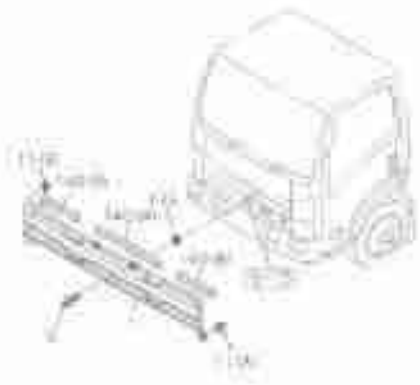
Spare wheel updown regulator and its installation

Figure No.

N/S	Recommended specification / name of part				
	Isuzu figure No.	QingLing figure No.	Left/Right	Qty.	Applicable models / applicable status / notes
					Single cab
5	Hexagon flange nut				
	0-28051-025-0	Q1841025		04	A Straight frame type M10*25
10	Hexagon flange bolt				
	0-28650-820-0	Q1840820		04	A Straight frame type M8*20
21	Mounting support assembly-spare wheel up-down regulator				
		3105020-P301		01	A Straight frame type
167	Spare wheel up-down regulator assembly				
	8-97101-955-1	3105010-P301		04	A Straight frame type

Radiator cover

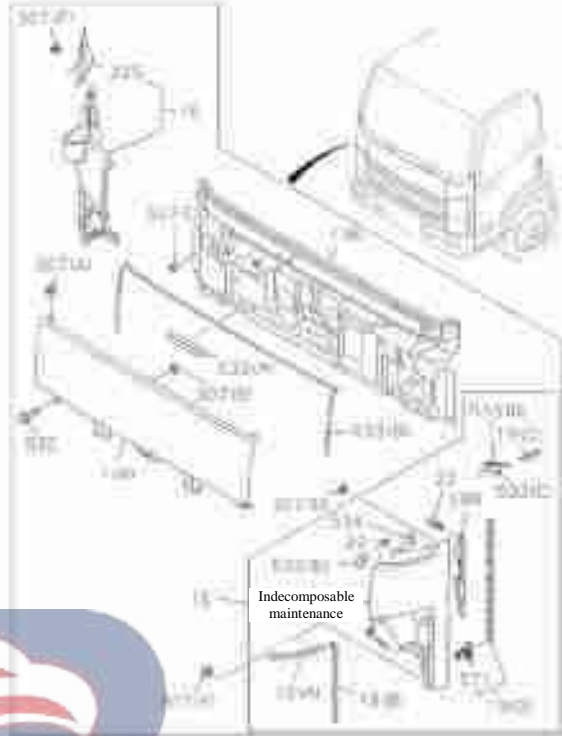
6-03
Figure No.



6-03

Front wall
NO.2

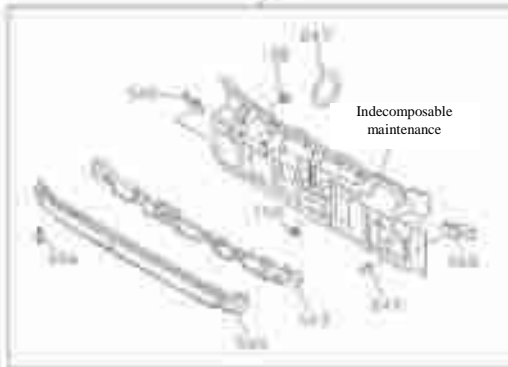
6-05
Figure No.



6-05

6-05
Figure No.

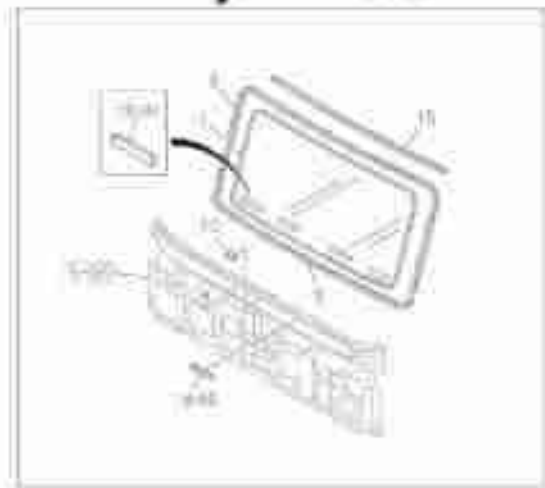
Front wall
NO.1



6-05

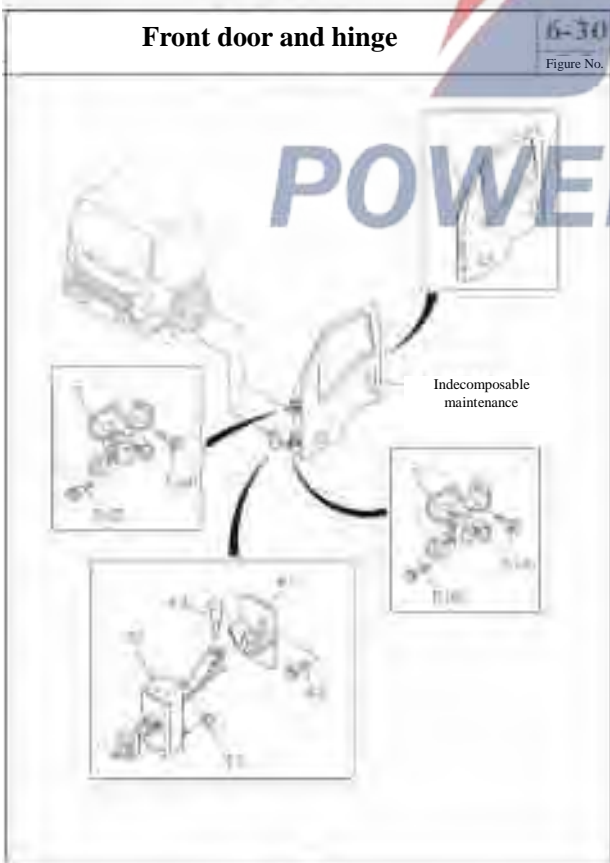
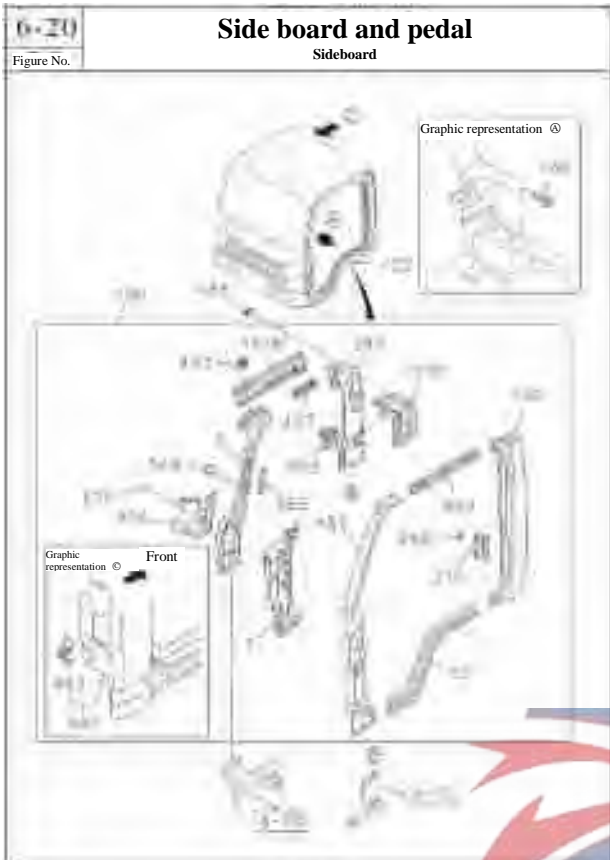
6-07
Figure No.

Front windshield



6-07

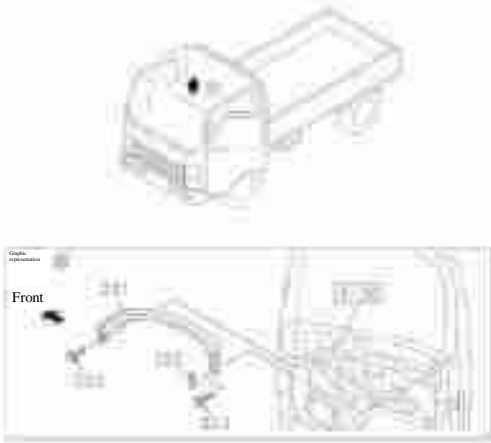
POWERSTAR



POWERSTAR

Front window regulator assembly, door

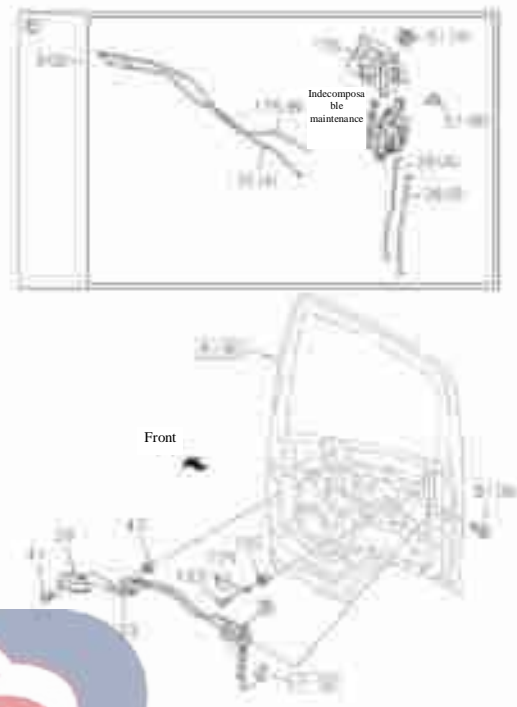
6-31
Figure No.



6-31

Front door lock and handle
Non-automatic door lock

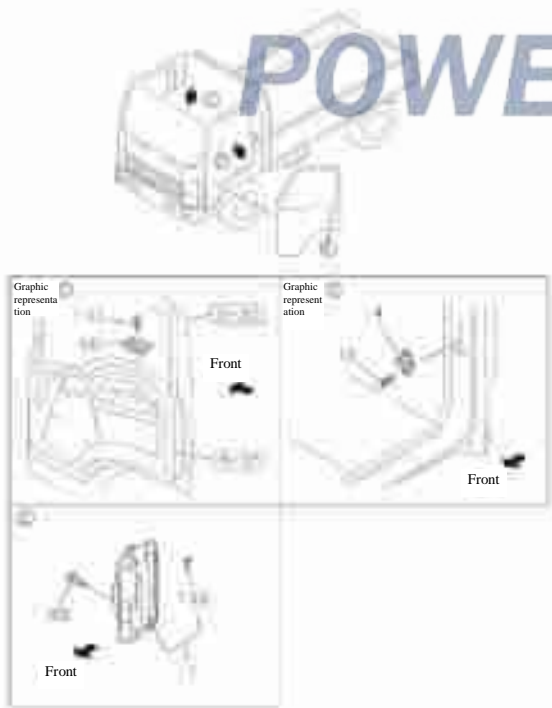
6-32
Figure No.



6-32

Front door lock and handle
Other parts

6-32
Figure No.



6-32

Front interior rubber molding, door

6-35
Figure No.

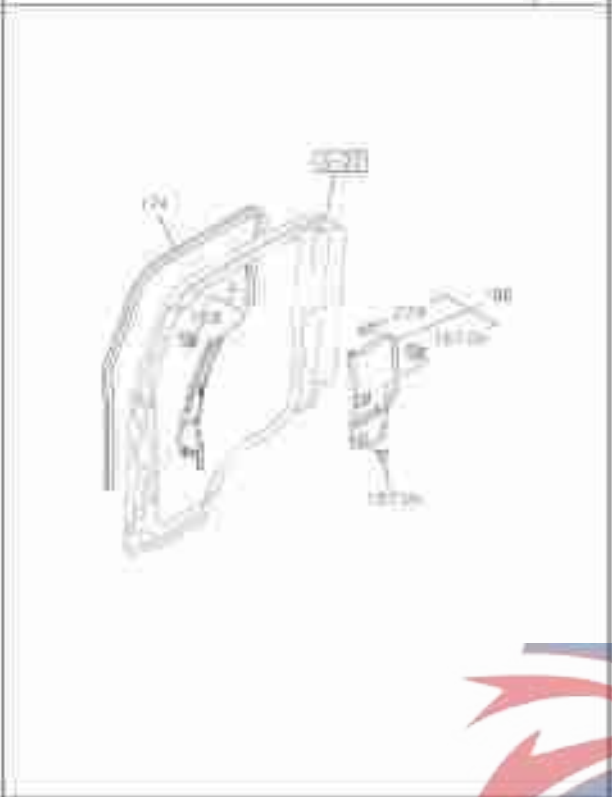


6-35

Side decorating parts

6-45

Figure No.



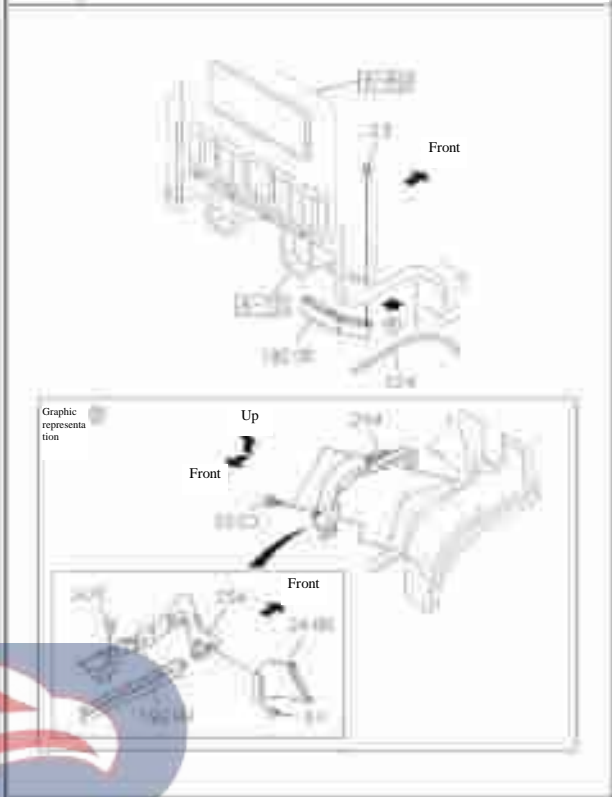
P-090

Front mudguard and baffle plate

6-47

Figure No.

Protection cover and other parts

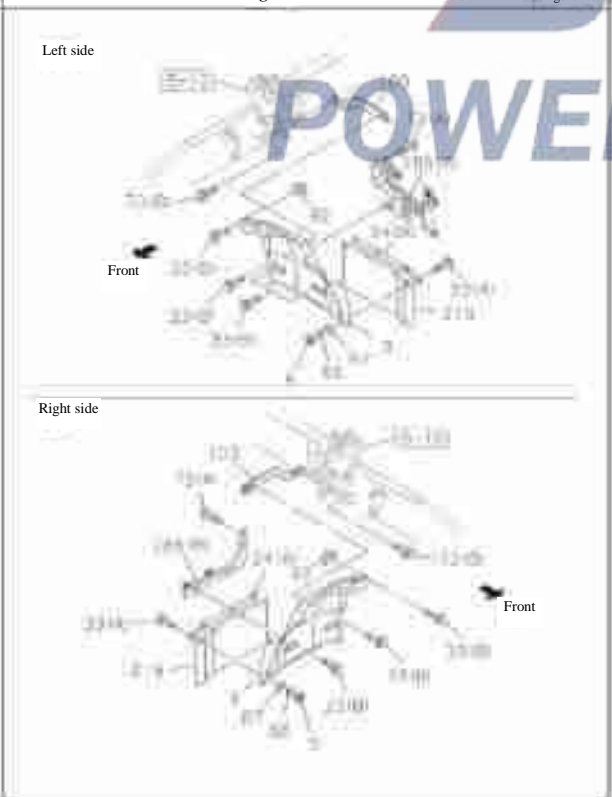


P-091

Front mudguard and baffle plate
Mudguard

6-47

Figure No.



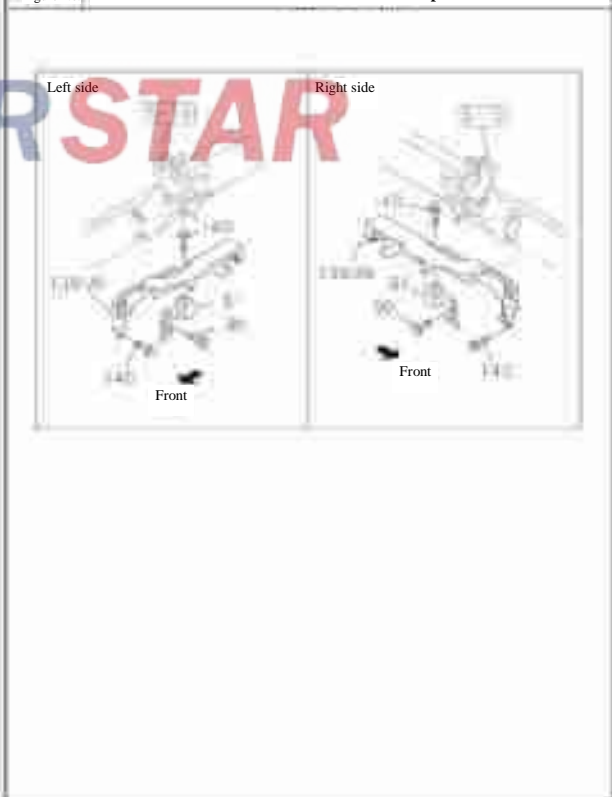
P-090

Front mudguard and baffle plate

6-47

Figure No.

Protection cover and other parts

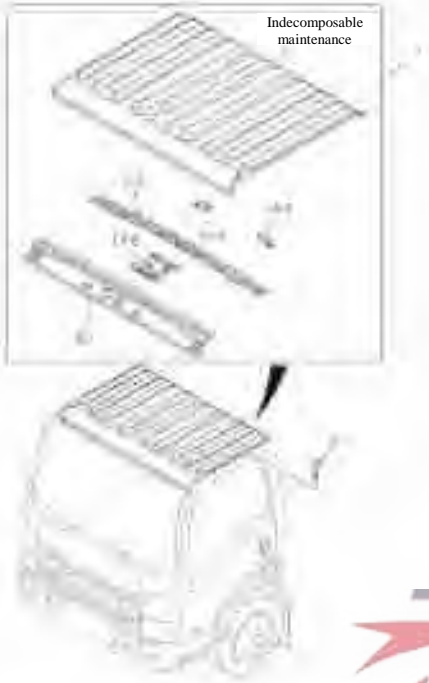


P-091

POWER STAR

6-60
Figure No.

Roof cover



646

6-66
Figure No.

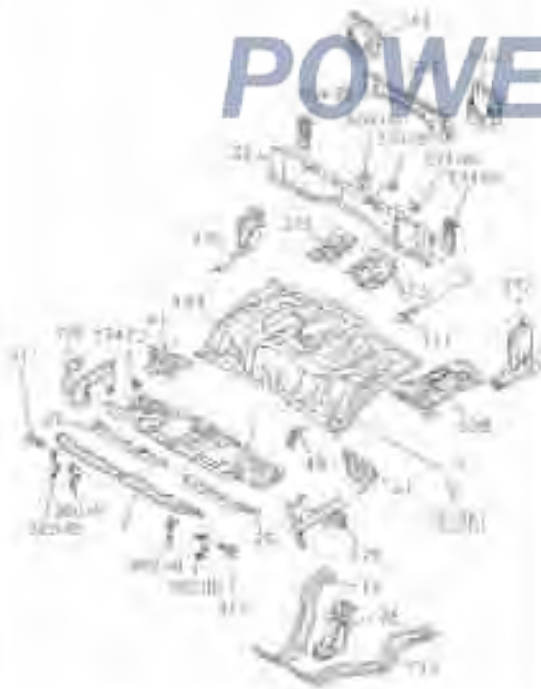
Ceiling lining and decorating parts



647

Floor Floor

6-70
Figure No.



648

6-70
Figure No.

Floor Blockage

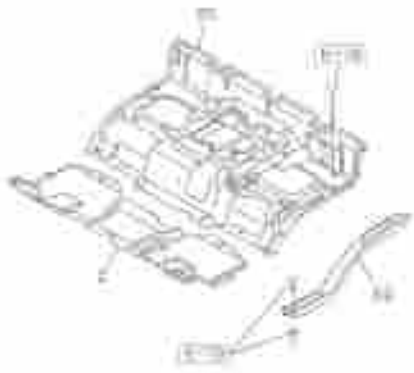


649

6-75

Floor mat

Figure No.

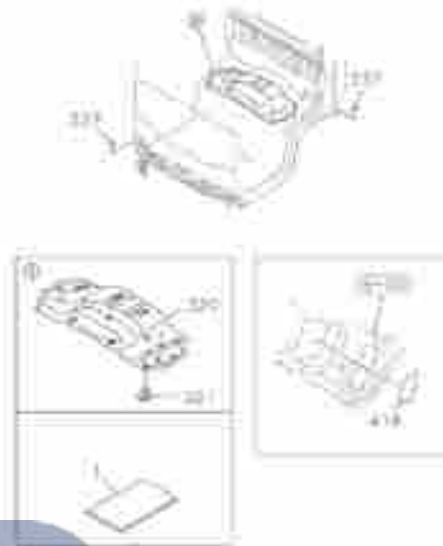


6-75

6-76

Floor decorations and sealing elements

Figure No.

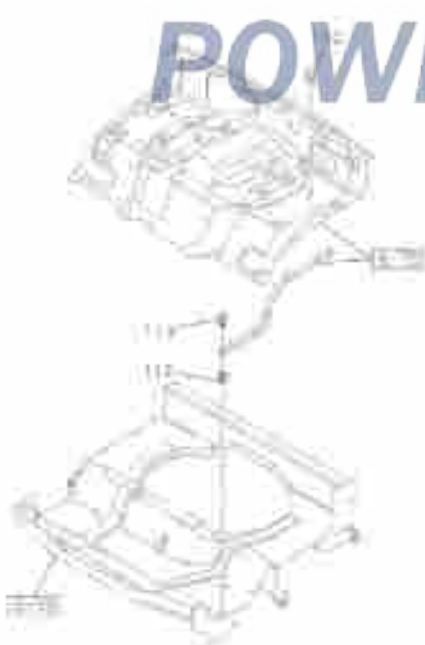


6-76

6-78

Floor fastening nails

Figure No.

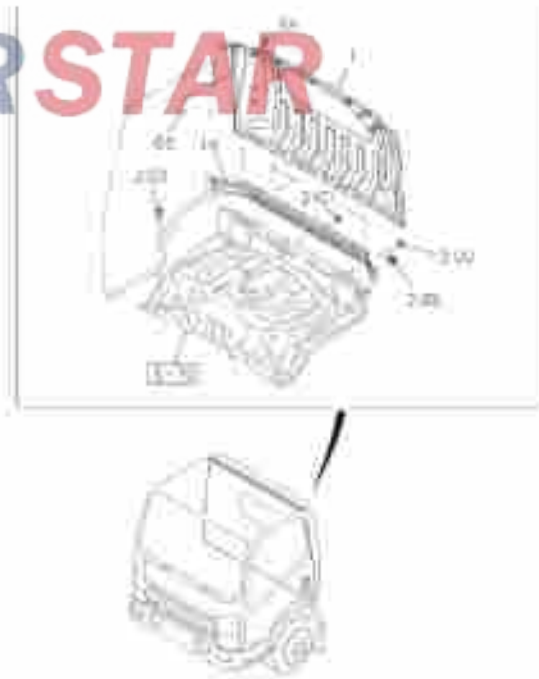


6-78

6-80

Rear wall plate

Figure No.



6-80

Rear window and sealing rubber strip

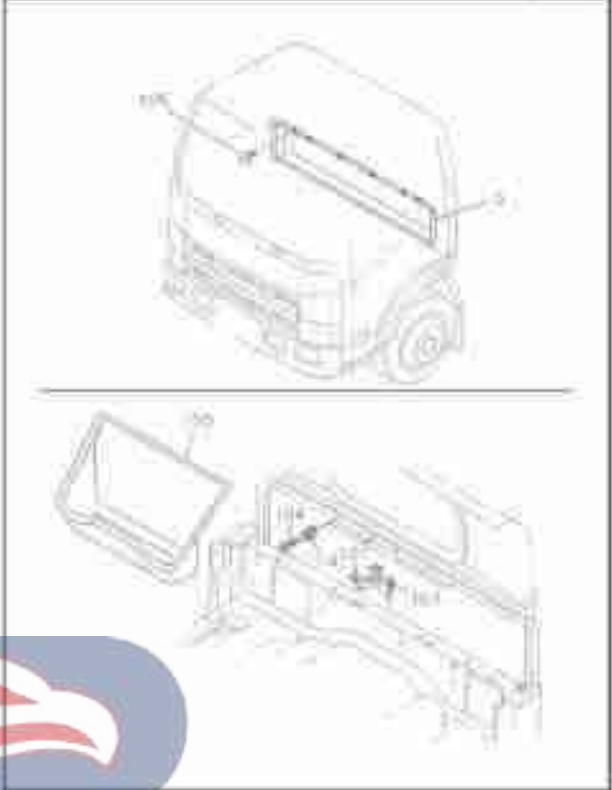
6-82
Figure No.



6-82

Backboard decoration

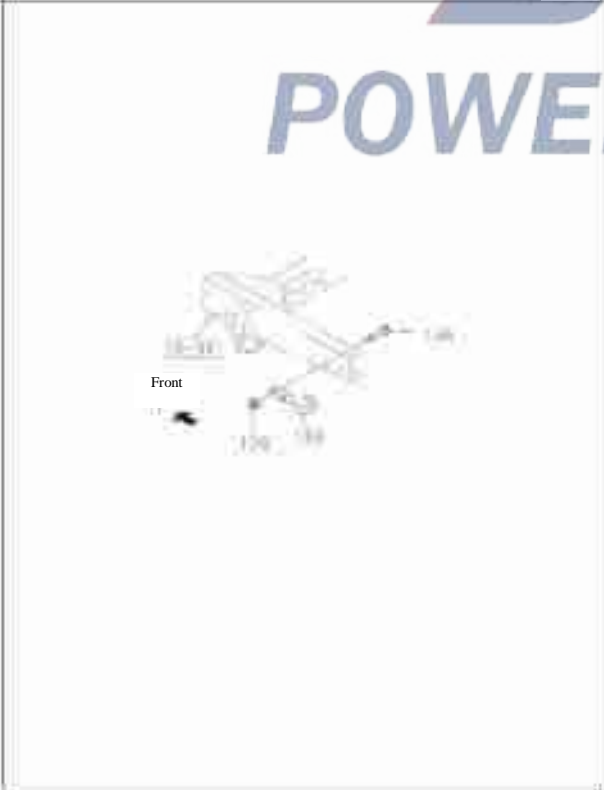
6-84
Figure No.



6-84

Rear Bumper

6-90
Figure No.



Front

6-90

Label and illustration plate

7-01
Figure No.



7-01

POWERSTAR

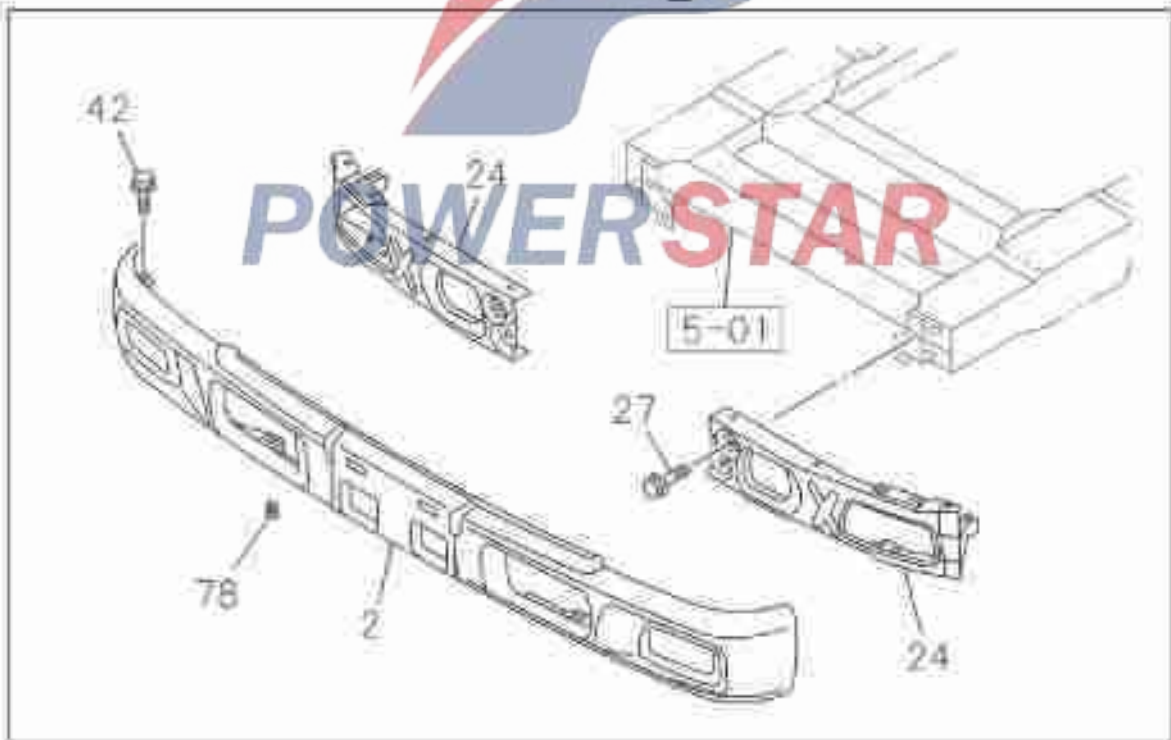
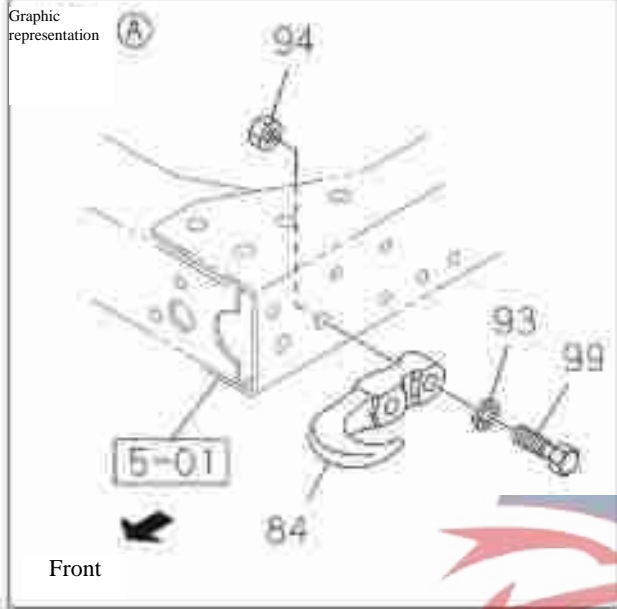
ISUZU



6-01

Front Bumper

Figure No.



Front Bumper

6-01

Figure No.

N/S	Recommended specification / name				
	Isuzu figure No.	QingLing figure No.	Left/Right	Qty.	Applicable models / applicable status / notes
					Single cab
2	Front Bumper				
	8-97405-627-5	2803010-P301		01	A With fog lamp
	8-97405-634-5	2803021-P301		01	A Dark grey Without fog lamp
					A Dark grey
24	Skeleton assembly - bumper				
	8-98025-184-3	2803040-P301	Right	01	A
	8-98025-185-3	2803030-P301	Left	01	A
27	Bolt				
	8-98013-111-0			04	A M10×30
42	Bolt				
	0-52010-616-0	5002991-P301		10	A M6×16
78	Nut				
	8-98029-416-0	2803071-P301		02	A M6
84	Front decoupling				
	8-97387-665-0	2806011-P301		01	A
93	Heavy duty spring washer				
	0-91510-814-0	Q40514		02	A Inner diameter=14.2

6-01

Front Bumper

Figure No.

N/S	Recommended specification / name				
	Isuzu figure No.	QingLing figure No.	Left/Right	Qty.	Applicable models / applicable status / notes
					Single cab
94	---- Nut				
	0-91110-514-0	Q341B14T13F2		01 A	M14
99	---Hexagon head bolt				
	0-10856-450-0	Q151B1450		02 A	M14×50

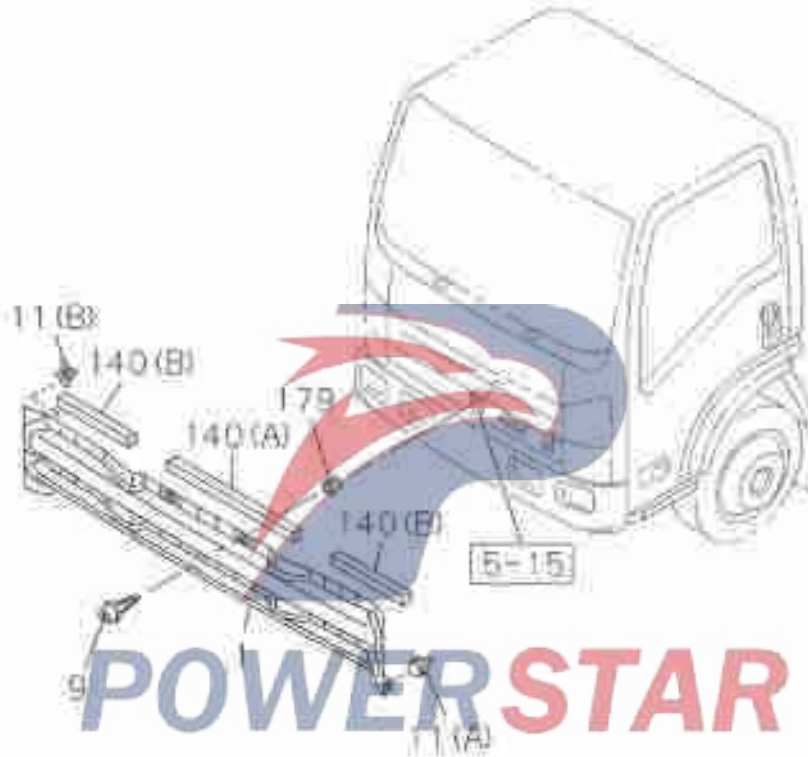


POWERSTAR

Radiator cover

6-03

Figure No.



6-03

Radiator cover

Figure No.

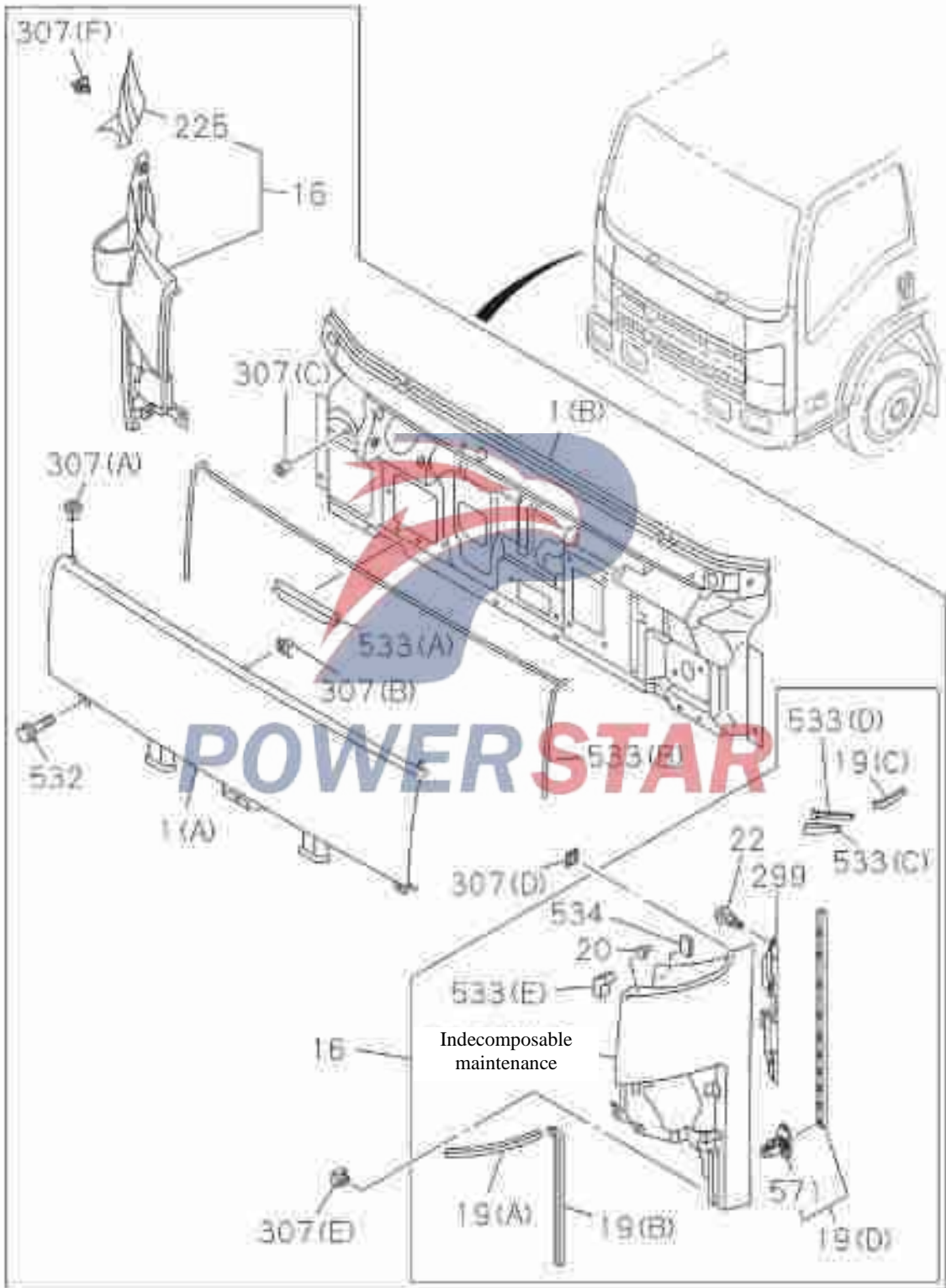
N/S	Recommended specification / name				Applicable models / applicable status / notes
	Isuzu figure No.	QingLing figure No.	Left/Right	Qty.	
					Single cab
1	Mask				
	8-98025-468-4	1301121-P301		01	A
	8-97407-294-4	1301111-P301		01	A
9	Screw- radiator cover and nut pad				
	0-74165-516-0	1301211-P301		01	A
11	Clip - radiator grid				
	8-97581-651-2	1301131-P301		02	A
					(A)
	8-98025-698-0	1301132-P301		05	A
					(B)
140	Sealing strip - mask				
	8-98054-280-0	1301141-P301		01	A
					(A)
	8-98054-281-0	1301151-P301		02	A
					(B)
179	Washer nut				
	8-94291-927-0	1301521-44		01	A

Front wall

6-05

NO.1

Figure No.

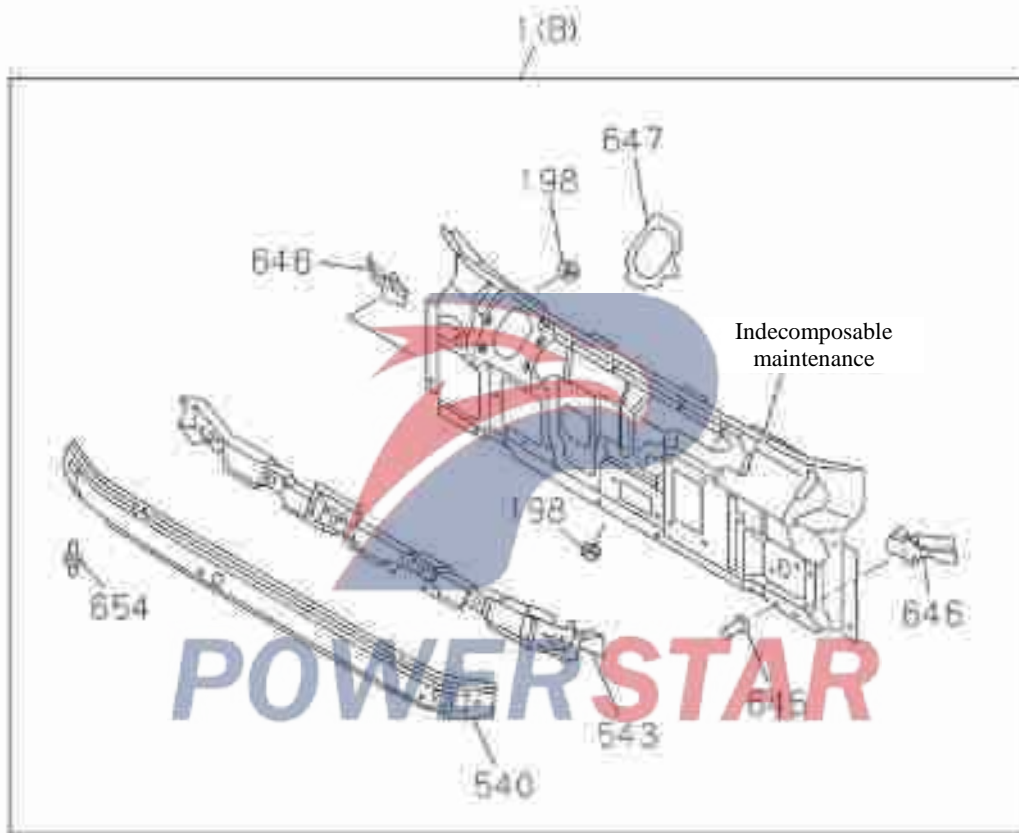


6-05

Front wall

Figure No.

NO.1



Front wall

6-05

Figure No.

N/S	Recommended specification / name				
	Isuzu figure No.	QingLing figure No.	Left/Right	Qty.	Applicable models / applicable status / notes
					Single cab
1	----- Plate assembly-dashboard and front wall				
	8-97585-855-1	5300010-P301		01	A (B)
	8-98021-859-5	5302010-P301		01	A Front panel assembly (A)
16	----- Corner plate assembly - front (door rear mirror)				
	8-97405-621-7	5300120-P301	Right	01	A Consistent with the body White
	8-97406-040-8	5300110-P301	Left	01	A White
	8-97405-620-7	5300220-P301	Right	01	A Unpainted
	8-97409-872-8	5300210-P301	Left	01	A Unpainted
19	----- Sealing strip				
	8-98028-749-3	5300391-P301	Right	01	A (D)
	8-98028-750-3	5300291-P301	Left	01	A (D)
	8-98035-268-0	5300261-P301		02	A Sealing strip-front headlight (A)
	8-98038-608-0	5300211-P301		02	A Sealing strip-front upper (C)

6-05

Front wall

Figure No.

N/S	Recommended specification / name				Applicable models / applicable status / notes
	Isuzu figure No.	QingLing figure No.	Left/Right	Qty.	
					Single cab
19	----- Sealing strip				
	8-98062-215-0	5300271-P301		02	A Sealing strip-front headlight (B)
20	----- Fixation clamp				
	8-97410-739-0	5300261-P301		04	A
22	----- Cross recessed pan head self-tapping screw and plain washer assembly				
	0-74360-410-0	Q2204210		06	A M4x10
198	----- Four-corner welded nut				
	9-09114-086-0	T364A06		06	A M6
225	----- Decorative cover - right rear mirror without coating state				
	8-98036-521-3	5300342-P301	Right	01	A
299	----- Cover sheet - corner board				
	8-98028-144-1	5300411-P301	Right	01	A
	8-98028-145-1	5300311-P301	Left	01	A

Front wall

6-05

Figure No.

N/S	Recommended specification / name				
	Isuzu figure No.	QingLing figure No.	Left/Right	Qty.	Applicable models / applicable status / notes
					A Single cab
307	---- Positioning stopper				
	8-97410-738-0			02	A (D)
	8-98021-300-1			04	A (E)
	8-98021-968-0		Left	01	A Blockage (A)
	8-98021-969-0		Right	01	A Blockage (A)
	8-98023-229-1			01	A Clip (B)
	8-98028-743-0		Right	01	A (F)
	8-98034-363-1			04	A Fastening nail (C)
532	---- Bolt				
	0-52010-616-0	5002991-P301		04	A M6×16
533	---- Sealing strip-front panel				
	8-98021-964-4	5206051-P301		01	A (B)

6-05

Front wall

Figure No.

N/S	Recommended specification / name				
	Isuzu figure No.	QingLing figure No.	Left/Right	Qty.	Applicable models / applicable status / notes
					Single cab
533	----- Sealing strip-front bracket joint				
	8-98043-509-0	5300321-P301	Right	01	A Sealing strip-front bracket joint (C)
	8-98043-510-0	5300221-P301	Left	01	A Sealing strip-front bracket joint (C)
	8-98043-511-1	5300231-P301		02	A (D)
	8-98049-007-0	5206061-P301		01	A Sealing strip-front panel (A)
	8-98064-939-0	5300241-P301		02	A Sealing strip A-front panel (E)
534	----- Snap button assembly - front corner panel (front corner mirror)				
	8-98059-208-0	5300250-P301	Left	01	A
	8-98059-208-0	5300250-P301	Right	01	A Snap button assembly - front corner board
540	----- Plate - front outer				
	8-97585-964-0	5300012-P301		01	A
543	----- Wiper bracket assembly				
	8-98008-131-4	5301030-P301		01	A

Front wall

6-05

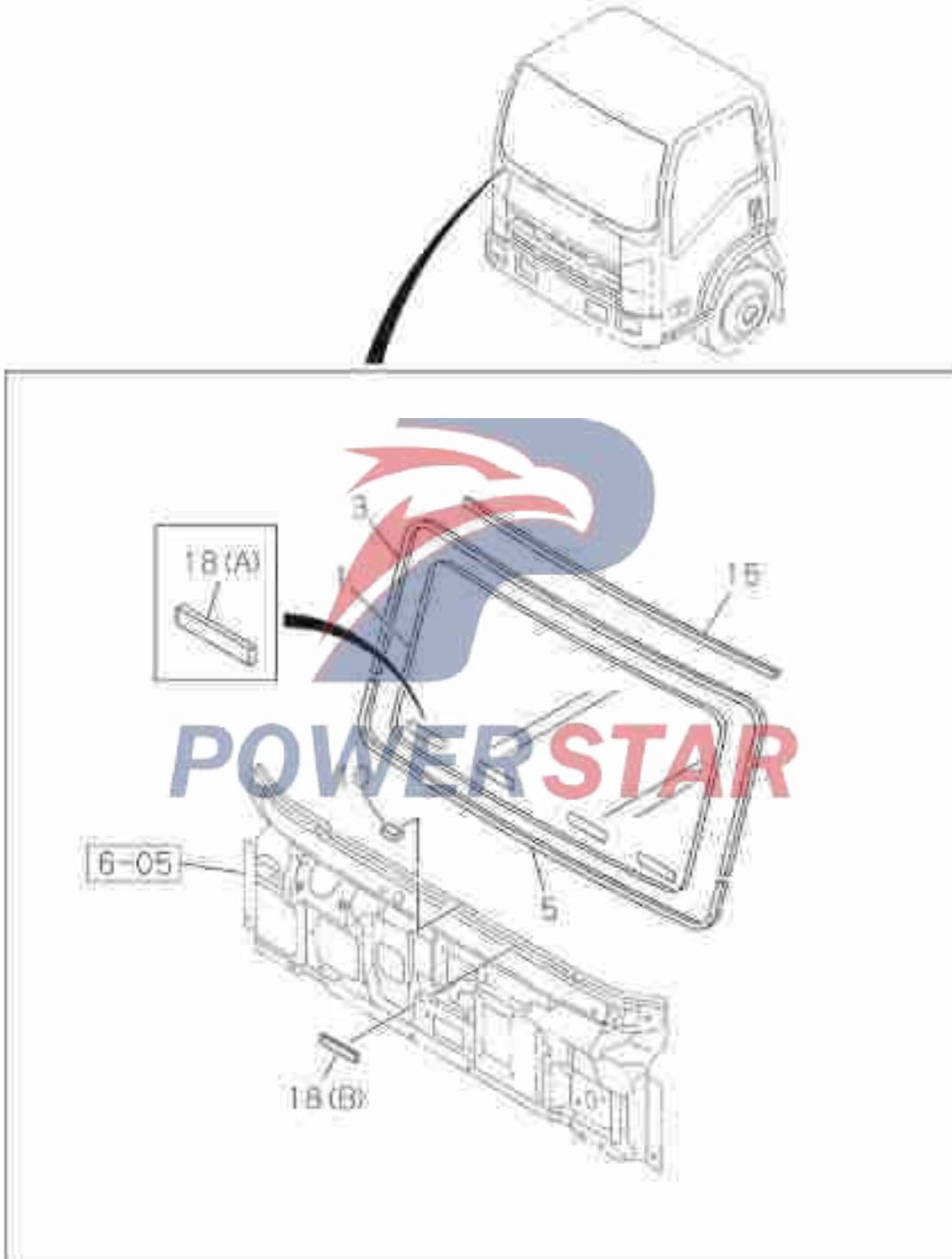
Figure No.

N/S	Recommended specification / name				
	Isuzu figure No.	QingLing figure No.	Left/Right	Qty.	Applicable models / applicable status / notes
					Single cab
571	Fastening nail				
	9-98021-457-0			20	A
645	Weld bolt				
	8-98013-112-0	5600015-P301		06	A
					M6x12
646	Reinforcing plate-cab front wall				
	8-98023-098-1	5300015-P301	Right	01	A
	8-98023-099-1	5300014-P301	Left	01	A
647	Reinforcing plate -wiper motor				
	8-98006-327-0	5300013-P301		01	A
654	Pin				
	8-98021-947-2	5300016-P301		02	A

6-07

Front windshield

Figure No.



Front windshield

6-07

Figure No.

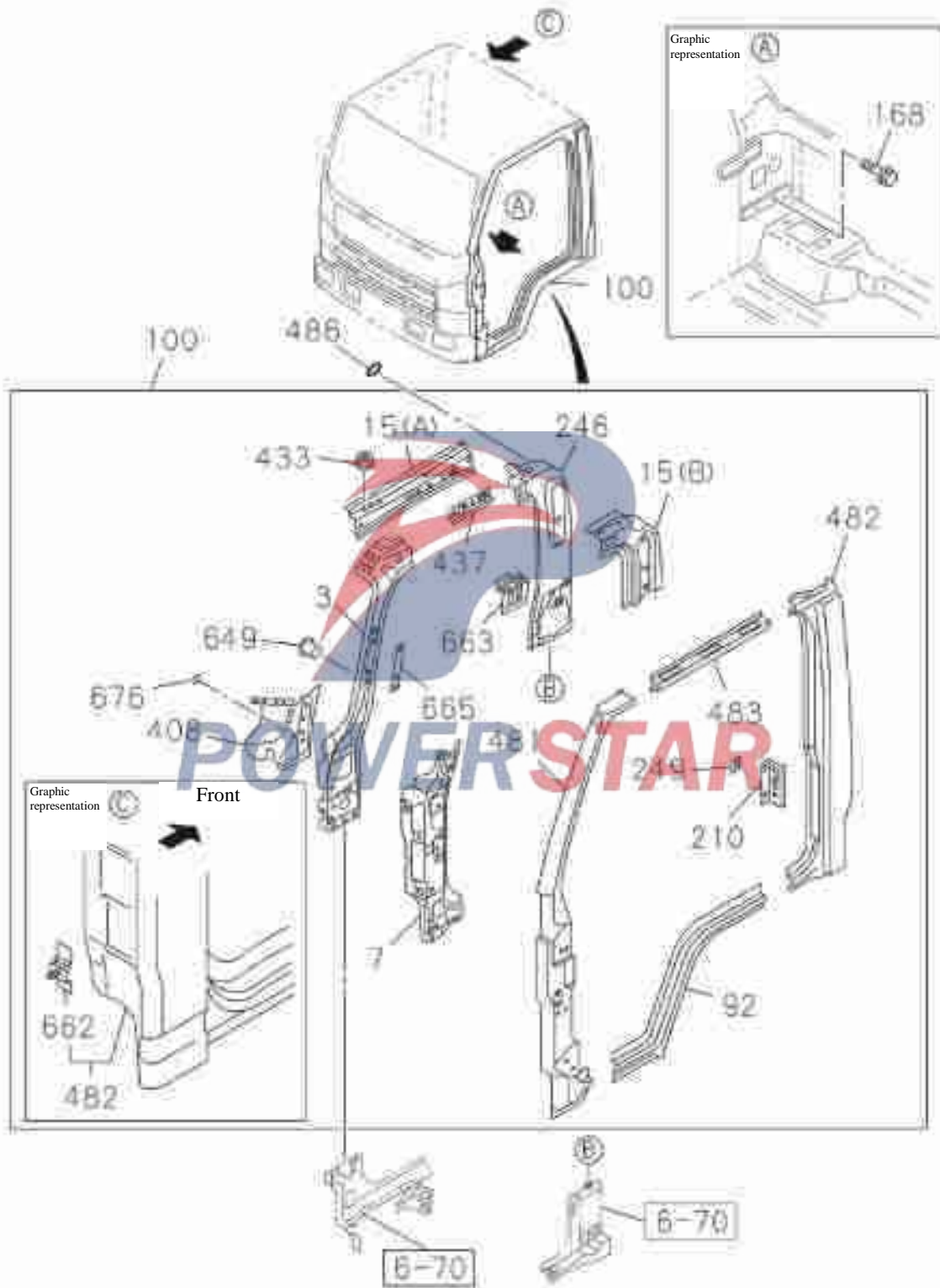
S/N	Recommended specification / name				Applicable models / applicable status / notes
	Isuzu figure No.	QingLing figure No.	Left/Right	Qty.	
1	Front windshield assembly				
	8-98029-063-1	5206010-P301		01	A
3	Adhesive tape-front windshield				
	8-98029-079-0	5206111-P301		01	A
5	Strips-lower part of front windshield				
	8-98083-542-0	5206121-P301		01	A
10	Cushion block-front windshield				
	8-94434-770-0	5206015-44		02	A
15	Sealing board				
	8-97412-958-0	5206711-P301		01	A
					Dark grey
18	Fastening nail				
	8-98029-086-0			04	A
					(A)
					Length= 100 B=8
	8-98083-198-0			04	A
					(B)
					Length= 100 B=10

6-20

Side board and pedal

Figure No.

Sideboard

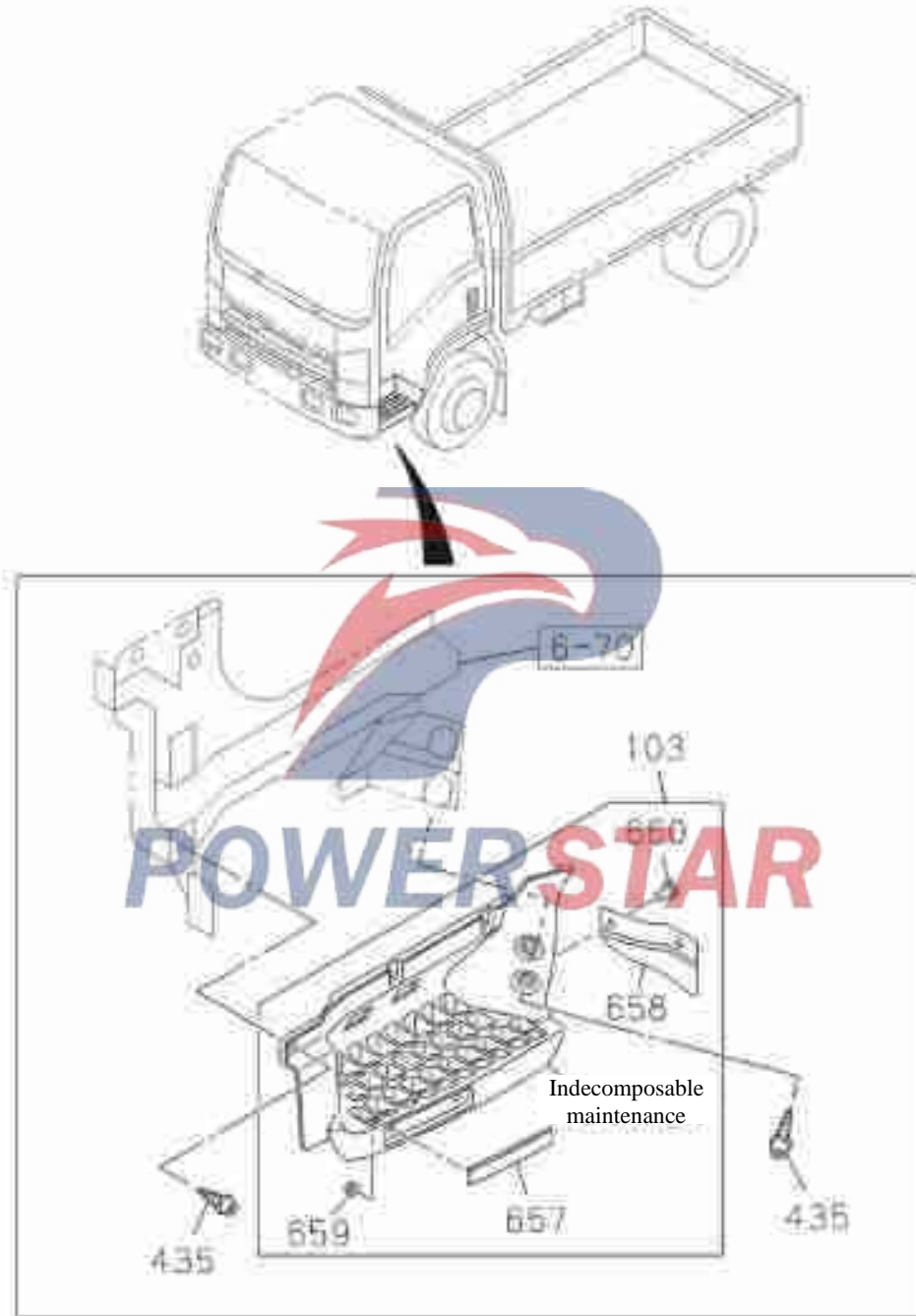


Side board and pedal

6-20

Sideboard

Figure No.



6-20

Side board and pedal

Figure No.

Sideboard

N/S	Recommended specification / name				Applicable models / applicable status / notes
	Isuzu figure No.	QingLing figure No.	Left/Right	Qty.	
					Single cab
3	Front pillar inner plate sub-assembly				
	8-98058-236-1	5401720-P301	Right	01	A
	8-98058-237-1	5401230-P301	Left	01	A
7	Reinforcing plate assembly - door chain				
	8-97585-240-2	5401620-P301	Right	01	A
	8-97585-244-2	5401120-P301	Left	01	A
15	Side wall upper side beam				
	8-97585-294-2	5401811-P301	Right	01	A (A)
	8-97585-295-2	5401321-P301	Left	01	A (A)
	8-97585-302-2	5401820-P301	Right	01	A Right reinforcing plate assembly-belt straps (B)
	8-97585-303-2	5401310-P301	Left	01	A Left reinforcing plate assembly-belt straps (B)
92	Throttle board - cab				
	8-98055-461-1		Right	01	A
	8-98055-462-1		Left	01	A

Side board and pedal

6-20

Figure No.

N/S	Recommended specification / name				
	Isuzu figure No.	QingLing figure No.	Left/Right	Qty.	Applicable models / applicable status / notes
					Single cab
100	Side wall assembly				
	8-97410-853-6	5400030-P301	Right	01	A
	8-97586-053-7	5400010-P301	Left	01	A
103	Pedal assembly				
	8-98022-774-2	8405020-P301	Right	01	A
	8-98022-775-2	8405010-P301	Left	01	A
168	Self-tapping screw				
	0-38050-616-0	Q2360620		08	A
					M6*20
210	Reinforcing plate assembly - door bumper block				
	8-97585-260-4	5401630-P301	Right	01	A
	8-97585-261-4	5401130-P301	Left	01	A
246	C-pillar inner panel				
	8-97585-301-3	5401301-P301	Left	01	A
	8-97586-154-3	5401801-P301	Right	01	A
249	Reinforcing plate assembly-rear pillar auxiliary handle				
	8-98012-287-1	5401330-P301		02	A

6-20

Side board and pedal

Figure No.

N/S	Recommended specification / name				
	Isuzu figure No.	QingLing figure No.	Left/Right	Qty.	Applicable models / applicable status / notes Single cab
408	----- Gusset plate assembly-lower part of front column				
	8-97585-316-2	5401710-P301	Right	01	A
	8-97585-317-3	5401220-P301	Left	01	A
433	----- Four-corner welded nut				
	9-09114-086-0	T364A06		04	A
435	----- Screw-pedal assembly				
	8-98004-345-0	8405111-P301		12	A
437	----- Reinforcing plate assembly-auxiliary side handle				
	8-98039-019-0	5401860-P301	Right	01	A
	8-98039-020-0	5401360-P301	Left	01	A
481	----- Inner plate assembly - window side column				
	8-98072-801-1		Left	01	A
	8-98081-766-1		Right	01	A
482	----- Inner plate assembly - window side column				
	8-98055-472-0		Right	01	A
	8-98055-464-0		Left	01	A

Side board and pedal

6-20

Figure No.

N/S	Recommended specification / name				
	Isuzu figure No.	QingLing figure No.	Left/Right	Qty.	Applicable models / applicable status / notes
					Single cab
483	Inner panel-top border				
	8-98055-458-0		Right	01	A
	8-98055-460-0		Left	01	A
486	Sealing fin				
	8-98059-421-0			04	A
	Outer diameter=20 Thickness =0.05 Black				
	5-76777-036-0			04	A
	Outer diameter=20 Thickness =0.05 Black				
649	Antenna fixing base				
	8-97249-574-0	8401102-P301	Left	02	A
657	Transmitter - front pedal				
	8-97378-910-0	8405012-P301		02	A
658	Baffle - front pedal				
	8-98037-560-0	8405014-P301		02	A
659	Clip piece				
	8-97811-510-0	8405013-P301		04	A

6-20

Side board and pedal

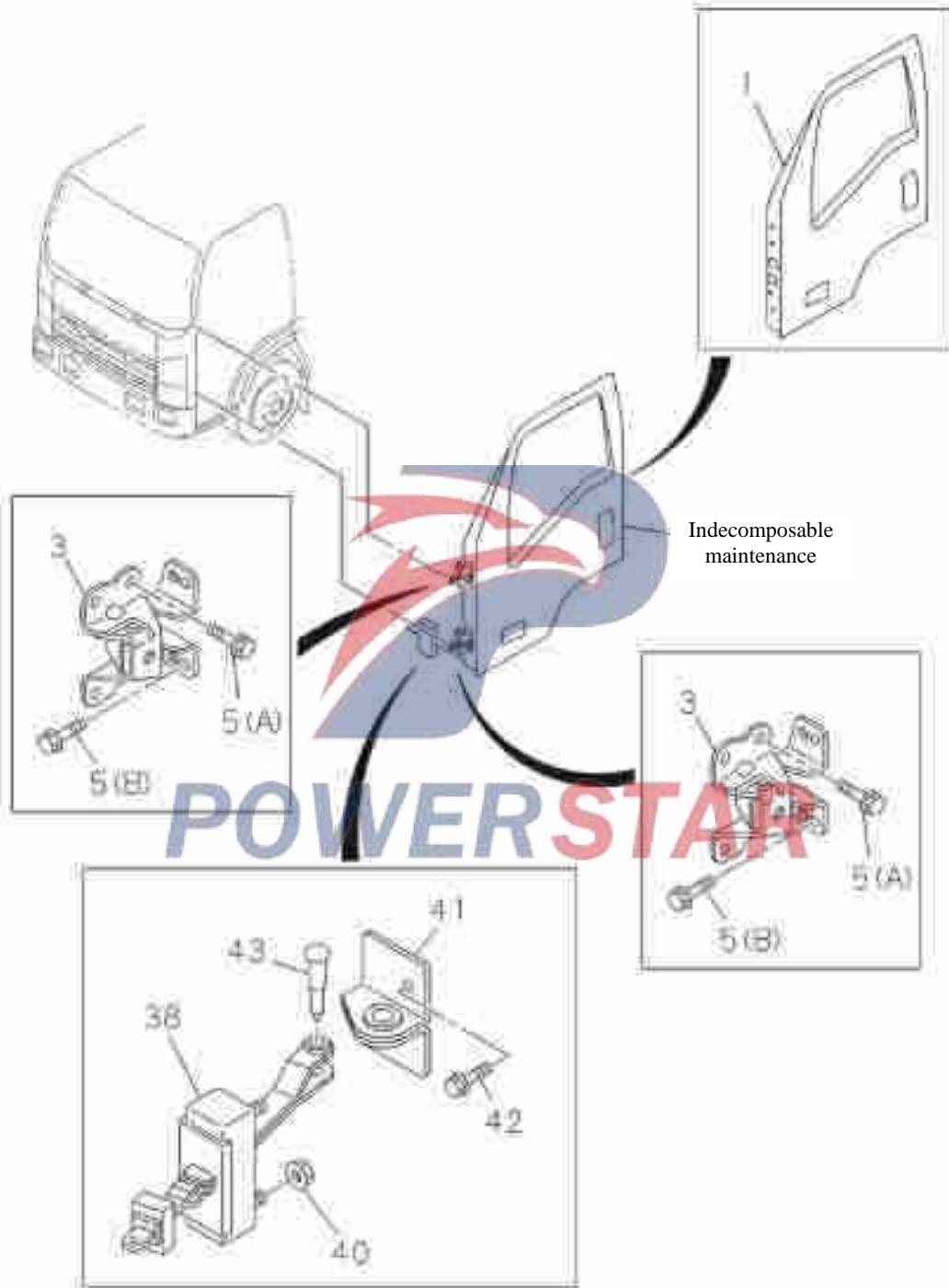
Figure No.

N/S	Recommended specification / name				Applicable models / applicable status / notes
	Isuzu figure No.	QingLing figure No.	Left/Right	Qty.	
660	Blocking nail				Single cab
	8-97997-832-0	8405015-P301		04	A Outer diameter=8.3
662	Air intake pipe bracket assembly				
	8-97584-611-1	5601100-P301	Right	01	A
663	Bracket assembly-front part of air filter				
	8-97585-207-2	5401610-P301	Right	01	A
	8-97585-208-2	5401110-P301	Left	01	A
665	Reinforcing plate assembly-front pillar auxiliary handle				
	8-97585-314-0	5401210-P301		02	A
676	Sealing gasket				
	1-76798-020-0			01	A Outer diameter=20 thickness =0.4 black

Front door and hinge

6-30

Figure No.



6-30

Front door and hinge

Figure No.

N/S	Recommended specification / name				
	Isuzu figure No.	QingLing figure No.	Left/Right	Qty.	Applicable models / applicable status / notes
					Single cab
1	Door assembly				
	8-98075-728-0	6100020-P302	Right	01	A
	8-98075-729-0	6100010-P302	Left	01	A
3	Hinge assembly, door				
	8-98038-293-0	6106010-P301		04	A
5	Bolt-door hinge				
	8-98029-440-0	6106021-P301		16	A
					(H) M18×23 Tape reel
	8-98049-756-0	6106022-P301		12	A
					(A) M18×20 Tape reel
38	Inspection arm assembly				
	8-98031-730-4			02	A
40	Nut				
	8-98029-441-0			04	A
					M18 Tape reel
41	Connecting rod assembly				
	8-98029-290-3			02	A

Front door and hinge

6-30

Figure No.

N/S	Recommended specification / name				
	Isuzu figure No.	QingLing figure No.	Left/Right	Qty.	Applicable models / applicable status / notes
					Single cab
42	----- Bolt				
	8-98032-159-2			04 A	M16*20
43	----- Pin				
	8-98037-152-2			02 A	

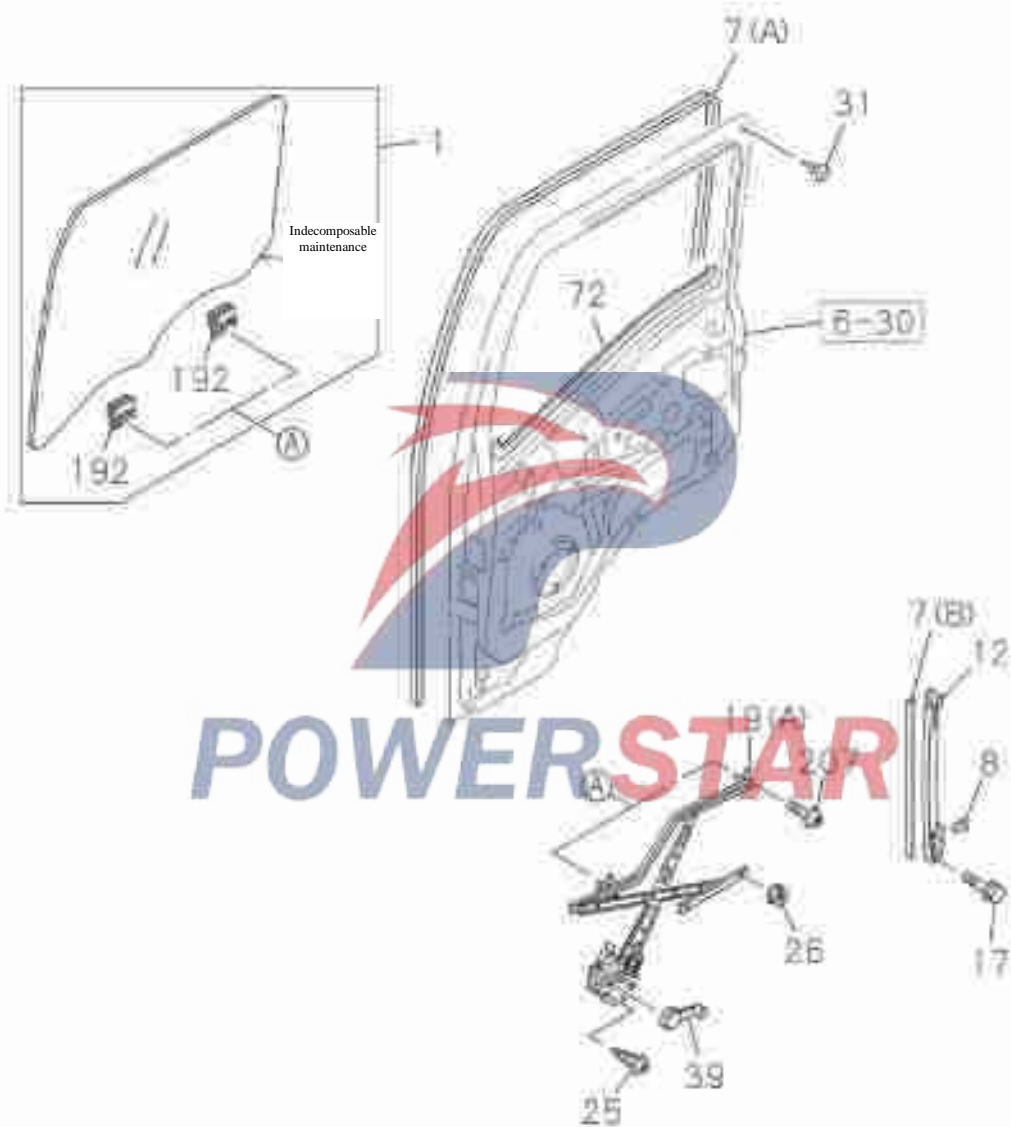


POWERSTAR

6-31

Front window regulator assembly, door

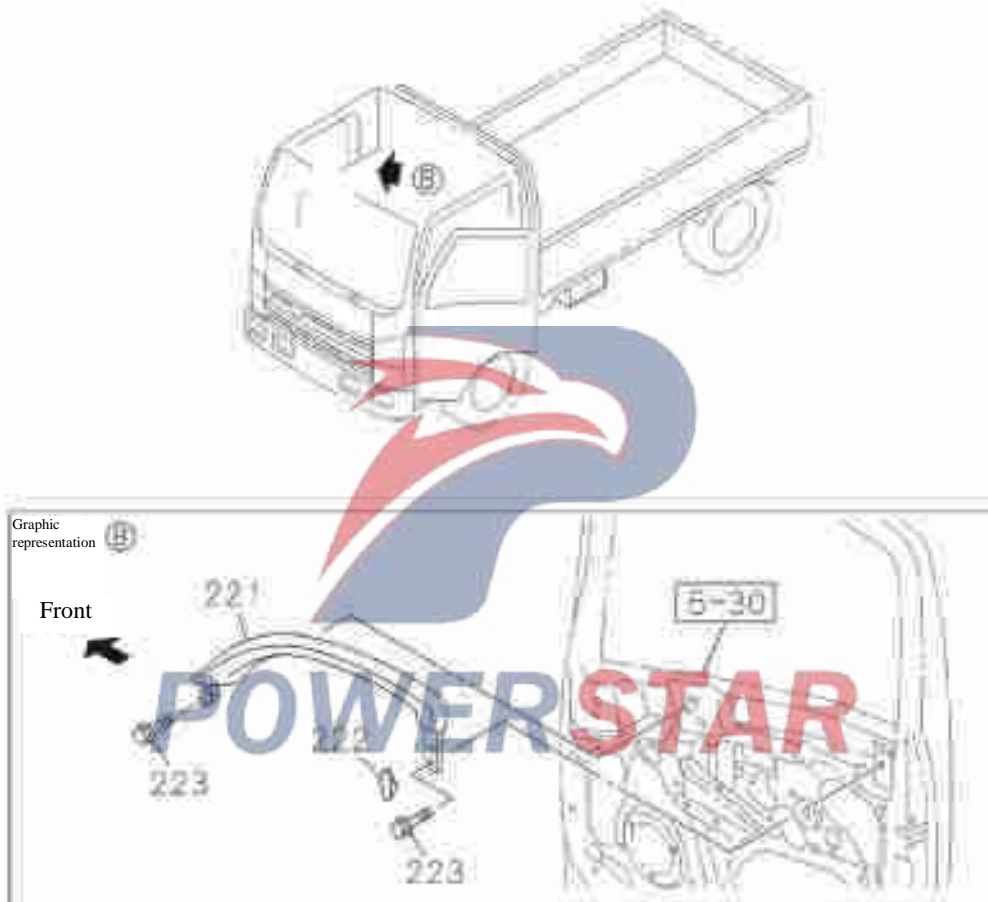
Figure No.



Front window regulator assembly, door

6-31

Figure No.



6-31

Front window regulator assembly, door

Figure No.

N/S	Recommended specification / name				
	Isuzu figure No.	QingLing figure No.	Left/Right	Qty.	Applicable models / applicable status / notes
					A Single cab
1	---- Glass assembly, door (FR)				
	8-98029-189-1	6103020-P301	Right	01	A
	8-98029-190-1	6103010-P301	Left	01	A
7	---- Glass sliding tape - front door				
	8-98029-195-3	6107241-P301	Right	01	A (A)
	8-98029-196-3	6107231-P301	Left	01	A (A)
	8-98031-742-2	6107261-P301		02	A (B)
8	---- Clip				
	8-98048-796-0			02	A
12	---- Guide trough assembly - front door glass				
	8-98024-838-3	6107280-P301	Right	01	A
	8-98024-839-3	6107270-P301	Left	01	A
17	---- Bolt				
	8-98032-500-0			04	A M6×10 Tape reel

Front window regulator assembly, door

6-31

Figure No.

N/S	Recommended specification / name			
	Isuzu figure No.	QingLing figure No.	Left/Right	Qty.
				Applicable models / applicable status / notes
				A Single cab
19	Front door window lifting mechanism assembly			
	8-98029-233-2		Right	01 A Manual (A)
	8-98029-234-2		Left	01 A Manual (A)
25	Bolt			
	8-98032-500-0			08 A M6*10 Tape reel
26	Hexagon flange nut			
	0-91180-106-0	Q32006		04 A M6 Tape reel
31	Limit rubber cushion-front door			
	8-94358-581-0			04 A
39	Handle assembly			
	8-97405-313-3	6107290-P301		02 A Grey

6-31

Front window regulator assembly, door


Figure No.

N/S	Recommended specification / name				
	Isuzu figure No.	QingLing figure No.	Left/Right	Qty.	Applicable models / applicable status / notes
					Single cab
72	----- Decoration strip assembly				
	8-98029-192-1	6107140-P301	Right	01	A
	8-98029-193-1	6107130-P301	Left	01	A
192	----- Holder assembly-front door glass				
	8-98041-907-0	6103030-P301		04	A
207	----- Bolt				
	8-98032-500-0			04	A
					M6×10 Tape reel
221	----- Armrest - upper of front door				
	8-97405-316-1	6107521-P301	Right	01	A
					Dark grey
	8-97405-317-1	6107511-P301	Left	01	A
					Dark grey
222	----- Decorative cap - armrest				
	8-97405-318-0	6107541-P301	Right	01	A
					Grey
	8-97405-319-1	6107531-P301	Left	01	A
					Grey

Front window regulator assembly, door

6-31

Figure No.

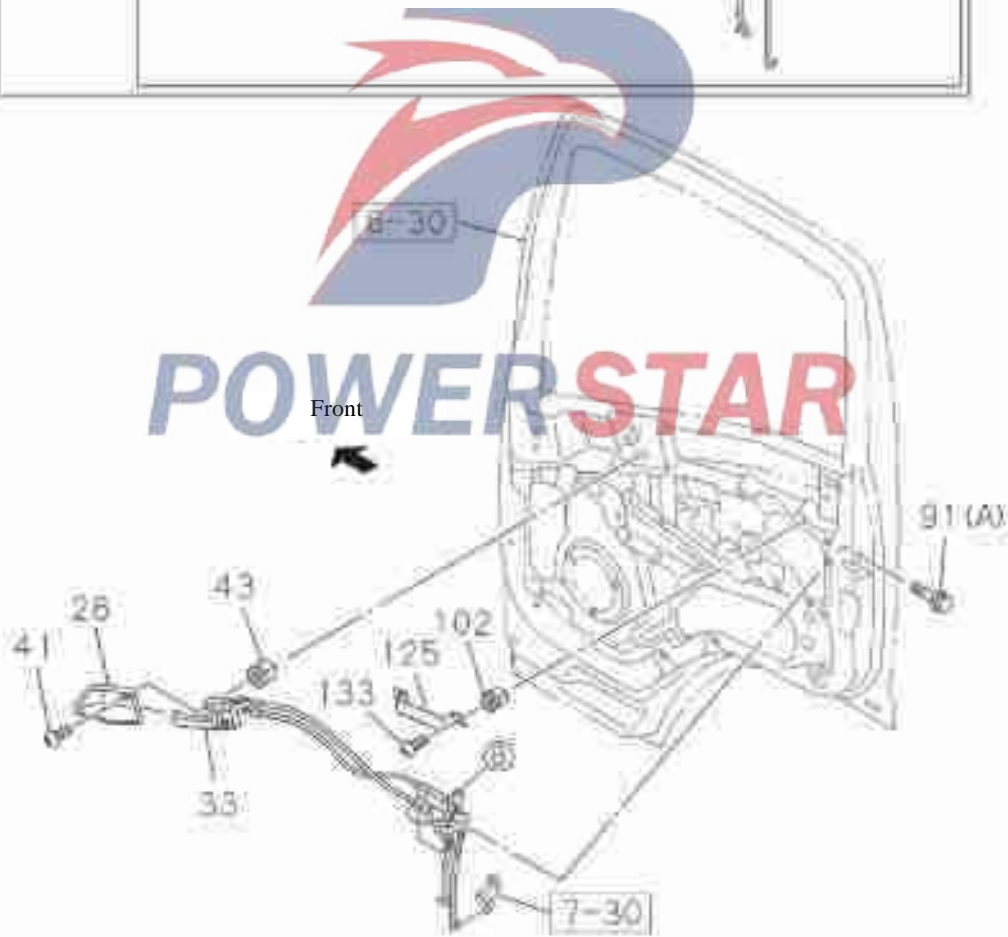
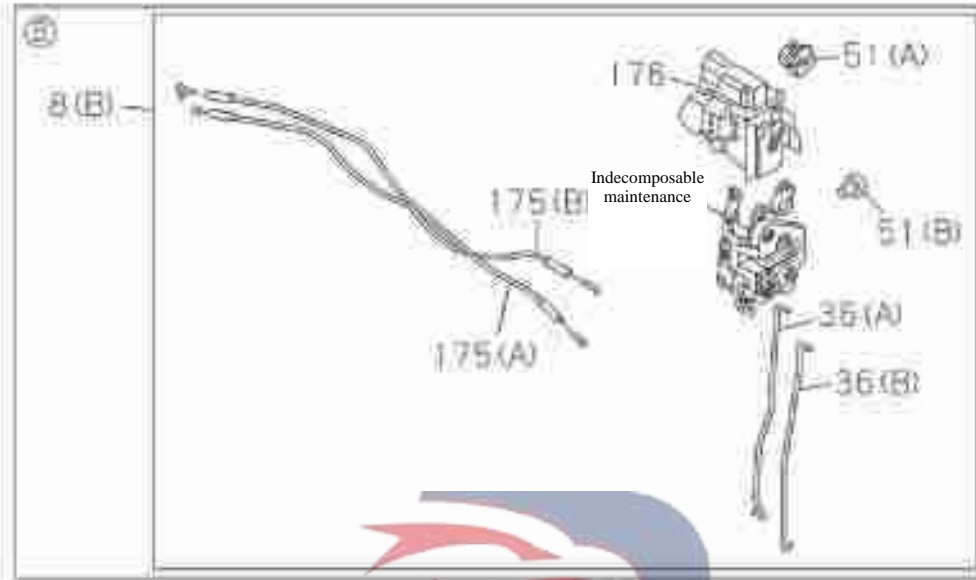
N/S	Recommended specification / name			
	Isuzu figure No.	QingLing figure No.	Left/Right	Qty.
				Applicable models / applicable status / notes Single cab
223	0-38050-625-0		08	A M6×25
				

6-32

Front door lock and handle

Figure No.

Non-automatic door lock

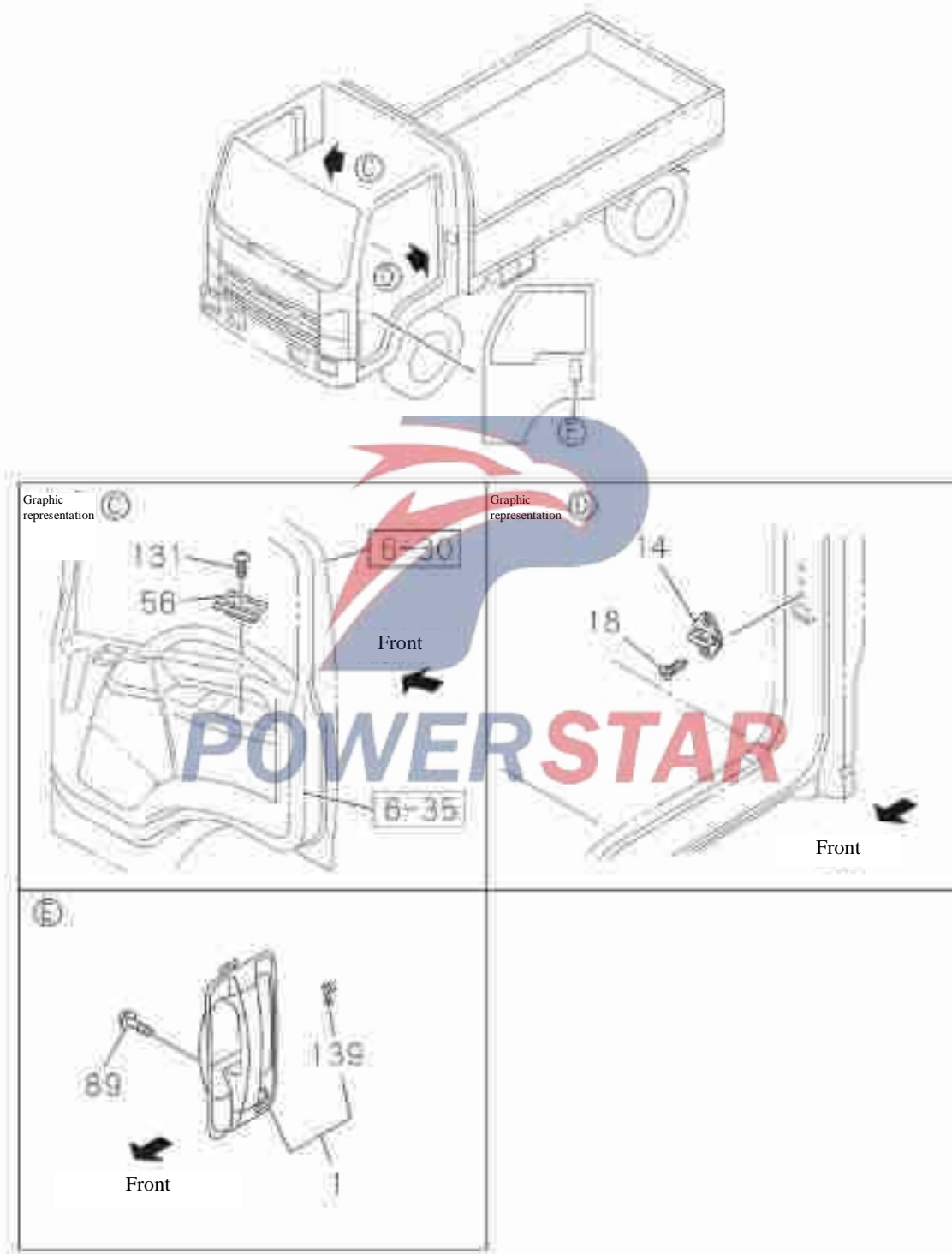


Front door lock and handle

6-32

Other parts

Figure No.



6-32

Front door lock and handle

Figure No.

N/S	Recommended specification / name				
	Isuzu figure No.	QingLing figure No.	Left/Right	Qty.	Applicable models / applicable status / notes
					Single cab
1	Front outer door handle assembly				
	8-98037-100-1	6107320-P301	Left	01	A
	8-98037-101-1	6107310-P301	Right	01	A
8	Lock assembly - front door				
	8-98029-052-2		Right	01	A
	8-98029-053-2		Left	01	A
14	Impact block assembly - front door				
	8-98029-173-1	6107210-P301		02	A
18	Screw - impact block assembly				
	8-98004-343-2			04	A
					M18x20
28	Decorative cover - front door inner handle				
	8-97405-311-0	6107581-P301	Right	01	A
					Dark grey
	8-97405-312-0	6107591-P301	Left	01	A
					Dark grey

Front door lock and handle

6-32

Figure No.

N/S	Recommended specification / name			
	Isuzu figure No.	QingLing figure No.	Left/Right	Qty.
				Applicable models / applicable status / notes
				Single cab
33	Front cab mounting rod assembly			
	8-97405-309-1		Right	01 A Dark grey
	8-97405-310-1		Left	01 A Dark grey
36	Inside lever - door lock			
	8-98058-531-0		Right	01 A (A)
	8-98058-532-0		Left	01 A (A)
	8-98058-535-0		Right	01 A (B)
	8-98058-536-0		Left	01 A (B)
41	Screw			
	0-72380-516-0			02 A M5*16
43	Pad nut-inner handle			
	8-94279-078-0	5107223-P301		02 A Diameter=8×8 Length = 7.5 M5

6-32

Front door lock and handle

Figure No.

N/S	Recommended specification / name				
	Isuzu figure No.	QingLing figure No.	Left/Right	Qty.	Applicable models / applicable status / notes
					Single cab
51	Blockage				
	8-98058-226-0		Right	02	A (A)
	8-98058-227-0		Left	02	A (A)
56	Inner handle box				
	8-97405-314-1	6107551-P301	Left	01	A Grey
	8-97405-315-1	6107561-P301	Left	01	A
89	Screw				
	8-98032-500-0			04	A M6×10
91	Bolt				
	8-98004-342-0			06	A (A) M6×14.5
102	Pad nut-inner handle				
	8-94279-078-0	5107223-801		06	A Diameter=8×8 Length = 7.5 M5

Front door lock and handle

6-32

Figure No.

N/S	Recommended specification / name				Applicable models / applicable status / notes
	Isuzu figure No.	QingLing figure No.	Left/Right	Qty.	
125	Bracket				Single cab
	8-97585-927-0	6107011-P301		02	A
131	Screw				
	0-72380-516-0			02	A
					M5×16
133	Screw				
	0-72380-516-0			06	A
					M5×16
139	Retainer - outer handle				
	8-98095-813-0		Right	01	A
					Black
	8-97333-303-0		Left	01	A
					White
175	Cable assembly				
	8-98058-537-0		Right	01	A
					(A)
	8-98058-538-0		Left	01	A
					(A)
	8-98058-539-0			02	A
					(B)

6-32

Front door lock and handle

Figure No.

N/S	Recommended specification / name				
	Isuzu figure No.	QingLing figure No.	Left/Right	Qty.	Applicable models / applicable status / notes
					Single cab
176	----- Cover - door lock				
	8-98058-238-0		Right	01	A
	8-98058-239-0		Left	01	A

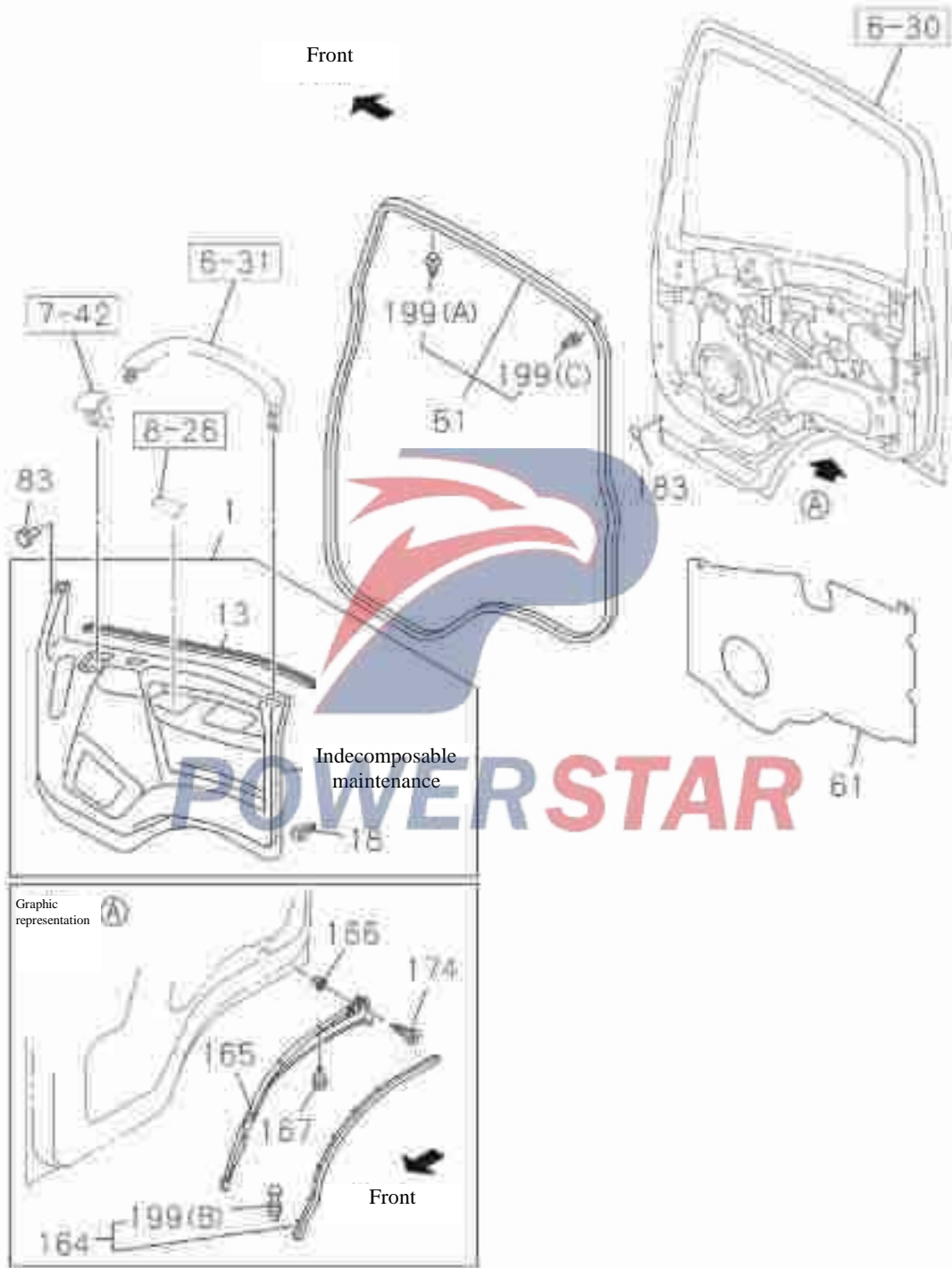


POWERSTAR

Front interior rubber molding, door

6-35

Figure No.



6-35

Front interior rubber molding, door

Figure No.

N/S	Recommended specification / name				
	Isuzu figure No.	QingLing figure No.	Left/Right	Qty.	Applicable models / applicable status / notes
					Single cab
1	Front door trim assembly				
	8-97405-305-6	8200920-P301	Right	01	Manual Grey
	8-97405-307-6	8200910-P301	Left	01	Manual Grey
13	Gib				
	8-98029-201-1	8200441-P301	Right	01	A
	8-98029-202-1	8200431-P301	Left	01	A
18	Clip				
	8-98004-025-0	8200521-P301		14	A
51	Decoration strip				
	8-98029-198-3	6107030-P301	Right	01	A
	8-98029-199-3	6107020-P301	Left	01	A
61	Water seal - front door				
	8-98029-394-2	6107621-P301		01	A
	8-98029-395-2	6107611-P301	Left	01	A
83	Holder				
	8-97405-308-0	8200991-P301		02	A Grey

Front interior rubber molding, door

6-35

Figure No.

N/S	Recommended specification / name				Applicable models / applicable status / notes
	Isuzu figure No.	QingLing figure No.	Left/Right	Qty.	
					Single cab
164	---- Wheel eyebrow seal assembly				
	8-98022-741-1	6107110-P301		02	A
165	---- Wheel eyebrow				
	8-98022-738-1	6107460-P301	Right	01	A
	8-98022-739-1	6107450-P301	Left	01	A
166	---- Washer nut				
	8-94279-078-0	5107223-801		04	A
	Diameter=8×8 Length = 7.5 M5				
167	---- Fastening nail-baffle				
	1-09983-105-0			06	A
	Diameter=16				
174	---- Screw				
	0-72180-512-0			04	A
	M5×12				
183	---- Sealing cover sheet				
	1-76798-019-0	8200143-B03		02	A
	Outer diameter =25 Black				

6-35

Front interior rubber molding, door

Figure No.

N/S	Recommended specification / name				
	Isuzu figure No.	QingLing figure No.	Left/Right	Qty.	Applicable models / applicable status / notes
					Single cab
199	---- Fastening nail				
	8-98027-457-0			20	A (B)
	8-98062-270-0	6107051-P301		80	A (A)
	8-98062-271-0	6107061-P301		02	A (C)

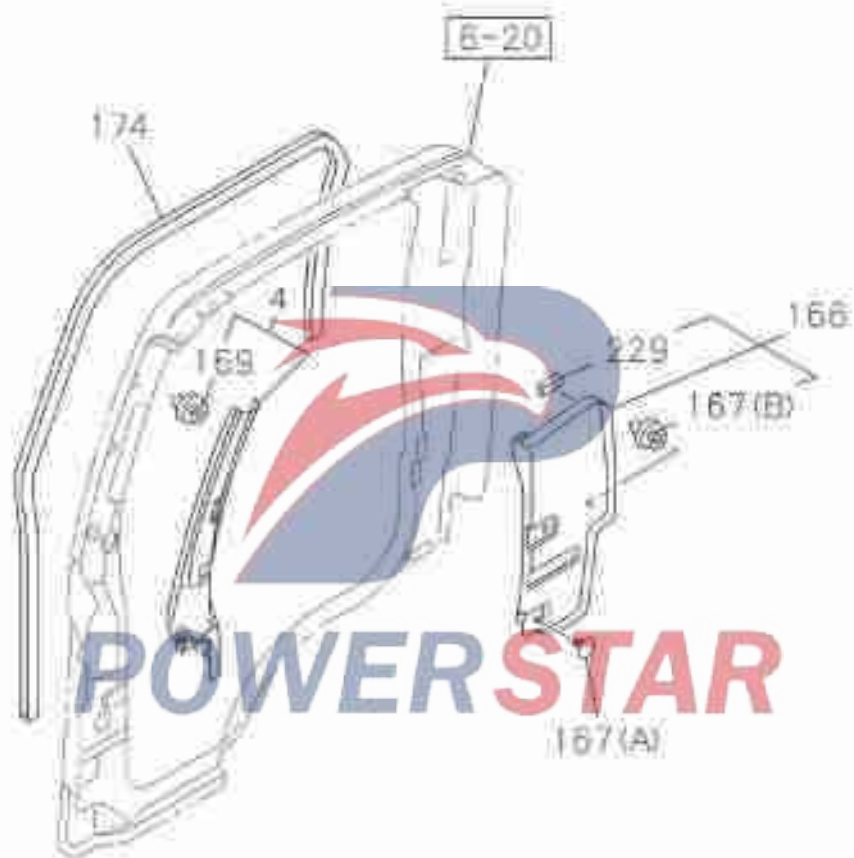


POWERSTAR

Side decorating parts

6-43

Figure No.



6-43

Side decorating parts

Figure No.

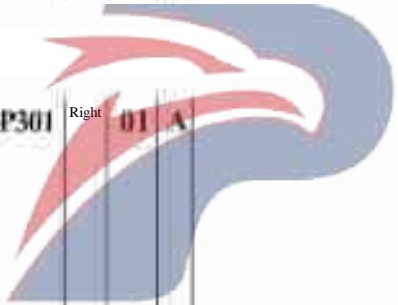
N/S	Recommended specification / name				Applicable models / applicable status / notes
	Isuzu figure No.	QingLing figure No.	Left/Right	Qty.	
					Single cab
4	Decorative plate assembly-front pillar				
	8-97405-254-2	8200820-P301	Right	01	A Dark grey
	8-97405-255-2	8200810-P301	Left	01	A Dark grey
166	Lower trim panel assembly, back wall				
	8-97405-297-2	5206610-P301		01	A Grey
	8-97412-727-0	5206620-P301	Right	01	A Grey
167	Holder				
	8-97406-421-0	5206651-P301		04	A (A) Grey
	8-98059-610-0	5206471-P301		06	A Clip (B)
169	Fixed nail-door trim				
	8-94279-974-1	8200831-P301		04	A Diameter =7.9 Black

Side decorating parts

6-43

Figure No.

N/S	Recommended specification / name				Applicable models / applicable status / notes
	Isuzu figure No.	QingLing figure No.	Left/Right	Qty.	
					A Single cab
174	----- Sealing joint strip- front door				
	8-97405-283-2	6107160-P301	Right	01	A Dark grey
	8-97405-288-2	6107150-P301	Left	01	A Dark grey
229	----- Sealing fin				
	8-98081-818-0	5206481-P301	Right	01	A



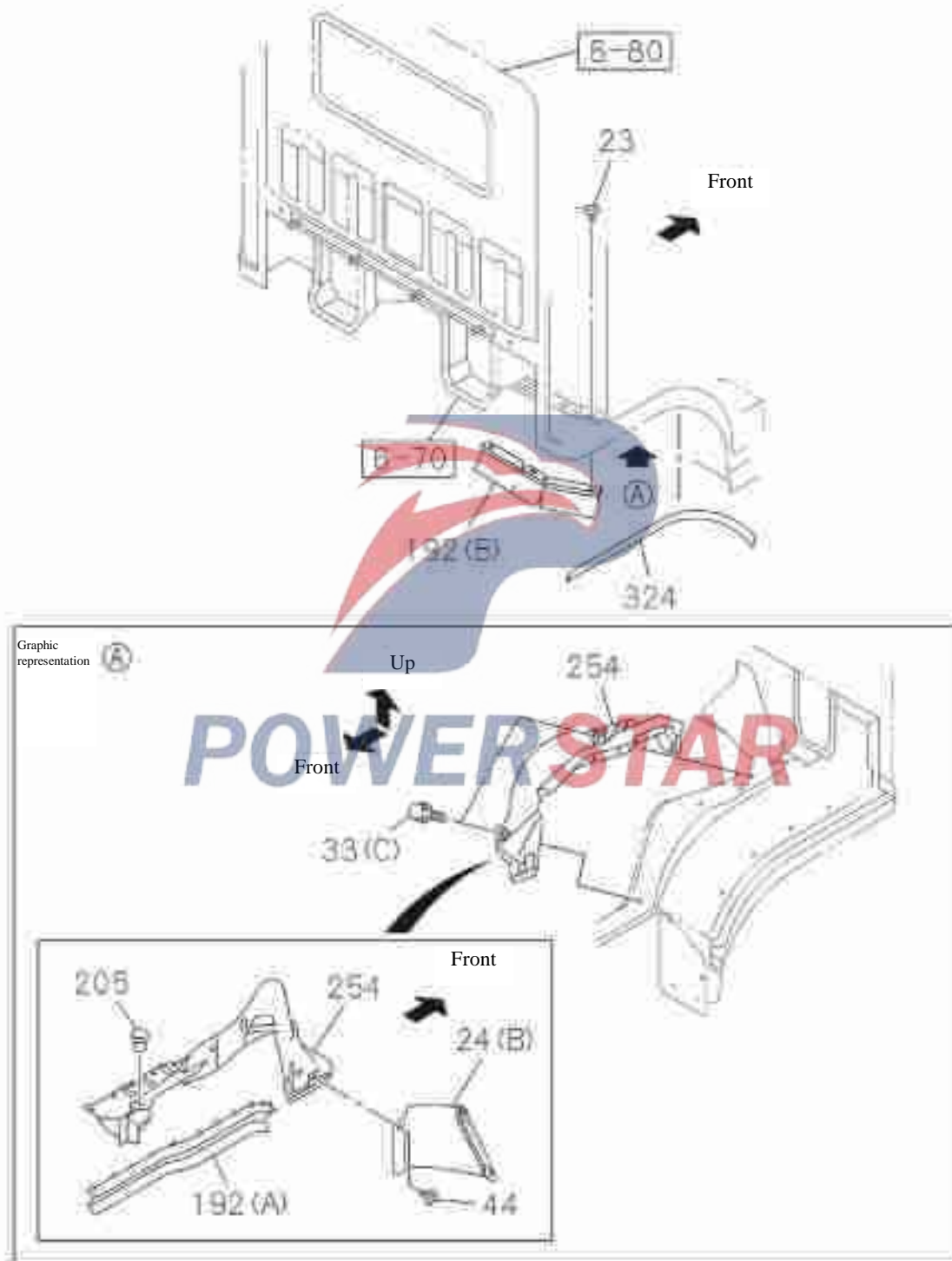
POWERSTAR

6-47

Front mudguard and baffle plate

Figure No.

Protection cover and other parts



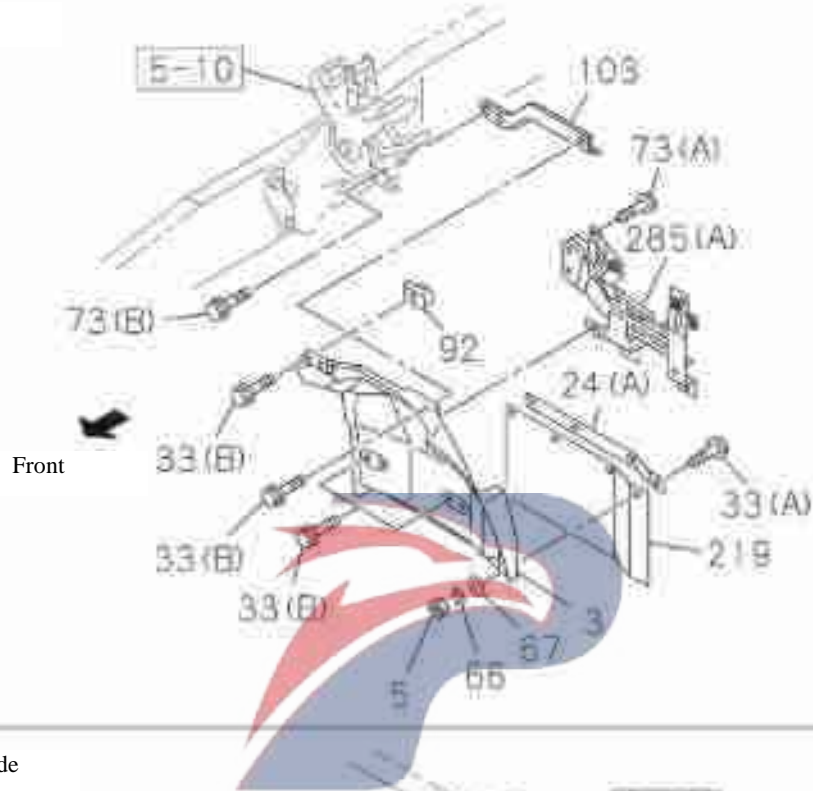
Front mudguard and baffle plate

6-47

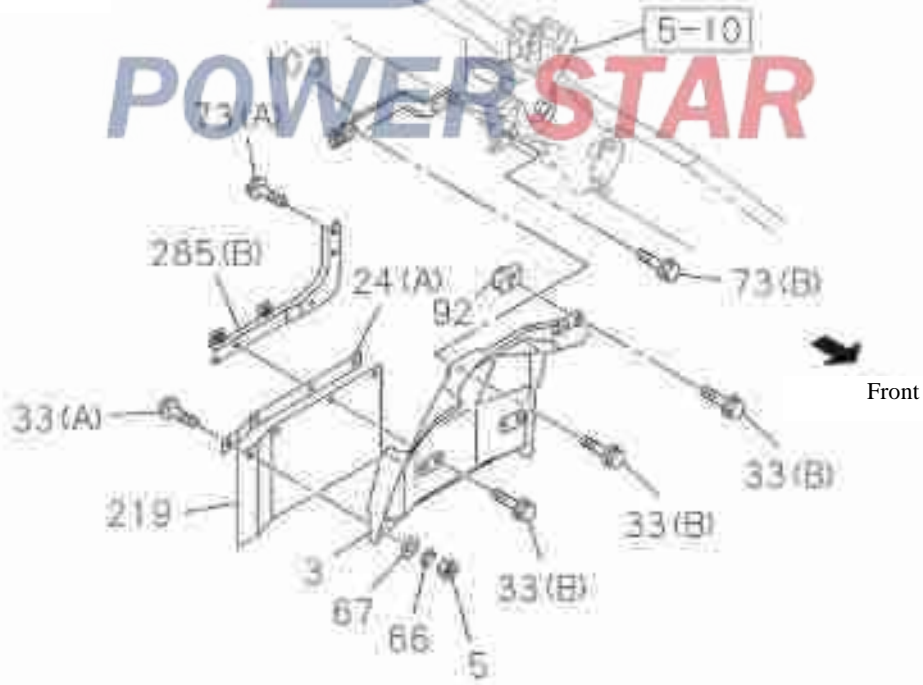
Mudguard

Figure No.

Left side



Right side

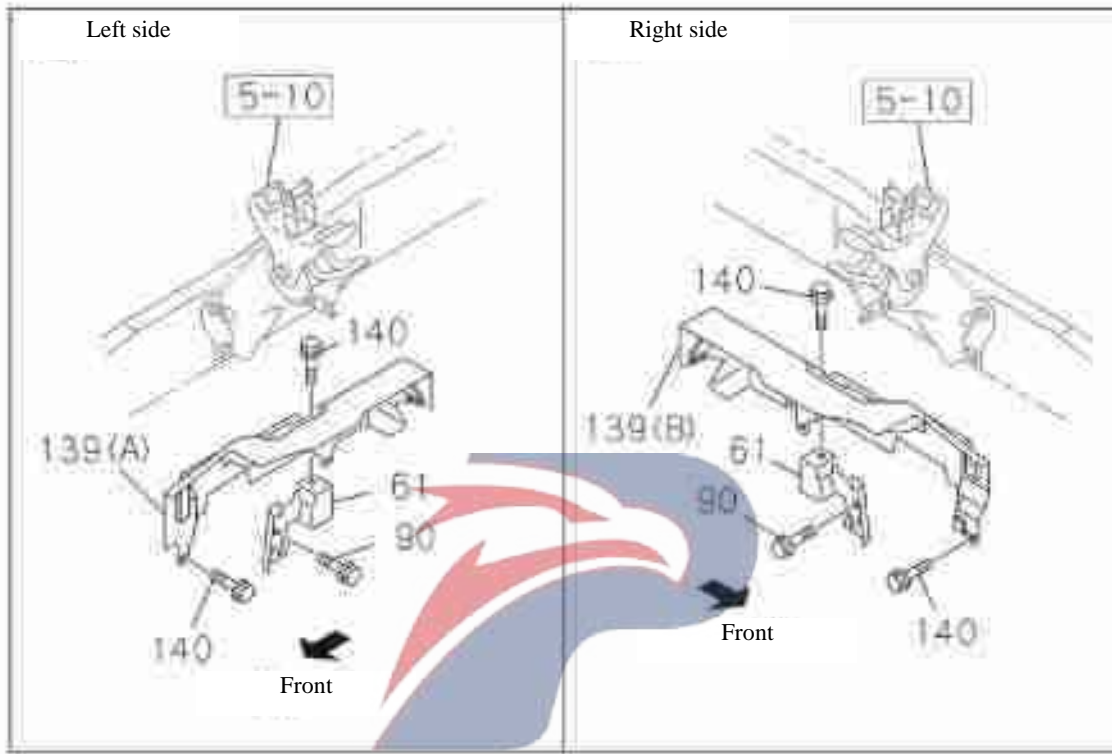


6-47

Front mudguard and baffle plate

Figure No.

Protection cover and other parts



POWERSTAR

Front mudguard and baffle plate

6-47

Figure No.

N/S	Recommended specification / name				Applicable models / applicable status / notes
	Isuzu figure No.	QingLing figure No.	Left/Right	Qty.	
3	----- Cover - front wheel				
	8-98004-029-4	3102141-P301	Right	01	A
	8-98004-030-4	3102131-P301	Left	01	A
5	----- Hexagon nut (type I)				
	0-91110-506-0	Q340B06T13E2		08	A
					M6
23	----- Blocking nail-mudguard cover				
	8-97997-832-0	8405015-P301		06	A
					Diameter=8.3
24	----- Connection board				
	8-98004-031-1	3102161-P301		02	A
					(A)
	8-98037-561-0	5002713-P301		02	A
					Mudguard
					(B)
33	----- Hexagon flange bolt				
	0-28050-620-0	Q1840620		08	A
					(A)
					M6×20

6-47

Front mudguard and baffle plate

Figure No.

N/S	Recommended specification / name				Applicable models / applicable status / notes
	Isuzu figure No.	QingLing figure No.	Left/Right	Qty.	
					Single cab
33	Hexagon flange bolt				
	1-09030-093-0	5002711-P301		08 A	Combination bolt (B) M8×25
	8-98016-982-0			04 A	Bolt (C) M6×16 Tape reel
44	Clamp				
	1-76378-155-0	5002714-P301		06 A	Outer diameter=8×16 Length = 11 M5
61	Bracket assembly				
	8-98040-465-1	5002210-P301	Right	01 A	
	8-98040-466-1	5002220-P301	Left	01 A	
66	Heavy duty spring washer				
	0-91510-606-0	Q40506		08 A	Inner diameter=6.1
67	Flat washer				
	0-91610-606-0	Q40106		08 A	Inner diameter=6.4

Front mudguard and baffle plate

6-47

Figure No.

N/S	Recommended specification / name				Applicable models / applicable status / notes
	Isuzu figure No.	QingLing figure No.	Left/Right	Qty.	
73	Hexagon flange bolt				Single cab
	0-28650-825-0	Q1840825		04	A (B) M8×25
	0-28651-025-0	Q1841025		04	A (A) M10×25
90	Hexagon flange bolt				
	0-28650-825-0	Q1840825		04	A M8×25
92	Nut clip assembly				
	8-98039-860-2	5002710-P301		02	A M8
103	Bracket				
	8-98001-315-2	5002191-P301	Right	01	A
	8-98001-319-2	5002181-P301	Left	01	A
139	Front protection cover assembly				
	8-98043-920-2	5002340-P301	Right	01	A (B)

6-47

Front mudguard and baffle plate

Figure No.

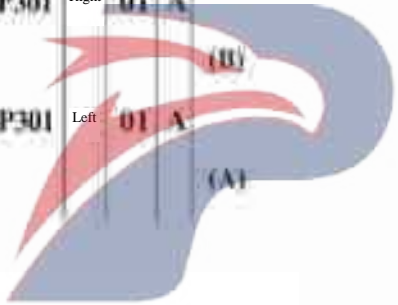
N/S	Recommended specification / name				
	Isuzu figure No.	QingLing figure No.	Left/Right	Qty.	Applicable models / applicable status / notes
					A Single cab
139	Front protection cover assembly				
	8-98038-884-4	5002330-P301	Left	01	A (A)
140	Combination bolt				
	1-09030-094-0	5002117-P301		06	A M8×35
192	Sealing cover sheet-mudguard				
	8-98022-755-0	5002842-P301	Right	01	A (A)
	8-98022-756-0	5002832-P301	Left	01	A (A)
	8-98022-782-0	5002851-P301		02	A Sealing strip-mud cover (B)
205	Fastening nail				
	8-94242-150-0	2803224-803		02	A Diameter=5.8
219	Rubber gasket				
	8-98004-003-1	3102151-P301		02	A

Front mudguard and baffle plate

6-47

Figure No.

N/S	Recommended specification / name				
	Isuzu figure No.	QingLing figure No.	Left/Right	Qty.	Applicable models / applicable status / notes
					A Single cab
254	--- Mudguard-engine				
	8-98022-750-3	5002841-P301	Right	01	A
	8-98022-751-3	5002831-P301	Left	01	A
285	--- Bracket				
	8-98001-314-2	5002211-P301	Right	01	A
	8-98001-320-3	5002221-P301	Left	01	A
324	--- Sealing gasket				
	8-98022-786-1	5002811-P301		02	A

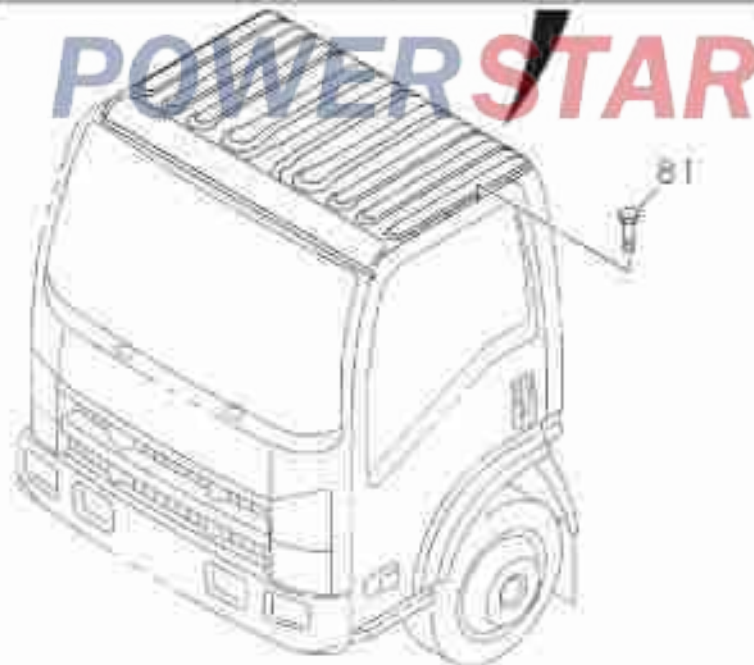
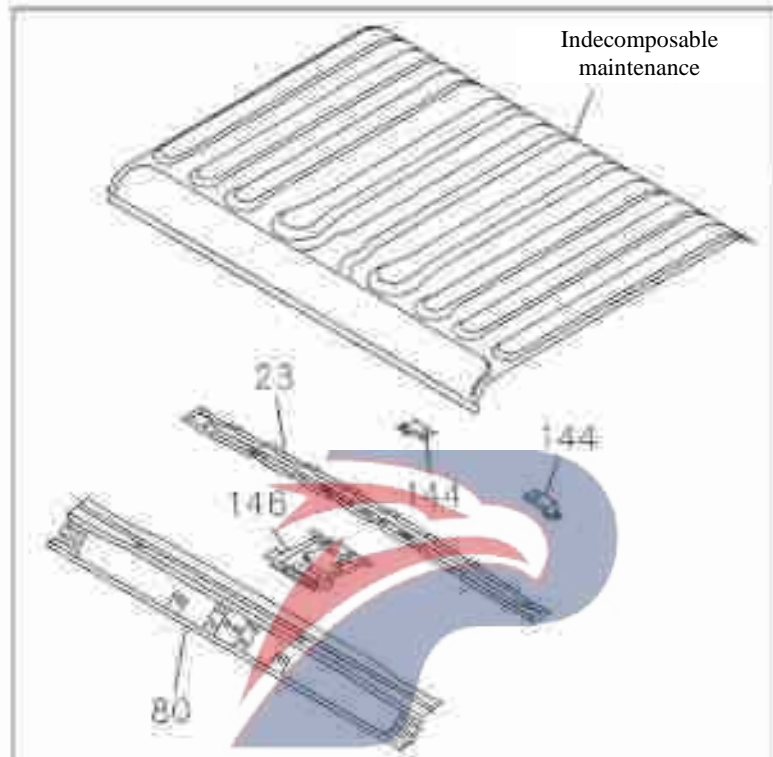


POWERSTAR

6-60

Roof cover

Figure No.



Roof cover

6-60

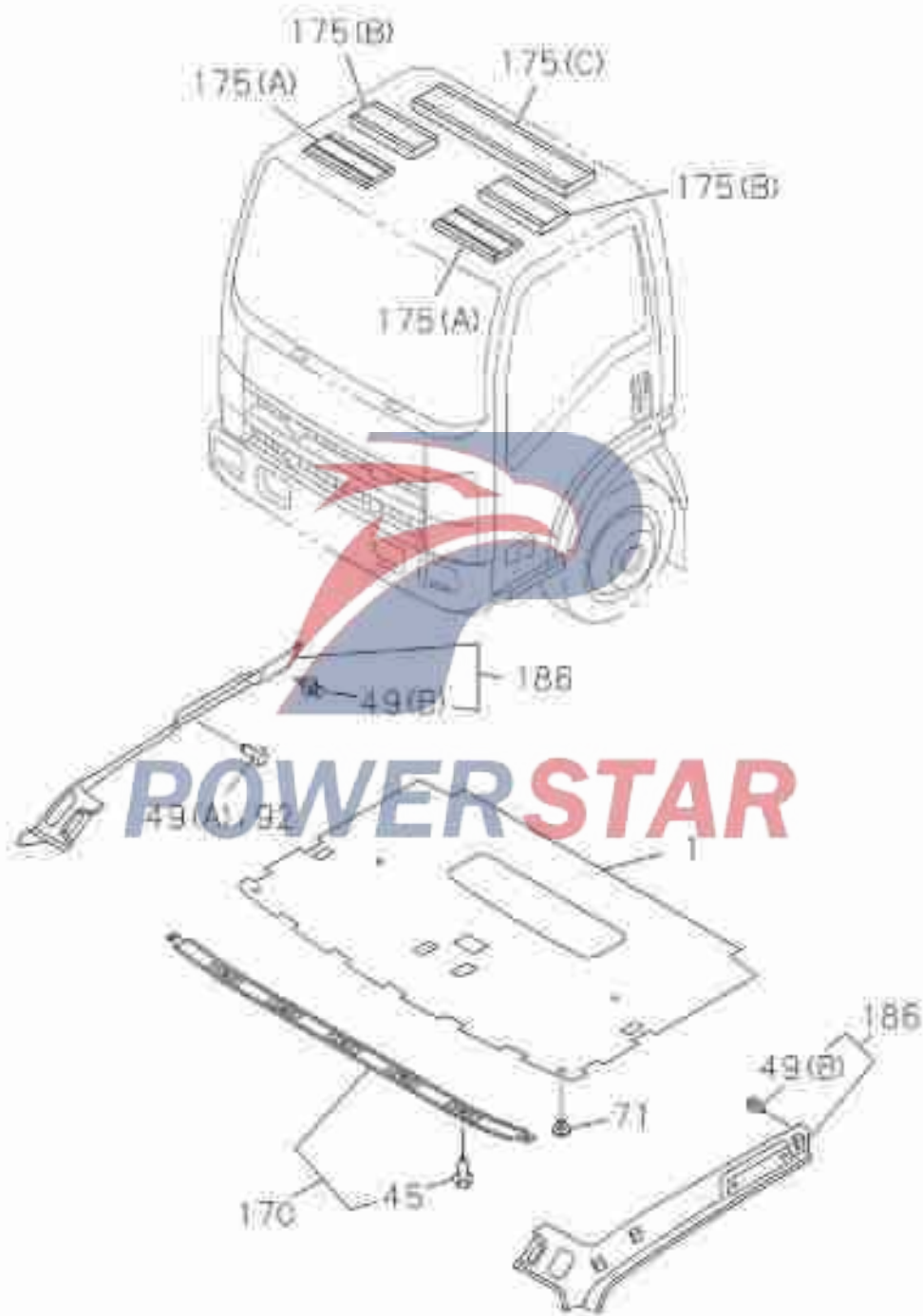
Figure No.

N/S	Recommended specification / name			
	Isuzu figure No.	QingLing figure No.	Left/Right	Qty.
				Applicable models / applicable status / notes Single cab
1	Head cover assembly			
	8-98024-941-6	5700010-P301		01 A
23	Enhanced version sub-assembly-front roof beam			
	8-98013-502-0	5701210-P301		01 A
80	Front cover beam assembly			
	8-97584-190-3	5701100-P301		01 A
81	Fixator assembly			
	8-98028-744-0			08 A
				M8x18
144	Bracket- head cover lining			
	8-98013-931-1	5700013-P301		02 A
146	Reinforcing plate assembly-dome lamp			
	8-98075-827-0	5701220-P301		02 A

6-66

Ceiling lining and decorating parts

Figure No.



Ceiling lining and decorating parts

6-66

Figure No.

N/S	Recommended specification / name				
	Isuzu figure No.	QingLing figure No.	Left/Right	Qty.	Applicable models / applicable status / notes
					Single cab
1	Head cover lining				
	8-97411-516-1	5206080-P301		01 A	Dark grey
45	Clip - gib				
	8-98035-592-1	5206421-P301		05 A	
49	Fastening nail				
	8-97407-768-0			02 A	(A) Dark grey
	8-98059-610-0	5206471-P301		03 A	Clip (B)
71	Fastening nail				
	8-97405-282-0			06 A	Dark grey
92	Fastening nail				
	8-97407-768-0			04 A	Dark grey
170	Fastening nail				
	8-97405-281-4			01 A	Dark grey

6-66

Ceiling lining and decorating parts

Figure No.

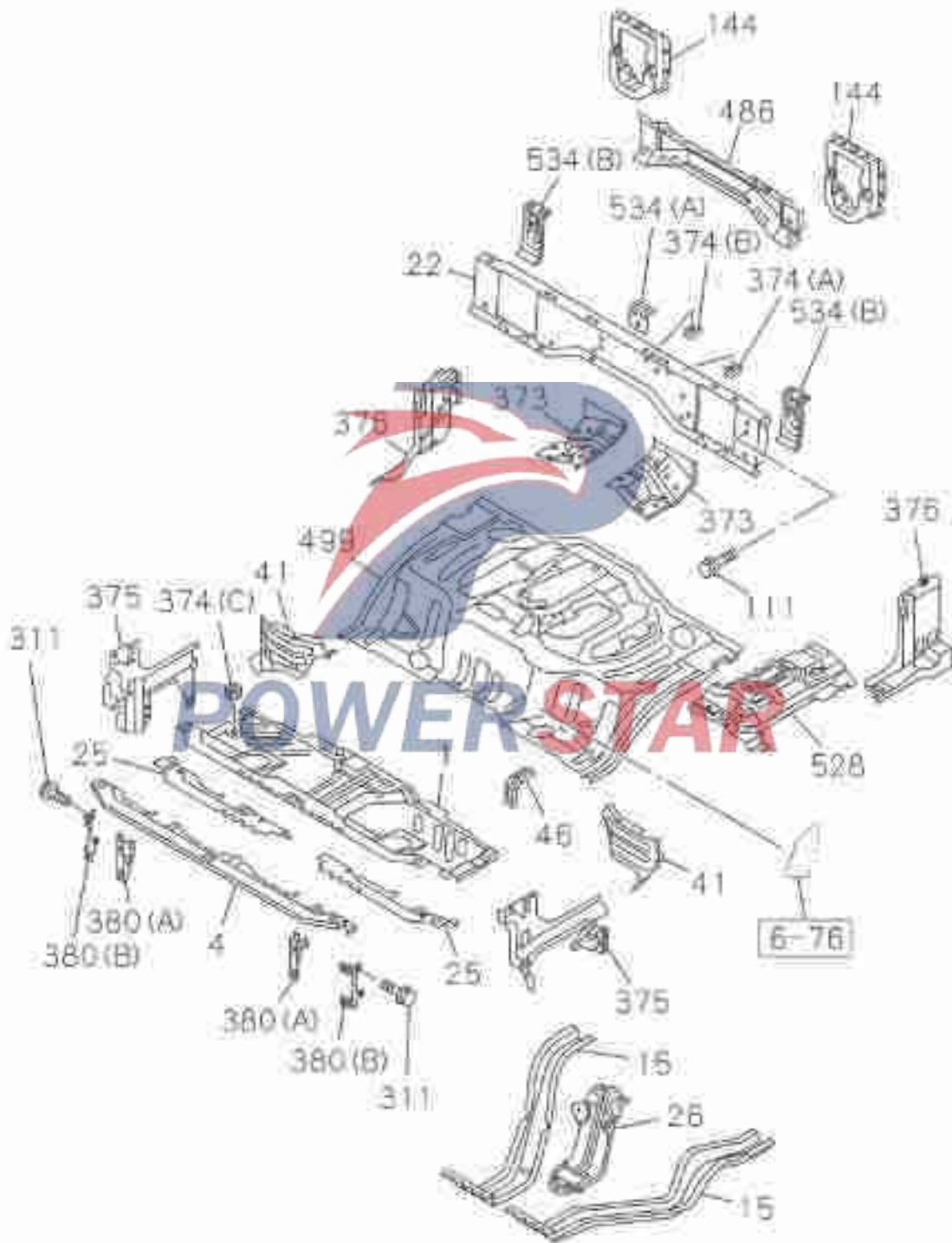
N/S	Recommended specification / name				Applicable models / applicable status / notes
	Isuzu figure No.	QingLing figure No.	Left/Right	Qty.	
175	Insulation mat				
	8-98037-299-2	5206141-P301		02	A
					(B)
	8-98037-300-2	5206151-P301		01	A
					(C)
	8-98082-685-0	5206131-P301		02	A
					(A)
186	Decorative cover plate assembly-front top				
	8-97405-252-2	5206430-P301	Left	01	A
					Dark grey
	8-97405-251-2	5206440-P301	Right	01	A
					Dark grey

Floor

6-70

Floor

Figure No.

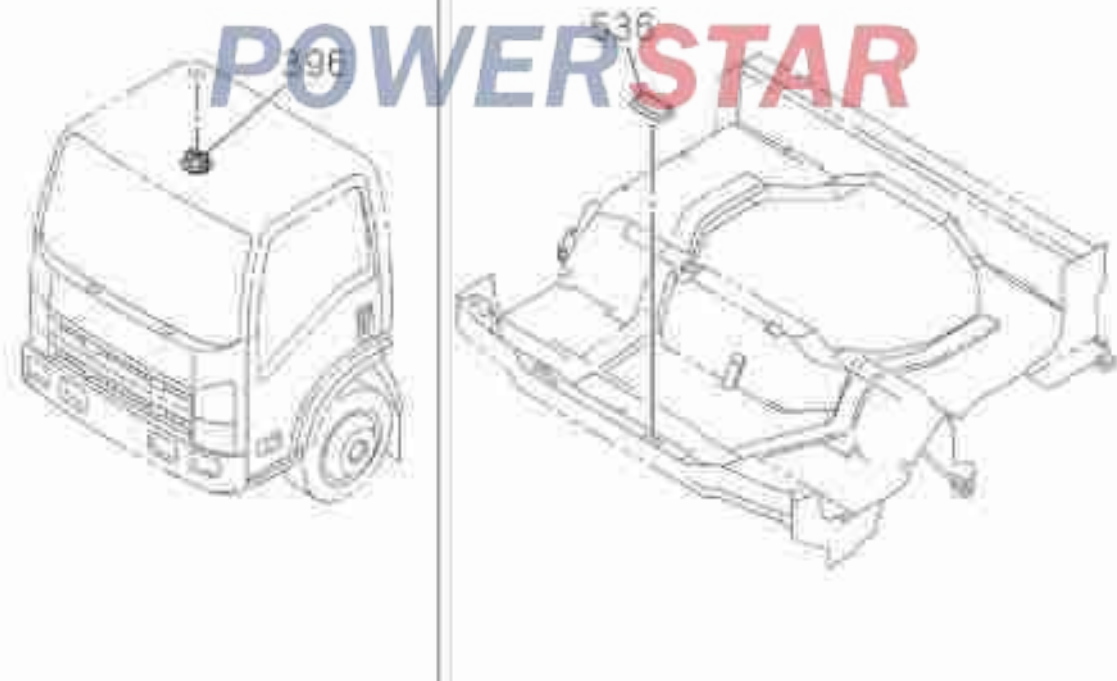
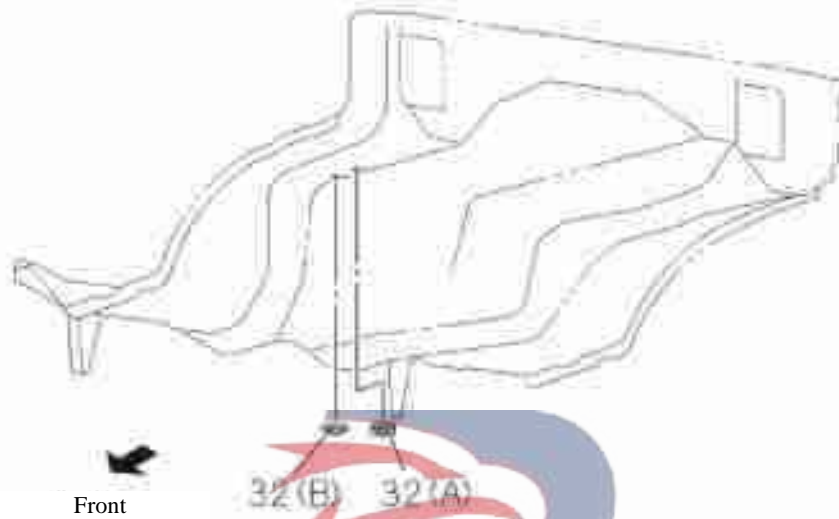


6-70

Floor

Figure No.

Blockage



Floor

6-70

Figure No.

N/S	Recommended specification / name				
	Isuzu figure No.	QingLing figure No.	Left/Right	Qty.	Applicable models / applicable status / notes
					Single cab
1	---- Front section of floor				
	8-97589-407-3	5101131-P301		01	A
4	---- Floor front cross member sub-assembly				
	8-98059-495-0	5101190-P301		01	A
15	---- Longitudinal beam sub-assembly				
	8-98059-497-1	5101490-P301	Right	01	A
	8-98059-498-1	5101390-P301	Left	01	A
22	---- Cross member (RR), floor				
	8-97589-419-3	5101821-P301		01	A
25	---- Reinforcing plate assembly-floor front section				
	8-97583-822-1	5101120-P301	Right	01	A
	8-97583-823-0	5101110-P301	Left	01	A
26	---- Reinforcing plate assembly-gear lever				
	8-97589-517-1	5101230-P301		01	A
32	---- Blocking- front floor				
	8-94492-493-0	8200325-803		02	A
					(A) Outer diameter = 16.2

6-70

Floor

Figure No.

N/S	Recommended specification / name				Applicable models / applicable status / notes
	Isuzu figure No.	QingLing figure No.	Left/Right	Qty.	
					Single cab
32	---- Blocking- front floor				
	8-97898-423-0			02	A
					Blockage (B) Outer diameter = 12.1
41	---- Support bracket-rear part of pedal				
	8-97583-880-1	5101002-P301	Right	01	A
	8-97583-881-1	5101001-P301	Left	01	A
46	---- Bracket assembly-outside of driver seat				
	8-97583-834-0	5101210-P301		01	A
111	---- Hexagon flange bolt				
	0-28650-825-0	Q1840825		01	A
					M8×15
144	---- Bracket assembly-cab installation				
	8-97589-544-1	5101830-P301		02	A
311	---- Hexagon head bolt, spring washer and plain washer sub assembly				
	0-52000-616-0	Q1460616T21		04	A
					M6×16

Floor

6-70

Figure No.

N/S	Recommended specification / name				Applicable models / applicable status / notes
	Isuzu figure No.	QingLing figure No.	Left/Right	Qty.	
					Single cab
373	----- Reinforcing plate assembly-inside seat belt				
	8-98014-525-2	5101850-P301	Right	01	A
	8-98014-526-2	5101840-P301	Left	01	A
374	----- Weld nut				
	1-09984-110-0	T36506		02	A
					(B)
					M6
	1-09984-111-0	T36508		01	A
					(A)
					M8
	9-09114-068-0	T364B08		03	A
					Four-corner welded nut
					(C)
					M8
375	----- Threshold inner plate assembly				
	8-97583-882-1	5101400-P301	Right	01	A
	8-97583-883-1	5101300-P301	Left	01	A
376	----- Inner plate assembly - lower part of rear column				
	8-97583-888-2	5101500-P301	Right	01	A
	8-97584-618-2	5101600-P301	Left	01	A

6-70

Floor

Figure No.

N/S	Recommended specification / name				
	Isuzu figure No.	QingLing figure No.	Left/Right	Qty.	Applicable models / applicable status / notes
					Single cab
380	Headlight support assembly				
	8-97589-384-4	5101170-P301	Right	01	A (A)
	8-97589-385-3	5101360-P301	Left	01	A (A)
	8-98029-288-0	3711341-P301	Right	01	A Right bracket-installation of headlamp (B)
	8-98029-289-0	3711331-P301	Left	01	A Left bracket-installation of headlamp (B)
396	Blockage				
	8-98054-990-0			02	A POWERSTAR
486	Reinforcing plate assembly-floor rear beam				
	8-98030-613-2	5101870-P301		01	A
499	Floor rear part				
	8-97589-409-4	5101201-P301		01	A
528	Reinforcing plate assembly- parking brake				
	8-97589-410-2	5101220-P301		01	A

Floor

6-70

Figure No.

N/S	Recommended specification / name				
	Isuzu figure No.	QingLing figure No.	Left/Right	Qty.	Applicable models / applicable status / notes
					Single cab
534	---- Outside reinforcing plate assembly-auxiliary seat back				
	8-97583-851-2	5101810-P301		02	A (B)
	8-98019-181-2	5101860-P301		01	A Inside reinforcing plate assembly-auxiliary seat back (A)
536	---- Blockage				
	8-98029-219-1	1702441-P301		01	A

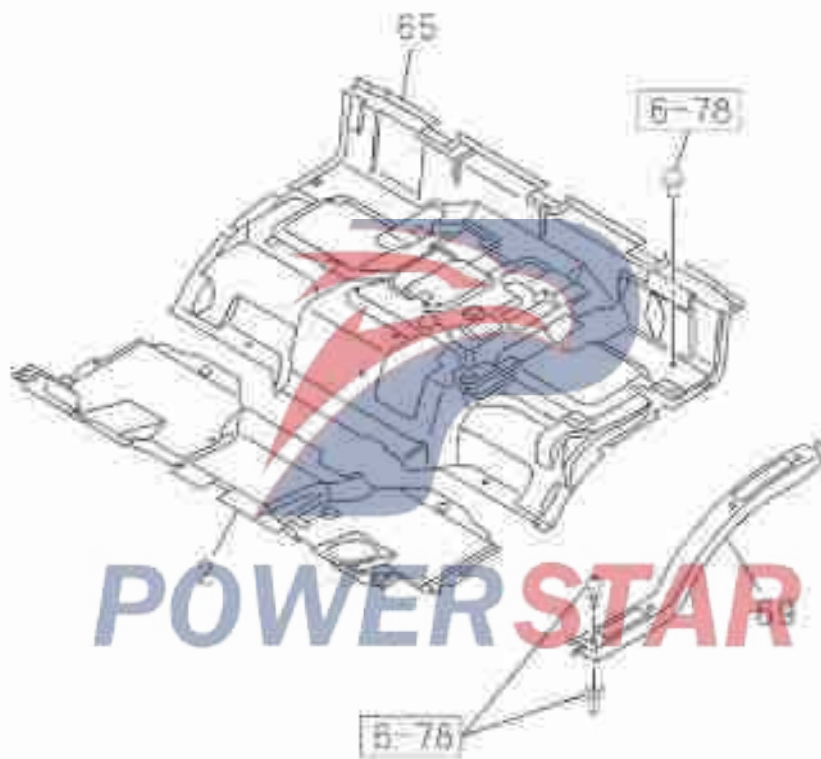


POWERSTAR

6-75

Floor mat

Figure No.



Floor mat

6-75

Figure No.

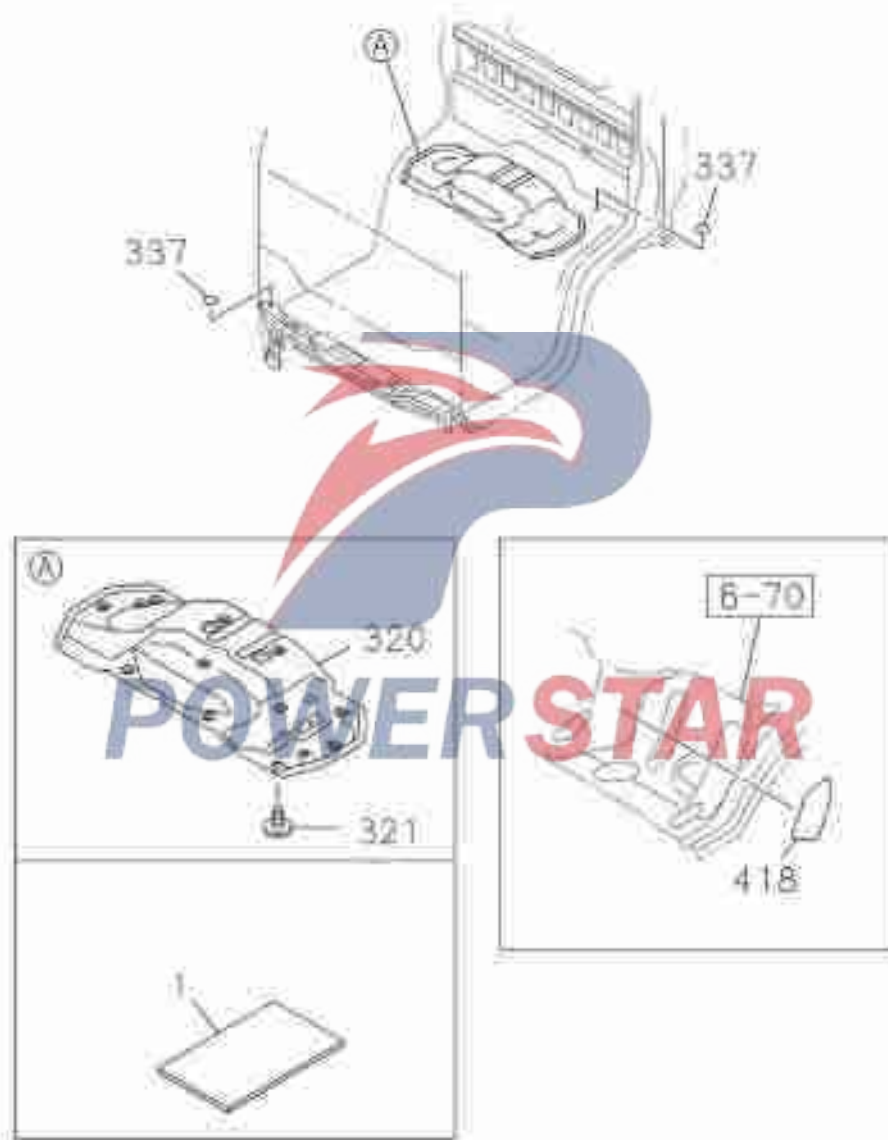
N/S	Recommended specification / name				Applicable models / applicable status / notes
	Isuzu figure No.	QingLing figure No.	Left/Right	Qty.	
					Single cab
2	---- Floor mat assembly				
	8-97405-979-2	5002980-P301		01	A Grey
65	---- Sound insulation pad assembly				
	8-97411-889-0	5107210-P301		01	A Grey
69	---- Decorative depression bar- front door threshold				
	8-97405-388-0	8200281-P301	Left	01	A Grey
	8-97405-389-0	8200271-P301	Right	01	A Grey



6-76

Floor decorations and sealing elements

Figure No.



Floor decorations and sealing elements

6-76

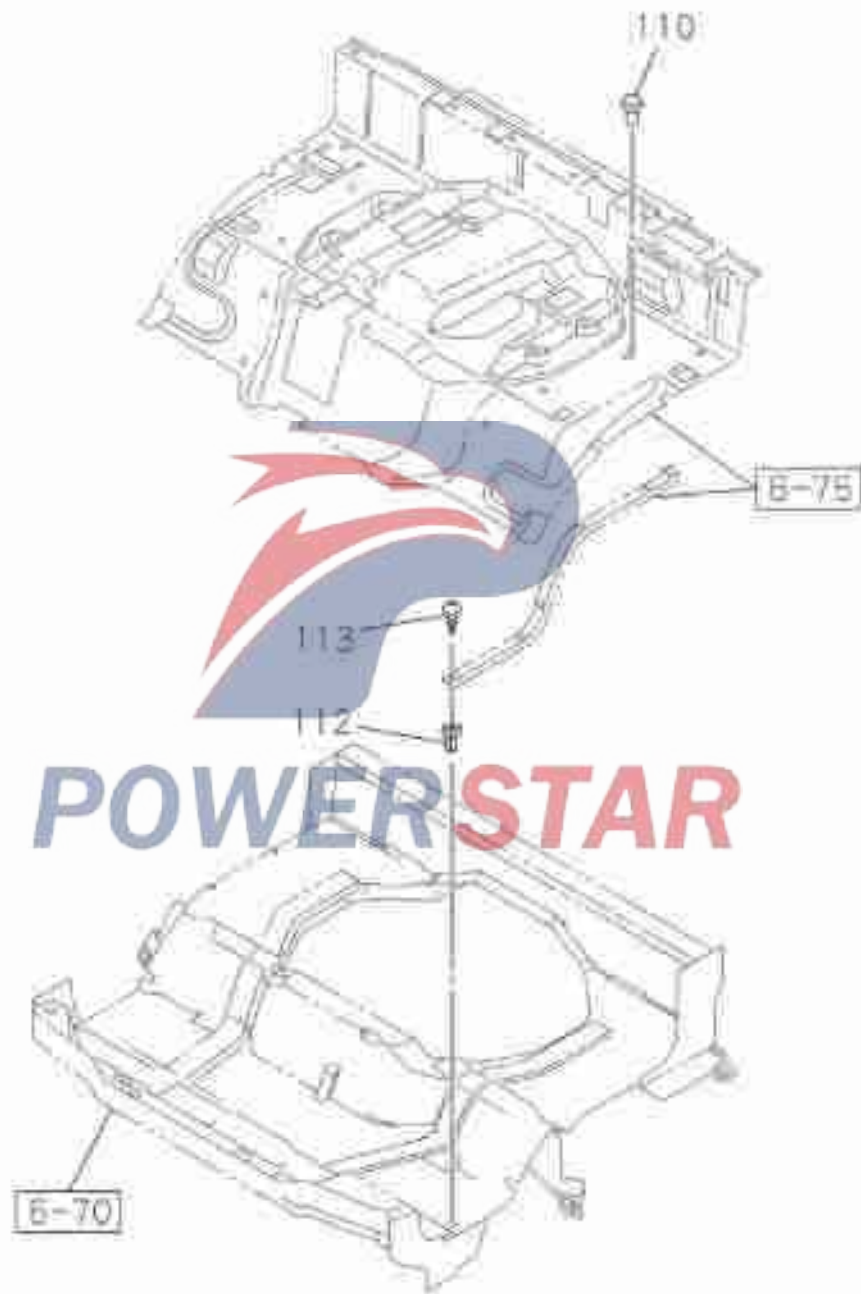
Figure No.

N/S	Recommended specification / name				
	Isuzu figure No.	QingLing figure No.	Left/Right	Qty.	Applicable models / applicable status / notes
					Single cab
1	----- Bitumen gasket				
	8-97589-259-0	5109011-P301		01	A Bitumen gasket A
	8-97589-260-0	5109012-P301		01	A Bitumen gasket B
	8-97589-261-0	5109013-P301		01	A Bitumen gasket C
	8-97589-264-0	5109014-P301		01	A Bitumen gasket
	8-97589-265-0	5109015-P301		01	A Bitumen gasket
	8-97589-5120	5109016-P301		02	A Bitumen gasket
320	----- Seal gasket-engine cover				
	8-97586-164-5	5109071-P301		01	A
321	----- Fastening nail				
	8-97808-623-0	8200201-44		15	A
	Inner diameter=6.2 Length =11.4				
337	----- Seal gasket				
	8-98031-126-0	3724651-P301		08	A
	Outer diameter =32 Black				
418	----- Floor sealing fin				
	8-98090-191-0	5109050-P301	Right	01	A
	8-98090-192-0	5109060-P301	Left	01	A

6-78

Floor fastening nails

Figure No.



Floor fastening nails

6-78

Figure No.

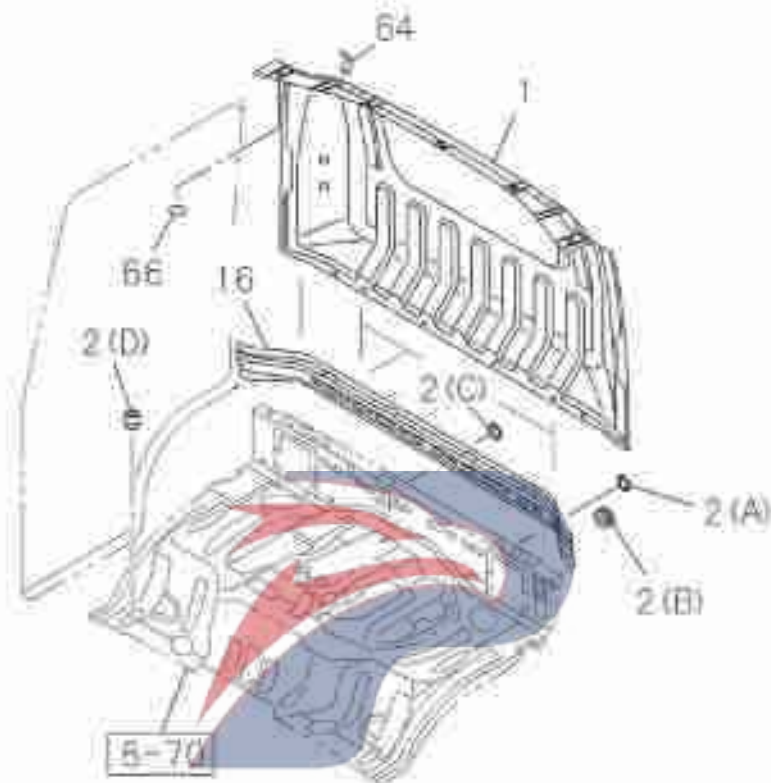
N/S	Recommended specification / name				Applicable models / applicable status / notes
	Isuzu figure No.	QingLing figure No.	Left/Right	Qty.	
110	Fastening nail- middle cross beam (Rear part)				Single cab
	8-94279-089-0	5107231-801		12	A Black
112	Pad nut - decorative strips				
	8-94463-268-1			08	A Height=15
113	Screw				
	0-72180-512-0			08	A M5*12

POWERSTAR

6-80

Rear wall plate

Figure No.



POWERSTAR



Rear wall plate

6-80

Figure No.

N/S	Recommended specification / name				Applicable models / applicable status / notes
	Isuzu figure No.	QingLing figure No.	Left/Right	Qty.	
					Single cab
1	Back wall				
	8-97584-304-2	5600011-P301		01	A
		5600011-X301		01	A
					Back wall (black window)
2	Sealing cover sheet				
	1-76798-019-0	8200143-803		02	A
					(A) Outer diameter =25 Black
	5-76777-035-0	6204132-801		02	A
					(B) Outer diameter=36 Thickness =0.05 Black
	8-97898-423-0			04	A
					Blockage (D) Outer diameter = 12.1
	8-98031-126-0	3724651-P301		06	A
					(C) Outer diameter =32 Black
16	Rear reinforcing plate				
	8-97584-608-1	5600012-P301		01	A
64	Air intake pipe bracket assembly				
	8-97584-611-1	5601100-P301		01	A

6-80

Rear wall plate

Figure No.

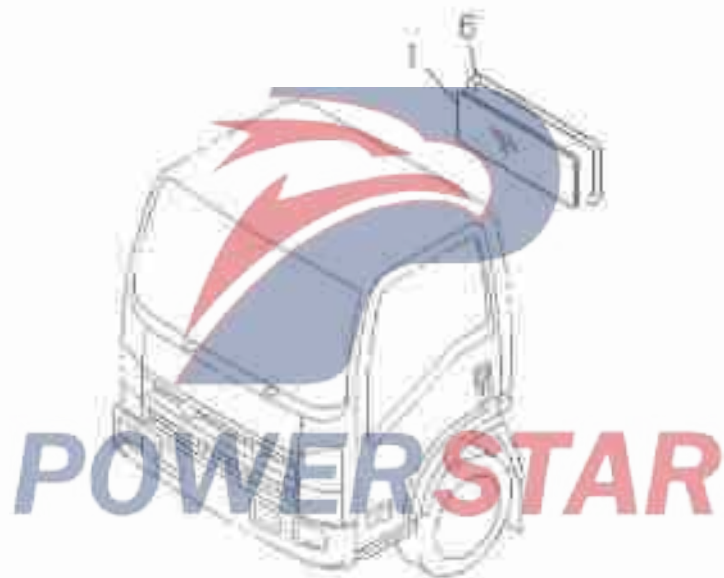
N/S	Recommended specification / name				Applicable models / applicable status / notes
	Isuzu figure No.	QingLing figure No.	Left/Right	Qty.	
					Single cab
66	----- Sealing fin				
	8-98059-421-0			04	A Outer diameter=20 Thickness =0.05 White
	8-98059-421-0			05	A Outer diameter=20 Thickness =0.05 Black
	5-76777-036-0	6107711-P301		04	A Outer diameter=20 Thickness =0.05 Black
	5-76777-036-0	6107711-P301		05	A Outer diameter=20 Thickness =0.05 Black

POWERSTAR

Rear window and sealing rubber strip

6-82

Figure No.

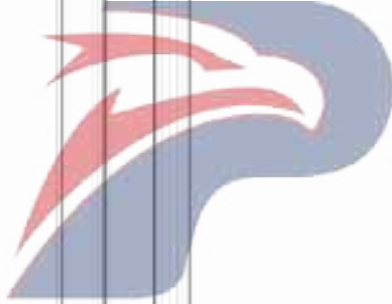


6-82

Rear window and sealing rubber strip

Figure No.

N/S	Recommended specification / name				Applicable models / applicable status / notes
	Isuzu figure No.	QingLing figure No.	Left/Right	Qty.	
1	Glass, window (RR)				Single cab
	8-97868-108-0	5206311-P301		01	A
6	Decoration strip-rear window				
	8-97853-104-3	5206331-P301		01	A

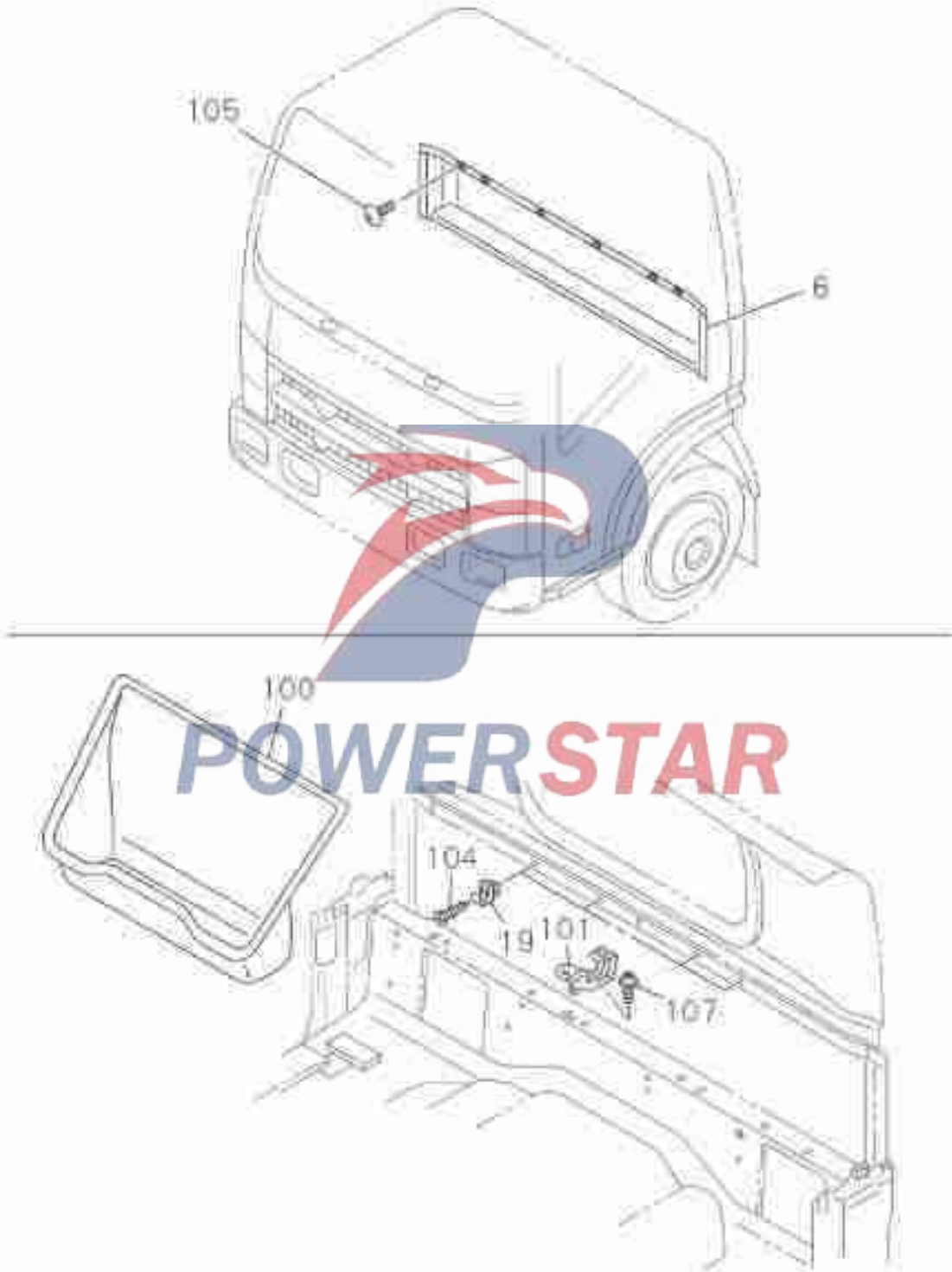


POWERSTAR

Backboard decoration

6-84

Figure No.



6-84

Backboard decoration

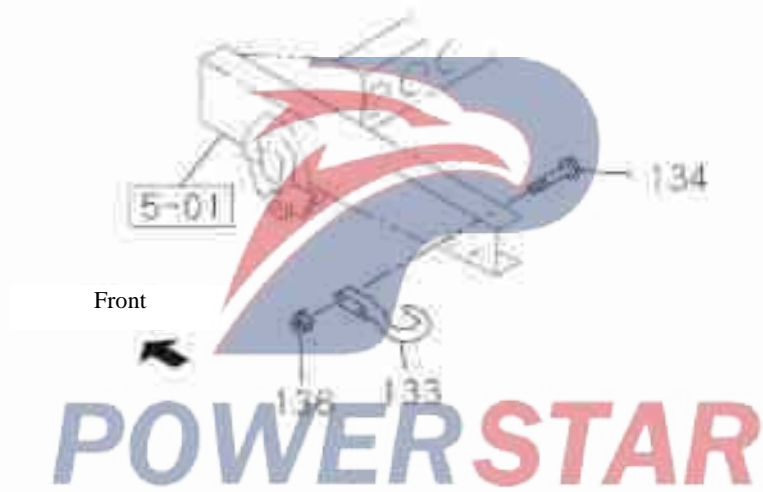
Figure No.

N/S	Recommended specification / name				
	Isuzu figure No.	QingLing figure No.	Left/Right	Qty.	Applicable models / applicable status / notes
					Single cab
6	Trim panel assembly-rear wall (down)				
	8-97405-289-1	5206661-P301		01	A Grey
19	Holder				
	8-97406-042-0	5206551-P301		04	A Grey
100	Glove box-rear wall				
	8-97405-174-1	5206511-P301		01	A Grey
101	Bracket				
	8-98029-439-1	5206561-P301		01	A
104	Screw				
	0-70540-420-0			04	A M4×20
105	Holder				
	8-97405-295-0	5206671-P301		02	A Grey
107	Self-tapping screw				
	0-38050-616-0	Q2360620		01	A M6×16

Rear Bumper

6-90

Figure No.



6-90

Rear Bumper

Figure No.

N/S	Recommended specification / name				Applicable models / applicable status / notes
	Isuzu figure No.	QingLing figure No.	Left/Right	Qty.	
133	----- Rear towing hook				Single cab
	8-94249-270-2	2806011-10		01	A
134	----- Hexagon head bolt				
	0-10856-450-0	Q151B1450		02	A
					M14*50
136	----- Hexagon flange nut				
	0-91180-214-0	Q32014T13		02	A
					M14



POWERSTAR

7-01

Label and illustration plate



Figure No.



Label and illustration plate

7-01

Figure No.

N/S	Recommended specification / name of part			
	Isuzu figure No.	QingLing figure No.	Left/Right	Qty.
				Applicable models / applicable status / notes
				Single cab
392				
	8-98031-158-0	3903310-P301	01	A
				

7-10

Warning and illustration plate

Figure No.

NO.1



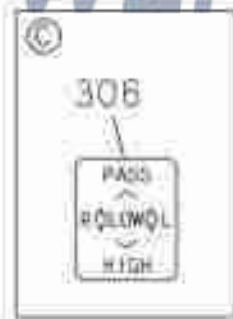
Graphic representation (A)

4-30

Front

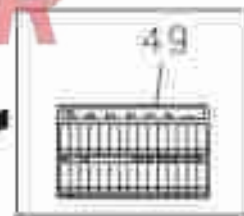


POWER STAR



(B)

7-40

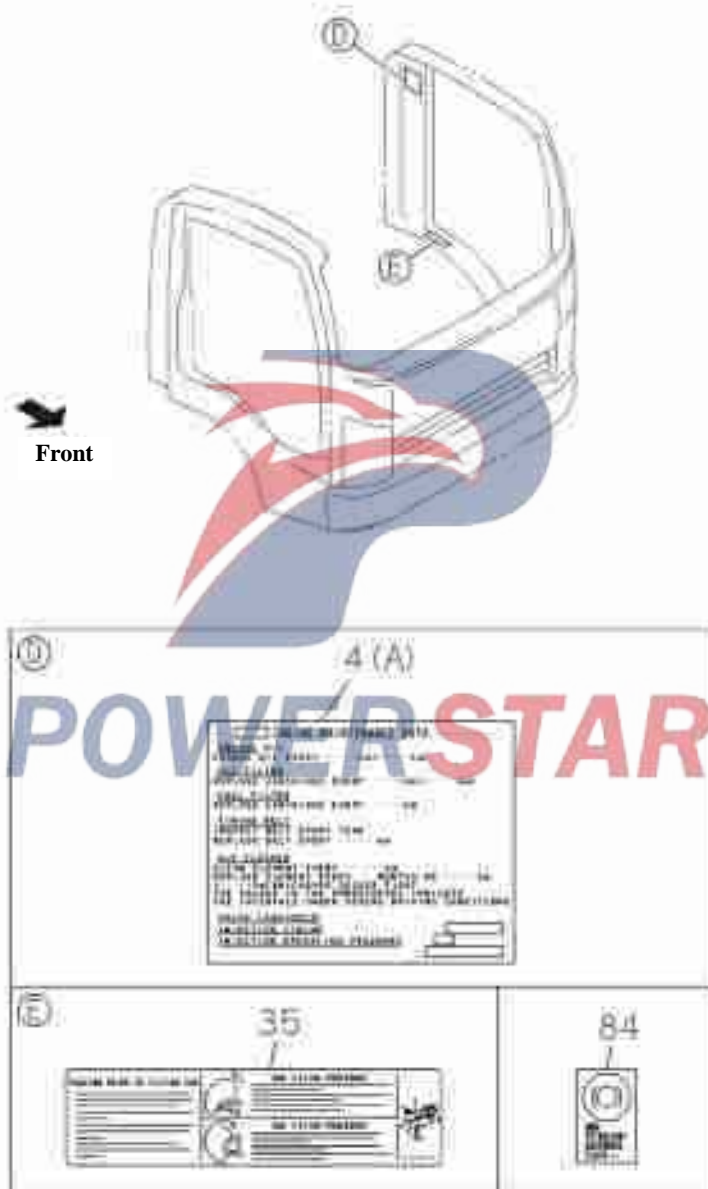


Warning and illustration plate

NO.1

7-01

Figure No.



7-10

Warning and illustration plate

Figure

N/S	Recommended specification / name of part				
	Isuzu figure No.	QingLing figure No.	Left/Right	Qty.	Applicable models / applicable status / notes
					Single cab
4	----- Warning board-engine				
	8-98074-084-0	3903210-P301		01	A (A)
35	----- Warning Sign - cab tilt				
	8-98067-809-0	5002715-P301		01	A
49	----- Fuse box instruction plate				
	8-98079-495-0	3724621-P301		01	A
84	----- Instruction plate-brake fluid header				
	8-98022-836-1	3500231-P301		01	A
306	----- Instruction plate				
	8-98070-239-0			01	A

Rearview mirror and bracket rod

Interior rearview mirror

7-20

Figure No.

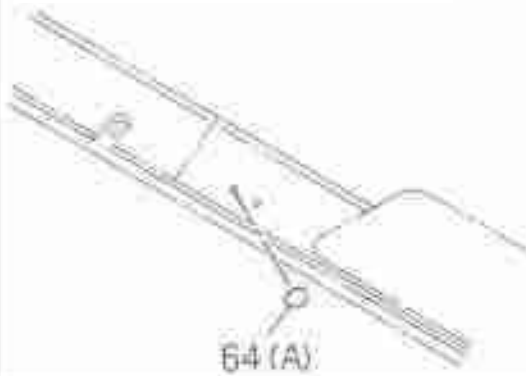


Graphic representation (A)

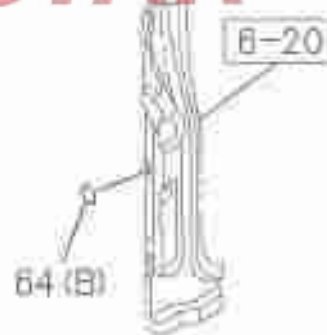
Interior rearview mirror



Without interior rearview mirror



Graphic representation (B)



7-20

Rearview mirror and bracket rod

Figure No.

Interior rearview mirror

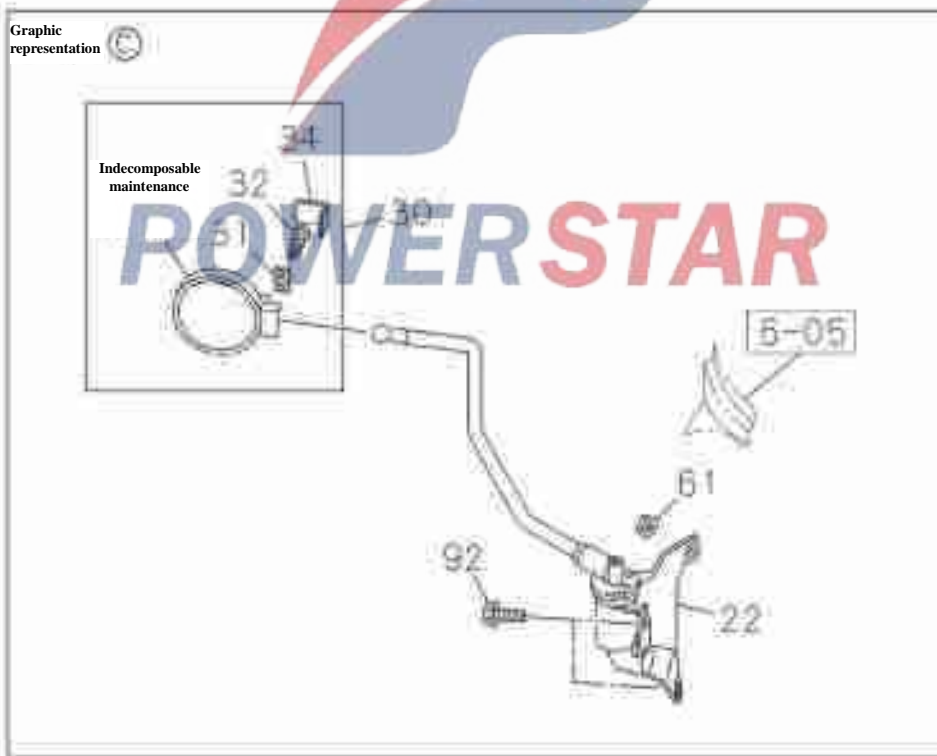


Rearview mirror and bracket rod

Outdoor rearview mirror

7-20

Figure No.



7-20

Rearview mirror and bracket rod

Figure No.

N/S	Recommended specification / name of part				
	Isuzu figure No.	QingLing figure No.	Left/Right	Qty.	Applicable models / applicable status / notes
					Single cab
1	----- Indoor rear view mirror assembly				
	8-97405-193-1	8202530-P301		01	A Dark grey
2	----- Screw				
	8-98033-674-0	8202721-P301		02	A M6×26
7	----- Rear view mirror assembly				
	8-98070-501-0	8202320-P302	Right	01	A
		8202720-P302	Right	01	A With wide-angle lens
	8-98070-493-0	8202010-P302	Left	01	A
22	----- Supporting bar –rear mirror				
		8202620-P301	Right	01	A
		8202610-P302	Left	01	A
26	----- Overspreading-rear view mirror				
		820115-P301	Right	01	A
30	----- Lower view mirror assembly				
		8202820-P302		01	A
31	----- Cover plate- lower view mirror				
	8-94262-631-0			01	A
32	----- Screw- lower view mirror				
	8-94279-372-0			02	A M5×18

Rearview mirror and bracket rod

7-20

Figure No.

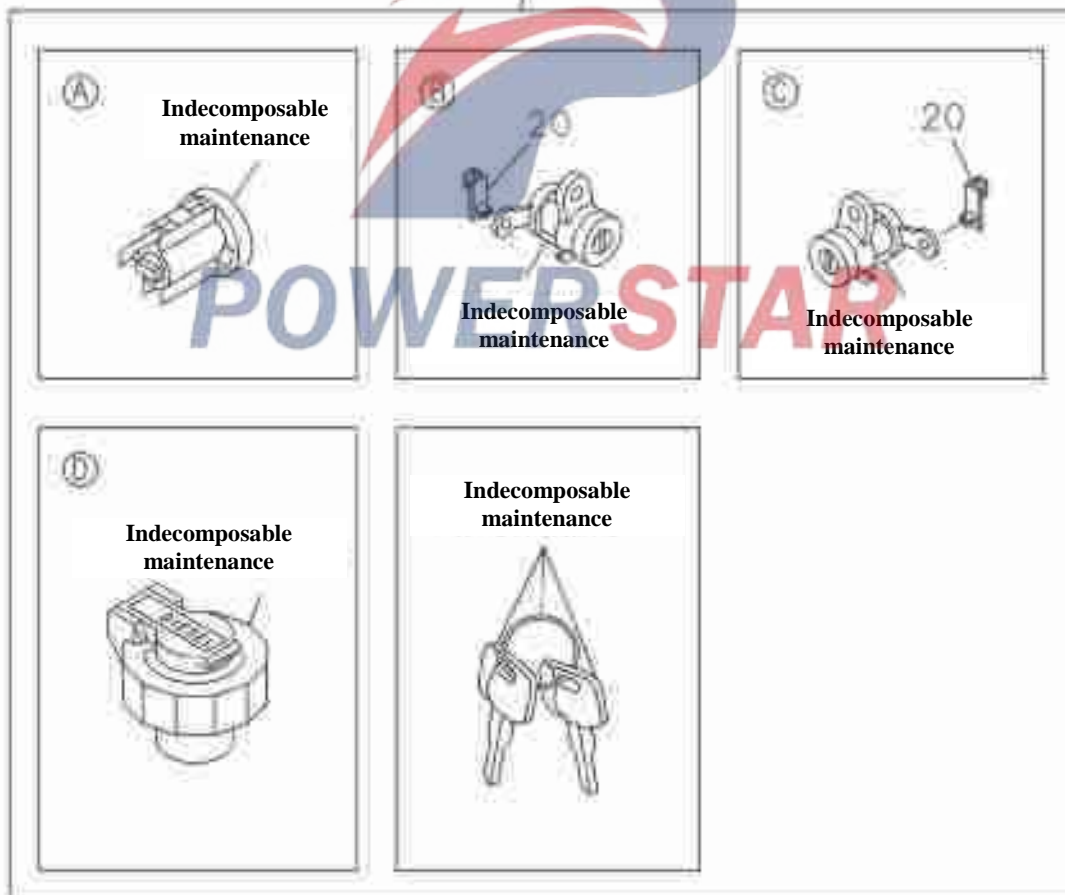
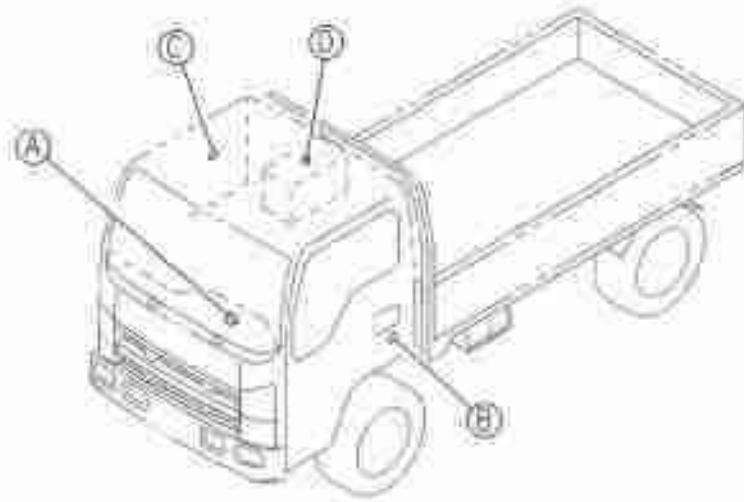
N/S	Recommended specification / name of part				Applicable models / applicable status / notes
	Isuzu figure No.	QingLing figure No.	Left/Right	Qty.	
					Single cab
34	----- Baffle -mirror				
	8-94262-629-0			01	A
61	----- Hexagon flange nut				
	0-91180-108-0	Q32008		01	A
					M8
64	----- Sealing fin				
	8-98059-421-0			02	A
					Without interior rearview mirror
					(A)
					Outer diameter=20 Thickness =0.05 White
	1-76798-019-0	8200143-803		02	A
					Sealing cover sheet
					(B)
					Outer diameter =25 Black
92	----- Hexagon flange bolt				
	0-28650-825-0	Q1840825		02	A
					M8×25

7-30

Lock body assembly

NO.1

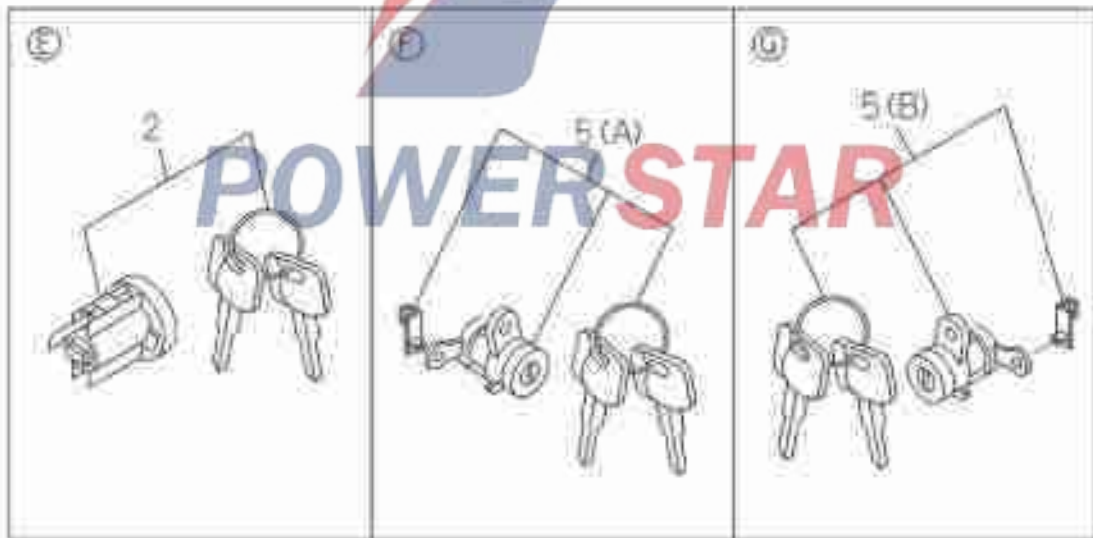
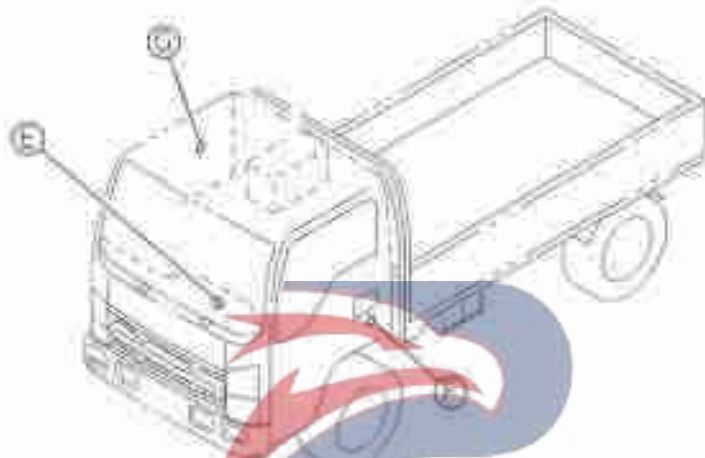
Figure No.



Lock body assembly NO.2

7-30

Figure No.

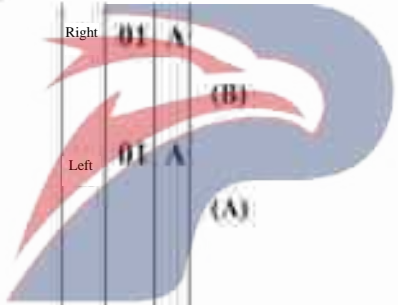


7-30

Lock body assembly

Figure

N/S	Recommended specification / name				
	Isuzu figure No.	QingLing figure No.	Left/Right	Qty.	Applicable models / applicable status / notes
					Single cab
1	Lock assembly (with key)				
	8-98056-003-0			01	A
2	Lock assembly- electric box				
	8-98055-148-0			01	A
5	Door lock assembly				
	8-98029-052-2		Right	01	A
					(B)
	8-98029-053-2		Left	01	A
					(A)



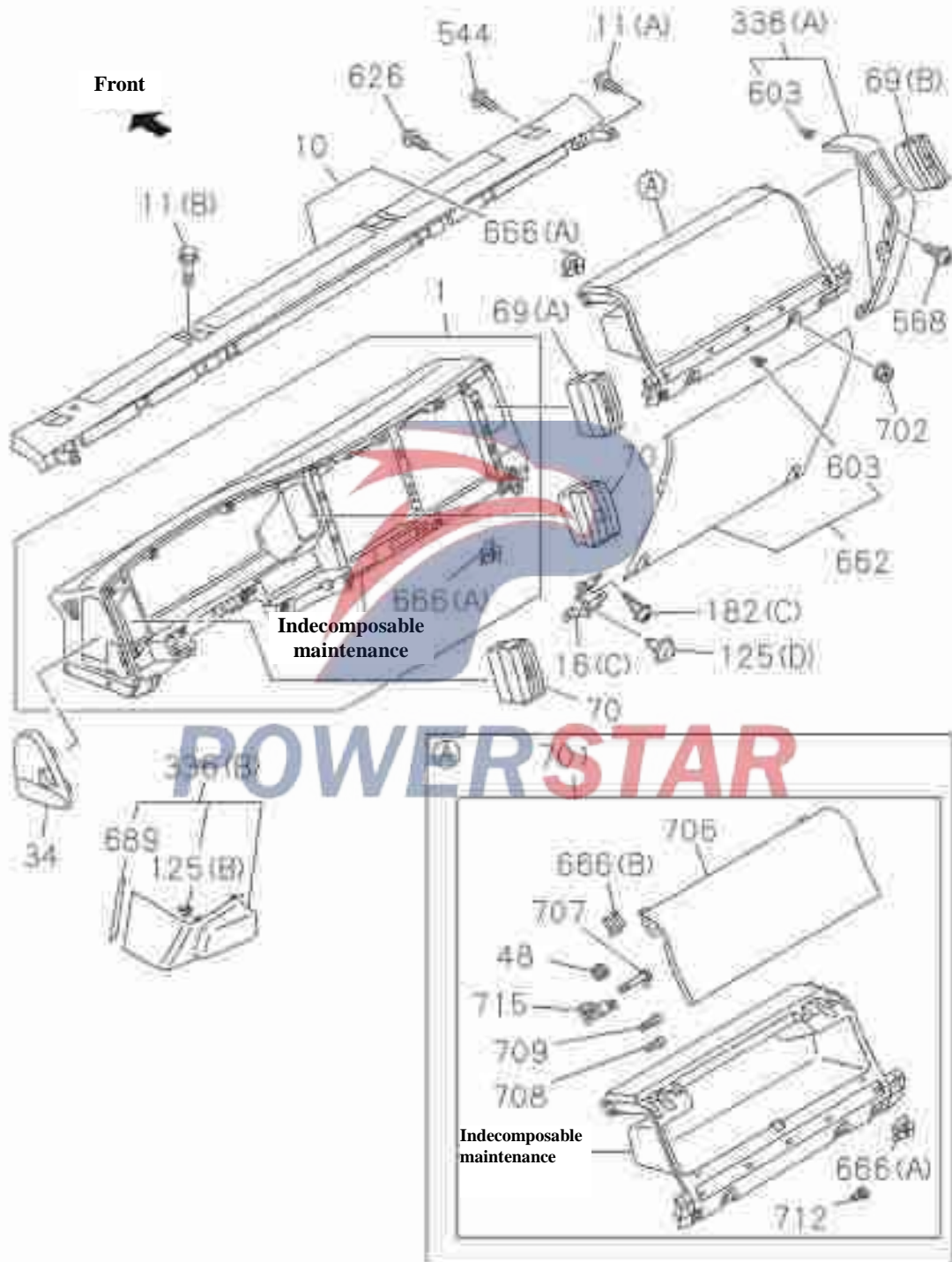
POWERSTAR

Dashboard and sundries box

NO.1

7-40

Figure No.

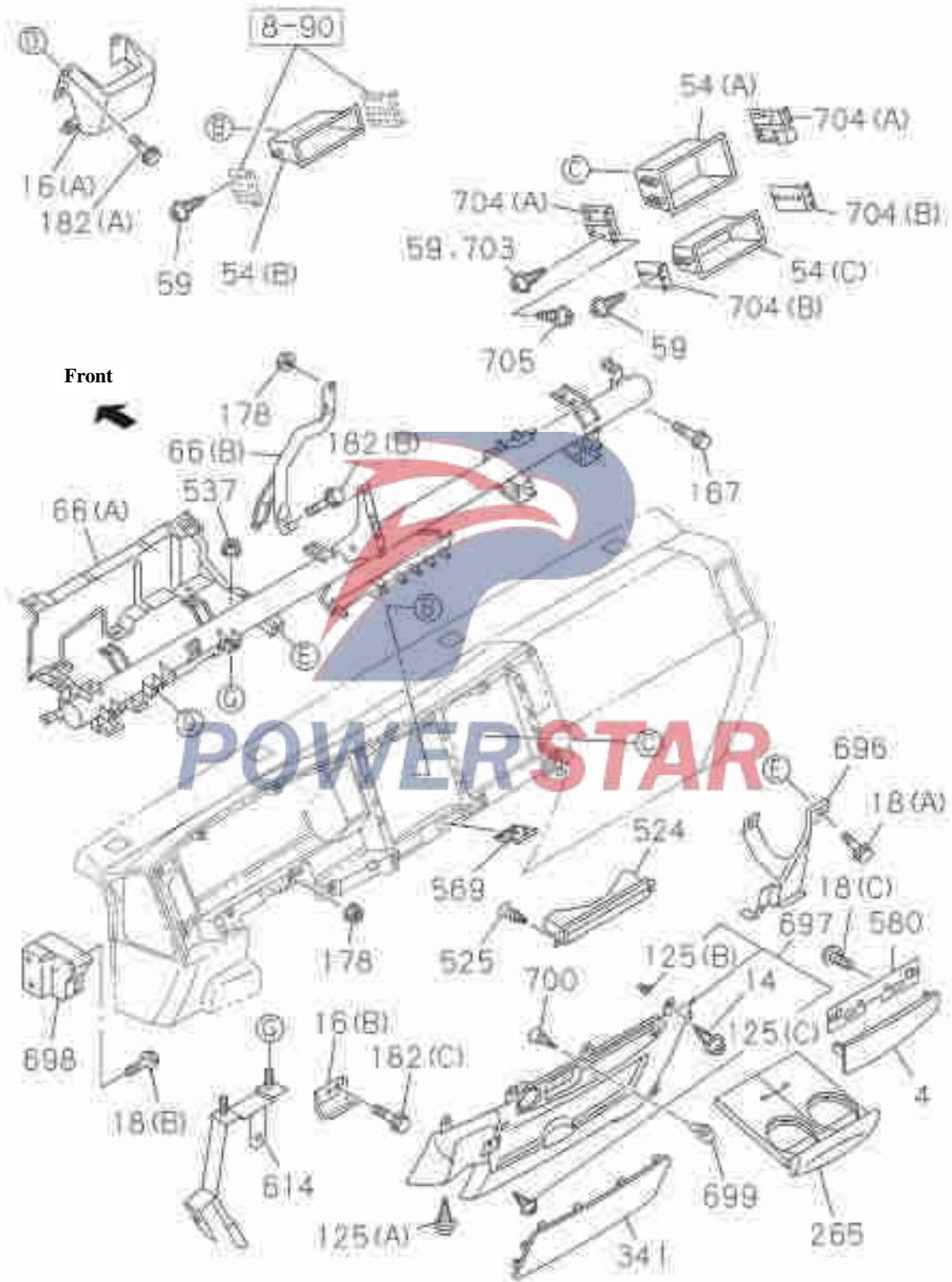


7-40

Dashboard and sundries box

Figure No.

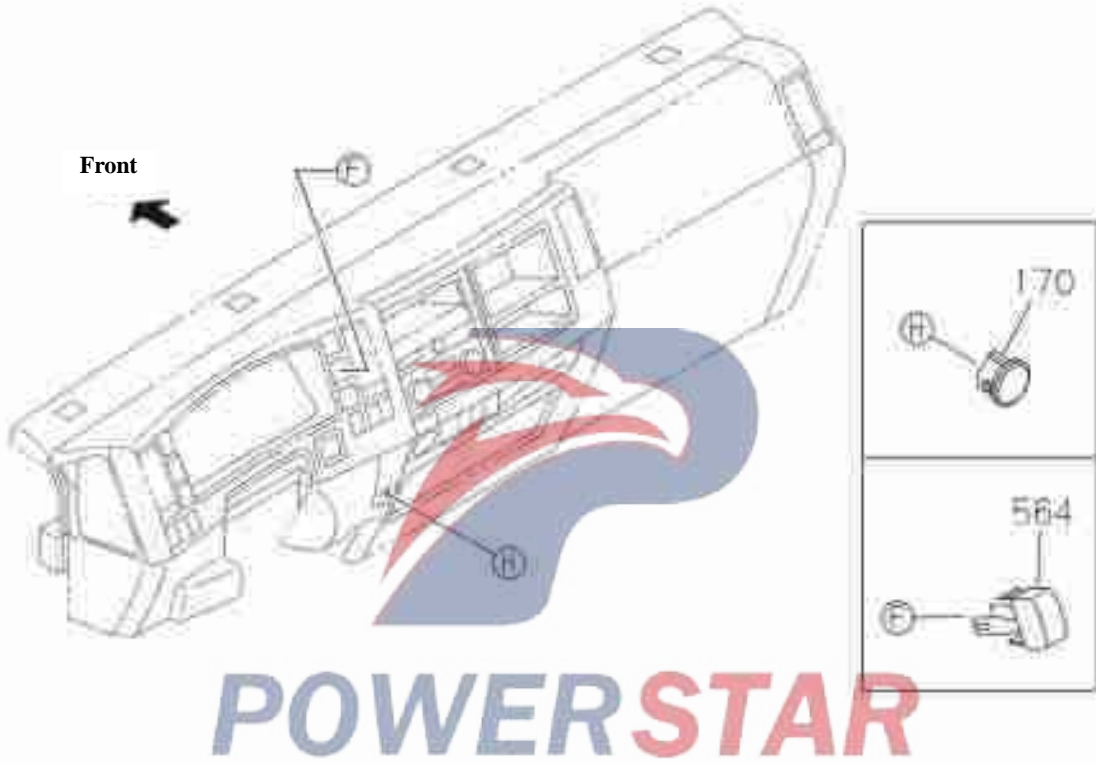
NO.2



Dashboard and sundries box
NO.3

7-40

Figure No.



7-40

Dashboard and sundries box

Figure No.

N/S	Recommended specification / name of part				
	Isuzu figure No.	QingLing figure No.	Left/Right	Qty.	Applicable models / applicable status / notes
					Single cab
1	Instrument panel assembly				
	8-97406-004-2	8200010-P301		01	A Grey
4	Cover plate				
	8-97407-898-1			01	A Grey
10	Cover plate assembly-dashboard front ventilation				
	8-97405-265-2	8101541-P301		01	A Grey
11	Screw-ventilation tube				
	0-72180-516-0			09	A (A) M5×16
	8-98018-440-0			04	A Bolt (B) M6×25
14	Screw-ventilation tube				
	0-72180-516-0			04	A M5×16
16	Bracket assembly				
	8-97585-532-0	8200030-P301		01	A (B)
	8-97585-612-2	8200011-P301		01	A Bracket (C)
	8-98081-718-0	8200040-P301		01	A (A)

Dashboard and sundries box

7-40

Figure

N/S	Recommended specification / name of part				
	Isuzu figure No.	QingLing figure No.	Left/Right	Qty.	Applicable models / applicable status / notes
					Single cab
18	----- Screw				
	8-98058-632-0			04	A (C) M5×10
	0-28050-816-0	Q1840816		04	A Hexagon flange bolt (B) M8×16
34	----- Brake fluid header cover assembly				
	0-38050-612-0			02	A (A) M16×12
	8-97406-003-1	3500120-P301		01	A Grey
48	----- Spring				
	8-98034-986-0	8200661-P301	Right	01	A
	8-98034-987-0	8200651-P301	Left	01	A
54	----- Glove box				
	8-74107-129-2	8200211-P301		01	A Glove box-big (A) Black
	8-97408-864-2	8200191-P301		01	A Glove box-small (B) Black
	8-97408-865-2	8200181-P301		01	A Glove box-middle (C) Black

7-40

Dashboard and sundries box

Figure No.

N/S	Recommended specification / name of part				
	Isuzu figure No.	QingLing figure No.	Left/Right	Qty.	Applicable models / applicable status / notes
					Single cab
59	---- Screw				
	8-98058-632-0			04 A	M5x10
66	---- Fender bracket				
	8-98089-365-0			01 A	(A)
	8-97585-579-1	8200111-P301		01 A	(B)
69	---- Ventilation grid				
	8-98028-561-1	8101431-P301		01 A	(A)
	8-98028-562-1	8101441-P301		01 A	(B)
70	---- Ventilation grid				
	8-98028-563-1	8101421-P301		02 A	
125	---- Fastening nail				
	8-97408-063-0			04 A	(D) Grey
	8-97408-817-0			02 A	(A) Grey
	8-98004-025-0	8200521-P301		01 A	Clip (C)
	8-98021-271-0	8200261-P301		03 A	Clip (B)

Dashboard and sundries box

7-40

Figure No.

N/S	Recommended specification / name of part				
	Isuzu figure No.	QingLing figure No.	Left/Right	Qty.	Applicable models / applicable status / notes
					Single cab
167	Hexagon flange bolt				
	8-97264-766-0	Q1840823		04	A M8×23
170	Hole cover				
	8-98070-401-2	3725331-P301		01	A
178	Hexagon flange nut				
	0-91180-106-0	Q32006		03	A M6
182	Screw				
	0-38050-612-0			03	A (A) M6×12
	0-72180-516-0			02	A Screw-ventilation tube (C) M5×16
	8-97359-709-0			01	A Bolt (B) M8×20
265	Cup base				
	8-97407-897-2	8200160-P301		01	A Grey
336	Dashboard decorative cover plate assembly-drive side				
	8-97406-000-3	8200140-P301		01	A (B) Grey

7-40

Dashboard and sundries box

Figure No.

N/S	Recommended specification / name of part				
	Isuzu figure No.	QingLing figure No.	Left/Right	Qty.	Applicable models / applicable status / notes
					Single cab
336	----- Dashboard decorative cover plate assembly-drive side				
	8-97406-002-2	8200150-P301		01	A Side cover plate assembly of instrument panel (A) Grey
341	----- Cover plate- relay				
	8-97406-043-1	3724851-P301		01	A Grey
524	----- Holder assembly				
	8-98054-414-0	8200050-P301		01	A
525	----- Screw-ventilation tube				
	0-72180-516-0			03	A M5*16
537	----- Hexagon flange nut				
	0-91180-106-0	Q32006		02	A M6
544	----- Screw-ventilation tube				
	0-72180-516-0			02	A M5*16
564	----- Button decorative cover				
	8-98025-954-1	8200151-P301		01	A
568	----- Screw-ventilation tube				
	0-72180-516-0			02	A M5*16

Dashboard and sundries box

7-40

Figure No.

N/S	Recommended specification / name of part				
	Isuzu figure No.	QingLing figure No.	Left/Right	Qty.	Applicable models / applicable status / notes
					Single cab
569	---- Cup base assembly				
	8-97410-276-0	8200230-P301		01	A
580	---- Bracket				
	8-98091-546-0			01	A
603	---- Clip				
	8-98021-271-0	8200261-P301		13	A
614	---- Bracket assembly				
	8-98065-475-1	8200090-P301		01	A
626	---- Clip				
	8-94279-804-0			02	A
	Outer diameter =15 Black				
662	---- Lower cover plate assembly-dashboard				
	8-97405-258-0	8200120-P301		01	A
	Grey				
666	---- Clamp				
	8-98037-629-0	8200241-P301		19	A
	(A)				
	8-98038-450-0	8200681-P301		04	A
	Clip				
	(B)				
689	---- Sealing strip				
	8-98068-244-0	8200531-P301		01	A

7-40

Dashboard and sundries box

Figure No.

N/S	Recommended specification / name of part				
	Isuzu figure No.	QingLing figure No.	Left/Right	Qty.	Applicable models / applicable status / notes
					Single cab
696	Bracket				
	8-98098-126-0			01	A
697	Middle cover plate of instrument panel assembly				
	8-97405-999-5	8200130-P301		01	A
					Grey
698	Bracket				
	8-98089-256-0		Right	01	A
	8-98089-257-0		Left	01	A
699	Clamp				
	8-97408-927-0			01	A
					Grey
700	Screw-ventilation tube				
	0-72180-516-0			01	A
					M5*16
701	Glove box assembly - instrument panel				
	8-97405-261-4	8200170-P301		01	A
					Grey
702	Hexagon flange nut				
	0-91180-106-0	Q32006		02	A
					M6
703	Screw				
	8-98058-632-0			04	A
					M5*10

Dashboard and sundries box

7-40

Figure No.

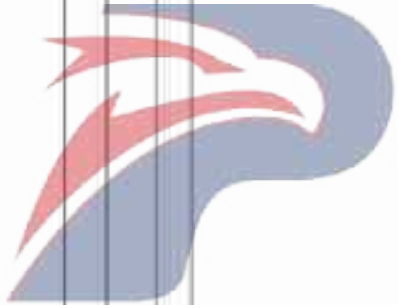
S/N	Recommended specification / name of part				
	Isuzu figure No.	QingLing figure No.	Left/Right	Qty.	Applicable models / applicable status / notes
					Single cab
704	---- Bracket				
	8-97585-616-2	8200141-P301		02	A
					(B)
	8-97585-618-0	8200131-P301		02	A
					(A)
705	---- Screw-ventilation tube				
	0-72180-520-0			08	A
					M5×20
706	---- Glove box plate- instrument panel				
	8-97045-372-2	8200590-P301		01	A
					Grey
707	---- Spindle-glove box				
	8-98035-730-0	8200672-P301		02	A
708	---- Clamp				
	8-98010-867-1	8200671-P301		02	A
709	---- Screw-ventilation tube				
	0-71040-516-0			04	A
					M5×16
712	---- Bolt - glove box				
	8-98031-846-0	8200621-P301		01	A

7-40

Dashboard and sundries box

Figure No.

N/S	Recommended specification / name of part				
	Isuzu figure No.	QingLing figure No.	Left/Right	Qty.	Applicable models / applicable status / notes
					Single cab
715	----Bracket				
	8-98034-928-0	8200641-P301	Right	01	A
	8-98034-929-0	8200631-P301	Left	01	A

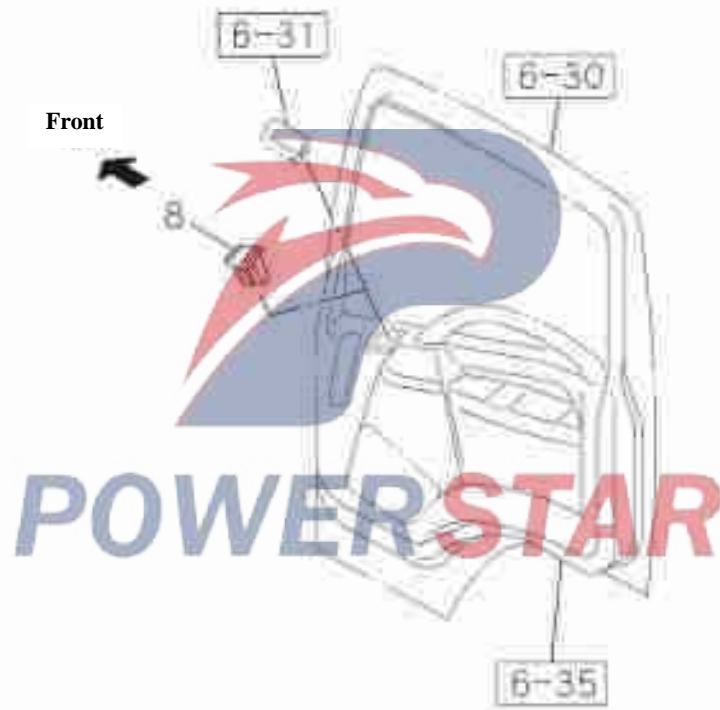


POWERSTAR

Ashtray

7-42

Figure No.

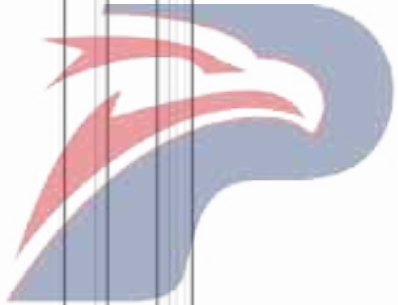


7-42

Ashtray

Figure No.

N/S	Recommended specification / name of part				
	Isuzu figure No.	QingLing figure No.	Left/Right	Qty.	Applicable models / applicable status / notes
					Single cab
8	----- Ashtray assembly - front door				
	8-97405-320-1	6107571-P301	Left	01	A Grey



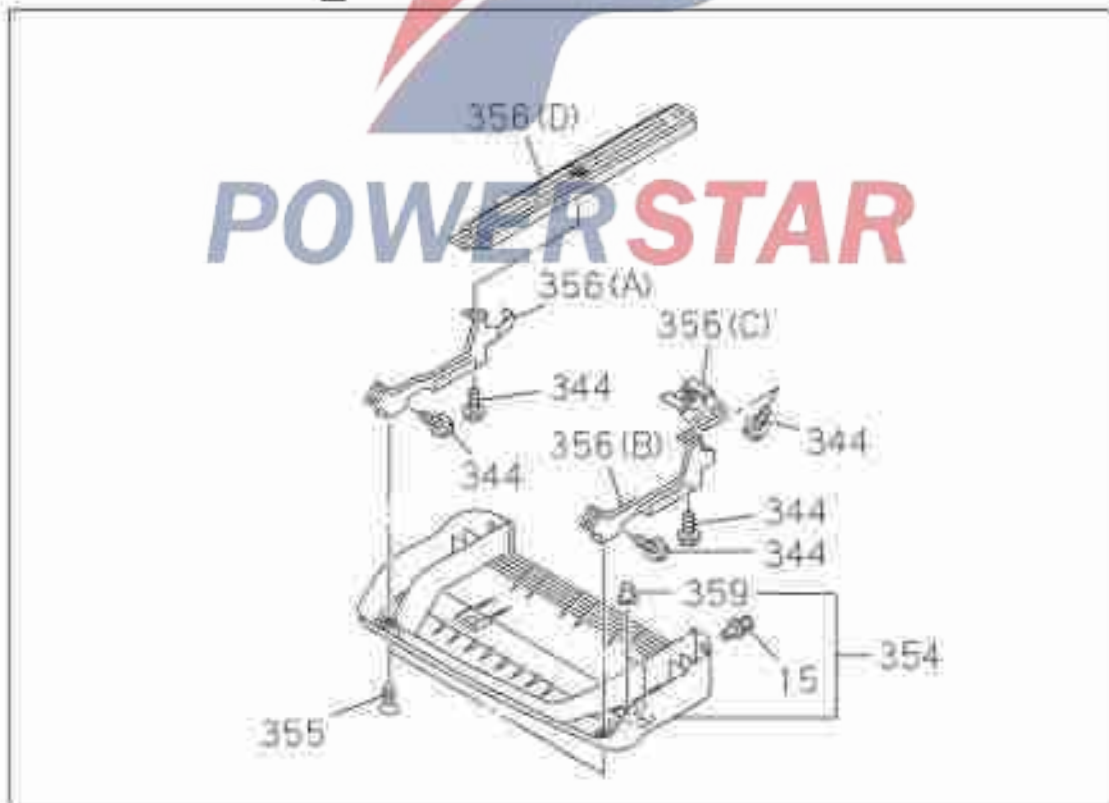
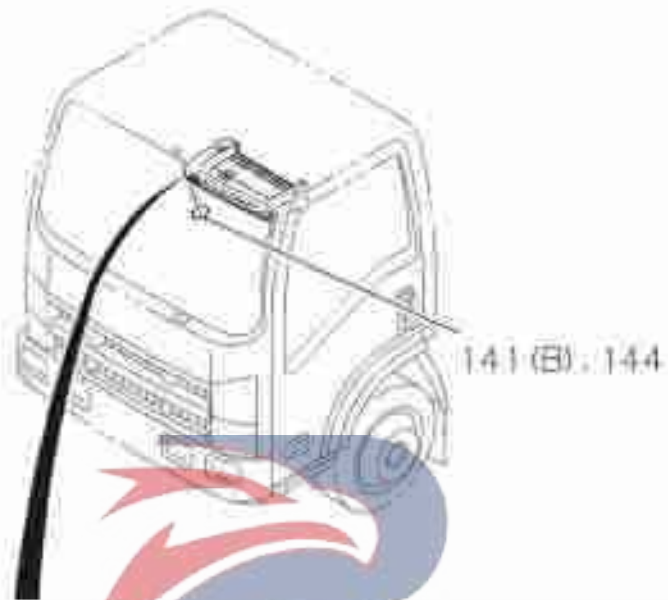
POWERSTAR

Sunshield and auxiliary handle

Upper section

7-43

Figure No.

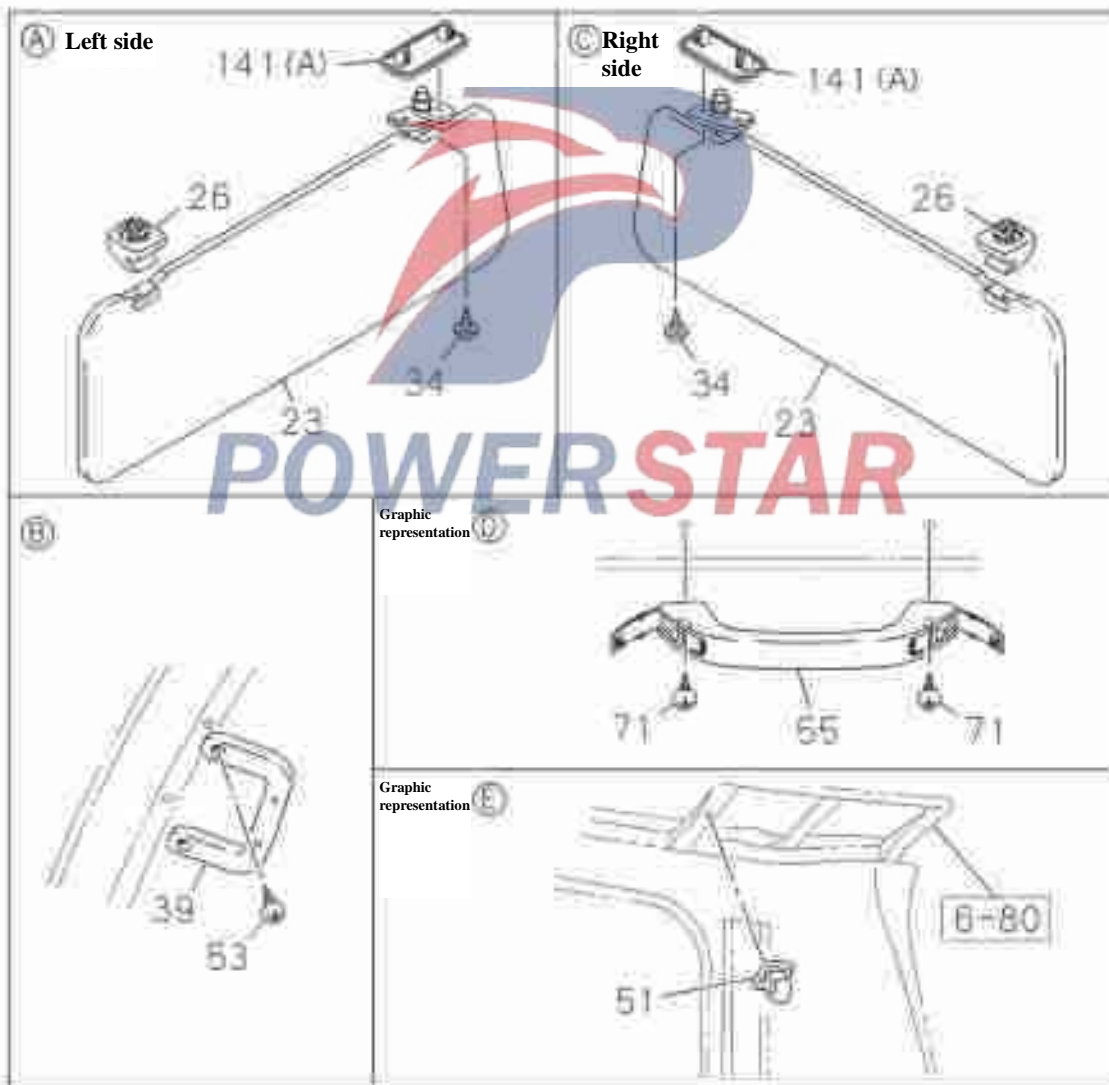
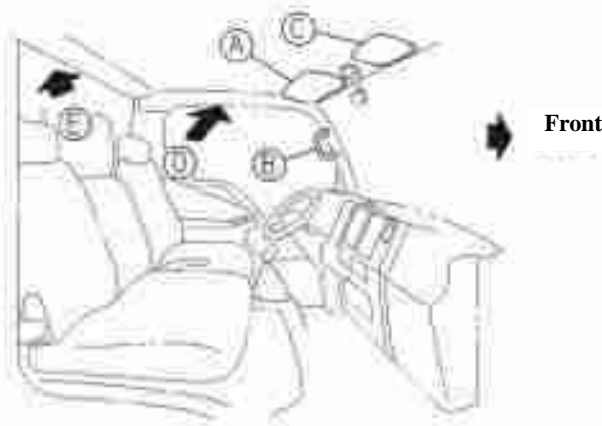


7-43

Sunshield and auxiliary handle

Figure No.

Sun visor and fixed device



Sunshield and auxiliary handle

7-43

Figure No.

N/S	Recommended specification / name of part				
	Isuzu figure No.	QingLing figure No.	Left/Right	Qty.	Applicable models / applicable status / notes
					Single cab
15	Holder				
	8-97406-299-0	8204321-P301		02	A Dark grey
23	Sunshield assembly				
	8-97407-895-0	8204020-P301	Right	01	A Dark grey
	8-97405-170-2	8204010-P301	Left	01	A Dark grey
26	Bracket 2				
	8-97406-200-0	8204131-P301	Left	01	A Dark grey
	8-97405-171-0	8204121-P301	Left	01	A Bracket-sun visor fixed Dark grey
	8-97406-200-0	8204131-P301	Right	01	A Dark grey
	8-97405-171-0	8204121-P301	Right	01	A Bracket- Sunshield fixed Dark grey
34	Screw				
	8-98033-674-0			02	A M6*26
39	Auxiliary handle-front seat side				
	8-97405-249-2	8200411-P301		02	A Dark grey
51	Bracket 2				
	8-97406-200-0	8204131-P301		01	A Dark grey

7-43

Sunshield and auxiliary handle

Figure No.

N/S	Recommended specification / name of part				
	Isuzu figure No.	QingLing figure No.	Left/Right	Qty.	Applicable models / applicable status / notes
					Single cab
53	----- Screw - auxiliary handle				
	8-98004-344-0			04	A M6×28
55	----- Auxiliary handle-front seat side				
	8-97405-285-2	8206152-803	Right	01	A Dark grey
71	----- Screw - auxiliary handle				
	8-98004-344-0		Right	02	A Dark grey
141	----- Holder				
	8-97405-173-0	8204111-P301		02	A (A) Length= 62 B=25 Dark grey
	8-97408-030-0			01	A (B) Dark grey
144	----- Sealing surface				
	8-98059-421-0			01	A Outer diameter=20 Thickness =0.05 White
	5-76777-036-0	6107711-P301		01	A Outer diameter=20 Thickness =0.05 Black
344	----- Hexagon flange bolt				
	0-28450-612-0	Q1840612		08	A M6×12

Sunshield and auxiliary handle

7-43

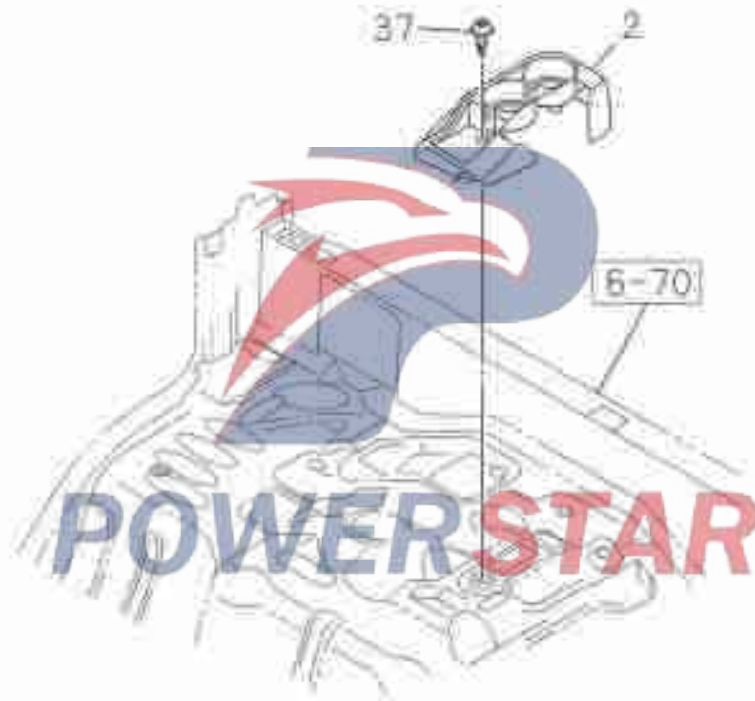
Figure No.

N/S	Recommended specification / name				Applicable models / applicable status / notes
	Isuzu figure No.	QingLing figure No.	Left/Right	Qty.	
					Single cab
354	Headlining storage box assembly				
	8-97408-065-2	8204210-P301	Left	01	A Dark grey
355	Screw				
	0-72380-516-0			04	A M5×16
356	Bracket				
	8-98036-023-3	8204351-P301	Left	01	A (A)
	8-97386-874-1	8204331-P301	Left	01	A (C)
	8-97585-576-3	8204341-P301		01	A (B)
	8-97585-577-0	8204141-P301		01	A Front bracket (D)
359	Holder				
	8-98041-754-0	8204311-P301		02	A

7-45

Control box

Figure No.

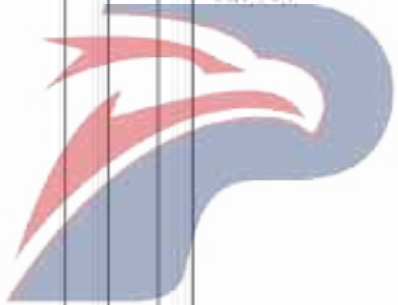


Control box

7-45

Figure No.

N/S	Recommended specification / name				Applicable models / applicable status / notes
	Isuzu figure No.	QingLing figure No.	Left/Right	Qty.	
					Single cab
2	Operate and control assembly				
	8-97405-982-2	5002910-P301		01	A Grey
37	Bolt				
	8-98064-118-1	5002116-P301		03	A M6×14



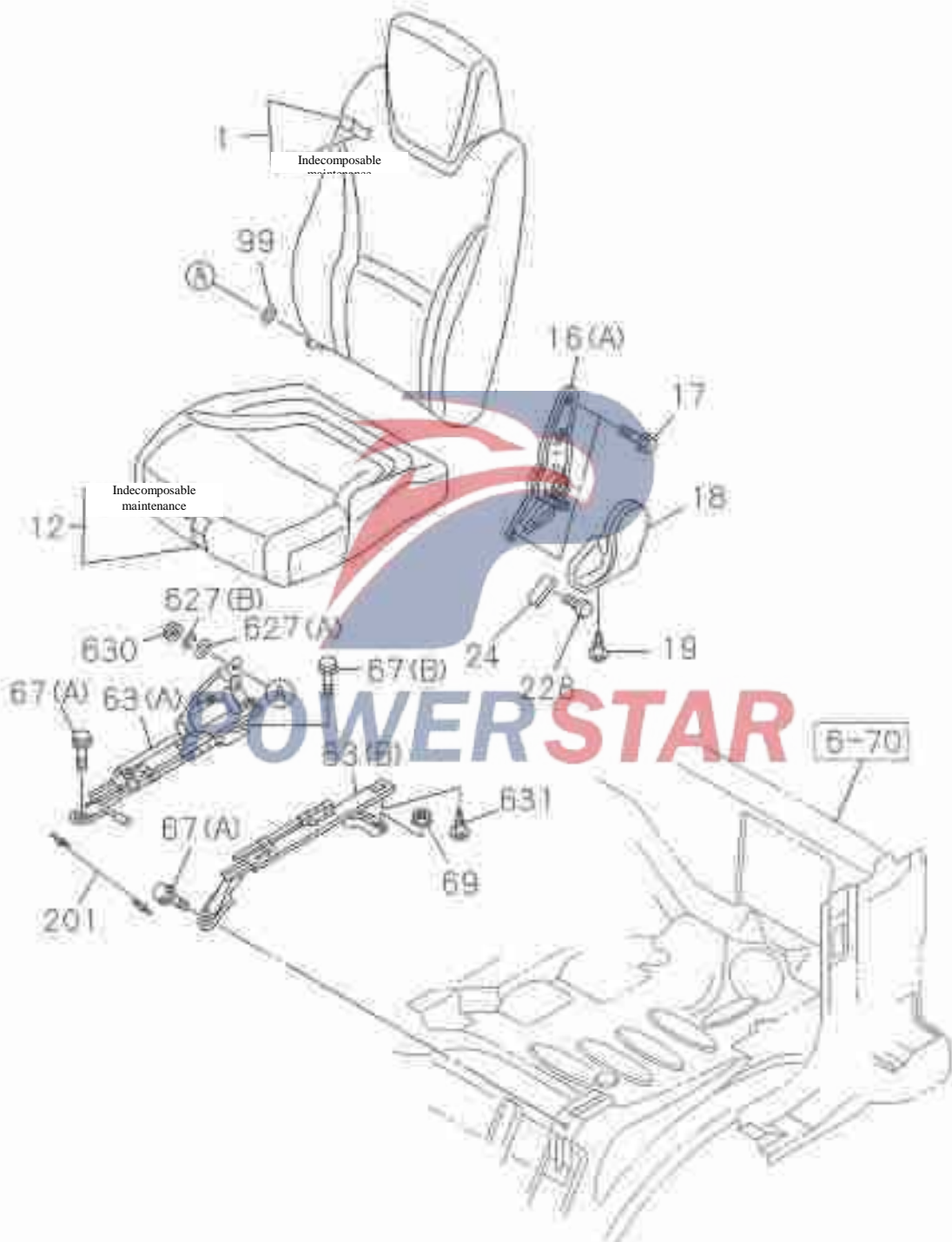
POWERSTAR

7-50

Front seats

Figure No.

Driver seat

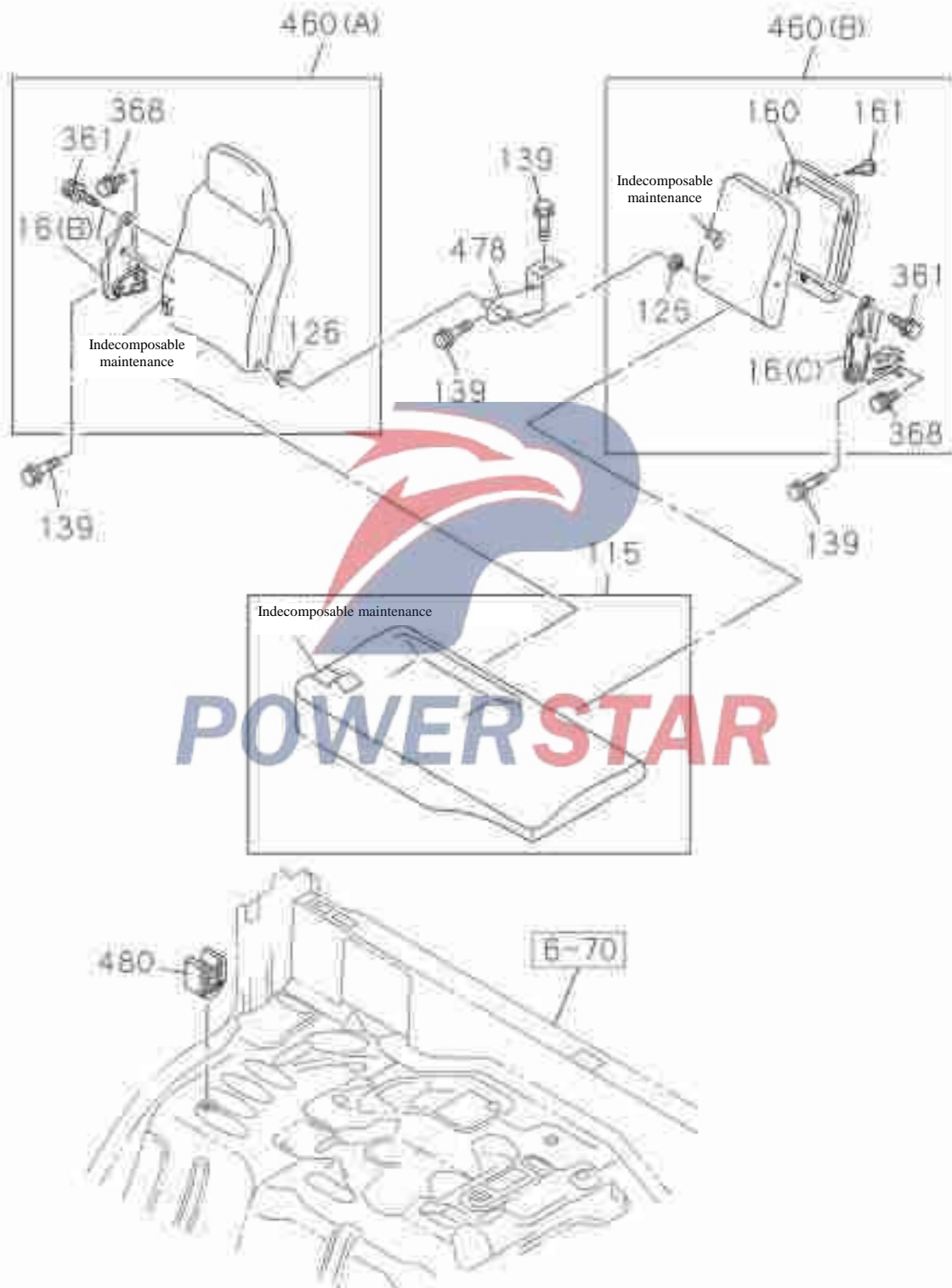


Front seats

Front passenger seat

7-50

Figure No.



7-50

Front seats

Figure No.

N/S	Recommended specification / name of part				
	Isuzu figure No.	QingLing figure No.	Left/Right	Qty.	Applicable models / applicable status / notes
					Single cab
1	Drive seat back assembly				
		6805010-P301		01	A Dark grey
12	Driver cushion assembly				
		6803010-P301		01	A Dark grey
16	Backrest regulating mechanism assembly				
	8-97859-273-3			01	A (C) Black
	8-97859-274-3			01	A (B) Black
		6804100-P301		01	A (A)
17	Bolt				
	8-98062-661-0			04	A
18	Cover- regulator				
	8-97409-361-0			01	A Grey
19	Screw - cover				
	8-98062-663-0			01	A

Front seats

7-50

Figure No.

N/S	Recommended specification / name				
	Isuzu figure No.	QingLing figure No.	Left/Right	Qty.	Applicable models / applicable status / notes
					Single cab
24	Handle- regulator				
	8-97409-362-0			01	A Grey
63	Slideway assembly				
		6804000-P301		01	A (A) Inside
	8-98002-908-0			01	A (B) Outside
67	Bolt				
	8-98055-941-0			02	A (A) M10×20 Tape reel
	8-98055-942-0			01	A (B) M10×30 Tape reel
69	Nut				
	8-98055-961-0			01	A M10 Tape reel
99	Sleeve-seat				
	8-98063-219-0			01	A
115	Front passenger seat cushion assembly				
	8-97382-752-3	6903010-P301		01	A Dark grey

7-50

Front seats

Figure No.

N/S	Recommended specification / name				
	Isuzu figure No.	QingLing figure No.	Left/Right	Qty.	Applicable models / applicable status / notes
					Single cab
126	--- Sleeve-seat				
	8-98069-558-0			02	A
139	--- Bolt				
	8-98031-841-0			04	A
					M8×20
160	--- Central skeleton assembly				
		7505300-P301		01	A
					Grey
161	--- Screw- central skeleton assembly				
	8-94279-351-0			03	A
					M4×12
201	--- Cables - Slides				
	8-98003-086-0			01	A
228	--- Screw -regulator cover				
	8-98062-662-0			01	A
361	--- Bolt				
	8-94279-109-1			04	A
					M8×18
368	--- Bolt-seat				
	8-98031-841-0	6905253-P301		04	A
					M8×20

Front seats

7-50

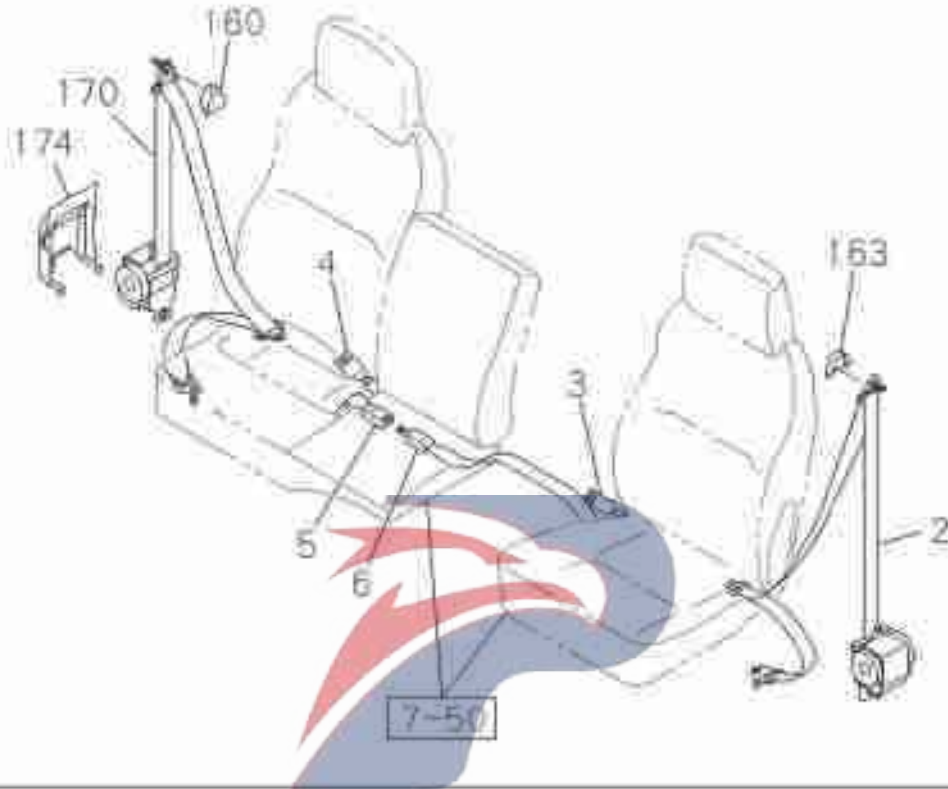
Figure No.

N/S	Recommended specification / name of part				
	Isuzu figure No.	QingLing figure No.	Left/Right	Qty.	Applicable models / applicable status / notes
					Single cab
460	--- Front passenger seat back assembly				
	8-97406-045-3	6905010-P301		01	A (A) Dark grey
	8-97406-046-2	7505010-P301		01	A Central assembly (B) Dark grey
478	--- Hinge bracket assembly-seat				
	8-98002-092-0	6101010-P301A		01	A
480	--- Fixation clamp-front seat cushion				
	8-94279-977-0	6205226-803		05	A
627	--- Washer				
	8-98063-223-0			01	A (A)
	8-98063-224-0			01	A (B)
630	--- Nut				
	8-98063-225-0			01	A
631	--- Bolt				
	8-98062-658-0			02	A M8×25
	8-98062-659-0			02	A M8×32

7-60

Seat belt

Figure No.

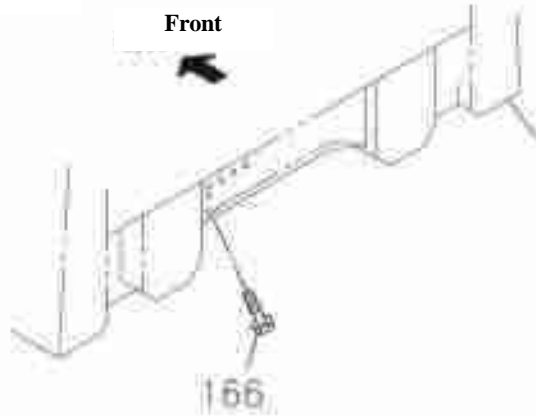


POWERSTAR

Graphic representation



Front



Seat belt

7-60

Figure No.

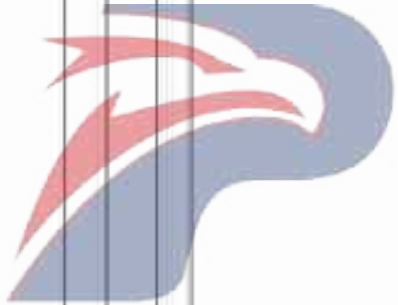
S/N	Recommended specification / name				
	Isuzu figure No.	QingLing figure No.	Left/Right	Qty.	Applicable models / applicable status / notes
					Single cab
2	----- Retractor and braid assembly				
	8-97411-815-0	8212210-P301		01	A Grey
3	----- Buckle assembly-driver side seat belt				
	8-97405-175-1	8212110-P301		01	A Grey
4	----- Buckle assembly-seat belt				
	8-97405-178-1	8212610-P301		01	A Grey
5	----- Buckle assembly-middle belt				
	8-97405-182-1	8212310-P301		01	A Grey
6	----- Fabric tape assembly-middle belt				
	8-97411-816-0	8212410-P301		01	A Grey
160	----- Cover plate				
	8-97405-991-0	8212321-P301		01	A Grey
163	----- Cover plate				
	8-97405-991-0	8212321-P301		01	A Grey
166	----- Hexagon flange bolt				
	0-28050-820-0	Q1840820		01	A M8×20

7-60

Seat belt

Figure No.

N/S	Recommended specification / name of part				
	Isuzu figure No.	QingLing figure No.	Left/Right	Qty.	Applicable models / applicable status / notes
					Single cab
170	----- Retractor and braid assembly				
	8-97411-815-0	8212210-P301		01	A Grey
174	----- Cover plate-seat belt				
	8-98039-376-1	8212061-P301		01	A



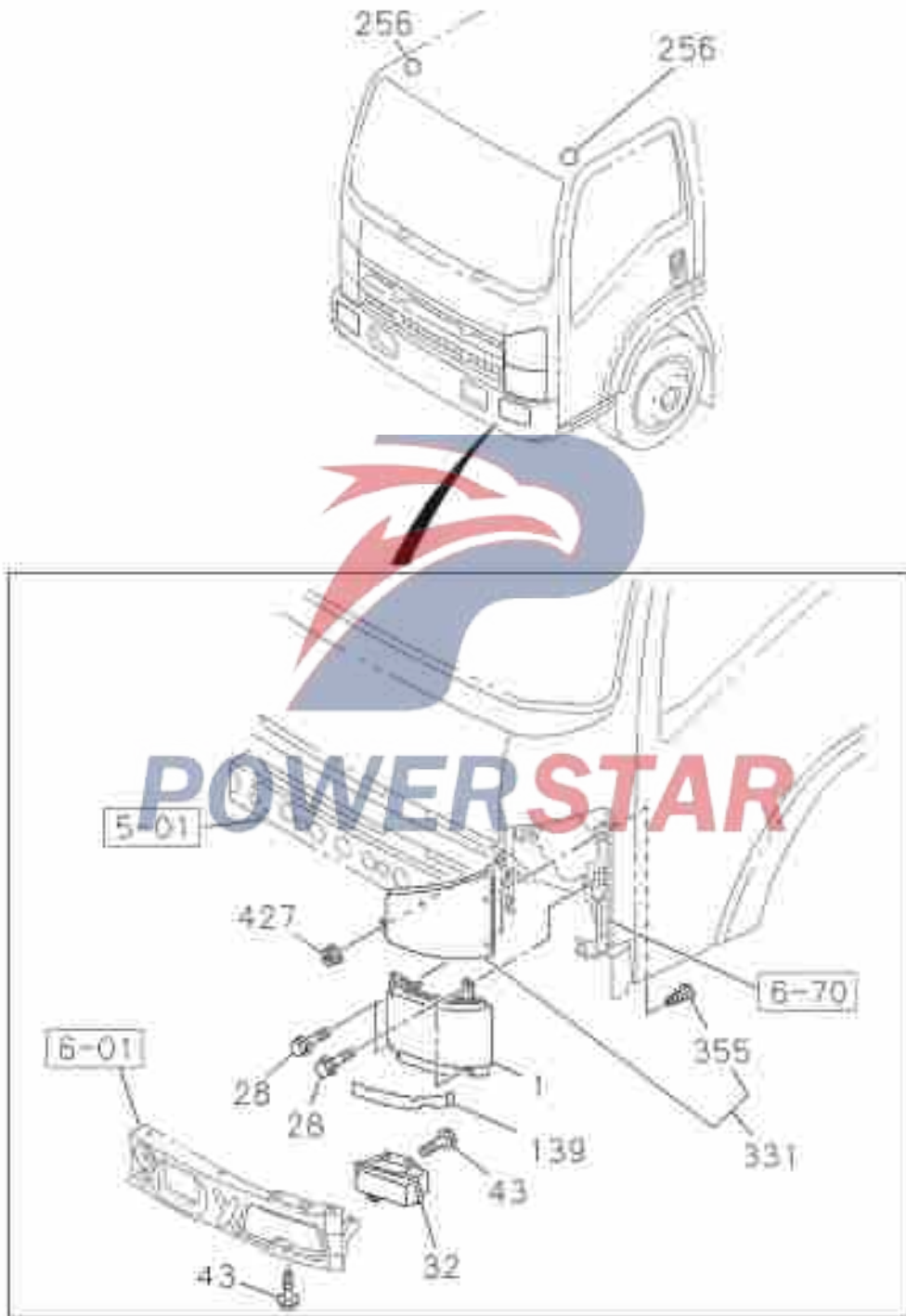
POWERSTAR

8-01

Headlights and sidelights

Figure No.

Headlights



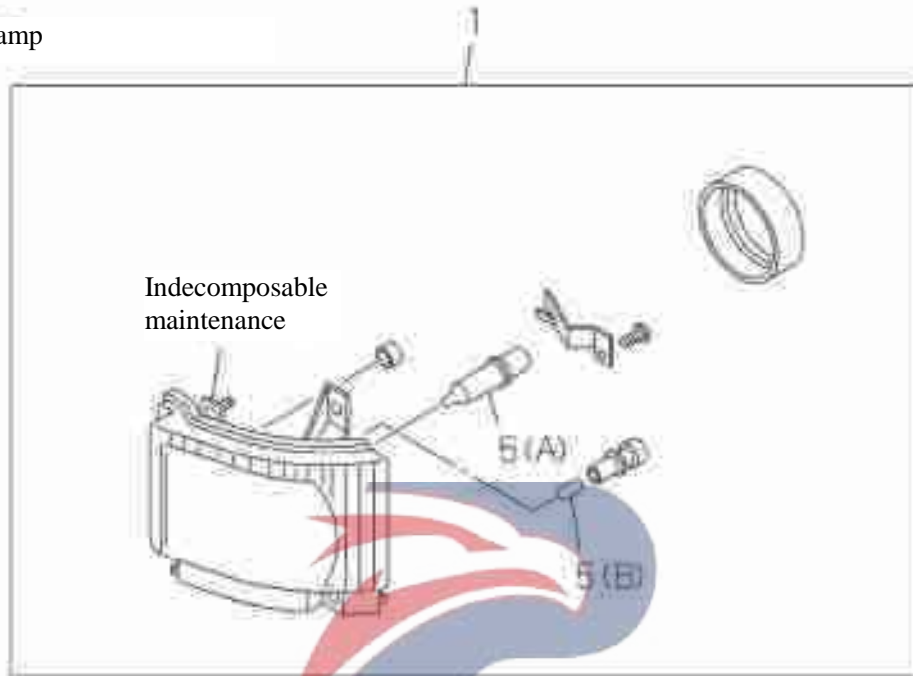
Headlights and sidelights

8-01

Headlights and clearance lamp

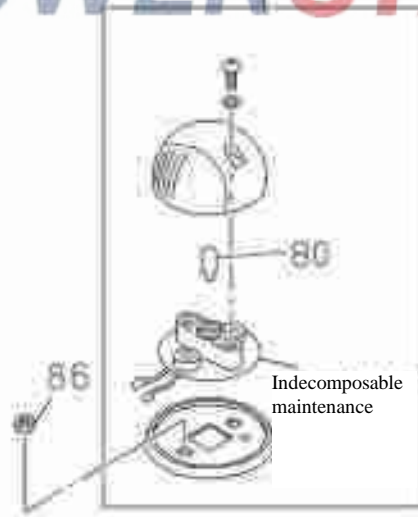
Figure No.

Headlamp



Clearance lamp

POWER STAR



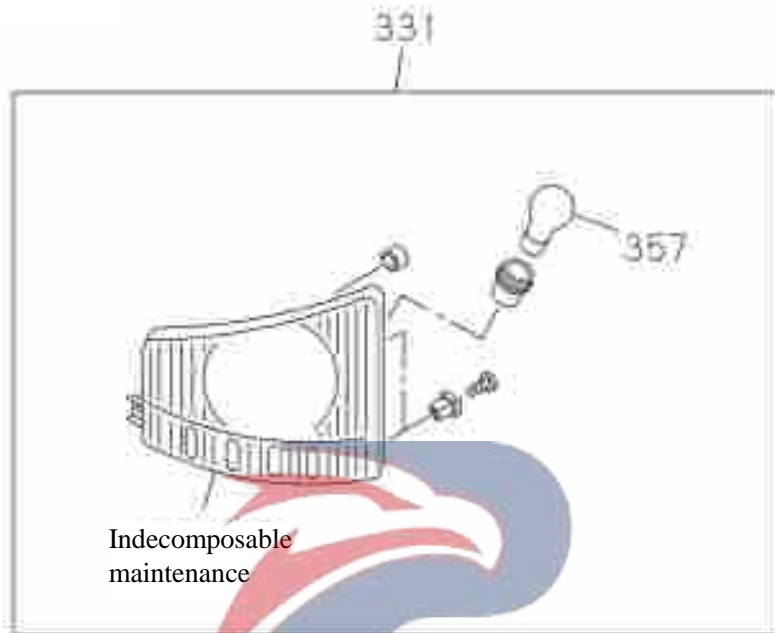
8-01

Headlights and sidelights

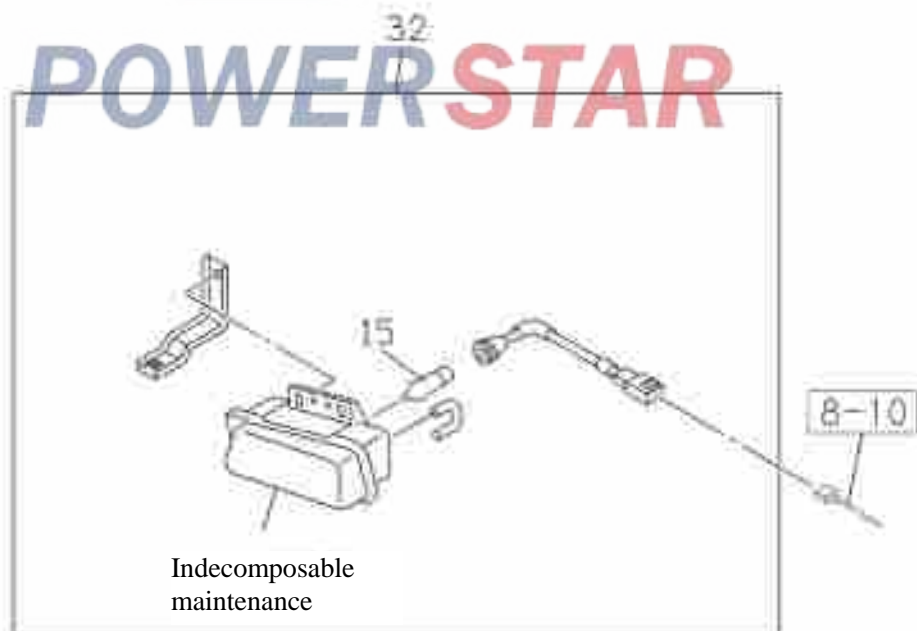
Figure No.

Front combined lamp and fog lamp

Front combined lamp



Fog lamp

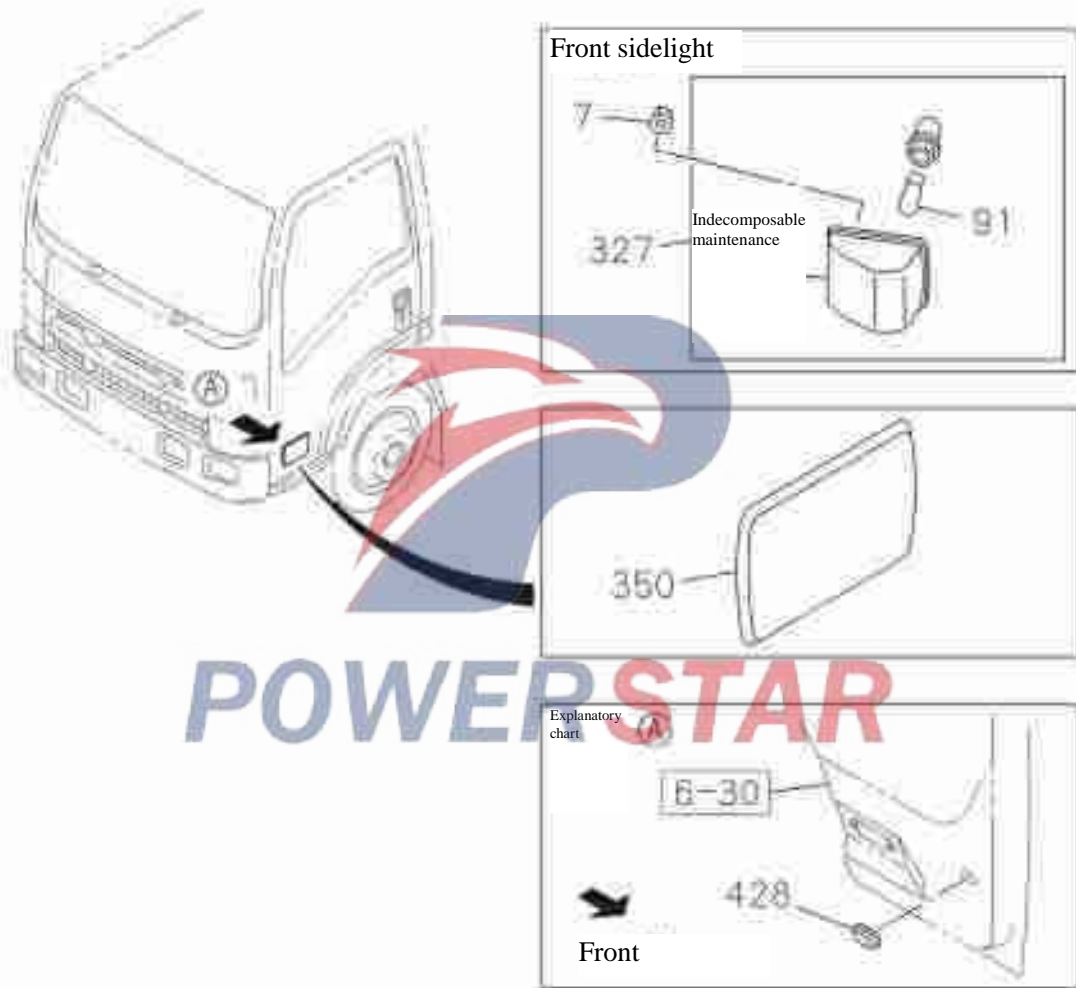


Headlights and sidelights

8-01

Front sidelights and plug cover

Figure No.



8-01

Headlights and sidelights

Figure No.

S/N	Recommended specification / name of part				
	Isuzu figure No.	QingLing figure No.	Left/Right	Qty.	Applicable models / applicable status / notes
					A
					Single cab
1	---- Brake oil pipe assembly				
	8-97585-166-3		Right	01	A
	8-97585-167-3		Left	01	A
5	---- Bulb-headlamp				
	1-82194-042-0			02	A
					(B) 24V 5W
	1-82194-063-0			02	A
					(A) 24V 75/70W
7	---- Hexagon flange nut				
	0-91180-106-0	Q32006		02	A
15	---- Bulb-front fog lamp				
	1-82194-106-0			02	A
					24V 70W
28	---- Combination bolt				
	8-98031-842-0	3711311-P301		08	A
					M6×20
32	---- Front fog lamp assembly				
	8-97378-908-1	3732040-P301	Right	01	A
	8-97378-909-1	3732030-P301	Left	01	A

Headlights and sidelights

8-01

Figure

S/N	Recommended specification / name of part				
	Isuzu figure No.	QingLing figure No.	Left/Right	Qty.	Applicable models / applicable status / notes
					A Single cab
43	Hexagon head bolt, spring washer and plain washer sub assembly				
	0-50640-620-0	Q1460620		06	A M6 × 20
80	Bulb-clearance lamp				
	8-94135-397-0			02	A 24V 5W
86	Hexagon flange nut				
	0-91180-106-0	Q32006		04	A M6
91	Bulb-front sidelight				
	8-98051-495-0			02	A 24V 21W
139	Sealing gasket				
	8-98034-056-1			02	A
256	Clearance lamp assembly				
	8-97587-596-2	3714020-P301	Right	01	A
	8-97587-597-2	3714010-P301	Left	01	A
327	Front sidelight assembly				
	8-97410-180-2		Right	01	A
	8-97410-181-2		Left	01	A

8-01

Headlights and sidelights

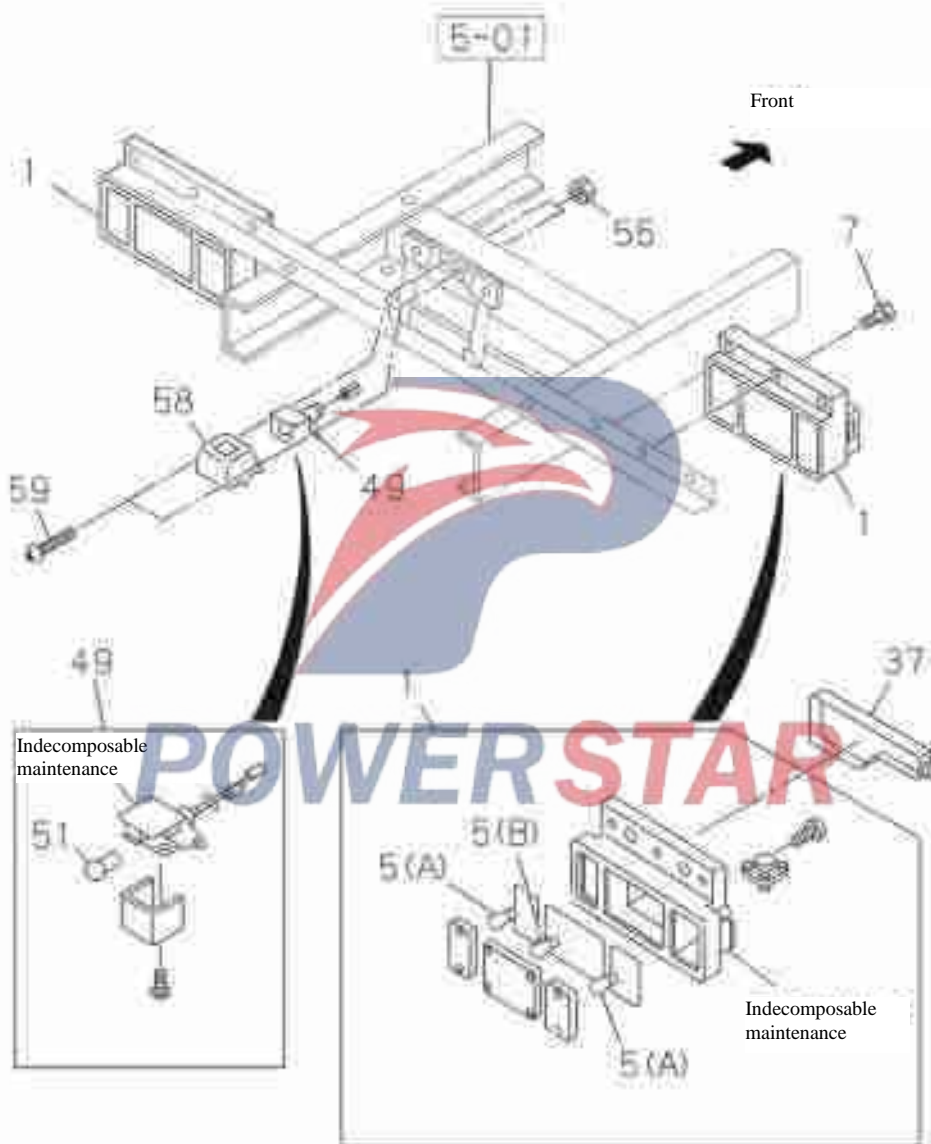
Figure No.

S/N	Recommended specification / name of part				
	Isuzu figure No.	QingLing figure No.	Left/Right	Qty.	Applicable models / applicable status / notes
					A Single cab
331	Front combined lamp assembly				
	8-97585-172-1		Right	01	A
	8-97585-173-1		Left	01	A
350	Cover plate-door				
	8-98061-390-0	3711351-P301		02	A
357	Bulb-front combined lamp				
	8-97323-806-0			02	A
	24V 21W Amber				
427	Hexagon flange nut				
	0-91180-106-0	Q32906		02	A
428	Plug cover front plate				
	8-94430-184-1	8504101-44		02	A

Rear license plate lamp and

8-03

Figure No.



8-03

Rear license plate lamp and

Figure No.

S/N	Recommended specification / name of part				
	Isuzu figure No.	QingLing figure No.	Left/Right	Qty.	Applicable models / applicable status / notes
					Single cab
1	Post composite lamp				
	8-98002-165-0	3773010-P301	Left	01	A
	8-98002-166-0	3773020-P301	Right	01	A
5	Bulb-post composite lamp				
	1-82194-108-0			04	A (A) 24V 21W
	1-82194-109-0			02	A (B) 24V 21/5W
7	Hexagon head combination bolt				
	0-50640-620-0	Q1400620		04	A M6×20
37	Cover-post composite lamp				
	8-94128-858-4	3773052-P301	Right	01	A
	8-94129-274-4	3773051-P301	Left	01	A
49	Rear license plate lamp assembly				
	8-98029-477-0	3717010-P301		01	A
51	Bulb-rear license plate lamp				
	1-82194-037-0			01	A 24V 10W

Headlights and sidelights

8-03

Figure No.

S/N	Recommended specification / name of part				
	Isuzu figure No.	QingLing figure No.	Left/Right	Qty.	Applicable models / applicable status / notes
					Single cab
55	Hexagon flange nut				
	8-94153-039-0	Q32005		02	A M5
58	Lampshade-rear license plate lamp				
	8-97076-590-1	3717051-P301		01	A
59	Cross recess pan head combination screw				
	9-93490-520-0	Q2300520		02	A M5×20

POWERSTAR

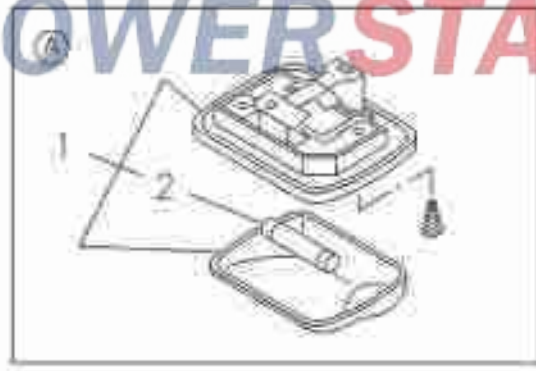
8-05

Figure No.

Indoor lamp



POWERSTAR

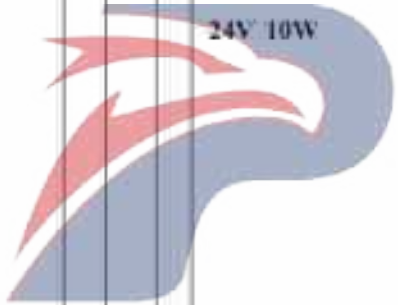


Indoor lamp

8-05

Figure No.

N/S	Recommended specification / name of part				
	Isuzu figure No.	QingLing figure No.	Left/Right	Qty.	Applicable models / applicable status / notes
					Single cab
1	---- Room light assembly				
	8-98013-421-3	3714030-P301		01	A
2	---- Bulb-indoor lamp				
	5-82194-030-0			01	A



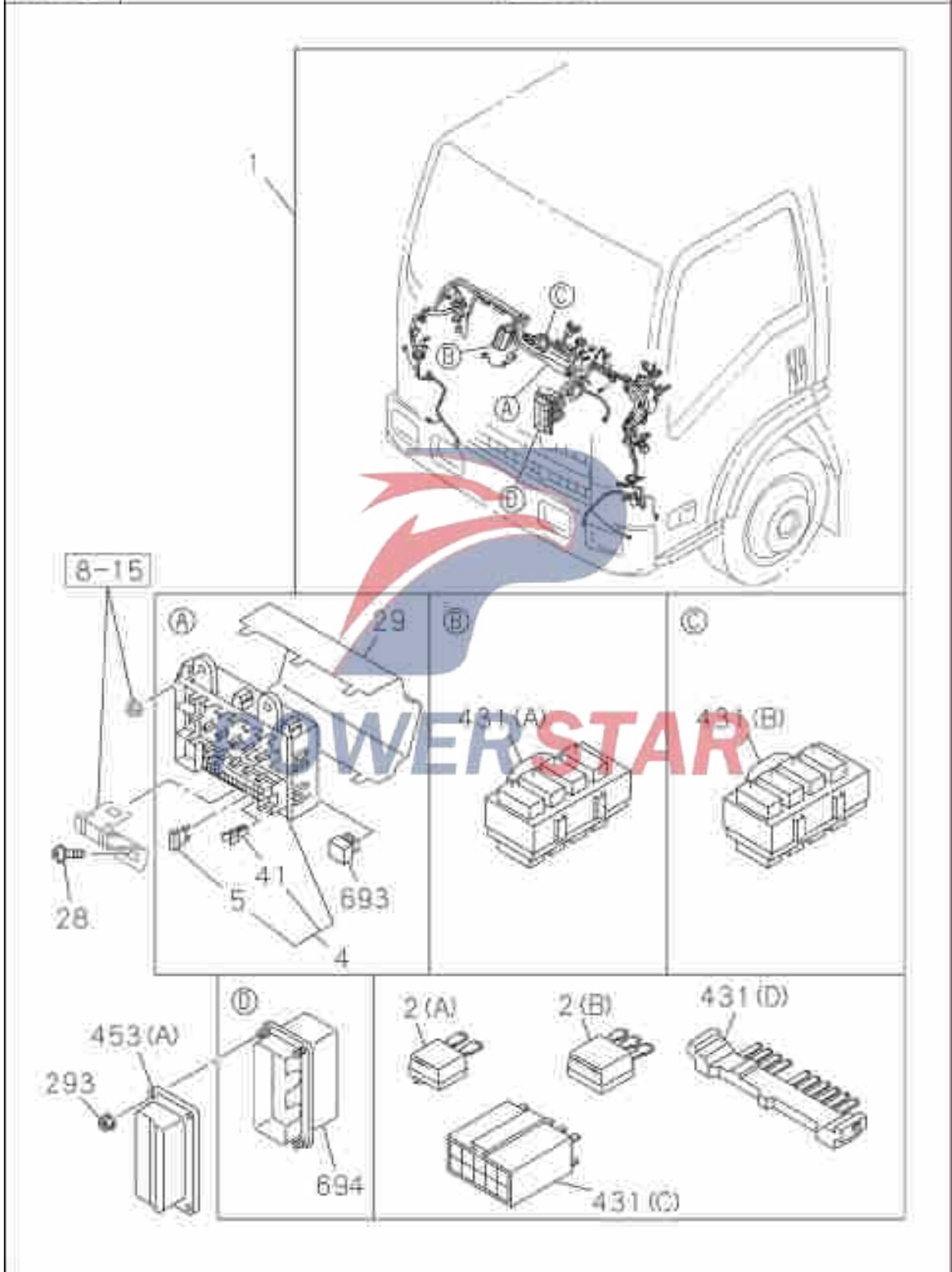
POWERSTAR

8-10

Wire harness and fuse

Figure No.

Cab wire harness

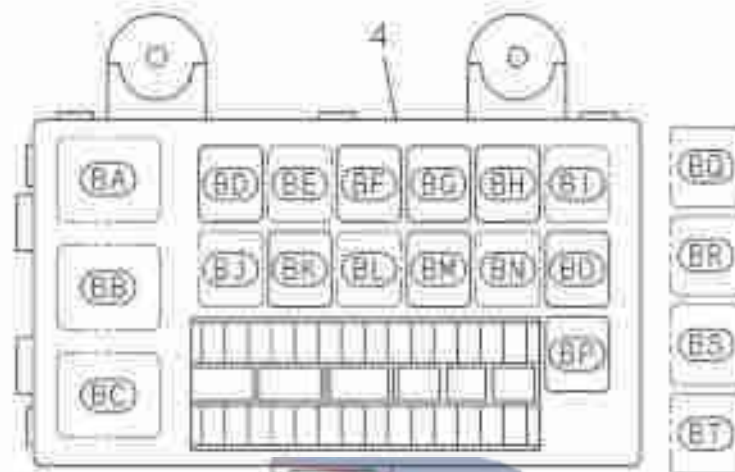


Wire harness and fuse

8-10

Relay-Cab wire harness

Figure No.



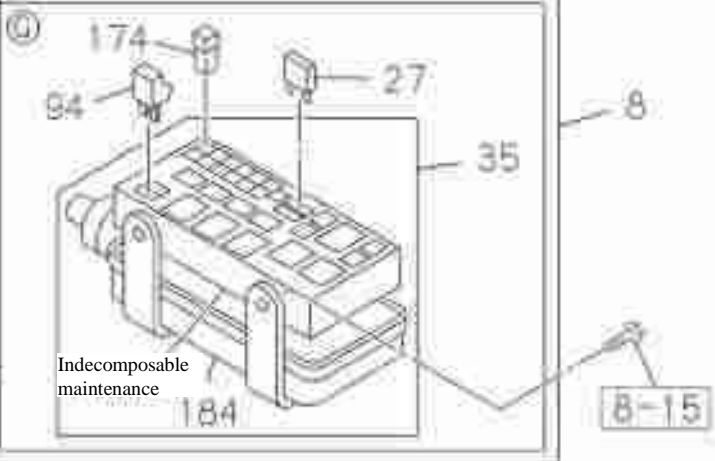
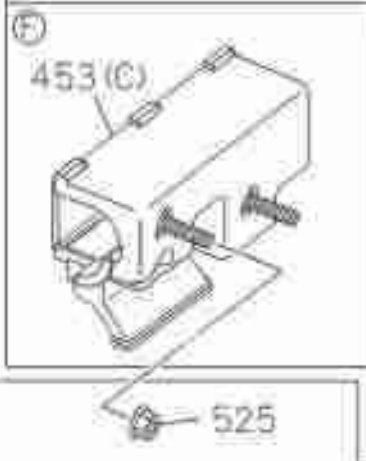
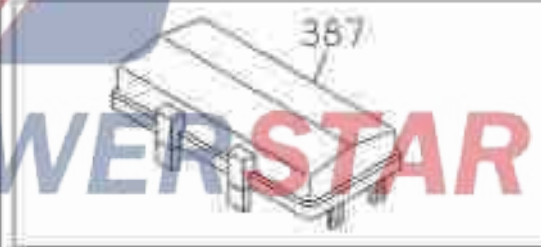
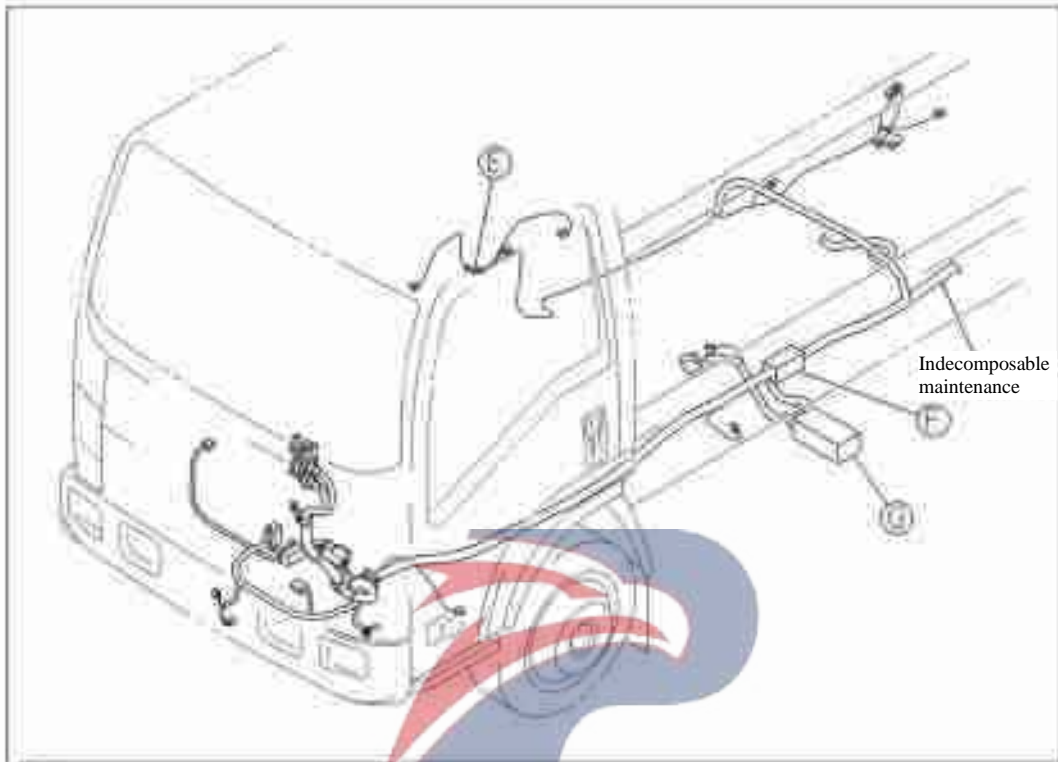
	S/N	Relay types	S/N	Relay types
(BA)	8-28	Stop light	(BJ)	
(BB)	8-25	Fan heater	(BK)	693 Door lock (open)
(BC)	8-25	Connect	(BL)	8-25 Wiper motor
(BD)	693	Door lock	(BM)	693 Headlamp
(BE)	8-25	Rear fog lamp	(BN)	
(BF)	693	Wiper	(BO)	693 Headlamp high beam
(BG)	693	Horn	(BP)	693 Taillight
(BH)	693	Wiper-high/low gears	(BQ)	
(BI)	8-25	Fog lamp	(BR)	
			(BS)	
			(BT)	

8-10

Wire harness and fuse

Figure No.

Chassis wire harness-front section

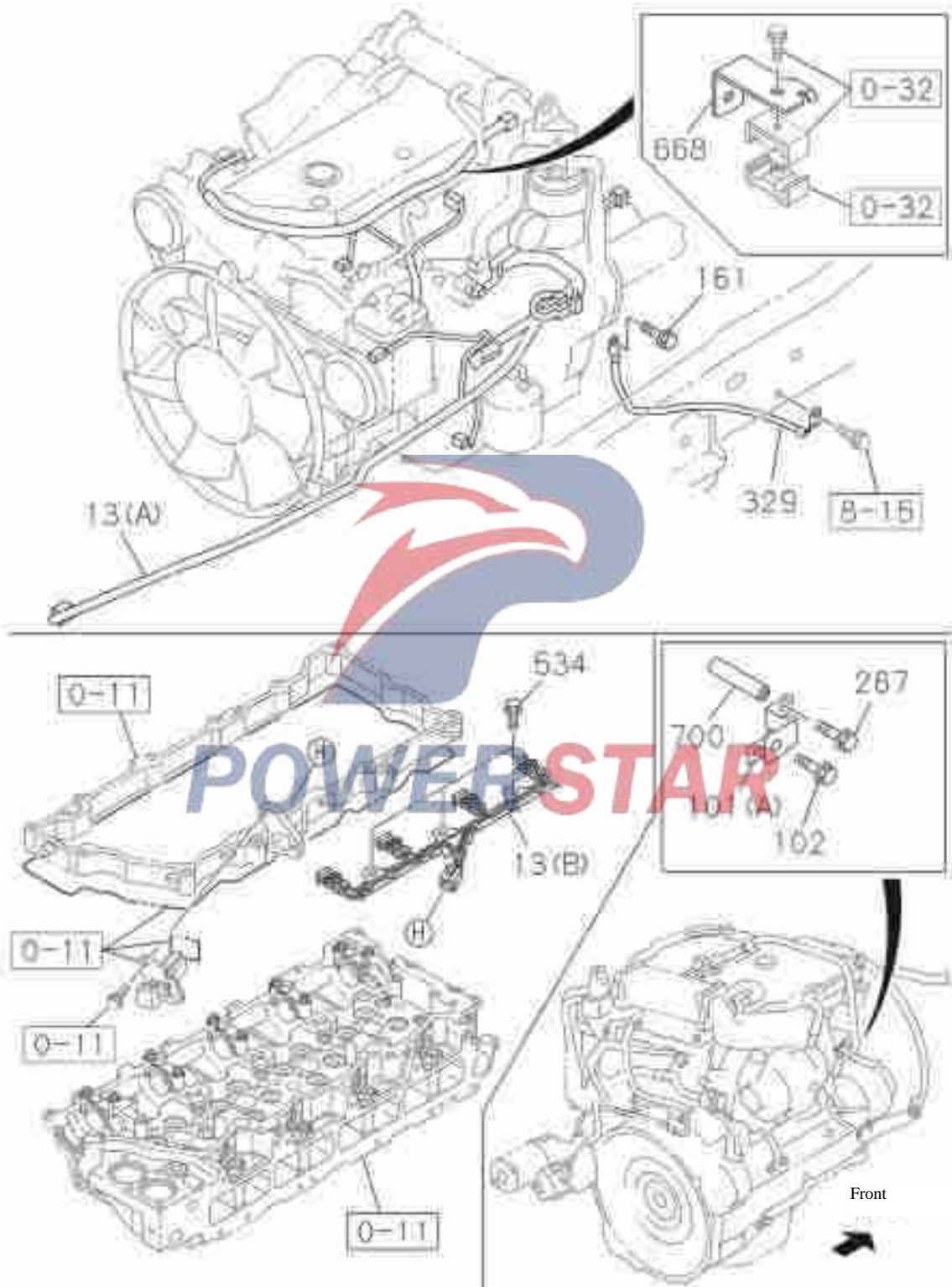


Wire harness and fuse

8-10

Engine fuse

Figure No.

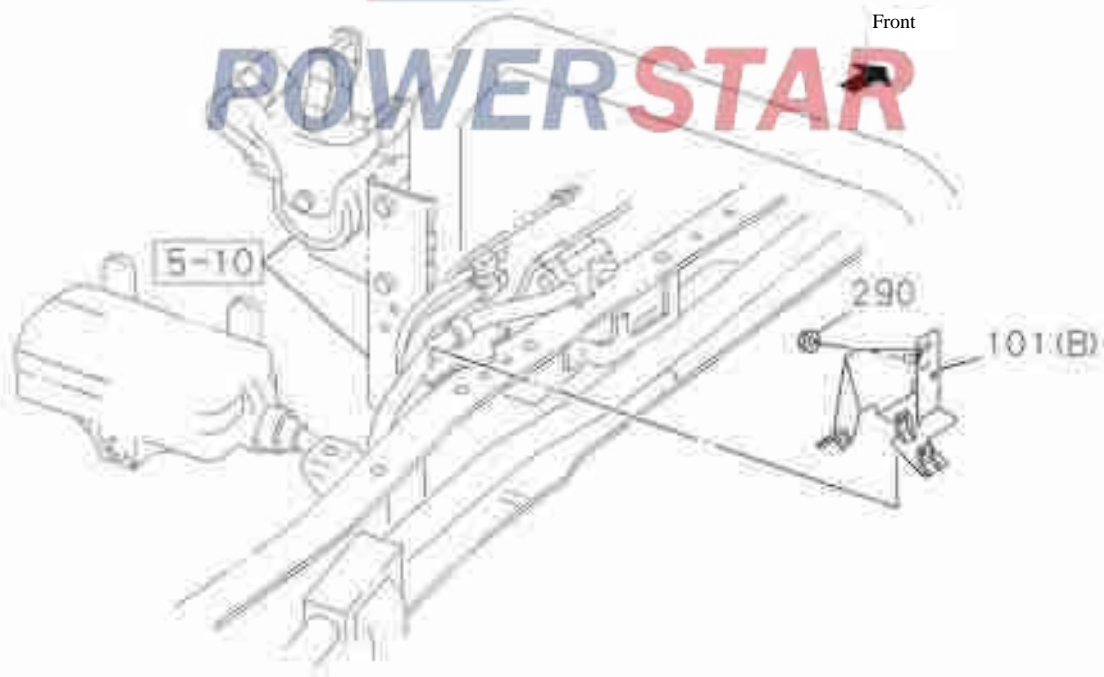
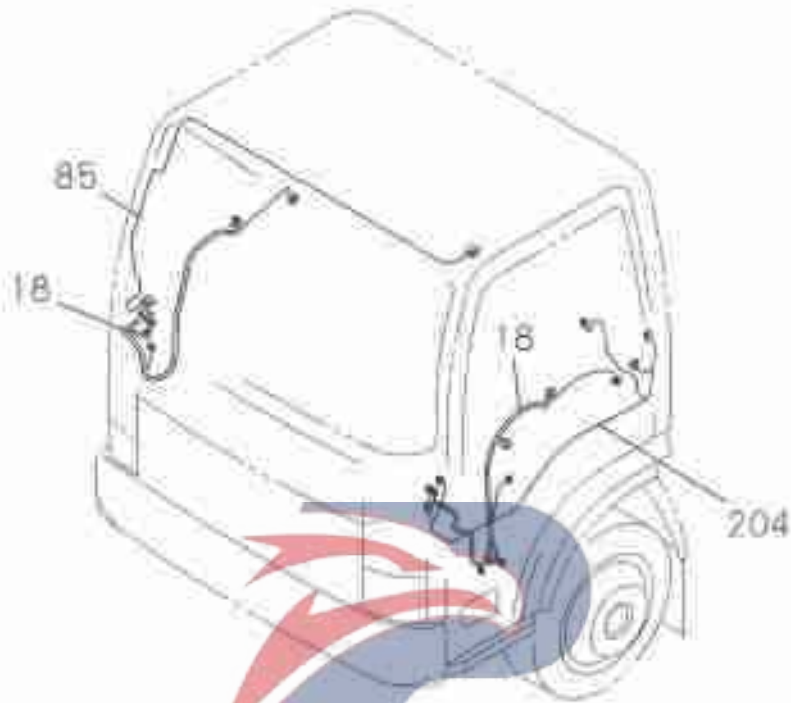


8-10

Wire harness and fuse

Figure No.

Other harness (NO.1)

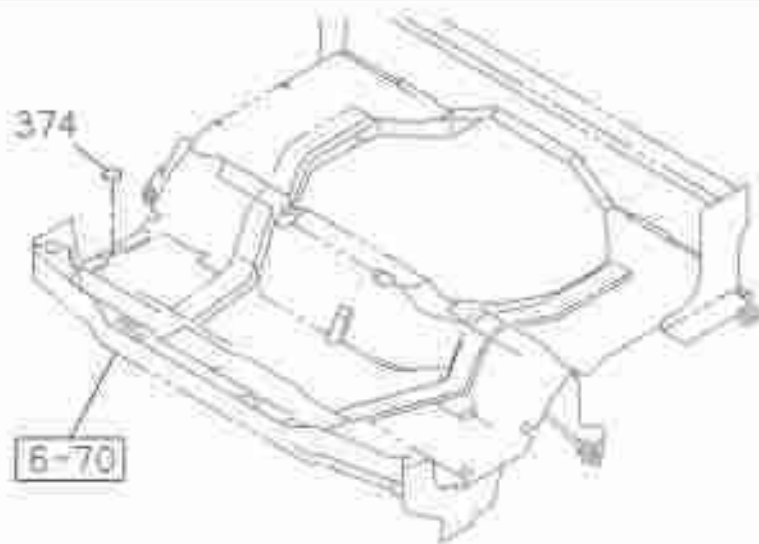
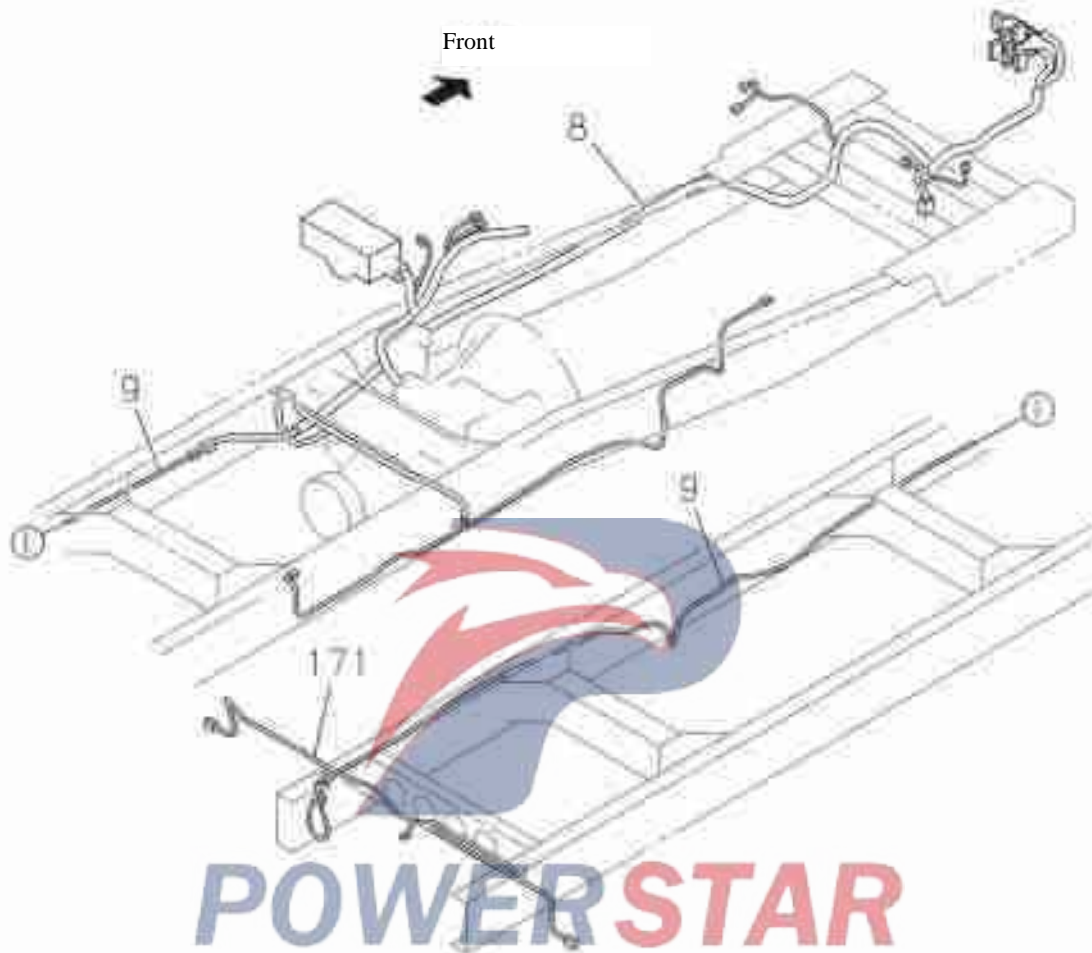


Wire harness and fuse

8-10

Other harness (NO.2)

Figure No.



8-10

Wire harness and fuse

Figure No.

N/S	Recommended specification / name of part				
	Isuzu figure No.	QingLing figure No.	Left/Right	Qty.	Applicable models / applicable status / notes
					Single cab
1	---- Body instrument wiring harness assembly				
	8-98070-762-0	3724090-P301		01	A
2	---- Diode-body harness				
	8-94422-639-1			03	A
					(A) Black 2P-1.5A
	8-94422-640-1			02	A
					(B) Black 3P-1.5A
4	---- Fuse box assembly				
	8-98067-619-0			01	A
5	---- Fuse				
	8-98054-257-0			As required	A 10A Red
	8-98054-258-0			As required	A 15A Blue
	8-98054-259-0			As required	A 20A Yellow
8	---- Harness assembly-chassis front section				
	8-98073-944-2	3724020-P301		01	A Straight frame type

Wire harness and fuse

8-10

Figure No.

N/S	Recommended specification / name of part					
	Isuzu figure No.	QingLing figure No.	Left/Right	Qty.	Applicable models / applicable status / notes	
					A	
					Single cab	
9	---- Harness assembly-chassis rear section					
	8-98067-971-1	3724030-P304		01	A	Only for wheelbase 4475mm luxury models Straight frame type
	8-98067-972-1	3724030-P303		01	A	Only for wheelbase 4175mm models Straight frame type
	8-98073-945-1	3724030-P301		01	A	Only for wheelbase 4475mm models Straight frame type
		3724030-P302		01	A	Only for wheelbase 5200mm models Straight frame type
13	---- Engine wiring harness					
	8-98075-586-1	3724910-P301		01	A	24V 50A Generator (A)
	8-97332-133-2	3724710-P301		01	A	Harness - injector (B)
18	---- Harness-front door					
	8-98071-080-1	3724170-P301	Left	01	A	
	8-98071-088-1	3724180-P301	Right	01	A	
	8-98071-079-1	3724070-P301	Left	01	A	
	8-98071-087-1	3724080-P301	Right	01	A	

8-10

Wire harness and fuse

Figure No.

S/N	Recommended specification / name of part				
	Isuzu figure No.	QingLing figure No.	Left/Right	Qty.	Applicable models / applicable status / notes
					A Single cab
27	---- Fuse				
	8-98054-257-0			04 A	10A Red
28	---- Screw-fuse box				
	0-72180-516-0			01 A	M5×16
29	---- Cover-fuse box				
	8-98056-968-0			01 A	
35	---- Box-relay and fuse box				
	8-98030-763-0			01 A	Straight frame type
41	---- Clip fuse				
	8-98054-260-0			01 A	
85	---- Harness-dome light				
	8-98071-096-1	3724060-P301		01 A	
94	---- Doide-chassis wire harness				
	8-94422-639-1			01 A	Straight frame type Black 2P.-1.5A
101	---- Bracket - engine harness				
	8-98079-137-1	3724681-P301(A)		01 A	Straight frame type (B)
	8-98052-805-0	3724391-P301		01 A	(A)

Wire harness and fuse

8-10

Figure No.

N/S	Recommended specification / name of part				
	Isuzu figure No.	QingLing figure No.	Left/Right	Qty.	Applicable models / applicable status / notes
					A
102	---- Bolt				
	0-28151-016-0	Q1841015		01	A M10×16 Tape reel
	0-28151-025-0	Q1841025		01	A M10×25 Tape reel
161	---- Hexagon flange bolt				
	0-28050-816-0	Q1840816		01	A M8×16
171	---- Harness-post composite lamp				
	8-98070-319-1	3724040-P301		01	A
174	---- Fuse				
	8-98079-191-0			03	A Straight frame type 30A Pink
	8-98079-192-0			01	A Straight frame type 40A Green
	8-98079-193-0			02	A Straight frame type 50A Red
	8-98079-194-0			04	A Straight frame type 60A Yellow
184	---- Cover-relay and fuse box				
	8-98030-766-0			01	A Straight frame type
204	---- Harness assembly				
	8-98070-799-2	3724050-P301	Left	01	A

8-10

Wire harness and fuse

Figure No.

N/S	Recommended specification / name of part				
	Isuzu figure No.	QingLing figure No.	Left/Right	Qty.	Applicable models / applicable status / notes
					Single cab
267	Hexagon flange bolt				
	0-28156-12-0	Q18410120		01	A M10×120
290	Hexagon flange nut				
	0-91180-108-0	Q32008		01	A M8
293	Hexagon flange nut				
	0-91180-106-0	Q32006		04	A M6
329	Engine harness assembly				
	8-98039-304-2	3724010-P301		01	A Straight frame type
374	Sealing cover sheet				
	8-98031-126-0			01	A Outer diameter =32 Black
387	Cover plate- relay box				
	8-98030-767-1	3724331-P301		01	A
431	Connector-joint				
	1-82699-598-0			01	A (D) Block 10P
	8-97077-943-0			02	A (C) 10P

Wire harness and fuse

8-10

Figure No.

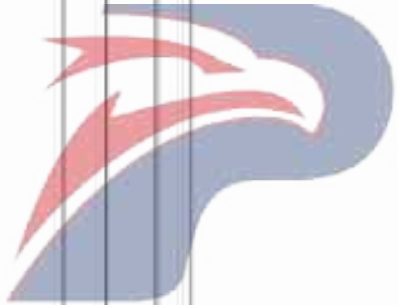
N/S	Recommended specification / name of part				
	Isuzu figure No.	QingLing figure No.	Left/Right	Qty.	Applicable models / applicable status / notes
					A
					Single cab
431	--- Connector-joint				
	8-98046-205-0			01	A (A)
	8-98046-206-0			01	A (B)
453	--- Protective jacket-harness				
	8-94417-716-0			02	A Straight frame type (B)
	8-98031-620-1			01	A Straight frame type (C)
	8-98057-647-0			01	A (A)
525	--- Hexagon flange nut				
	0-91180-108-0	Q32008	Left	02	A M18
534	--- Bolt				
	8-94399-863-1			03	A M10×55 Tape reel
668	--- Bracket-harness				
	8-98001-095-0			01	A
693	--- Relay				
	8-97173-035-1			AR	A 24V 10A

8-10

Wire harness and fuse

Figure No.

N/S	Recommended specification / name of part				
	Isuzu figure No.	QingLing figure No.	Left/Right	Qty.	Applicable models / applicable status / notes
					Single cab
694	--- Box assembly				
	8-98057-640-0			01 A	
700	--- Spacer				
	8-98084-726-0			01 A	Except manual control A/C

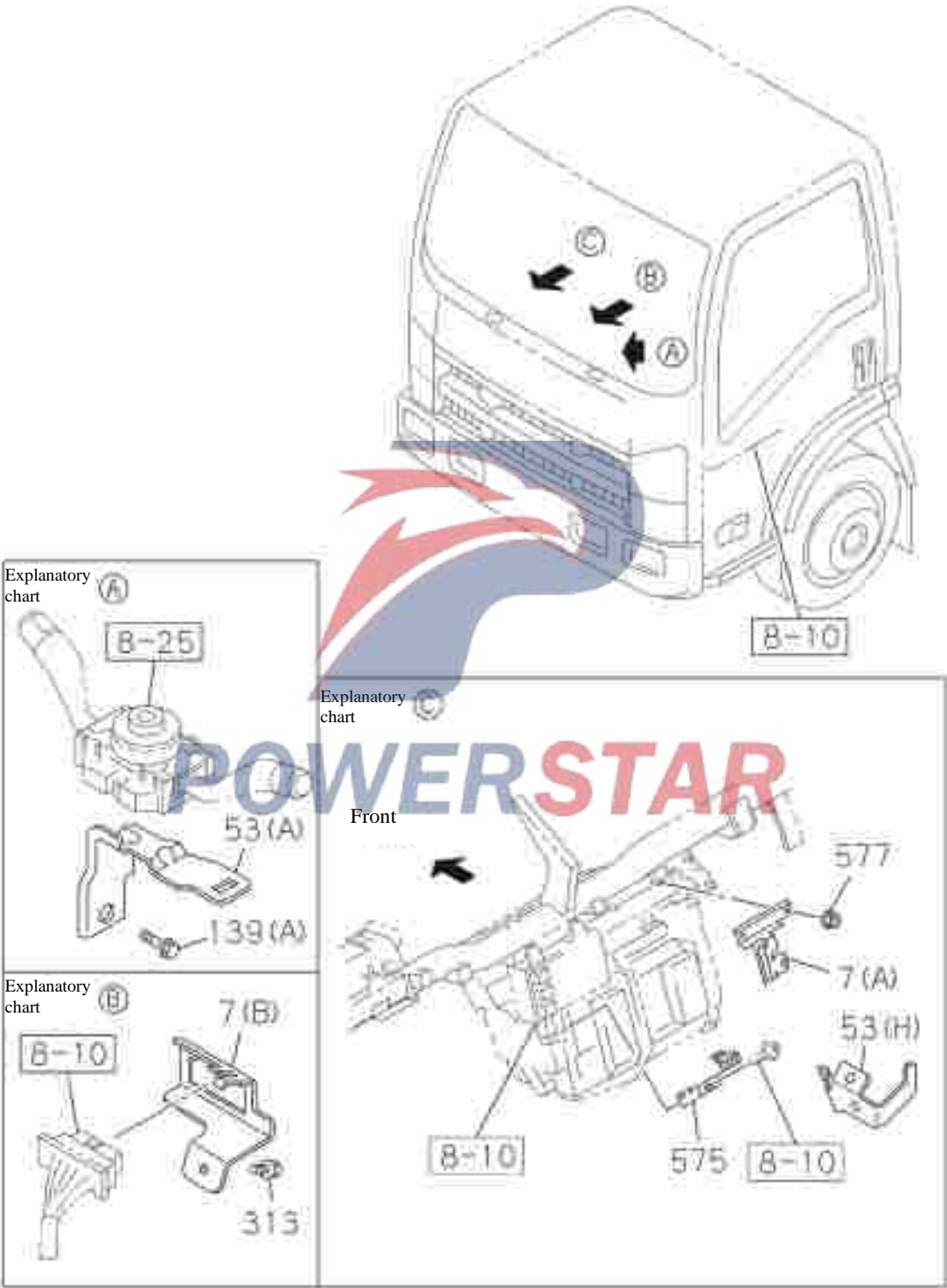


POWERSTAR

Fixed parts for wire harness installation

8-15

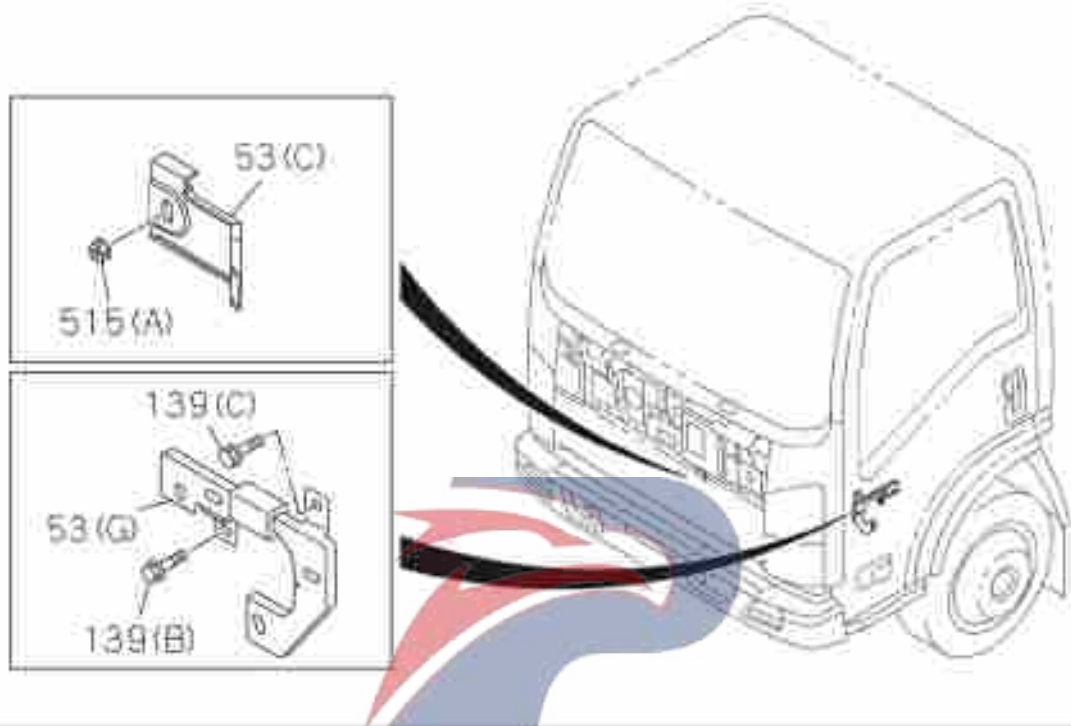
Figure No.



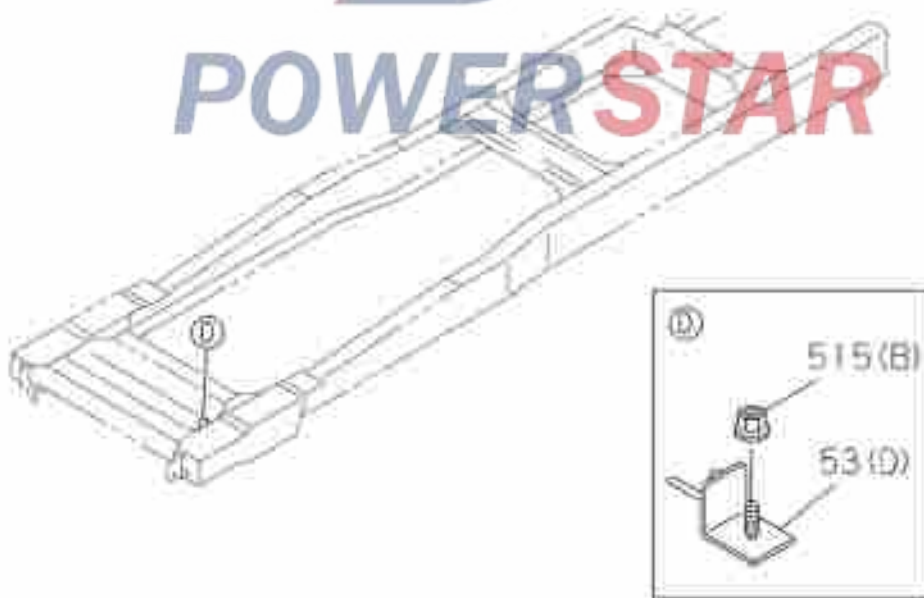
8-15

Fixed parts for wire harness installation

Figure No.



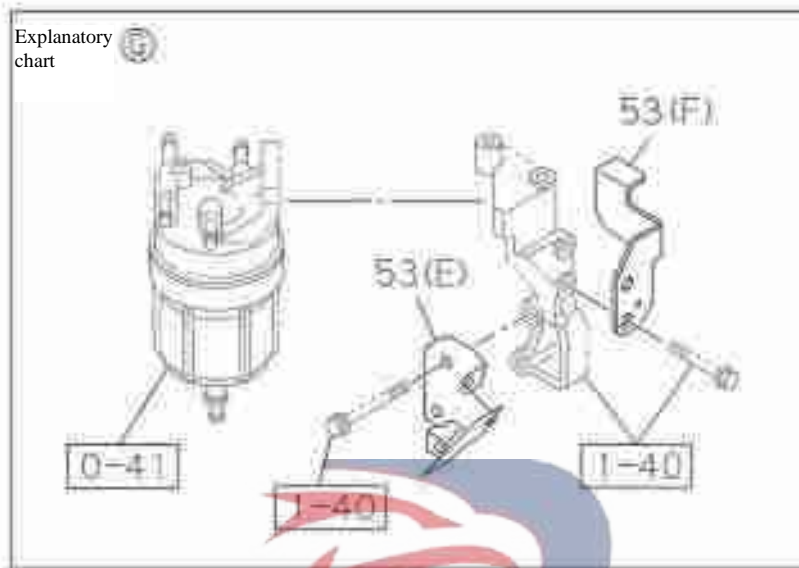
POWER STAR



Fixed parts for wire harness installation

8-15

Figure No.



8-15

Fixed parts for wire harness installation

Figure No.

Bolt and nut

Bolt



Specification	M5X7	M6X10	M6X12	M6X16	M8X12
S/N	516	150(A)	139(C)	313	139(A) 150(B)

Specification	M8X14	M8X16	M8X35	M10X16
S/N	150(C)	139(B) 150(D) 304(A)	529	304(B)

Combination bolt



Specification	M6X14	M8X20	M8X25
S/N	377(A)	377(B) 386(A)	386(B)

POWERSTAR

Nut



Specification	M8	M8	M10
S/N	24 515(A) 577	219 294 515(B) 552(A)	515(C) 515(D) 552(B)

Fixed parts for wire harness installation

8-15

Clip

Figure No.



Specification	L=150
S/N	14



Specification	L=140	L=250
S/N	102(A)	102(B) 488(B)



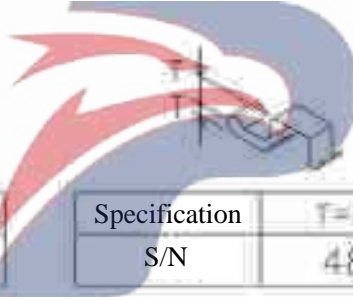
Specification	L=170-3
S/N	488(A)



Specification	L=155
S/N	16(A)



Specification	ID=10&12.5
S/N	48(B)



Specification	T=8&9
S/N	48(C)



Specification	ID=12
S/N	22 483(G)

Specification	L=36
S/N	483(E)



Specification	ID=14.5	ID=24
S/N	483(A)	483(C)



Specification	L=40.6
S/N	16(C)

8-15

Fixed parts for wire harness installation

Figure No.

Clip and other parts



Specification	ID=14
S/N	48(A)

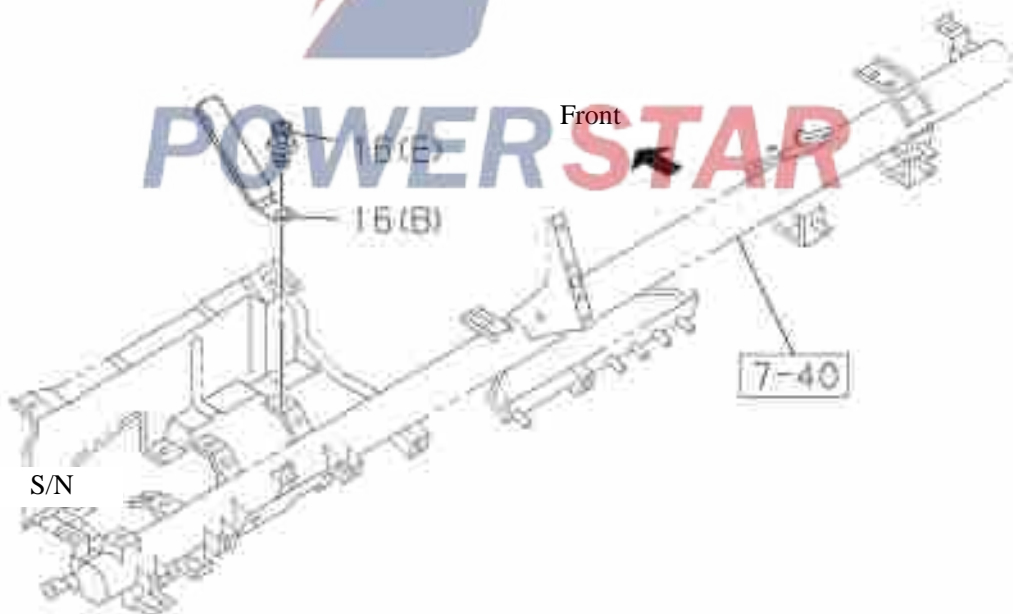
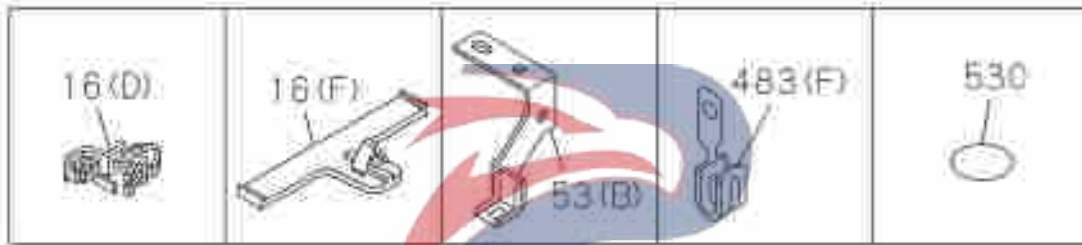


Specification	L=91
S/N	16(B)



Specification	ID=11 H=20 L=29
S/N	483(B)

Specification	ID=18 H=33 L=45
S/N	483(D)



Fixed parts for wire harness installation

8-15

Figure No.

N/S	Recommended specification / name of part				
	Isuzu figure No.	QingLing figure No.	Left/Right	Qty.	
				Applicable models / applicable status / notes	
				A	Single cab
7	---- Bracket				
	8-98043-070-0	3724641-P301	01	A	(B)
	8-98056-073-1	3724611-P301	01	A	Bracket-body harness connection (A)
14	---- Clip				
	8-97355-273-0		02	A	Length=150
16	---- Clip				
	8-94329-956-0		01	A	(B) Length=91 Inner diameter=8.5
	8-94413-325-0		01	A	Fixation clamp (D) Inner diameter=16
	8-97173-307-0		14	A	(A) Length=155
	8-97229-357-0		02	A	(C) Length=155
	8-97857-210-0		01	A	(E)
	8-98052-679-0		02	A	D8.5×19 (F)

8-15

Fixed parts for wire harness installation

Figure No.

N/S	Recommended specification / name of part				
	Isuzu figure No.	QingLing figure No.	Left/Right	Qty.	Applicable models / applicable status / notes
					Single cab
22	---- Clip - wire harness				
	5-09700-350-0	1002213-803		01	A Inner diameter=12
24	---- Hexagon flange nut				
	0-91180-106-0	Q32006		01	A M6
48	---- Clip				
	5-09700-319-0	1303101-803	Right	06	A Straight frame type (A) Outer diameter =14 Length=47
	5-09709-024-0	3724361-P301		01	A Straight frame type (C) Thickness 6&9
	8-94424-440-0	3724371-P301		01	A Straight frame type (B) Inner diameter=10&16.5
53	---- Bracket-harness				
	8-98052-804-0	3724771-P301		01	A (F)
	8-98055-636-0	3724781-P301		01	A (E)
	8-98039-929-1	3724671-P301B		01	A Straight frame type (B)
	8-98014-410-1	3724341-P301		01	A Bracket (C)

Fixed parts for wire harness installation

8-15

Figure No.

N/S	Recommended specification / name of part				Applicable models / applicable status / notes
	Isuzu figure No.	QingLing figure No.	Left/Right	Qty.	
					Single cab
53	---- Bracket-harness				
	8-98032-016-1	3724351-P301	01	A	Bracket (D)
	8-98052-458-0	3724631-P301	01	A	Bracket (A)
	8-98074-502-0	3724721-P301	01	A	Bracket (H)
	8-98089-765-0	3724730-P301	01	A	Bracket assembly (G)
102	---- Clip, harness				
	5-09707-031-1	3724551-803	11	A	(A) Length=140
	5-09707-030-1	1101421-803	04	A	Strap (B) Length=250
139	---- Hexagon flange bolt				
	0-28050-812-0	Q1840812	01	A	(A) M8×12
	0-28050-816-0	Q1840816	01	A	(B)
	0-28450-612-0	Q1840612	01	A	M8×16 (C)

8-15

Fixed parts for wire harness installation

Figure No.

N/S	Recommended specification / name of part				
	Isuzu figure No.	QingLing figure No.	Left/Right	Qty.	Applicable models / applicable status / notes
					Single cab
150	---- Hexagon flange bolt				
	0-28050-610-0	Q1840610		01	A (A) M6×10
	0-28050-812-0	Q1840812		01	A (B) M8×12
	0-28050-816-0	Q1840816		01	A (D) M8×16
	0-28080-814-0			01	A Bolt (C) M8×14
219	---- Hexagon flange nut				
	0-91180-108-0	Q32008		02	A Inner diameter=12 M8
294	---- Hexagon flange nut				
	0-91180-108-0	Q32008		01	A M8
304	---- Hexagon flange nut				
	0-28050-816-0	Q1840816		01	A (A) M8×16
	0-28151-016-0	Q1841016		01	A Bolt (B) M10×16 tape reel

Fixed parts for wire harness installation

8-15

Figure No.

N/S	Recommended specification / name of part				
	Isuzu figure No.	QingLing figure No.	Left/Right	Qty.	Applicable models / applicable status / notes
					A
					Single cab
313	---- Hexagon flange bolt				
	0-28450-616-0	Q1840616		01	A M6×16
377	---- Bolt				
	8-97086-822-0	3724472-44		01	A M6×14
	8-97086-825-0	Q1460820		03	A Hexagon head bolt, spring washer and plain washer subassembly (B) M8×20
386	---- Hexagon head bolt, spring washer and plain washer subassembly				
	8-97086-825-0	Q1860825		01	A (A) M8×25
	8-97087-203-0	3724333-801		01	A Combination bolt (B) M8×25
483	---- Clip				
	1-09700-848-0			01	A (B) Inner diameter=11 Height = 20 Length = 25
	1-09701-001-1			01	A (C) Inner diameter=24 Length =24
	1-09701-014-0			01	A (A) Inner diameter=14.5 Length =40
	1-09701-045-0			01	A (D) Inner diameter=19 Height = 33 Length = 45

8-15

Fixed parts for wire harness installation

Figure No.

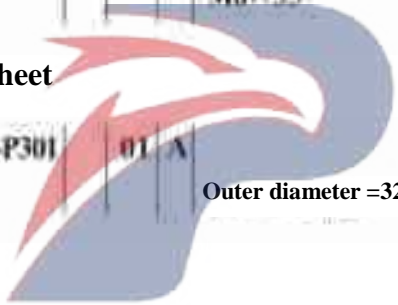
N/S	Recommended specification / name of part				
	Isuzu figure No.	QingLing figure No.	Left/Right	Qty.	Applicable models / applicable status / notes
					A
483	---- Clip				
	8-94224-891-1			01	A (E) Length=36
	8-97101-436-0			01	A (F)
	8-97329-630-0			01	A (G) Inner diameter=12
488	---- Hoop band				
	1-09987-182-0			02	A (A) Length=170.3
	5-09707-030-1	1101421-883		02	A (B) Length=250
515	---- Nut				
	0-91111-510-0			01	A Straight frame type (D) M10
	0-91180-110-0	Q32010		01	A Hexagon flange nut (C) M10
	0-91180-106-0	Q32006		01	A (A) M6
	8-98040-024-0	Q320BT13F2		01	A (B) M8

Fixed parts for wire harness installation

8-15

Figure No.

S/N	Recommended specification / name of part				
	Isuzu figure No.	QingLing figure No.	Left/Right	Qty.	Applicable models / applicable status / notes
					A
					Single cab
516	---- Screw				
	8-98063-767-0			01	A M5×7
529	---- Combination bolt				
	1-09030-094-0	5002117-P301		03	A M8×35
530	---- Sealing cover sheet				
	8-98031-126-0	3724651-P301		01	A Outer diameter =32 Black
575	---- Bracket				
	8-98054-320-1	3724661-P301		01	A
577	---- Hexagon flange bolt				
	0-91180-106-0	Q32006		04	A M6



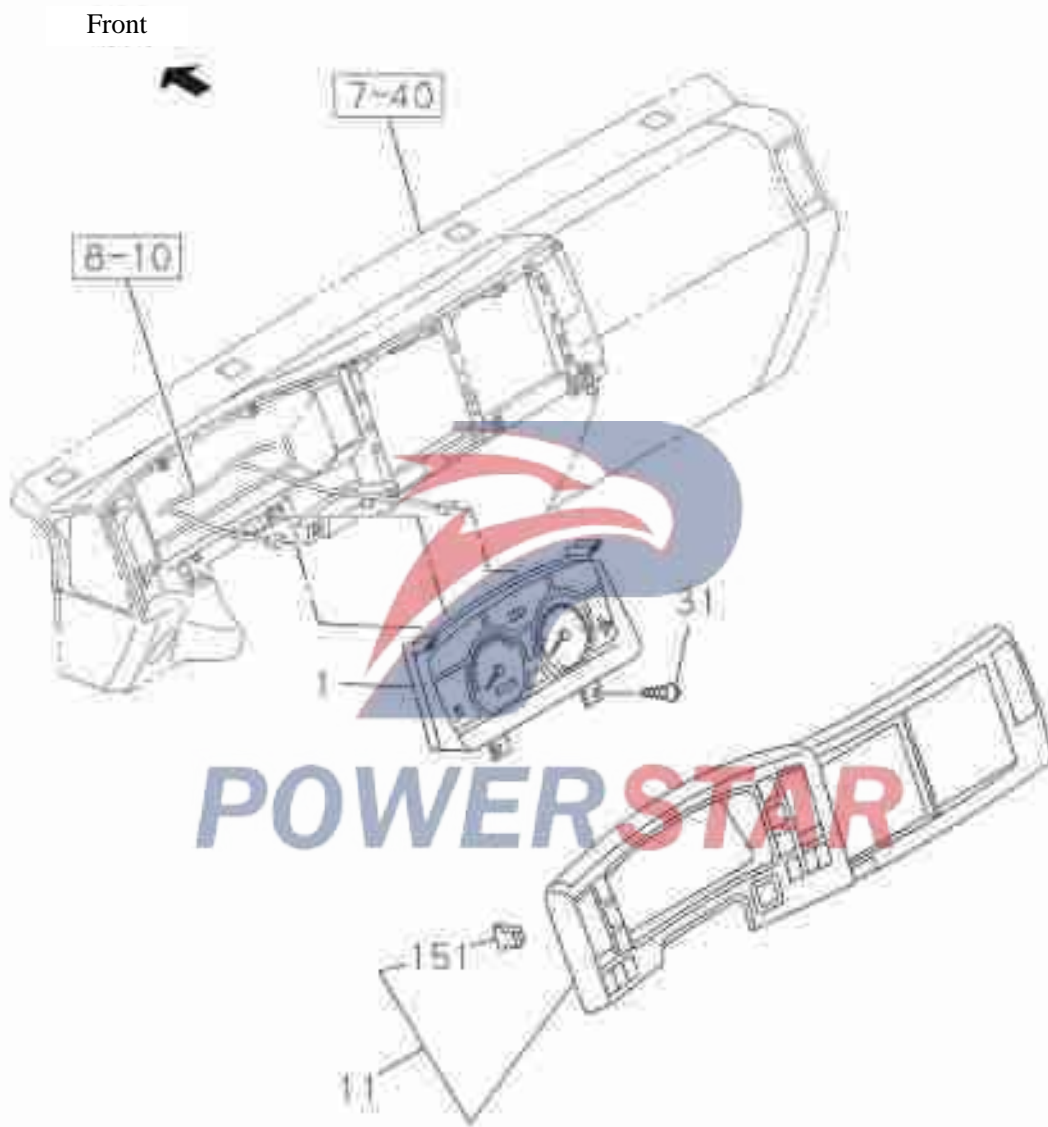
POWERSTAR

8-21

Instrument cluster

Figure No.

NO.1

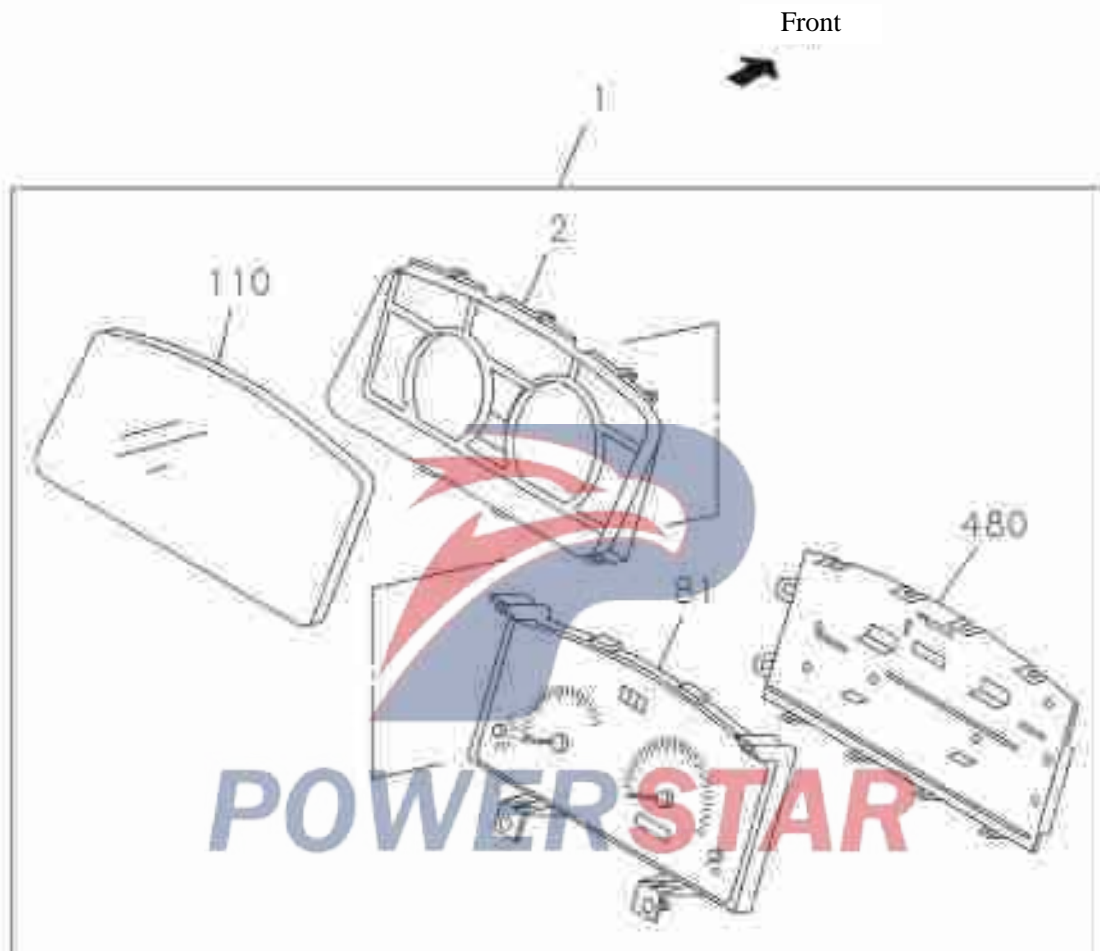


Instrument cluster

NO.2

8-21

Figure No.



8-21

Instrument cluster

Figure No.

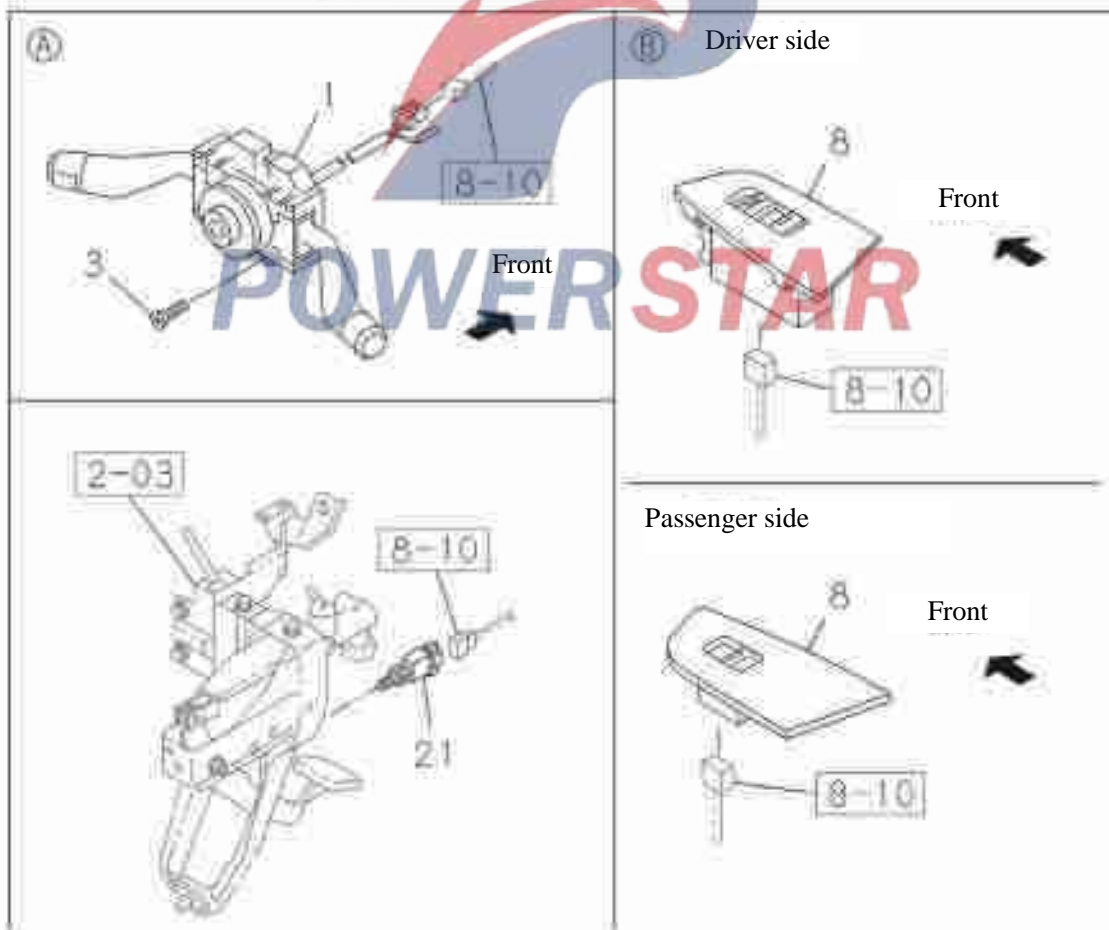
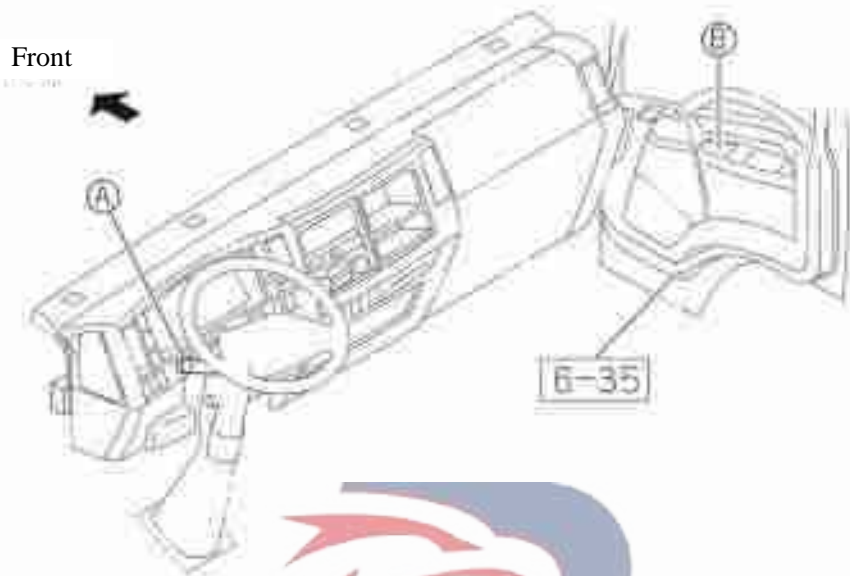
S/N	Recommended specification / name of part				
	Isuzu figure No.	QingLing figure No.	Left/Right	Qty.	Applicable models / applicable status / notes
					Single cab
1	----- Combination meter assembly				
	8-98021-249-1	3820010-P301		01	A
2	----- Instrument panel				
	8-98054-432-0			01	A
11	----- Instrument cover assembly				
	8-97406-005-3	3801460-P301		01	A
					Dark grey
31	----- Screw-ventilation tube				
	0-72180-516-0			04	A
					M5*16
81	----- Instrument cluster				
	8-98073-677-0			01	A
110	----- Glass cover				
	8-98054-431-0			01	A
151	----- Clip				
	8-98021-271-0	8200261-P301		13	A
480	----- Cover plate-instrument cluster				
	8-98054-433-0			01	A

Switches and relays

8-25

Switch (NO.1)

Figure No.



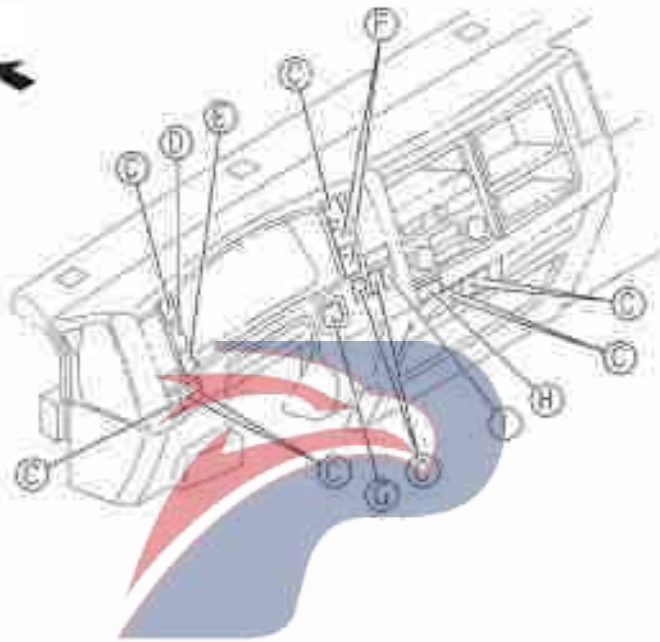
8-25

Switches and relays

Figure No.

Switch (NO.2)

Front



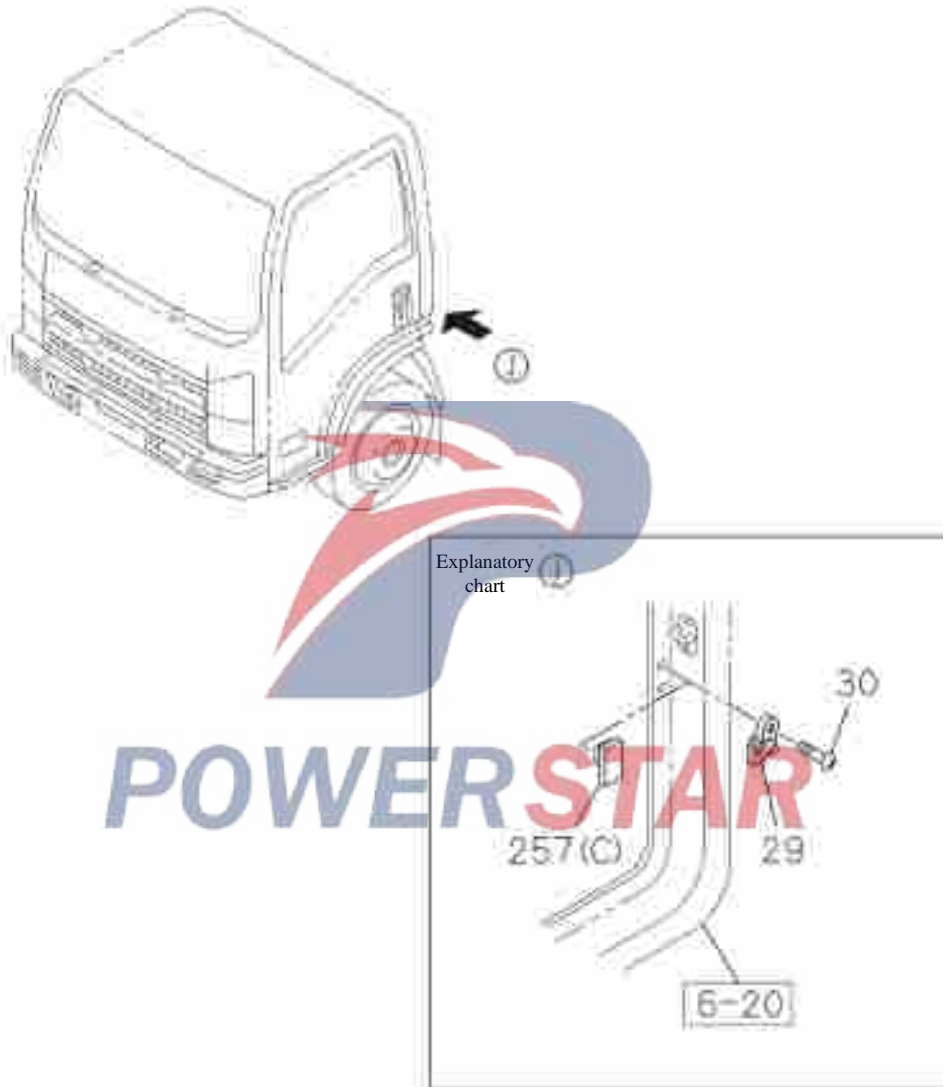
<p>© Cover 257 (A)</p>	<p>© Cover 40</p>	<p>© Fog lamp 96</p>	<p>© Cover 104</p>
<p>© Cover 8-26</p>	<p>© Switch hole 257 (B)</p>	<p>© Emergency 249</p>	<p>© Cover 8-26</p>

Switches and relays

8-25

Switch (NO.3)

Figure No.

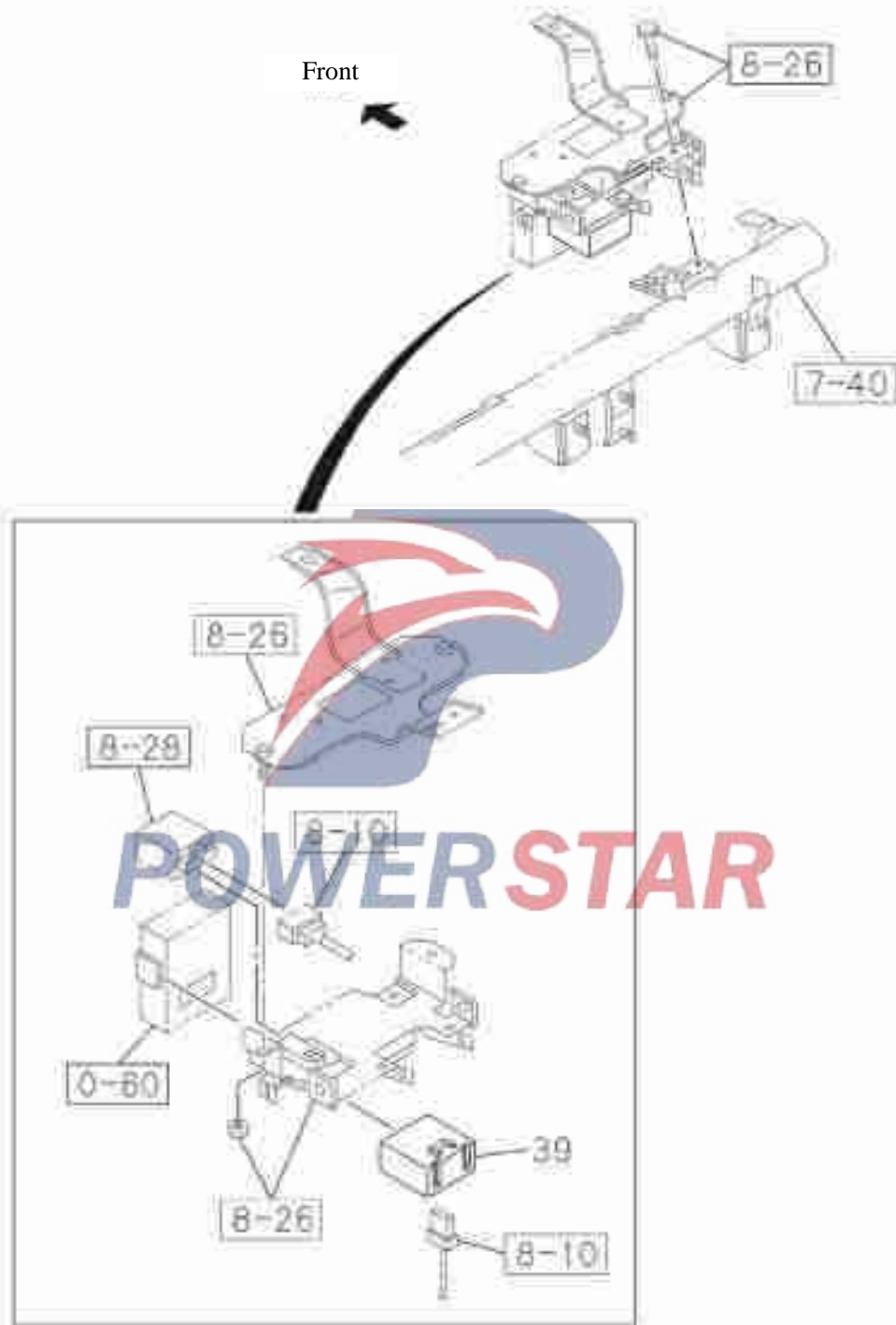


8-25

Switches and relays

Figure No.

Switch (NO.4)

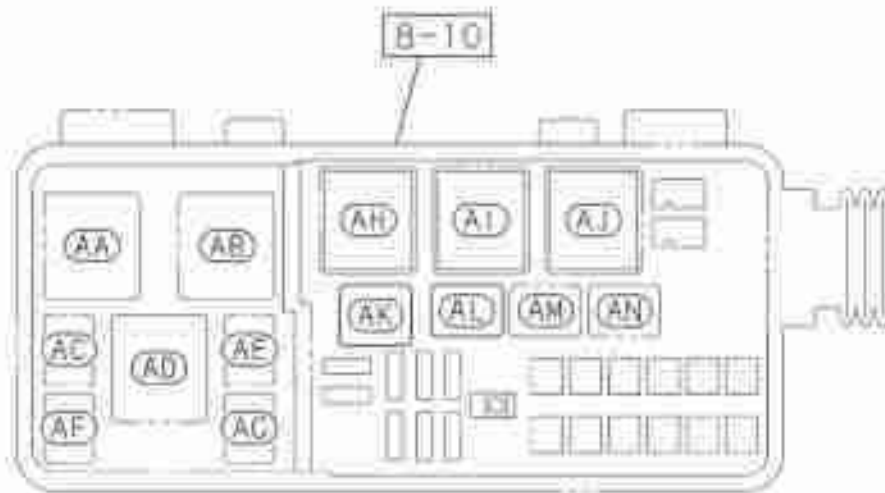


Switches and relays

8-25

Relay-chassis wire harness

Figure No.



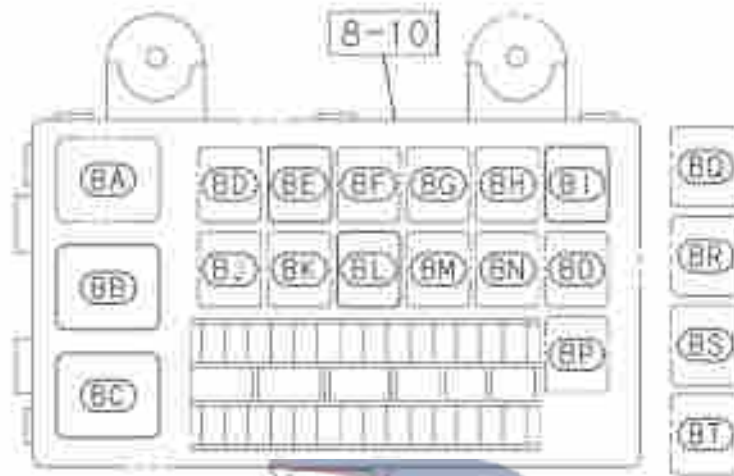
		S/N	Relay types
	(AA)		
	(AB)	8-28	Vacuum pump
	(AC)		
	(AD)		
	(AE)		
	(AF)		
	(AG)		
	(AH)	0-60	Starter
	(AI)	8-28	Main
	(AJ)	0-60	Glow plug
	(AK)	151	Heater and air conditioning
	(AL)	154	Condenser fan
	(AM)	8-28	Launcher disconnected
	(AN)	8-28	Signal lamp

8-25

Switches and relays

Figure No.

Relay-Cab wire harness



	S/N	Relay types	S/N	Relay types
(BA)	8-28	Stop light	(BJ)	
(BB)	317	Fan heater	(BK)	8-10
(BC)	610	Connect	(BL)	12
(BD)	8-10	Door lock (close)	(BM)	8-10
(BE)	98	Rear fog lamp	(BN)	
(BF)	8-10	Wiper	(BO)	8-10
(BG)	8-10	Horn	(BP)	8-10
(BH)	8-10	Wiper-high/low	(BQ)	
(BI)	99	Fog lamp	(BR)	
			(BS)	
			(BT)	

Switches and relays

8-25

Figure No.

S/N	Recommended specification / name of part				
	Isuzu figure No.	QingLing figure No.	Left/Right	Qty.	Applicable models / applicable status / notes
					Single cab
1	---- Combination switch				
	8-98073-850-0	3774010-P301		01	A
3	---- Bolt-combination switch				
	8-98061-743-0			02	A
					M5×20
8	---- Switch assembly				
	8-98001-737-2			01	A
					Only for wheelbase 4475mm luxury models
	8-98003-784-1			01	A
					Only for wheelbase 4475mm luxury models
12	---- Relay-condenser fan relay				
	8-97173-035-1			01	A
					24V 10A
21	---- Switch-clutch				
	8-97358-248-0			01	A
29	---- Front door switch assembly-B-pillar				
	8-98002-211-0			01	A
					Black
30	---- Screw				
	8-98047-201-0			01	A
					M5×18

8-25

Switches and relays

Figure No.

S/N	Recommended specification / name of part				
	Isuzu figure No.	QingLing figure No.	Left/Right	Qty.	Applicable models / applicable status / notes
					A
39	Relay-door lock				
	8-98060-789-0			01	A Remote door lock
96	Switch-fog lamp				
	8-97387-031-3			01	A
98	Relay-rear fog lamp				
	8-97173-035-1			01	A
99	Relay-fog lamp				
	8-97173-035-1			01	A 24V 10A
104	Button decorative cover				
	8-98025-954-1	8200151-P301		01	A
151	Relay-heater and air conditioning				
	8-97262-933-0			01	A 24V 12.5A
154	Relay-condenser fan relay				
	8-97173-035-1			01	A 24V 10A With diode
249	Hazard warning light switch				
	8-97386-922-1			01	A

Switches and relays

8-25

Figure No.

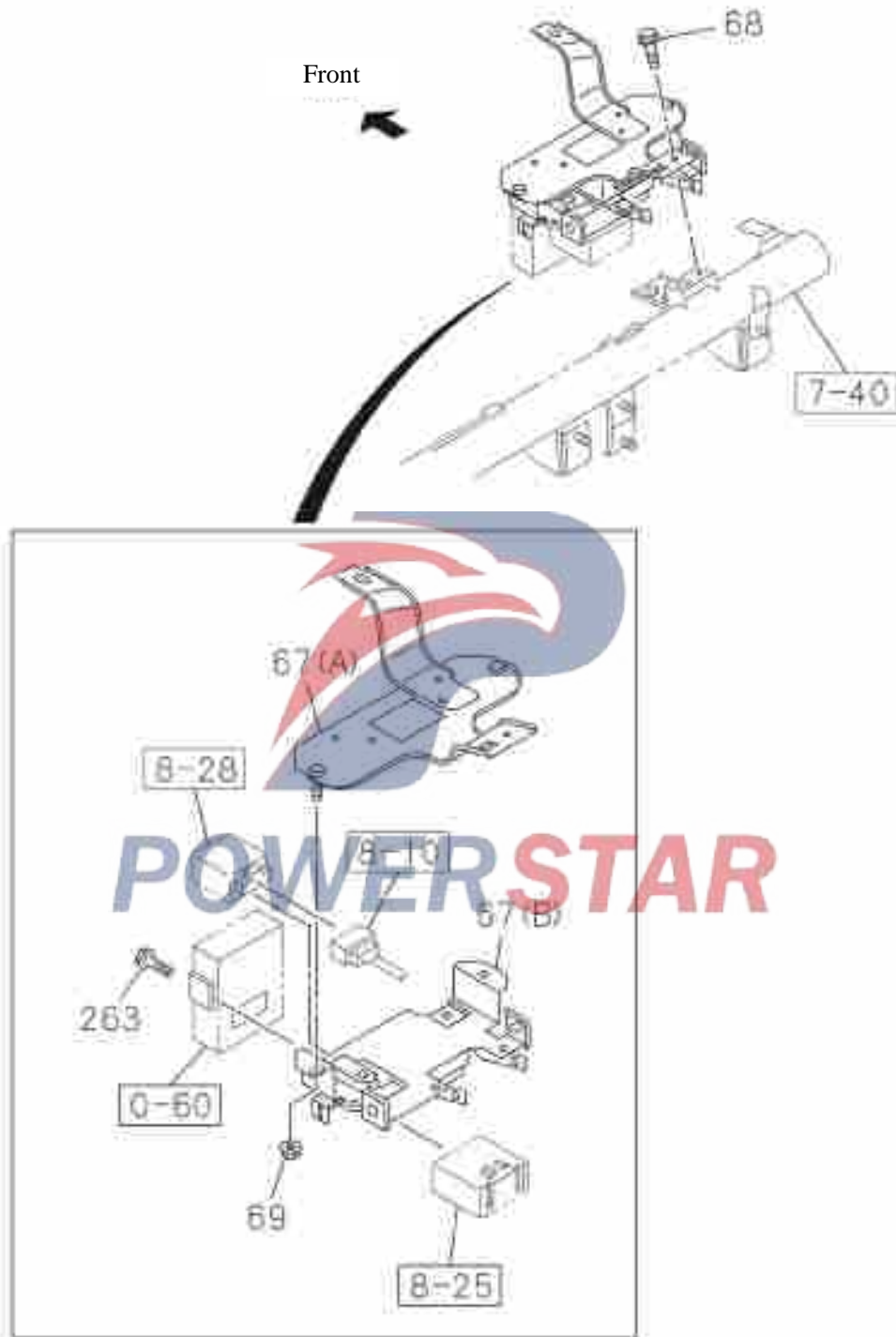
N/S	Recommended specification / name of part				
	Isuzu figure No.	QingLing figure No.	Left/Right	Qty.	Applicable models / applicable status / notes
					A
					Single cab
257	---- Button decorative cover				
	8-98025-954-1	8200151-P301		02	A (A)
	8-98025-954-1	8200151-P301		09	A (A)
	8-98029-914-1	8202117-P301		01	A (B)
	8-98029-917-0	6107431-P301		01	A (C) Hole cover-front door switch
317	---- Relay				
	8-97262-933-0			01	A 24V 12.5A
610	---- Relay-connect				
	8-97262-933-0			01	A 24V 12.5A

8-26

Electric control and other parts

Figure No.

NO.1

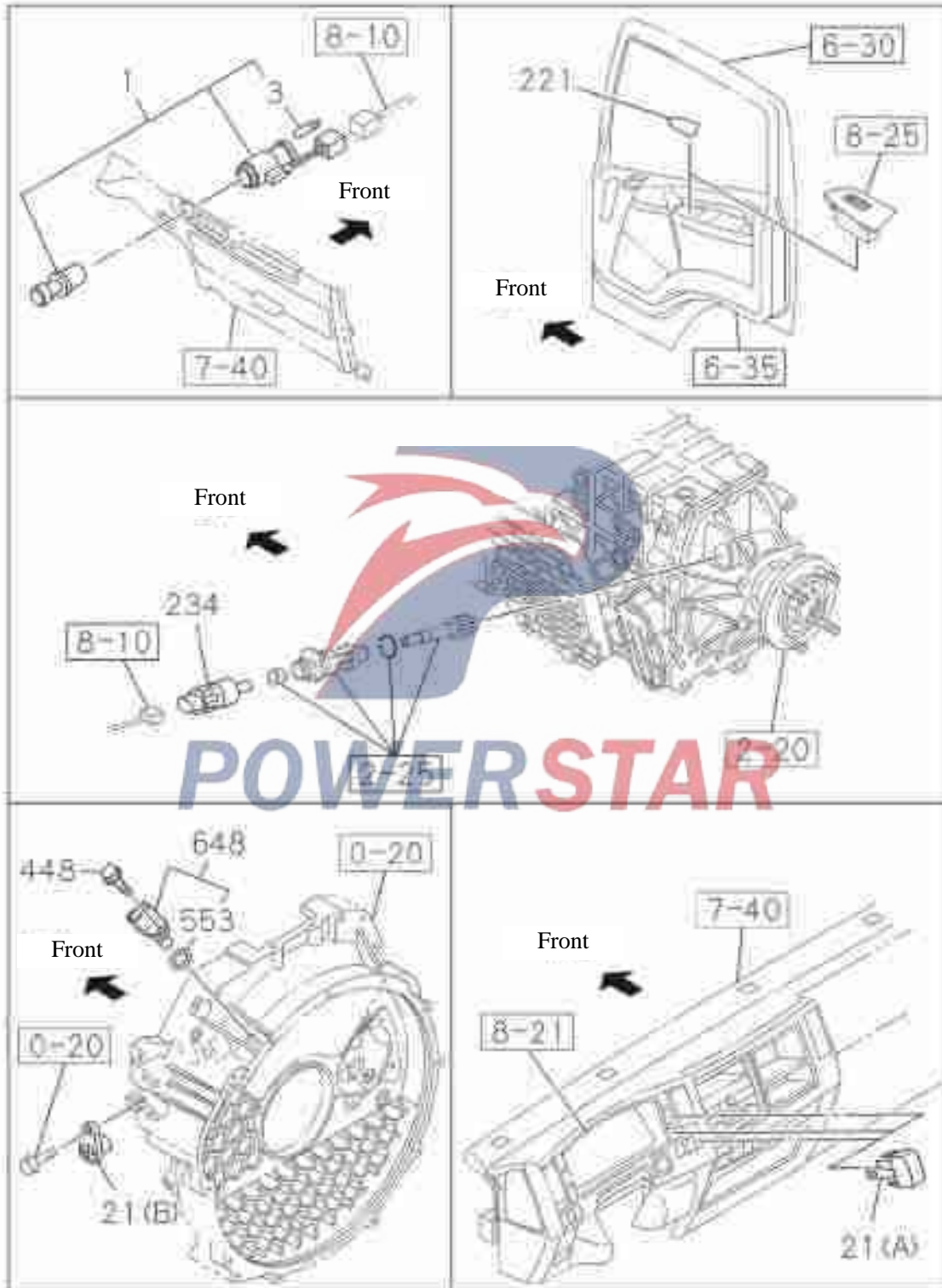


Electric control and other parts

8-26

NO.2

Figure No.



8-26

Electric control and other parts

Figure No.

S/N	Recommended specification / name of part				
	Isuzu figure No.	QingLing figure No.	Left/Right	Qty.	Applicable models / applicable status / notes
					A Single cab
1	--- Cigarette lighter assembly				
	8-97320-325-0			01	A
3	--- Diode-cigarette lighter				
	8-97173-159-0			01	A
					28V 1.8W
21	--- Cover plate				
	8-97101-974-0			01	A
					(B)
	8-98025-954-1	8200151-P301		03	A
					Button decorative cover
					(A)
67	--- Bracket				
	8-98015-039-1	3712321-P301		01	A
					(A)
	8-98022-206-1	3712311-P301		01	A
					(B)
68	--- Hexagon flange bolt				
	0-28450-612-0	Q1840612		01	A
					M6×12
69	--- Hexagon flange nut				
	0-91180-106-0	Q32006		02	A
					M6

Switches and relays

8-26

Figure No.

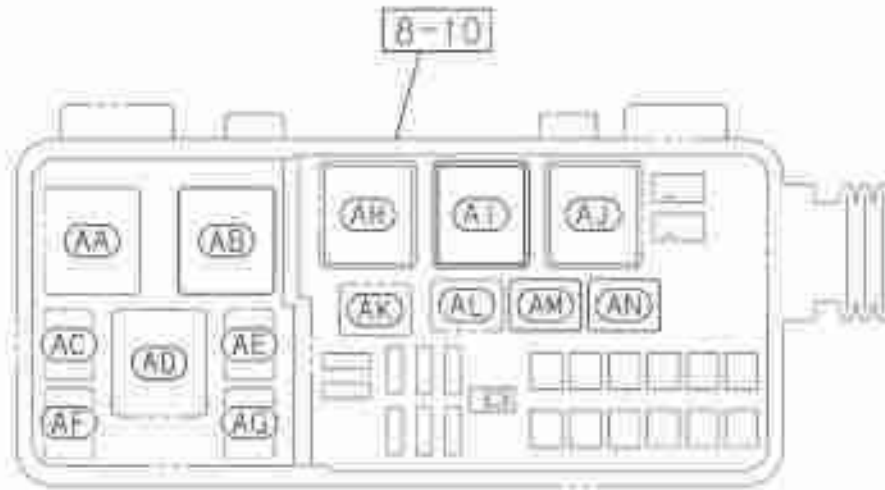
N/S	Recommended specification / name of part				
	Isuzu figure No.	QingLing figure No.	Left/Right	Qty.	Applicable models / applicable status / notes
					A Single cab
221	---- Plug cover-front window switch				
	8-98029-915-2	6107411-P301	Right	01	A
	8-98029-916-2	6107421-P301	Left	01	A
234	---- Vehicle speed sensor assembly				
	8-97328-058-0			01	A
263	---- Hexagon flange bolt				
	0-28650-616-0	Q1840616		02	A M6×16
448	---- Hexagon flange bolt				
	0-28050-616-0	Q1840616		01	A M6×16
553	---- Sealing gasket				
	8-97369-404-0			01	A
648	---- Crankshaft phase sensor				
	8-97606-943-0			01	A



8-28

Chassis wire harness

Figure No.

Relay-Cab side



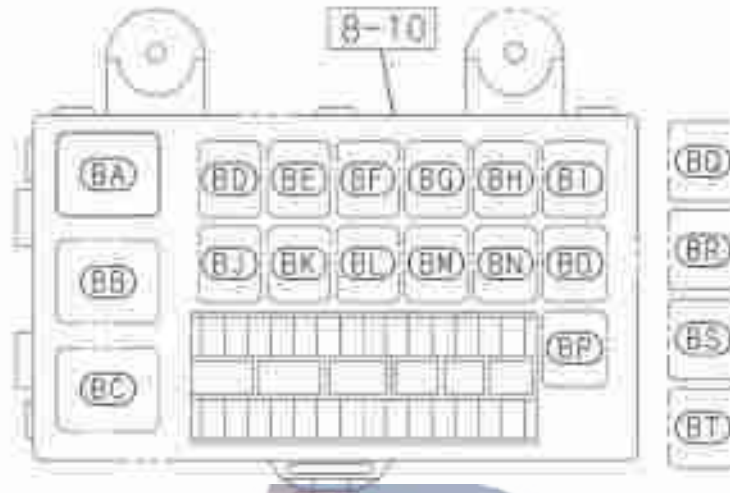
	S/N	Relay types	
	(AA)		
	(AB)	804	Vacuum pump
	(AC)		
	(AD)		
	(AE)		
	(AF)		
	(AG)		
	(AH)	0-60	Starter
	(AI)	531	Main
	(AJ)	0-60	Glow plug
	(AK)	8-25	Heater and air conditioning
	(AL)	8-25	Condenser fan
	(AM)	666	Launcher disconnected
	(AN)	333	Signal lamp

Chassis wire harness

8-28

Relay-Cab side

Figure No.



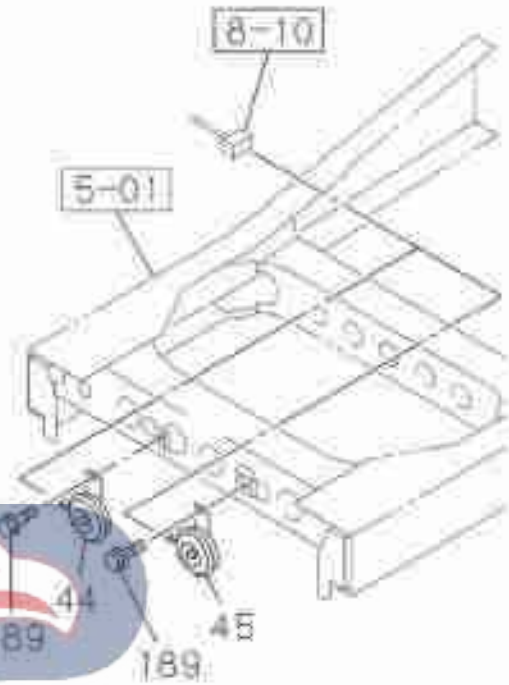
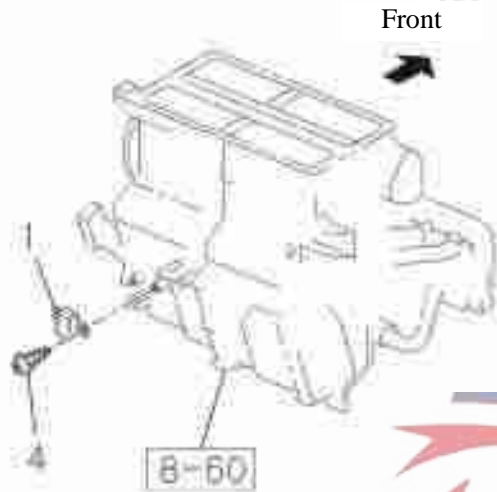
	S/N	Relay types		S/N	Relay types
(BA)	22	Stop light	(BJ)		
(BB)	8-25	Fan heater	(BK)	8-10	Door lock (open)
(BC)	8-25	connect	(BL)	8-25	Wiper motor
(BD)	8-10	Door lock (close)	(BM)	8-10	Headlamp
(BE)	8-25	Rear fog lamp	(BN)		
(BF)	8-10	Wiper	(BO)	8-10	Headlamp high beam
(BG)	8-10	Horn	(BP)	8-10	Taillight
(BH)	8-10	Wiper-high/low	(BQ)		
(BI)	8-25	Fog lamp	(BR)		
			(BS)		
			(BT)		

8-28

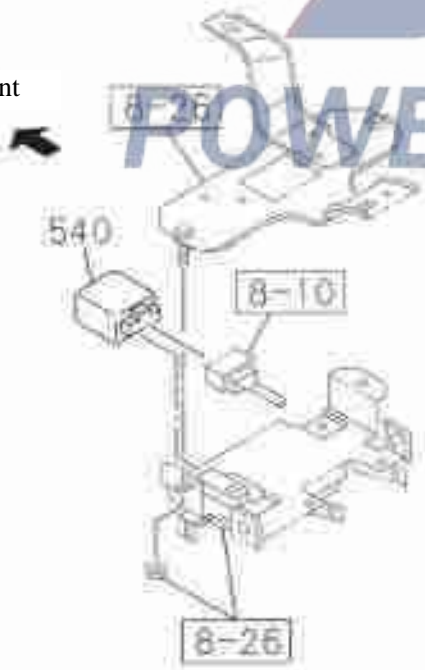
Chassis wire harness

Figure No.

Others



Front



Front



Chassis wire harness

8-28

Figure No.

S/N	Recommended specification / name of part				
	Isuzu figure No.	QingLing figure No.	Left/Right	Qty.	Applicable models / applicable status / notes
					A Single cab
1	Flash relay				
	8-98025-533-1			01	A
4	Screw				
	8-94436-927-0			01	A M5×20
22	Relay-brake light				
	8-97262-933-0			01	A 24V 12.5A With diode
44	Tweeter				
	8-98070-080-0			01	A
45	Woofers				
	8-98000-023-0			01	A
189	Hexagon head bolt, spring washer and plain washer subassembly				
	8-97086-825-0	Q1460820		02	A M8×20
333	Relay-signal light				
	8-97173-035-1			01	A 24V 10A With diode
504	Relay-vacuum pump				
	8-97173-947-0			01	A 24V 50A

8-28

Chassis wire harness

Figure No.

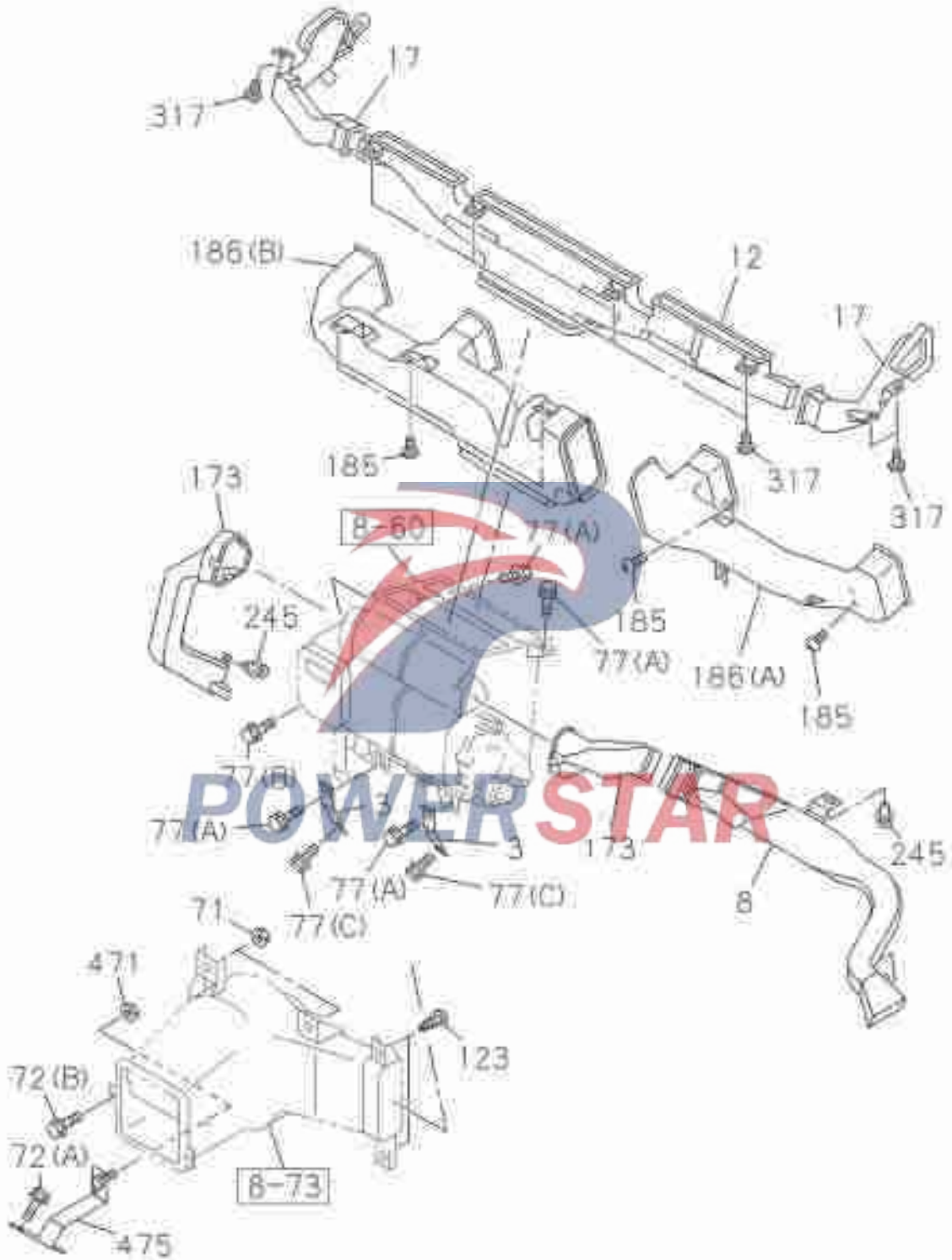
S/N	Recommended specification / name of part				
	Isuzu figure No.	QingLing figure No.	Left/Right	Qty.	Applicable models / applicable status / notes
					Single cab
531	Relay-ECM				
	8-97238-540-0			01 A	24V/30A
540	Relay assembly-interval				
	8-98060-388-0			01 A	
584	Sensor-pressure				
	8-98020-514-0			01 A	
666	Sensor-starter				
	8-97173-035-1			01 A	24V/10A With diode
744	Hexagon flange nut				
	0-91180-106-0	Q32006		02 A	M6

Warm air system

8-40

NO.1

Figure No.



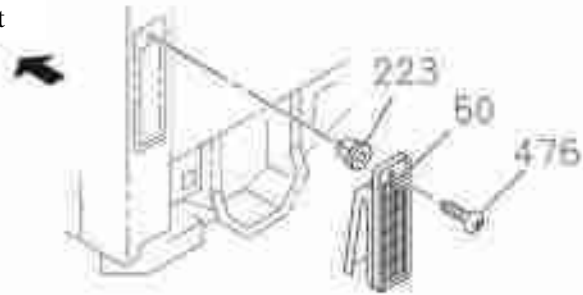
8-40

Warm air system

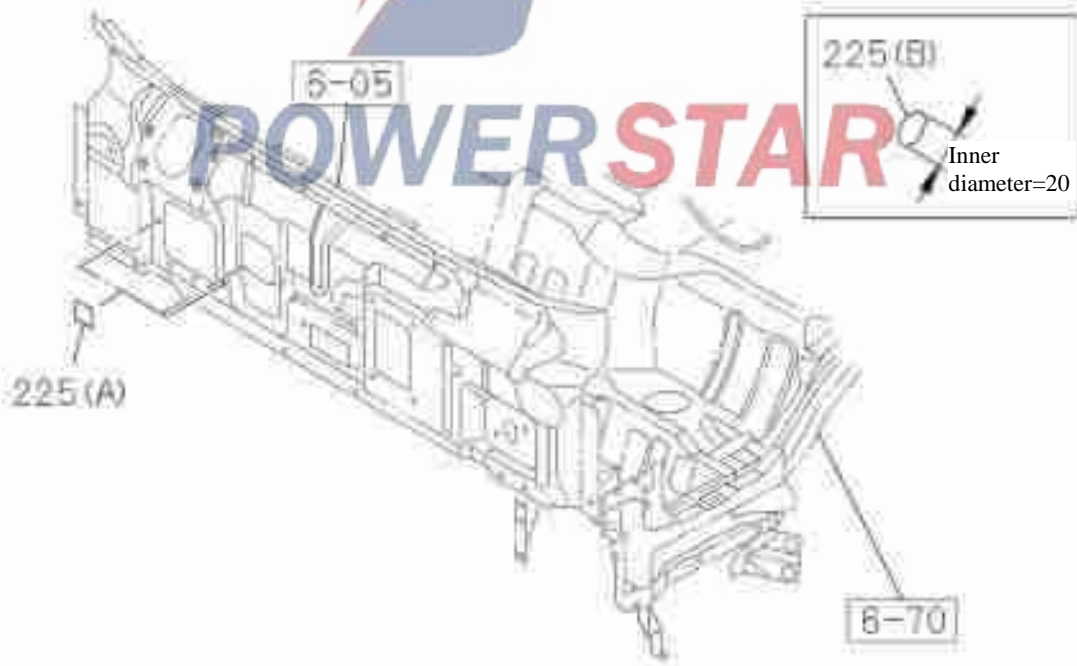
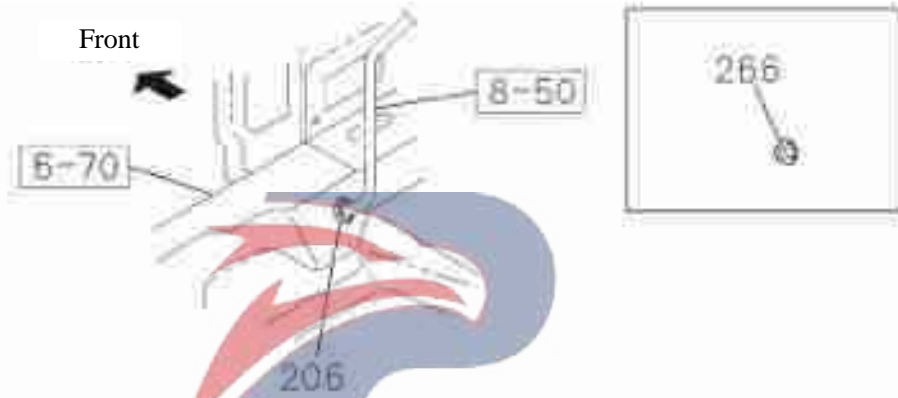
Figure No.

NO.2

Front



Front



Warm air system

8-40

Figure No.

N/S	Recommended specification / name of part				
	Isuzu figure No.	QingLing figure No.	Left/Right	Qty.	Applicable models / applicable status / notes
					Single cab
3	---- Bracket				
	8-98082-473-0	8101311-P301		02	A
8	---- Ventilation tube assembly				
	8-97585-498-4	8101371-P301		01	A
12	---- Defrosting pipe				
	8-98040-490-3	8101451-P301		01	A
17	---- Defrosting pipe				
	8-98040-497-0	8101461-P301	Left	01	A
	8-98040-498-4	8101471-P301	Right	01	A
50	---- Air outlet assembly-air filter				
	8-98080-998-0	8101510-P301		01	A
71	---- Hexagon flange bolt				
	0-91180-106-0	Q32006		02	A M6
72	---- Hexagon flange bolt				
	8-97359-709-0			01	A (A) M8×20
	8-98081-030-0	3711312-P301		02	A Combination bolt (B) M6×20

8-40

Warm air system

Figure No.

S/N	Recommended specification / name of part				
	Isuzu figure No.	QingLing figure No.	Left/Right	Qty.	Applicable models / applicable status / notes
					A Single cab
77	---- Hexagon flange bolt				
	0-28650-616-0	Q1840616		04	A (A) M6×16
	8-98081-030-0	3711312-P301		01	A Combination bolt (B) M6×20
	8-98081-175-0	8101312-P301		02	A (C) M6×20
123	---- Screw-ventilation tube				
	0-72180-516-0			02	A M5×16
173	---- Air vent tube assembly				
	8-97585-494-3	8101390-P301	Left	01	A
	8-97585-505-3	8101380-P301	Right	01	A
185	---- Screw-ventilation tube				
	0-72180-516-0			05	A M5×16
186	---- Air vent tube assembly				
	8-98042-889-4	8101350-P301	Left	01	A (A)
	8-98042-900-4	8101360-P301	Right	01	A (B)

Warm air system

8-40

Figure No.

S/N	Recommended specification / name of part				
	Isuzu figure No.	QingLing figure No.	Left/Right	Qty.	Applicable models / applicable status / notes
					Single cab
206	Blockage				
	8-98019-649-0			01	A
223	Screw base-chassis and body harness joint				
	8-94441-539-0	3724543-44		01	A
	Diameter=7.9×7.9 Length = 20 M5				
225	Water seal-heating device				
	8-97856-616-0	3510231-P301		03	A
					(A)
	5-76777-036-0			01	A
					(B)
	Outer diameter=20 Thickness =0.05 Black				
245	Fastening nail				
	8-98056-059-0			03	A
266	Blockage				
	8-97037-392-0			01	A
317	Screw-ventilation tube				
	0-72180-516-0			07	A
	M5×16				
471	Hexagon flange bolt				
	0-91180-106-0	Q32006		01	A
	M6				
475	Bracket-blower				
	8-98005-980-0	8101321-P301		01	A

8-40

Warm air system

Figure No.

N/S	Recommended specification / name of part				
	Isuzu figure No.	QingLing figure No.	Left/Right	Qty.	Applicable models / applicable status / notes
476	---	Screw			Single cab
	8-98062-675-0			01 A	M5×16

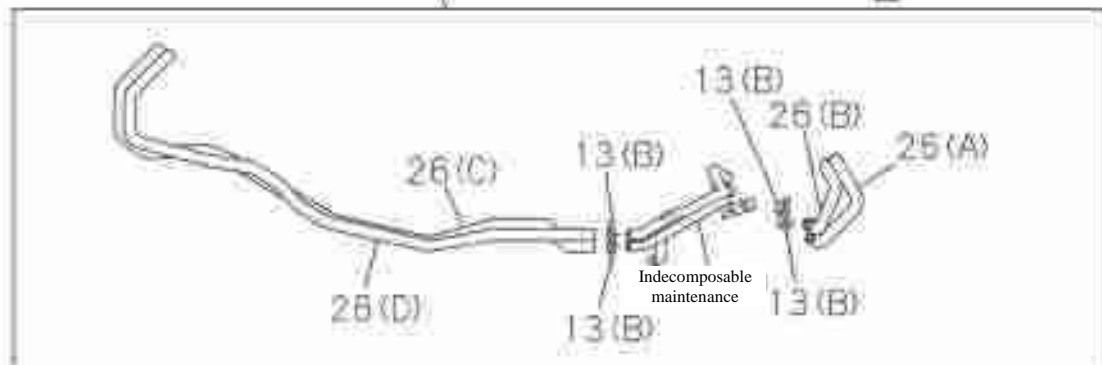
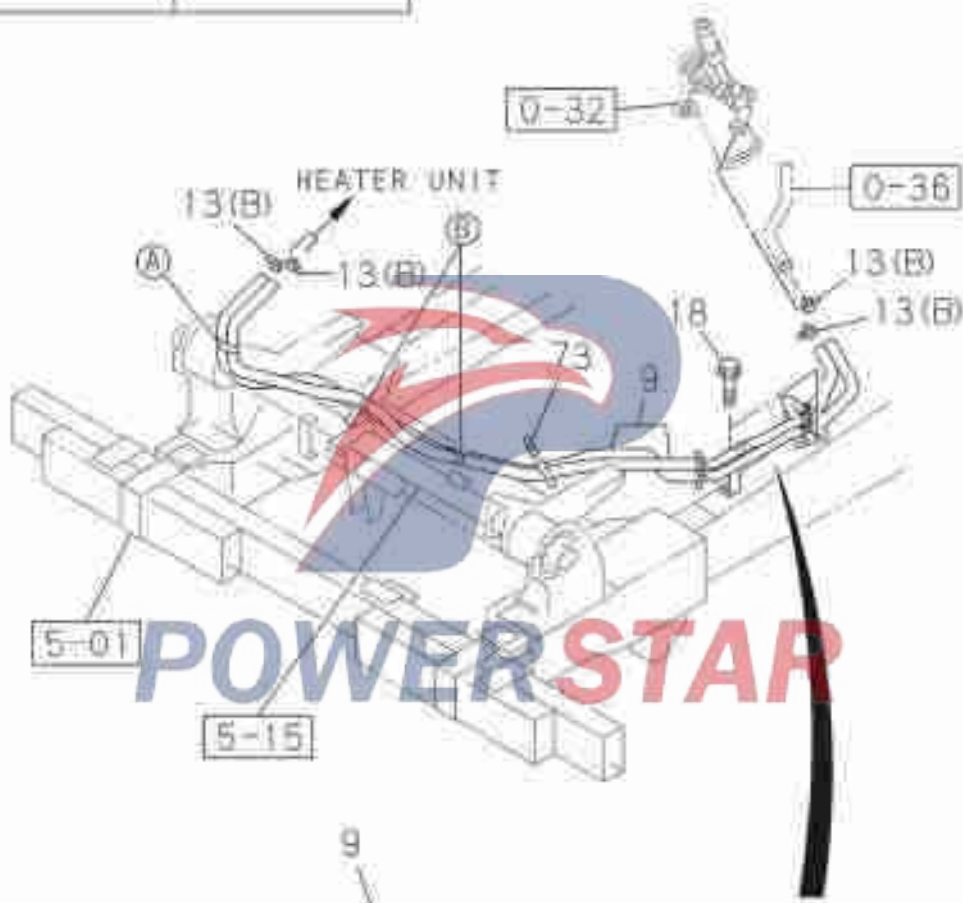
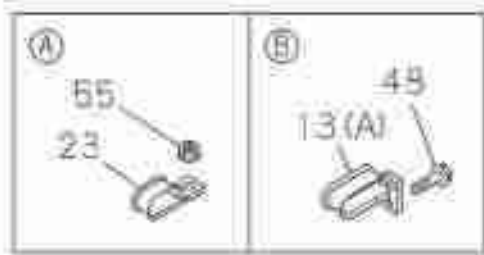


POWERSTAR

Warm water pipes

8-45

Figure No.



8-45

Warm water pipes

Figure No.

N/S	Recommended specification / name of part				
	Isuzu figure No.	QingLing figure No.	Left/Right	Qty.	Applicable models / applicable status / notes
					Single cab
9	---- Heating pipe assembly				
	8-98006-433-0	8101210-P301		01	A
13	---- Clip				
	8-98032-129-0			02	A
					(A)
	8-97359-141-0			04	A
					Spring pipe clamp
					(B)
					Inner diameter=21.7
18	---- Hexagon flange bolt				
	0-28650-825-0	Q1840825		02	A
					M8×25
23	---- Clip				
	8-97359-144-0			01	A
26	---- Hose				
	8-98050-295-0			01	A
					(A)
	8-98050-296-0			01	A
					(B)
	8-98059-457-0			01	A
					(C)
	8-98059-458-0			01	A
					(D)

Warm water pipes

8-45

Figure No.

N/S	Recommended specification / name of part				
	Isuzu figure No.	QingLing figure No.	Left/Right	Qty.	Applicable models / applicable status / notes
					A
					Single cab
48	Hexagon flange bolt				
	0-28050-612-0	Q1840612		02	A M6×12
55	Hexagon flange nut				
	0-91180-106-0	Q32006		01	A M6
73	Hoop band				
	S-09707-030-1	1101421-803		01	A Length=250

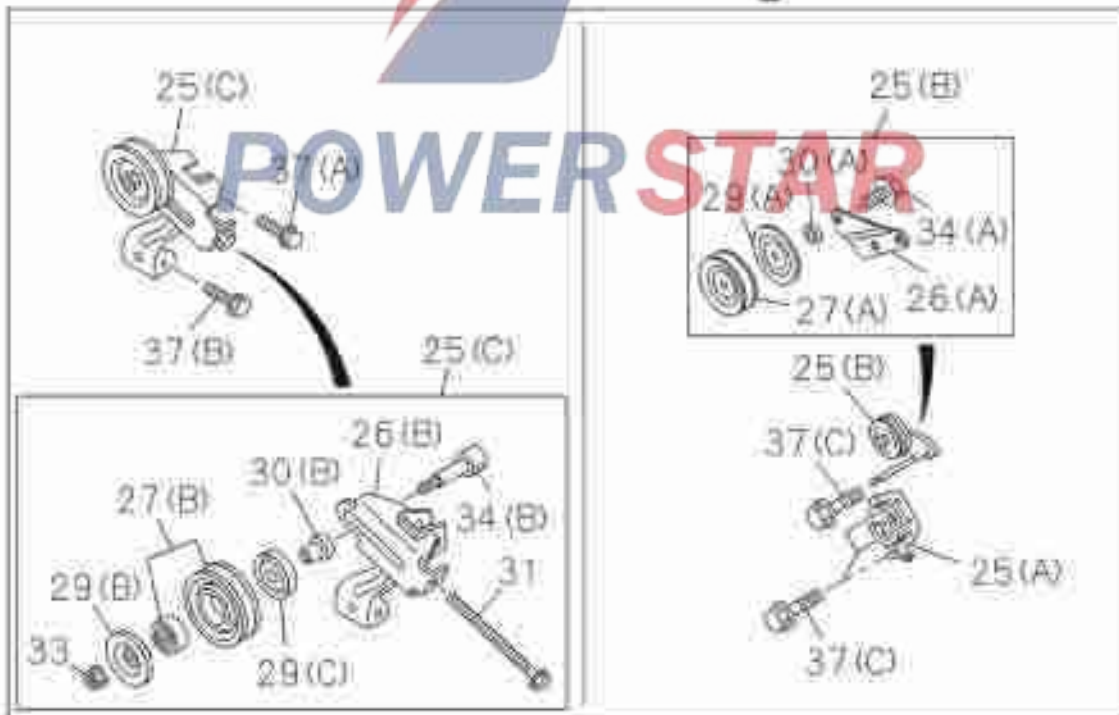
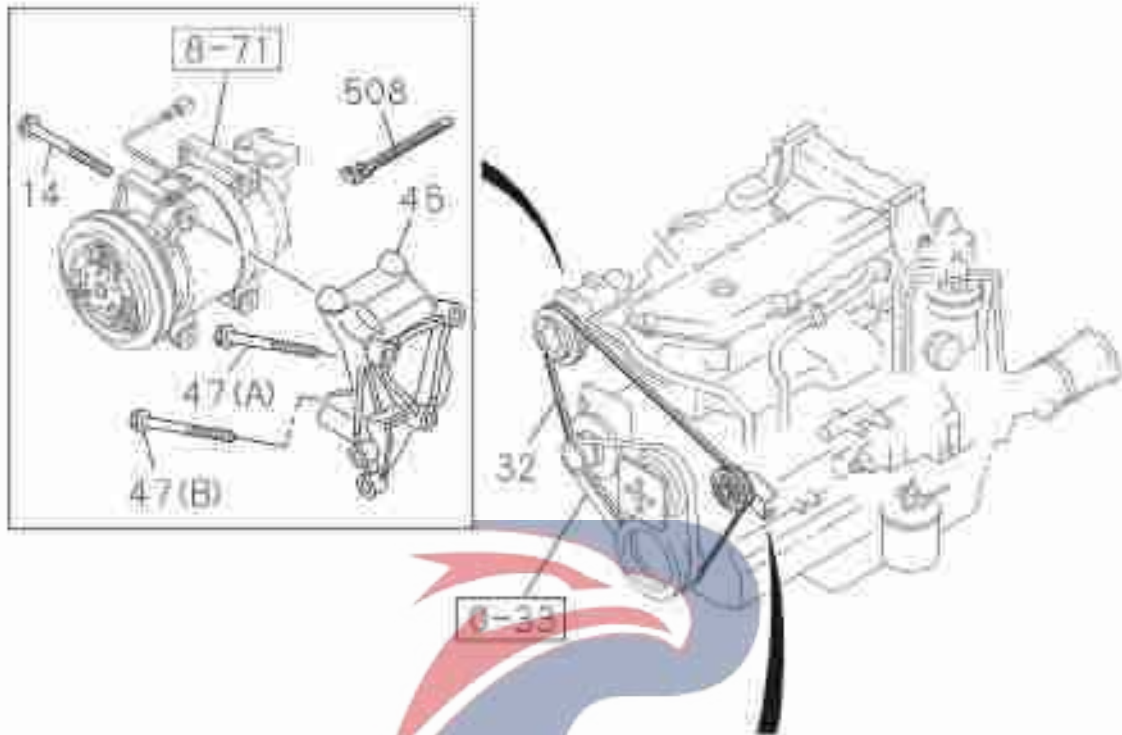
POWERSTAR

8-50

Air conditioning system-front section

Figure No.

NO.1

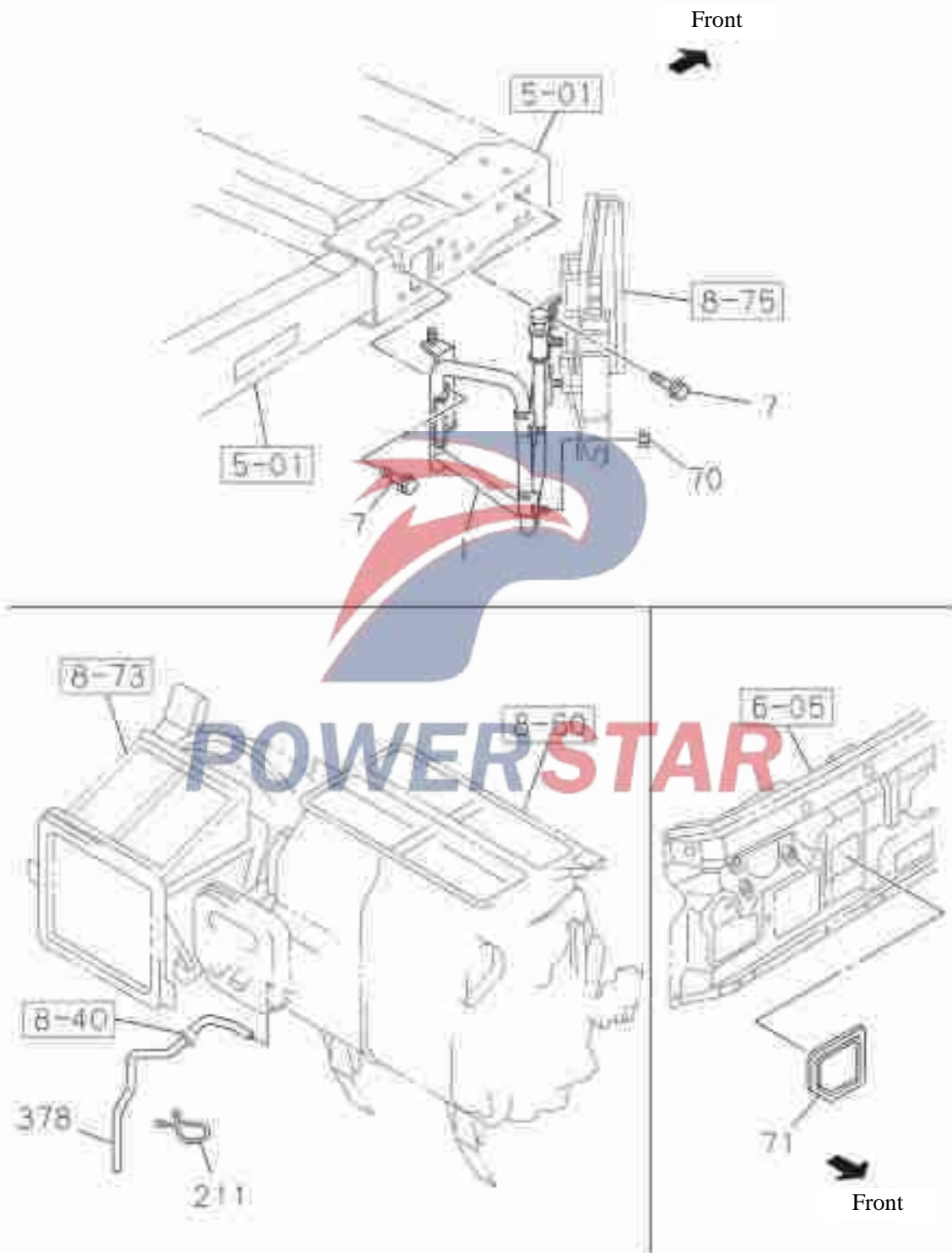


Air conditioning system-front section

NO.2

8-50

Figure No.



8-50

Air conditioning system-front section

Figure No.

N/S	Recommended specification / name of part				
	Isuzu figure No.	QingLing figure No.	Left/Right	Qty.	Applicable models / applicable status / notes
					Single cab
1	---- Bracket-A/C condenser				
	8-98006-339-0	8100561-P301		01	A
7	----Hexagon flange nut				
	0-28651-230-0	Q1841230		04	A
					M12×30
14	----Hexagon flange bolt				
	0-28050-890-0	Q1840890		04	A
					M18×90
25	---- Tensioner assembly				
	8-94344-696-2	8100210-P301		01	A
					(A) 1 groove
	8-94334-873-0	8100220-P301		01	A
					Idle gear assembly (B) 1 groove
	8-97161-198-1	8100120-P301		01	A
					(C) 1 groove
26	---- Bracket				
	8-97060-362-0			01	A
					(A) Idle gear
	8-97161-031-1			01	A
					(B) Tensioner

Air conditioning system-front

8-50

Figure No.

S/N	Recommended specification / name of part				
	Isuzu figure No.	QingLing figure No.	Left/Right	Qty.	Applicable models / applicable status / notes
					Single cab
27	---- Pulley				
	8-97386-869-0			01 A	(B) Tensioner
	9-13663-606-0			01 A	(A) Idle gear
29	---- Dust cover				
	8-97384-114-0			01 A	(B) Tensioner
	8-97384-115-0			01 A	(A) Idle gear
	9-13669-603-0			02 A	(A) Idle gear
30	---- Bushing				
	8-94207-192-0			01 A	(A) Tensioner
	8-97384-117-0			01 A	(B) Idle gear
31	---- Adjusting bolt-tensioner				
	8-97384-113-0			01 A	
32	---- Belt-air-conditioning compressor				
	8-98010-841-0	8100110-P301		01 A	Length=1674

8-50

Air conditioning system-front section

Figure No.

S/N	Recommended specification / name of part				
	Isuzu figure No.	QingLing figure No.	Left/Right	Qty.	Applicable models / applicable status / notes
					A Single cab
33	---- Nut-tensioner				
	8-97384-118-0			01	A
34	---- Axle				
	0-28121-030-0			01	A (A) Idle gear M10×30
	8-97384-116-0			01	A (B) Tensioner
37	---- Hexagon flange bolt				
	0-28050-816-0	Q1840816		05	A (C) M8×16
	0-28050-850-0	Q1840850		01	A (A) M8×50
	0-28151-000-0	Q18410100		01	A (B) M10×100
	0-28151-060-0	Q1841060		02	A (B) M10×60
46	---- Bracket assembly-air-conditioning compressor				
	8-98006-515-3	8100320-P301		01	A
47	---- Hexagon flange bolt				
	0-28151-090-0	Q1841090		02	A (A) M10×90
	0-28156-012-0	Q18410120		01	A (B) M10×120

Air conditioning system-front section

8-50

Figure No.

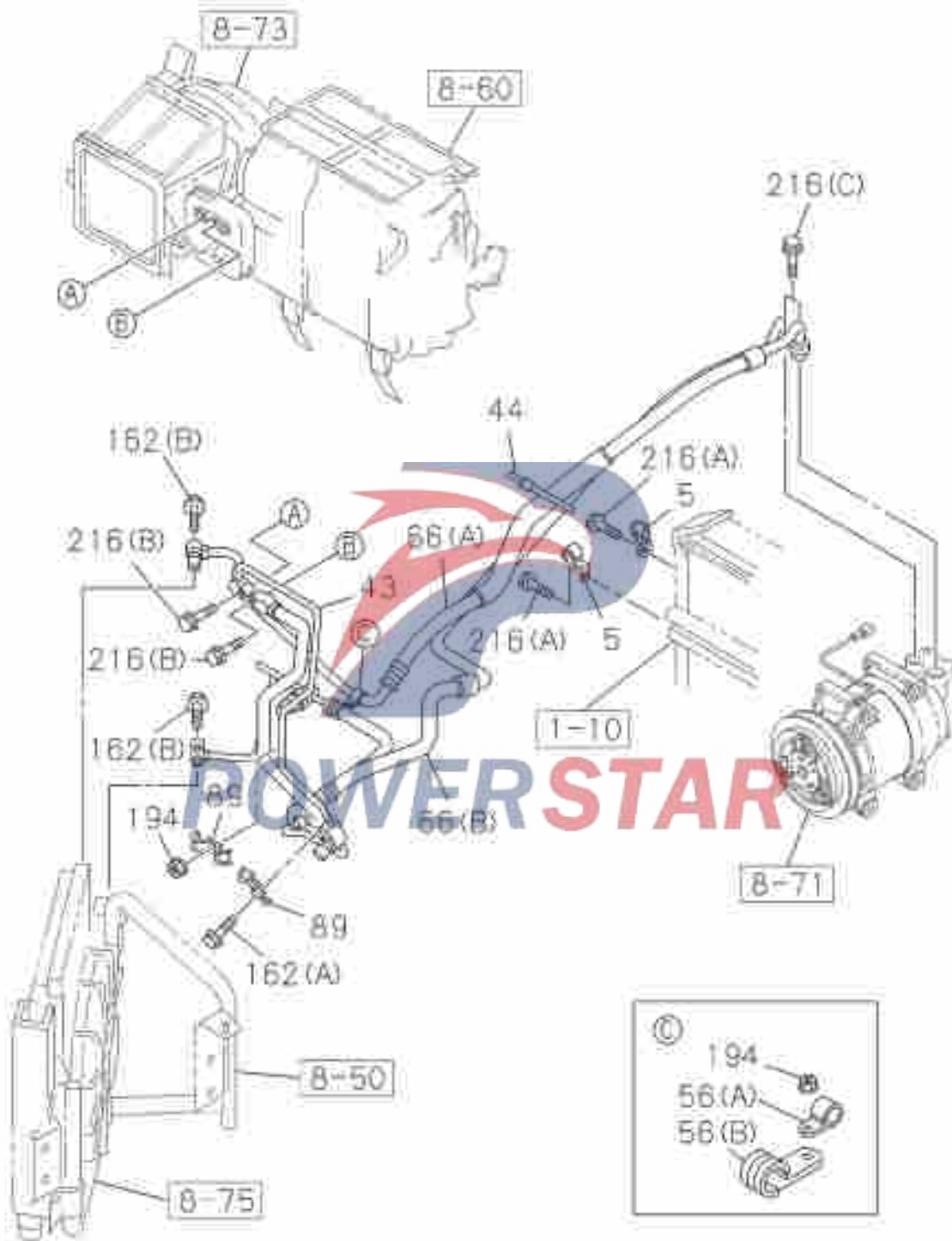
S/N	Recommended specification / name of part				
	Isuzu figure No.	QingLing figure No.	Left/Right	Qty.	Applicable models / applicable status / notes
					A
					Single cab
70	Hexagon flange nut				
	0-91180-108-0	Q32008		04	A MB
71	Hole cover-evaporator				
	8-98017-235-0			01	A
211	Hoop band				
	8-94463-508-0	8100331-P301		01	A
378	Hose assembly				
	8-98006-239-3	8101330-P301		01	A
508	Front wiring harness to turnover rod				
	1-09987-182-0	3724568-803		01	A Length=170.3

8-52

Air conditioning system pipeline

Figure No.

Tube

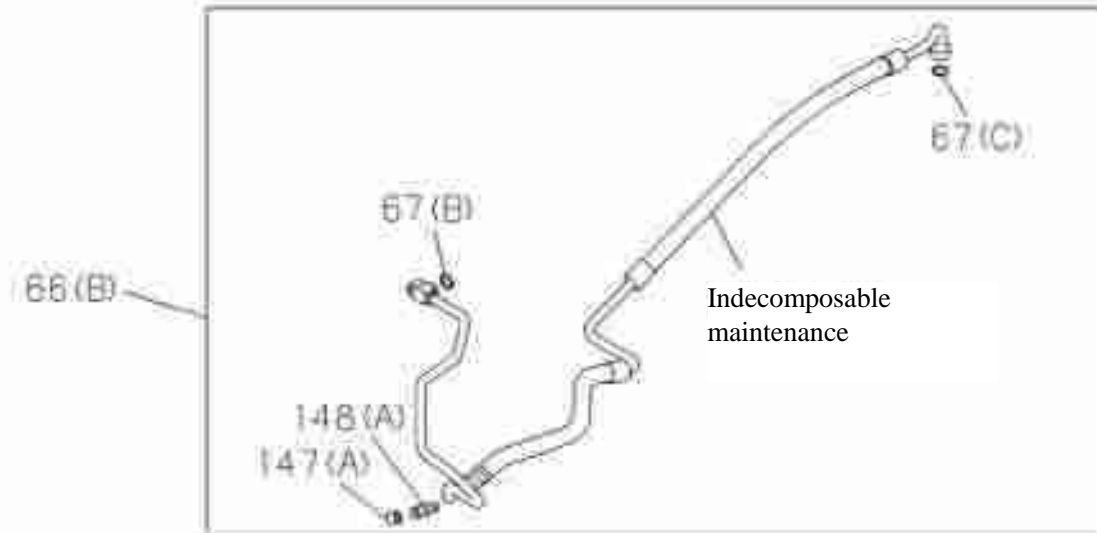
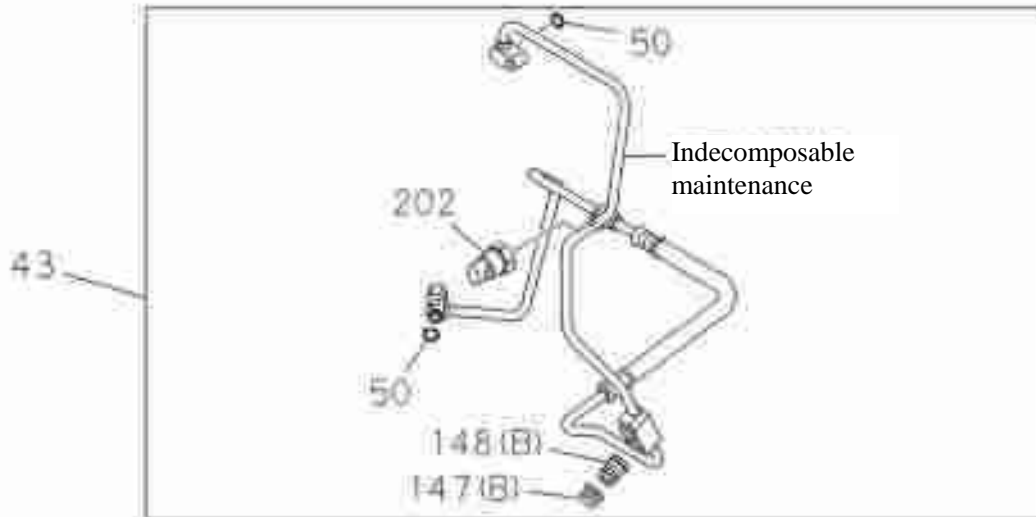


Air conditioning system pipeline

8-52

Other parts

Figure No.



8-52

Air conditioning system pipeline

Figure No.

S/N	Recommended specification / name of part				Applicable models / applicable status / notes
	Isuzu figure No.	QingLing figure No.	Left/Right	Qty.	
5	---- Clip-two-way joint to left longitudinal beam				
	0-95207-315-0	3724555-803		02	A Inner diameter=16 Height = 24 Length = 20
43	---- L tube assembly - condenser to evaporator				
	8-98006-105-2	8100570-P301		01	A
44	---- Hoop band				
	5-09707-030-1	1101421-803		01	A Length=250
	8-94152-256-1	8100531-P301		01	A Length=250
50	---- O-ring-L tube				
	1-83539-316-0			02	A Inner diameter=7.5
56	---- Clip-condenser tube				
	0-95235-232-0	8100821-P301		01	A (A) Inner diameter=13
	8-98032-641-0	8100551-P301		01	A (B)
66	---- D tube assembly-compressor to condenser				
	8-98006-103-1	8100520-P301		01	A (A)
	8-98006-104-3	8100510-P301		01	A S tube assembly-evaporator to compressor (B)

Air conditioning system pipeline

8-52

Figure No.

N/S	Recommended specification / name of part				
	Isuzu figure No.	QingLing figure No.	Left/Right	Qty.	Applicable models / applicable status / notes
					Single cab
67	----O-ring				
	8-97095-907-0			02	A (A) D tube Inner diameter=11.7
	8-97095-908-0			01	A (B) S tube Inner diameter=14.5
	8-98036-895-0			01	A (C) S tube Inner diameter=17.6
89	----Bracket-compressor hose				
	8-98029-613-0	8100541-P301		02	A
147	----Cap				
	1-83539-331-0			01	A (A) L tube
	8-97095-911-0			01	A (B) S tube
148	----Valve-hose				
	8-97095-909-0			01	A (A)
	8-98031-629-0			01	A (B)
162	----Hexagon flange bolt				
	0-28650-620-0	Q1840620		01	A (A) M6×20
	0-28650-625-0	Q1840625		02	A (B) M6×25

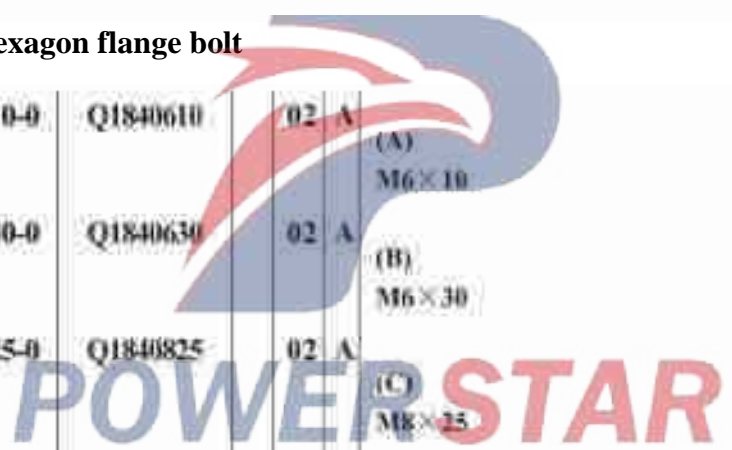
8-52

Air conditioning system pipeline

Figure No.

Tube

S/N	Recommended specification / name of part				
	Isuzu figure No.	QingLing figure No.	Left/Right	Qty.	Applicable models / applicable status / notes
					Single cab
194	---- Hexagon flange nut				
	0-91180-106-0	Q32006		02	A M6
202	---- Pressure Switch				
	1-83564-392-1			01	A
216	---- Hexagon flange bolt				
	0-28050-610-0	Q1840610		02	A (A) M6×10
	0-28650-630-0	Q1840630		02	A (B) M6×30
	0-28650-825-0	Q1840825		02	A (C) M6×25

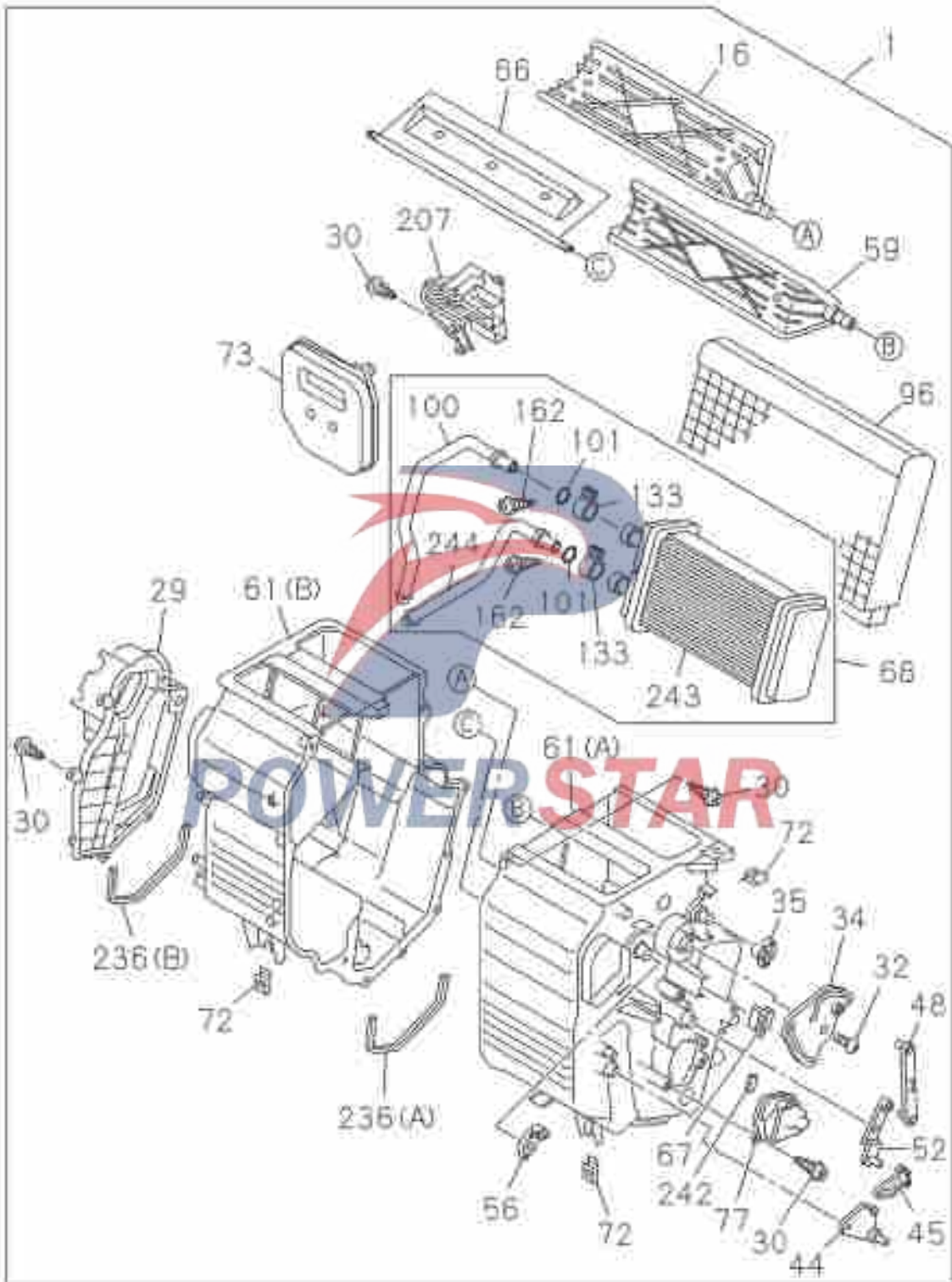


Front warm air blower assembly

8-60

Heater and defrosting

Figure No.

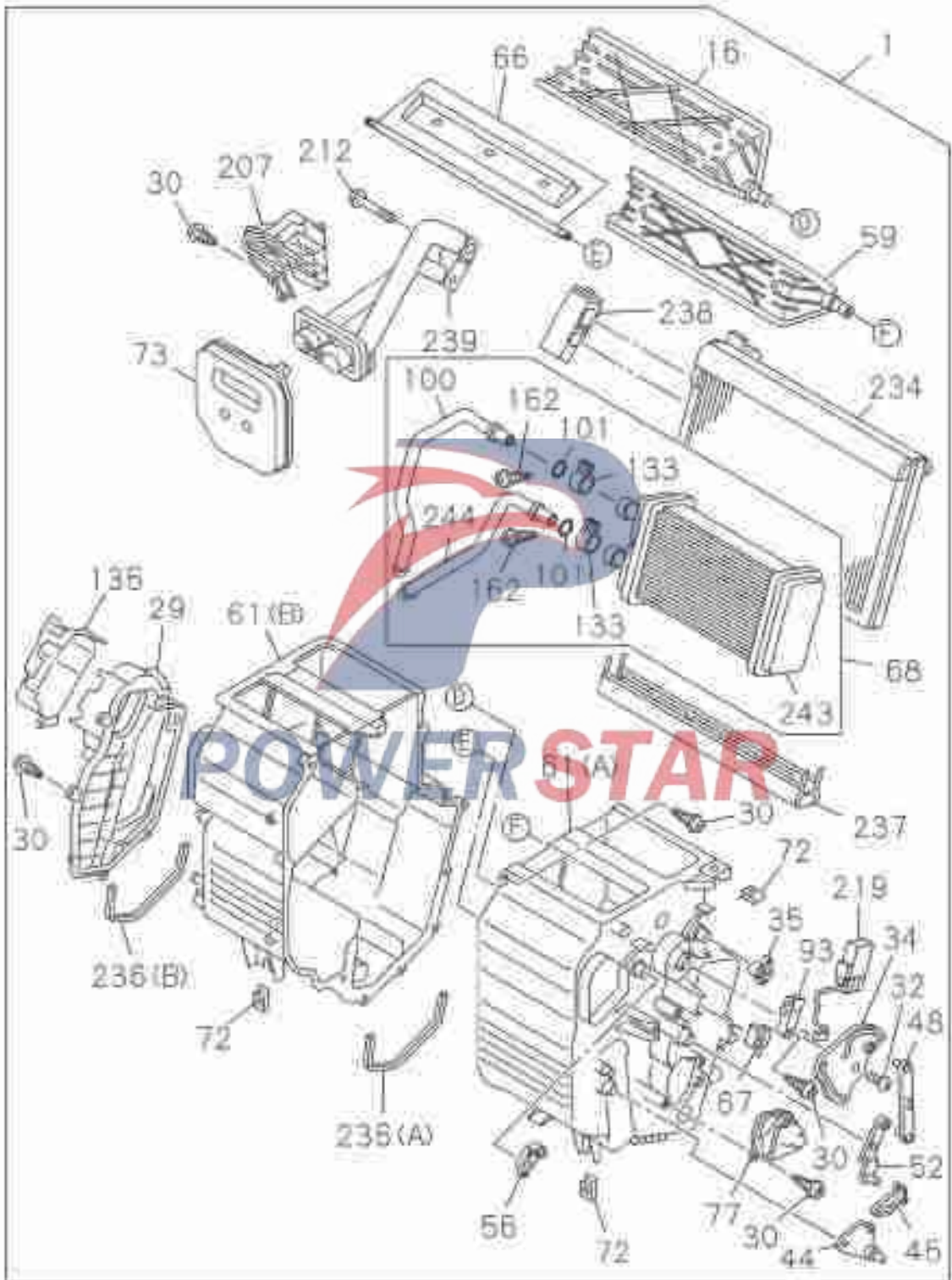


8-60

Front warm air blower assembly

Figure No.

Heater adjusting



Front warm air blower assembly

8-60

Figure No.

S/N	Recommended specification / name of part				
	Isuzu figure No.	QingLing figure No.	Left/Right	Qty.	Applicable models / applicable status / notes
					Single cab
1	---- Fan heater assembly				
	8-98031-740-2			01	A Heater and defrosting
	8-98034-145-2	8101010-P301		01	A Manual control A/C
16	---- Damper-middle-upper part of fan heater				
	8-98047-387-0			01	A
29	---- Side cover-fan heater				
	8-98047-480-0			01	A
30	---- Screw-fan heater				
	8-98047-418-0			28	A Heater and defrosting
	8-97957-708-0			27	A Manual control A/C M4*16
32	---- Screw-fan heater				
	8-98047-416-0			03	A M4*16
34	---- Damper arm-fan heater				
	8-98047-497-0			01	A
35	---- Damper arm-fan heater				
	8-98047-500-0			01	A

8-60

Front warm air blower assembly

Figure No.

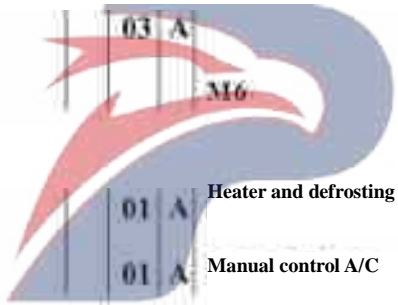
S/N	Recommended specification / name of part				
	Isuzu figure No.	QingLing figure No.	Left/Right	Qty.	Applicable models / applicable status / notes
					Single cab
44	----- Damper arm-fan heater				
	8-98047-502-0			01	A
45	----- Damper arm-fan heater				
	8-98047-503-0			01	A
48	----- Swivel arm				
	8-98047-499-0			01	A Heater and defrosting
	8-98047-391-0			01	A Manual control A/C
52	----- Swivel arm				
	8-98047-498-0			01	A
56	----- Drag arm				
	8-98047-501-0			01	A
59	----- Side air outlet				
	8-98047-386-0			01	A
61	----- Shell				
	8-98047-478-0			01	A (A)
	8-98047-479-0			01	A (B)
66	----- Damper-middle-lower part of fan heater				
	8-98047-385-0			01	A

Front warm air blower assembly

8-60

Figure No.

N/S	Recommended specification / name of part				
	Isuzu figure No.	QingLing figure No.	Left/Right	Qty.	Applicable models / applicable status / notes
					A
					Single cab
67	---- Clip				
	8-98047-417-0			02	A
68	---- Core				
	8-98047-494-0			01	A
72	---- Nut				
	8-98047-428-0			03	A
73	---- Baffle				
	8-98048-817-0			01	A
	8-98047-491-0			01	A
77	---- Cover-fan heater housing				
	8-98047-482-0			01	A
93	---- Baffle				
	8-98047-427-0			01	A
96	---- Filter screen				
	8-98048-815-0			01	A
100	---- Tube				
	8-98072-532-0			01	A
101	---- O-ring				
	8-98072-531-0			02	A



POWERSTAR

8-60

Front warm air blower assembly

Figure No.

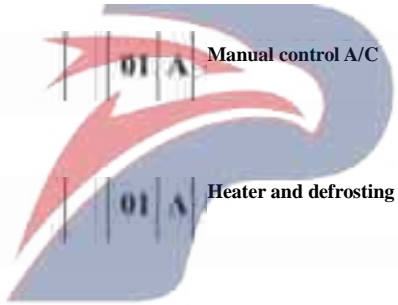
N/S	Recommended specification / name of part				
	Isuzu figure No.	QingLing figure No.	Left/Right	Qty.	Applicable models / applicable status / notes
					Single cab
133	Clip				
	8-98072-530-0			02	A
135	Cover				
	8-98047-481-0			01	A Manual control A/C
162	Screw				
	8-98072-529-0			02	A
207	Wire clip				
	8-98047-493-0			01	A
212	Bolt				
	8-98047-415-0			02	A Manual control A/C M15×60
219	Expansion control valve				
	8-98047-429-0			01	A Manual control A/C
234	Evaporator core assembly				
	8-98047-120-0			01	A Manual control A/C
236	Cushion				
	8-98047-420-0			01	A (A)
	8-98047-421-0			01	A (B)

Front warm air blower assembly

8-60

Figure No.

S/N	Recommended specification / name of part				
	Isuzu figure No.	QingLing figure No.	Left/Right	Qty.	Applicable models / applicable status / notes
					A
					Single cab
237	Base-evaporator core				
	8-98047-382-0			01	A Manual control A/C
238	Expansion valve				
	8-98047-383-0			01	A Manual control A/C
239	Tube assembly				
	8-98047-504-0			01	A Manual control A/C
242	Cushion				
	8-98048-816-0			01	A Heater and defrosting
243	Core				
	8-98048-508-0			01	A
244	Tube				
	8-98048-511-0			01	A

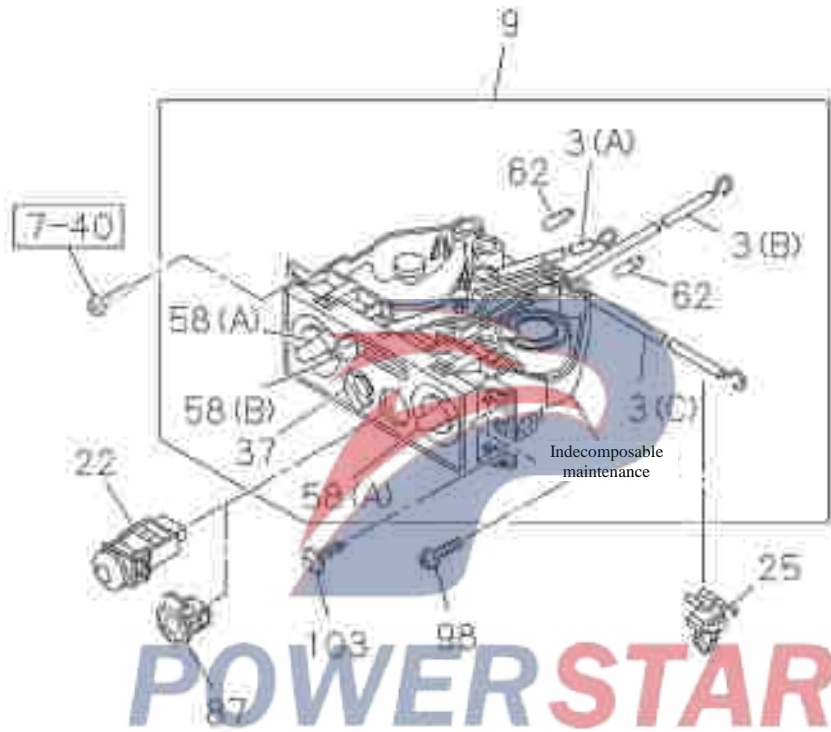


POWERSTAR

8-65

Heater and A/C lever

Figure No.



Heater and A/C lever

8-65

Figure No.

S/N	Recommended specification / name of part				
	Isuzu figure No.	QingLing figure No.	Left/Right	Qty.	Applicable models / applicable status / notes
					Single cab
3	--- Cable assembly				
	8-98039-254-1			01 A	(A)
	8-98039-255-1			01 A	(B)
	8-98039-256-1			01 A	(C)
9	--- Heater control mechanism				
	8-98067-881-1	8101530-P301		01 A	
22	--- Switch assembly				
	8-98021-982-0			01 A	Manual control A/C
25	--- Clip-cable assembly				
	8-94128-483-0	8402105-44		01 A	Inner diameter=4.8
37	--- Knob				
	8-98037-368-0			01 A	
58	--- Button				
	8-98037-369-0			02 A	(A)
	8-98037-370-0			01 A	(B)

8-65

Heater and A/C lever

Figure No.

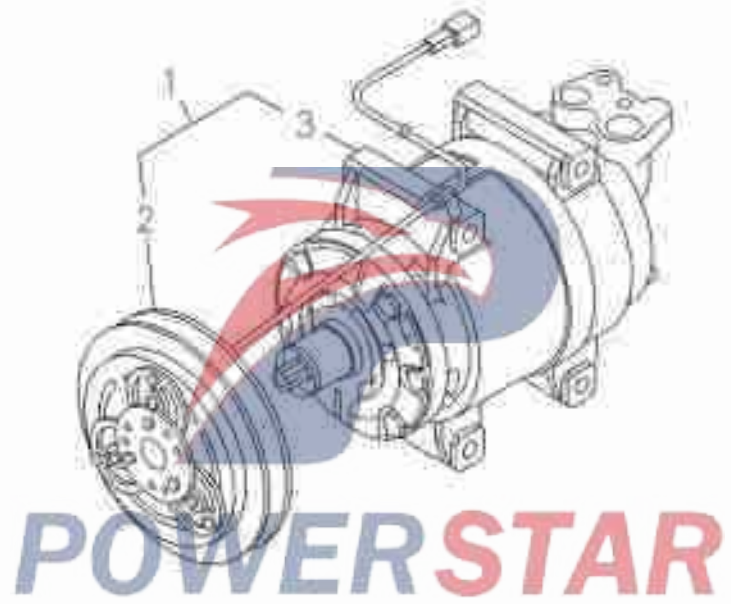
S/N	Recommended specification / name of part				
	Isuzu figure No.	QingLing figure No.	Left/Right	Qty.	Applicable models / applicable status / notes
					Single cab
62	--- Lamp bulb				
	8-98037-371-0			02	A
87	--- Plug cover-switch hole				
	8-98006-089-0			01	A Heater and defrosting
98	--- Screw-ventilation tube				
	0-72180-520-0			01	A M5×20
103	--- Clamp				
	8-97098-326-0	8101521-P301		01	A Dark grey

POWERSTAR

Compressor-A/C

8-71

Figure No.

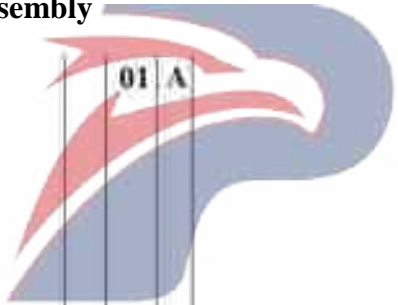


8-71

Compressor-A/C

Figure No.

N/S	Recommended specification / name of part				
	Isuzu figure No.	QingLing figure No.	Left/Right	Qty.	Applicable models / applicable status / notes
					A
1	--- Air-conditioning compressor assembly				
	8-98037-146-1	8100010-P301		01	A
2	--- Electromagnetic clutch-compressor				
	8-98042-535-1			01	A
3	--- Compressor assembly				
	8-98042-531-0			01	A

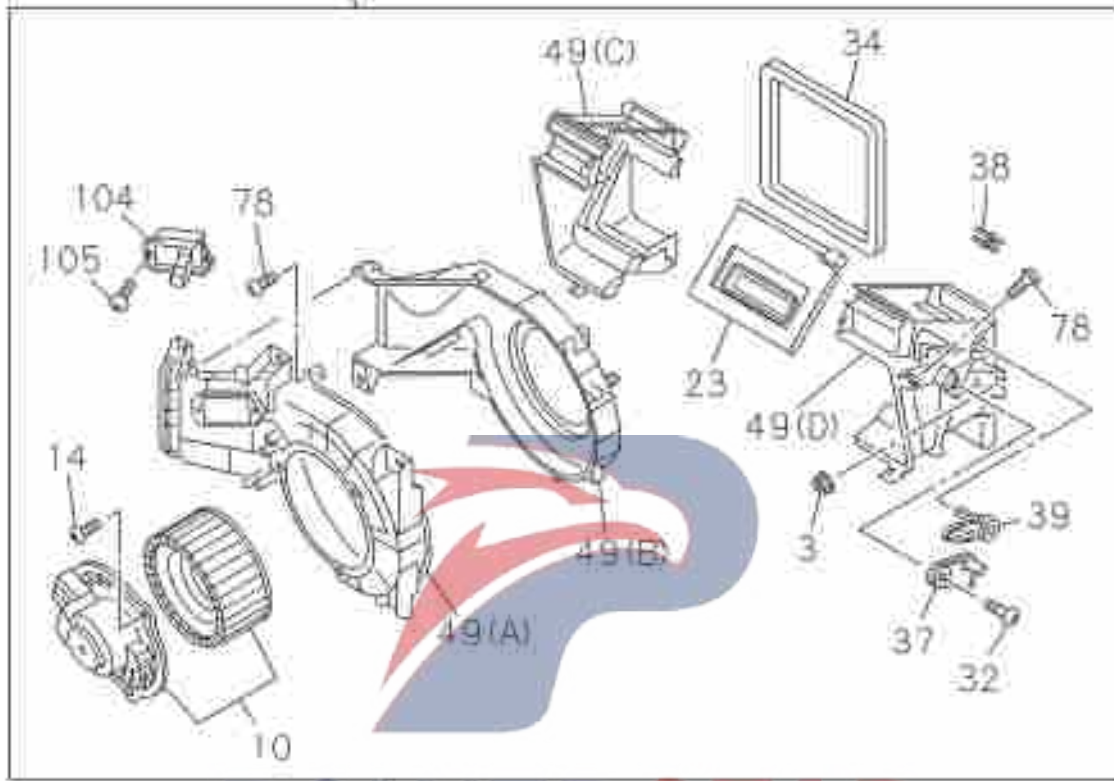


POWERSTAR

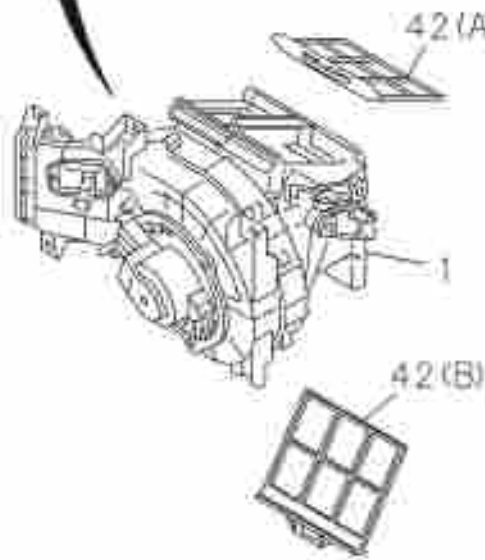
Blower assembly

8-73

Figure No.



POWERSTAR



8-73

Blower assembly

Figure No.

N/S	Recommended specification / name of part				
	Isuzu figure No.	QingLing figure No.	Left/Right	Qty.	Applicable models / applicable status / notes
					A
1	Blower assembly				
	8-98034-146-3	8101110-P301		01	A
3	Nut				
	1-83539-354-0			02	A M6
10	Motor-blower fan				
	8-98047-451-0			01	A
14	Screw-cover and housing				
	8-98047-448-0			03	A M5×16
23	Damper-blower				
	8-98047-761-0			01	A
32	Screw-rod				
	8-98047-416-0			01	A M4×16
34	Gasket-blower				
	8-98047-430-0			01	A
37	Control rod-working state				
	8-98047-453-0			01	A
38	Clip				
	8-98047-417			01	A

Blower assembly

8-73

Figure No.

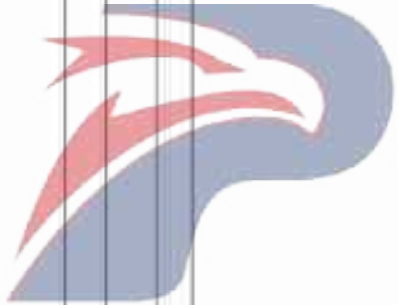
N/S	Recommended specification / name of part				
	Isuzu figure No.	QingLing figure No.	Left/Right	Qty.	Applicable models / applicable status / notes
					A Single cab
39	---- Control lever				
	8-98047-454-0			01	A
42	---- Air filter				
	8-97387-096-1	8101480-P301		01	A
					(A)
	8-98025-006-1	8101490-P301		01	A
					(B)
49	---- Housing-blower				
	8-98047-444-0			01	A
					(A)
	8-98047-445-0			01	A
					(B)
	8-98047-446-0			01	A
					(C)
	8-98047-447-0			01	A
					(D)
78	---- Screw-housing to housing				
	8-97957-708-0			15	A
					M4×16
104	---- Resistance - blower				
	8-98077-418-0			01	A

8-73

Blower assembly

Figure No.

N/S	Recommended specification / name of part				
	Isuzu figure No.	QingLing figure No.	Left/Right	Qty.	Applicable models / applicable status / notes
					A Single cab
105	--- Screw-resistance				
	8-97957-708-0			02	A M4×16

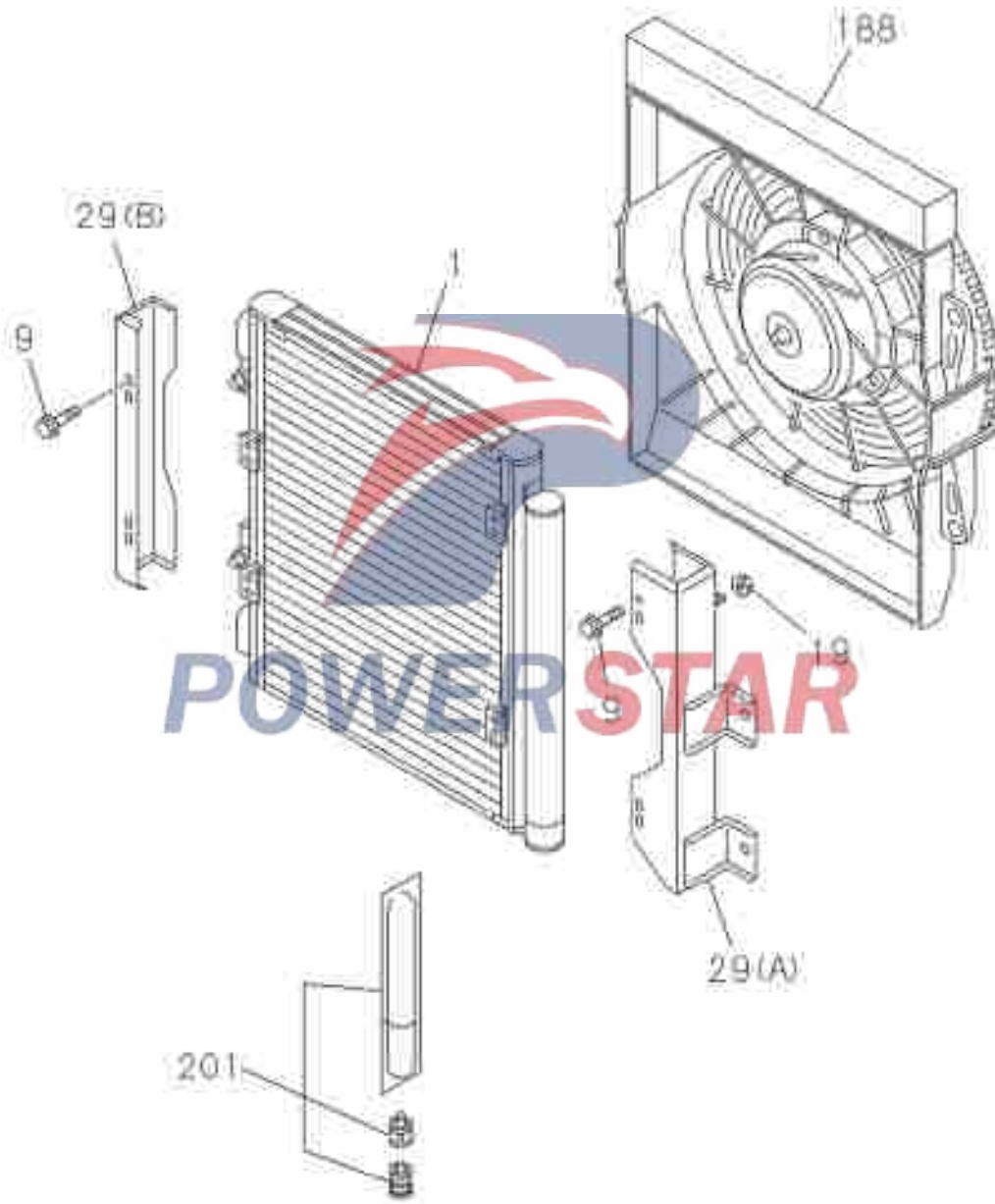


POWERSTAR

Condenser

8-75

Figure No.



8-75

Condenser

Figure No.

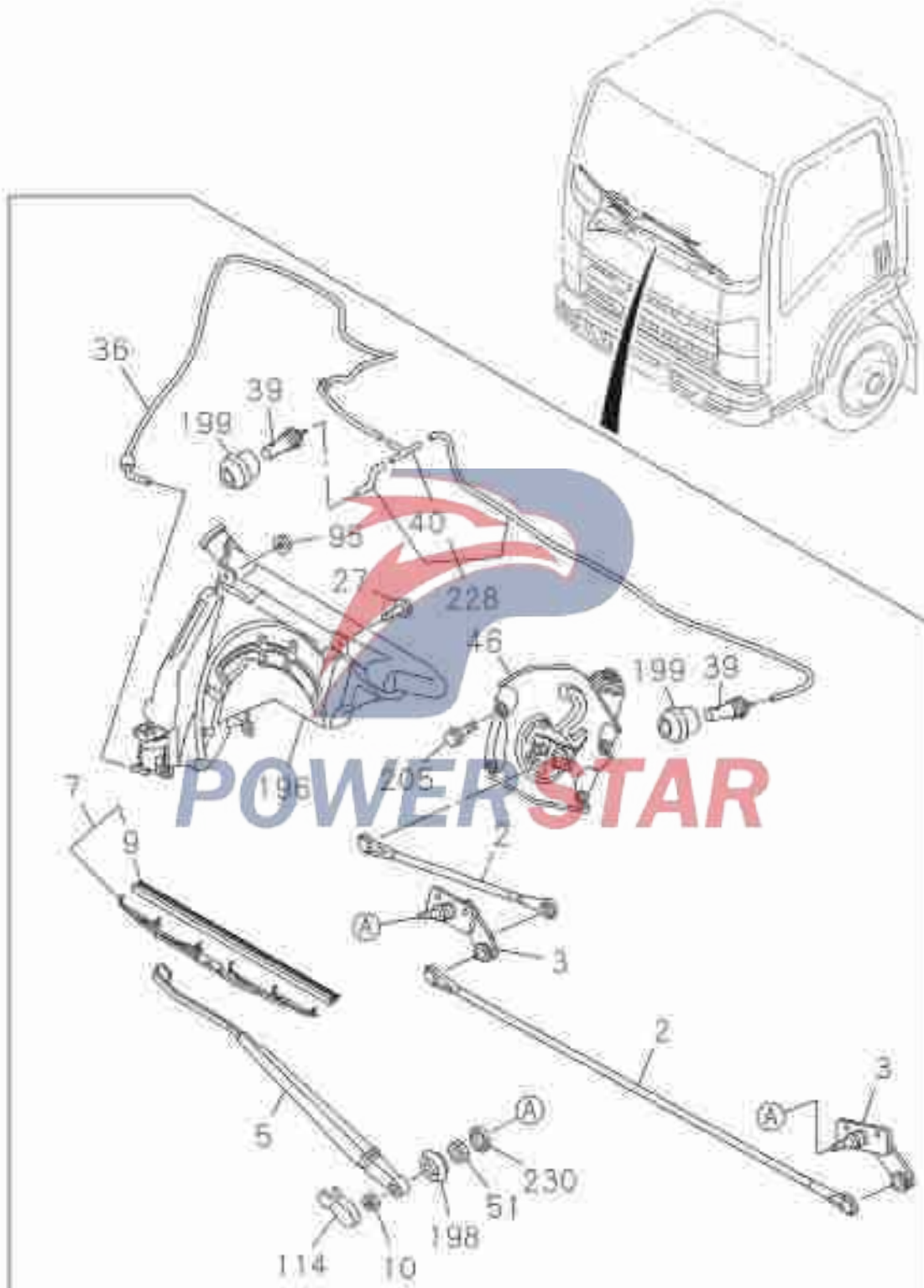
S/N	Recommended specification / name of part				
	Isuzu figure No.	QingLing figure No.	Left/Right	Qty.	Applicable models / applicable status / notes
					A Single cab
1	Condenser assembly				
	8-98025-520-0	8100610-P301		01	A Manual control A/C
9	Bolt				
	8-83539-382-0			08	A Manual control A/C M6×14
19	Nut				
	1-83539-354-0			04	A Manual control A/C M6
29	Bracket				
	8-98090-685-0			01	A Manual control A/C (A)
	8-98090-686-0			01	A Manual control A/C (B)
188	Fan assembly				
	8-98090-684-0			01	A
201	Drying bottle assembly				
	1-83535-097-0			01	A

Front wiper

Wiper electric and cleaning solution tank

8-80

Figure No.

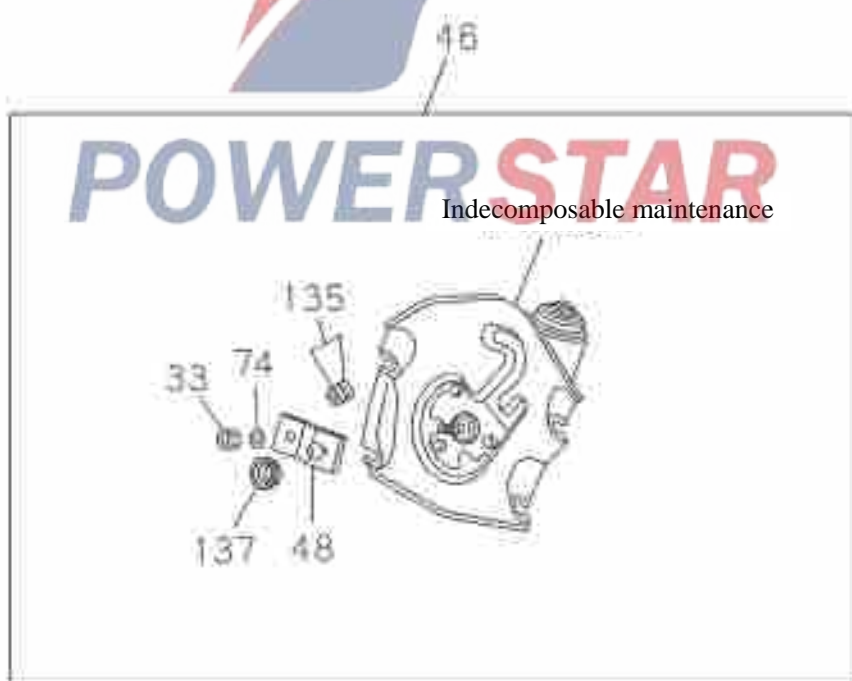
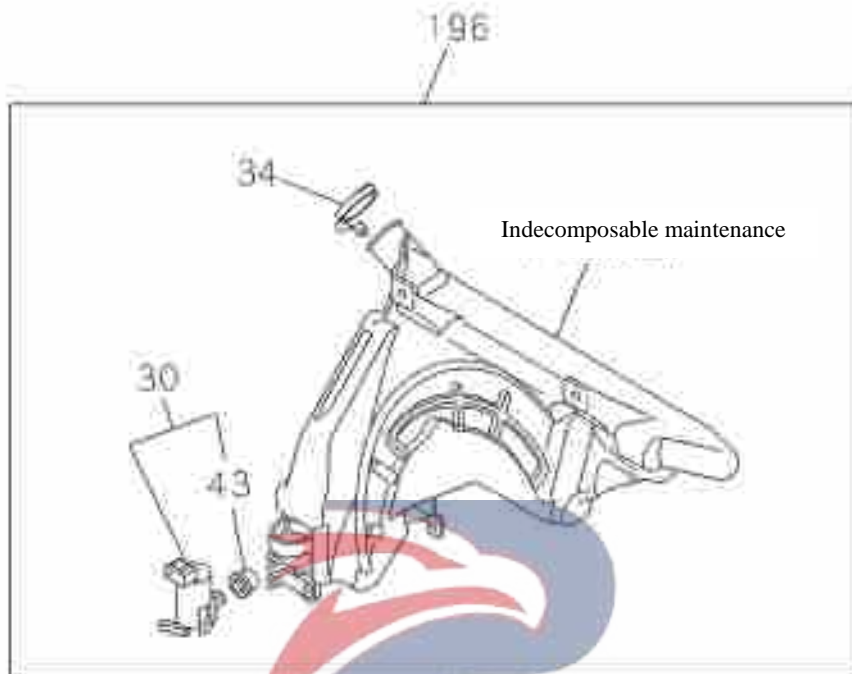


8-80

Front wiper

Figure No.

Wiper electric and cleaning solution tank



Front wiper

8-80

Figure No.

N/S	Recommended specification / name of part				
	Isuzu figure No.	QingLing figure No.	Left/Right	Qty.	Applicable models / applicable status / notes
					A
					Single cab
2	---- Connecting rod-front wiper				
	8-98053-766-0			01	A Length=350 Passenger side
	8-98053-771-0			01	A Length=340 Driver side
3	---- Pivot assembly-front wiper				
	8-98053-762-0			01	A Passenger side
	8-98053-764-0			01	A Driver side
5	---- Wiper arm				
	8-98053-780-0		Left	01	A Driver side
	8-98053-781-0		Right	01	A Passenger side
7	---- Wiper blade				
	8-98053-789-0			02	A
9	---- Rubber sheet-front wiper				
	8-98053-792-0			02	A
10	---- Nut-wiper motor and pivot				
	0-91110-508-0			02	A M8

8-80

Front wiper motor

Figure No.

Wiper and cleaning solution tank

S/N	Recommended specification / name of part				
	Isuzu figure No.	QingLing figure No.	Left/Right	Qty.	Applicable models / applicable status / notes
					A Single cab
27	--- Bolt-cleaning solution tank				
	8-94310-730-0			02	A M8×16
30	--- Motor assembly-front cleaning solution tank				
	8-97855-139-0			01	A
33	--- Nut				
	8-97855-157-0			01	A M8
34	--- Cover-cleaning solution tank				
	8-97855-140-0			01	A
36	--- Hose assembly				
	8-98029-172-2	5207030-P301		01	A
39	--- Nozzle assembly				
	8-98029-139-1			02	A
40	--- Joint				
	5-83363-033-0			01	A Tee
43	--- Rubber seal-cleaning solution tank				
	8-94352-050-0			01	A

Front wiper

8-80

Wiper and cleaning solution tank

Figure No.

S/N	Recommended specification / name of part				
	Isuzu figure No.	QingLing figure No.	Left/Right	Qty.	Applicable models / applicable status / notes
					Single cab
46	----Wiper motor assembly				
	8-98029-124-3			01	A
48	----Rocker arm-wiper motor				
	8-98052-215-0			01	A
51	----Nut-wiper motor				
	8-98029-167-0			02	A
74	----Nut-wiper arm motor				
	8-97855-158-0			01	A
					Outer diameter = 8
95	----Hexagon flange nut				
	0-91180-108-0	Q32008		01	A
					M18
114	----Cover-front wiper arm				
	8-94282-851-0			02	A
					Black
135	----Rubber sleeve				
	8-98052-214-0			04	A
137	----Washer-joint				
	8-98052-218-0			01	A
196	---- Cleaning solution tank and pump assembly				
	8-98029-136-1	5207010-P301		01	A

8-80

Front wiper motor

Figure No.

Wiper and cleaning solution tank

S/N	Recommended specification / name of part				
	Isuzu figure No.	QingLing figure No.	Left/Right	Qty.	Applicable models / applicable status / notes
					Single cab
198	---- Cover-wiper connecting rod				
	8-98029-164-0			02	A
199	---- Nozzle nut				
	8-98079-030-0			02	A
205	---- Bolt				
	8-98018-440-0			04	A
228	---- Hose assembly				
	8-98029-168-1	5207020-P301		01	A
230	---- Rubber ring				
	8-98029-097-0			02	A



POWERSTAR

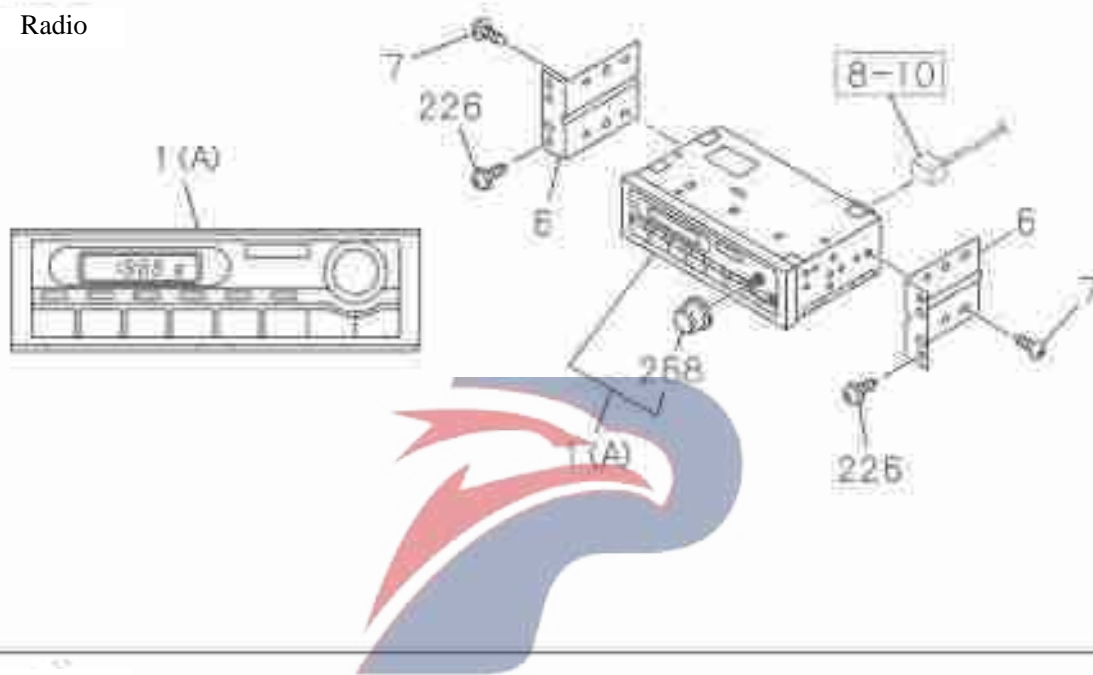
Radio and TV

8-90

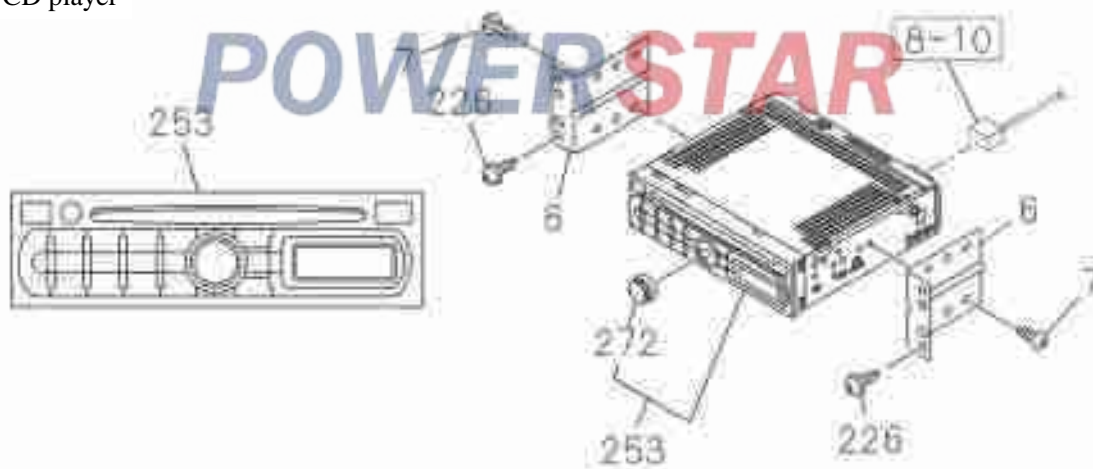
Radio and CD player

Figure No.

Radio



CD player

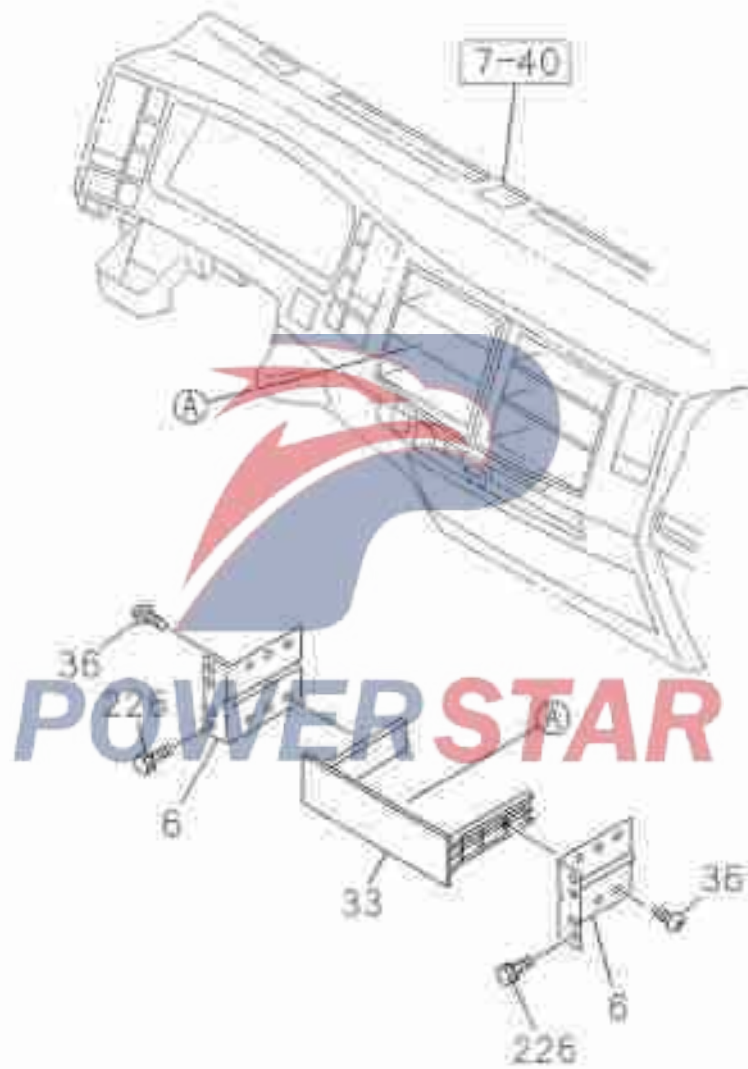


8-90

Radio and TV

Figure No.

Decorative cover

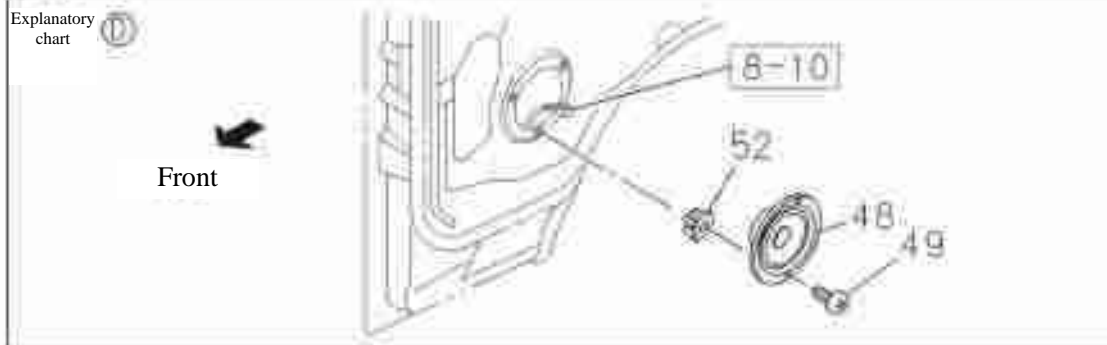
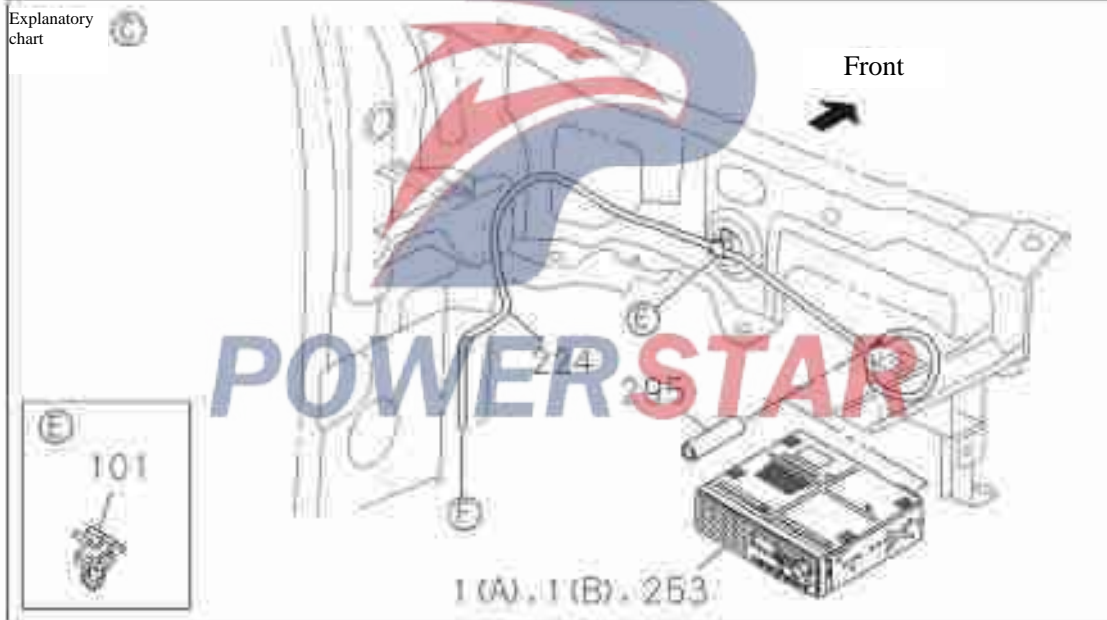
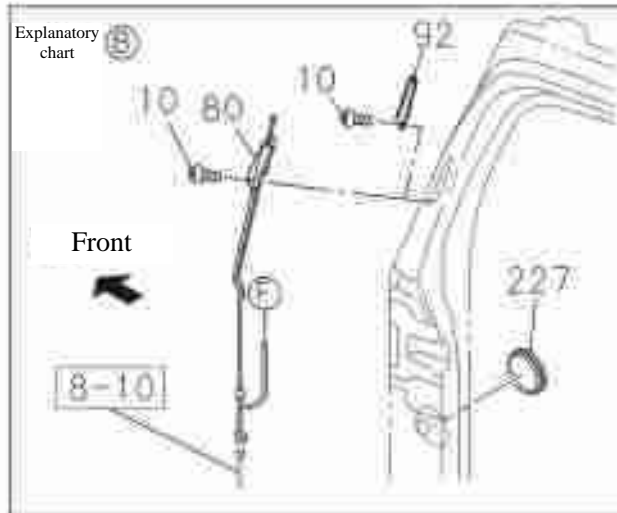


Radio and TV

8-90

Receiver antenna and speaker

Figure No.



8-90		Radio and TV				
Figure No.		Radio and CD player				
S/N	Recommended specification / name of part					
	Isuzu figure No.	QingLing figure No.	Left/Right	Qty.	Applicable models / applicable status / notes	
					A Single cab	
1	Receiver assembly					
	8-98032-643-0	7900010-P301		01	A (A)	
6	Bracket					
	8-97585-617-0	3725311-P301		02	A	
7	Screw					
	8-98063-767-0			04	A M5×7	
10	Screw					
	8-98061-742-0	Q2140516		02	A M5×11	
33	Plug cover-receiver hole					
	8-97047-896-1			01	A Black	
36	Screw					
	8-98058-632-0			02	A M5×10	
48	Horn assembly-receiver					
	8-97317-001-0	7900060-P301		02	A	
49	Tapping screw with cross recessed large semicircular head					
	8-04279-325-0	Q2734B13A		06	A M5×14	

Radio and TV

8-90

Radio and CD player

Figure No.

S/N	Recommended specification / name of part				
	Isuzu figure No.	QingLing figure No.	Left/Right	Qty.	Applicable models / applicable status / notes
					A Single cab
52	Washer nut				
	8-94279-078-0	5107223-801		06	A Outer diameter=8×8 Length = 7.5 M5
80	Antenna assembly-receiver				
	8-97387-265-2	7900030-P301		01	A
92	Gasket-antenna				
	8-98032-188-0			01	A
101	Clip-cable assembly				
	8-94128-483-0	8202105-44		01	A Inner diameter=4.8
224	Cable				
	8-98029-970-1			01	A
226	Screw-ventilation tube				
	0-72180-520-0			02	A M5×20
227	Protection cushion-receiver				
	8-98053-117-0			01	A
253	CD player				
	8-98017-752-0			01	A Optional
268	Knob-receiver				
	8-7375-820-0			01	A

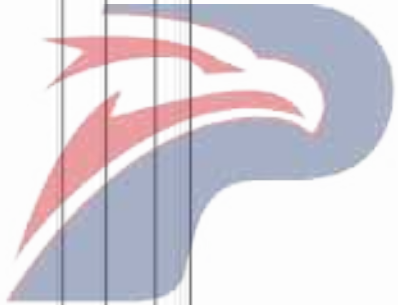
8-90

Radio and TV

Figure No.

Radio and CD player

N/S	Recommended specification / name of part				
	Isuzu figure No.	QingLing figure No.	Left/Right	Qty.	Applicable models / applicable status / notes
					Single cab
272	---- Knob-CD player				
	8-98048-329-0			01	A Optional
295	---- Insulating bar-receiver				
	8-98095-617-0			01	A



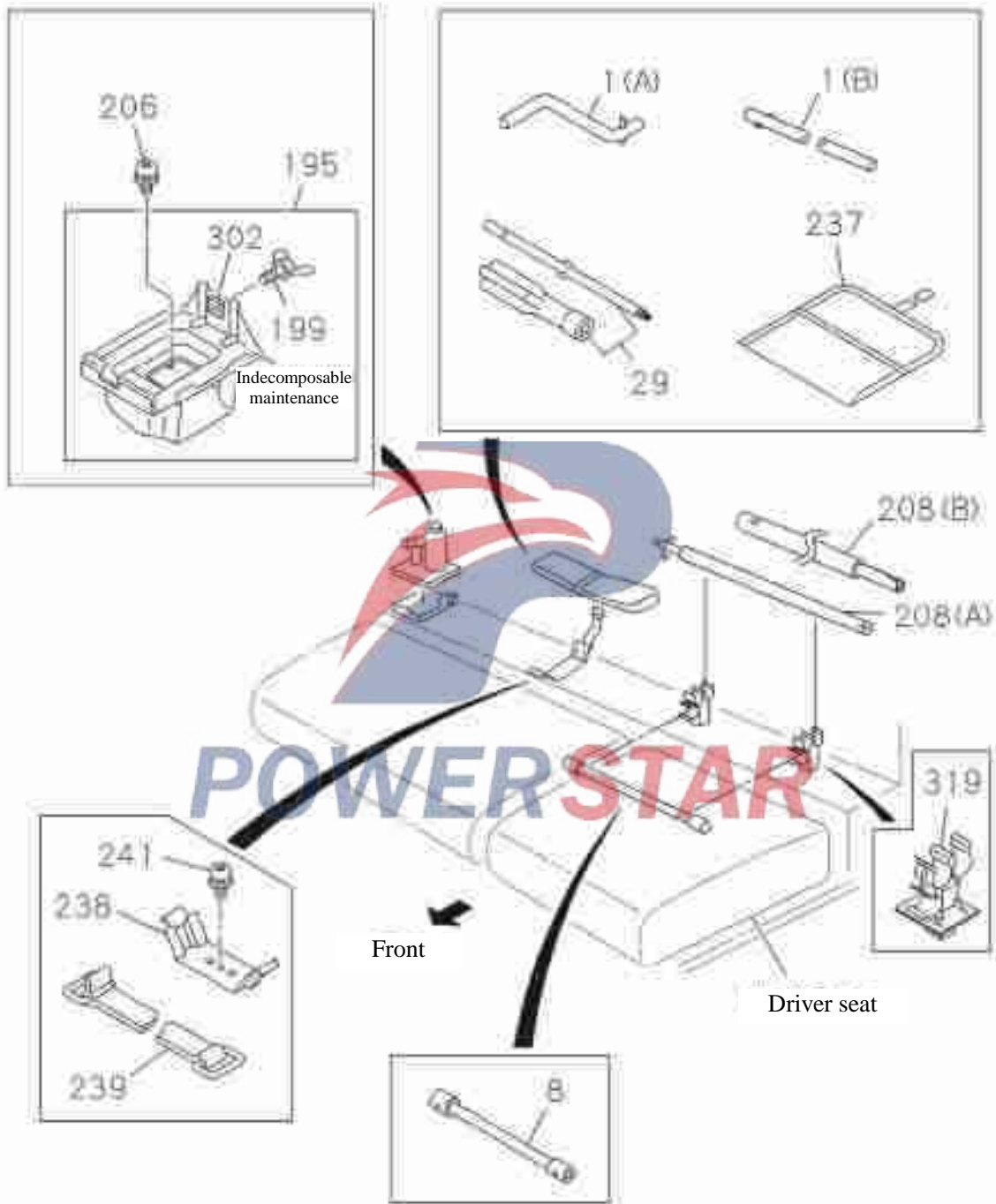
POWERSTAR

9-01

Driver's tool

Figure No.

Driver's tool



Driver's tool

9-01

Figure No.

S/N	Recommended specification / name of part				
	Isuzu figure No.	QingLing figure No.	Left/Right	Qty.	Applicable models / applicable status / notes
					Single cab
1	----- Extension bar - jacks and Wheel straight rod				
	1-85515-007-0	3105310-P301		01	A Straight frame type (B)
	8-97218-985-0	3900320-10		01	A Spare wheel up-down regulator rocker assembly Straight frame type (A)
8	----- Wheel nut wrench				
	1-85113-015-1	3900091-P301		01	A Straight frame type 41×21 Length=440
29	----- “Cross” “linear combined screwdriver				
	8-94242-798-1	3900140-10		01	A Straight frame type Length=160
195	----- Bracket assembly-jacks				
	8-98033-737-1	3900290-P301		01	A
199	----- Bolt				
	8-98005-537-0	3900293-P301		01	A M18×50
206	----- Hexagon flange bolt				
	0-28650-825-0	Q1840825		01	A M18×25

9-01

Driver's tool

Figure No.

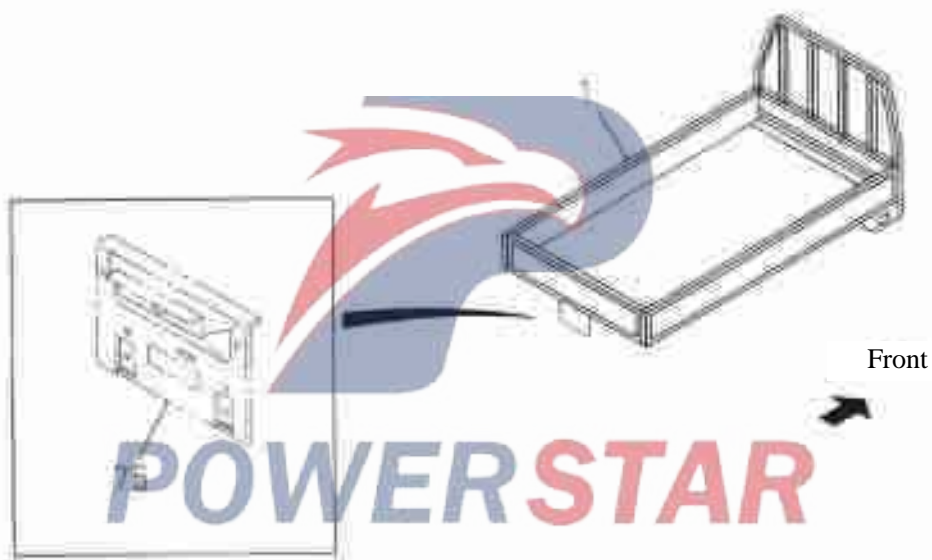
Driver's tool

N/S	Recommended specification / name of part				
	Isuzu figure No.	QingLing figure No.	Left/Right	Qty.	Applicable models / applicable status / notes
					Single cab
208	---- Jacks and Wheel straight rod				
	1-85515-005-1	3900061-P301		01	A Straight frame type (B) Length=580
	8-97217-800-0	3900310-10		01	A Jack rocker assembly Straight frame type (A) Length=642
237	---- Tool bag assembly				
	8-97130-903-0	3900061-P301		01	A Straight frame type
238	---- Bracket - tool bag				
	8-97904-977-0	8200201-803		01	A POWERSTAR
239	---- Fixed Bags - tool bag				
	5-73997-026-1	3900211-P301		01	A Length=100
241	---- Self-tapping screw				
	0-38050-616-0	Q2360620		01	A M6×16
302	---- Nut				
	8-98021-556-0	3900292-P301		01	A
319	---- Fixation clamp assembly- rocker				
	8-97853-077-2	8200170-803		02	A

Container assembly and connection pieces

9-30

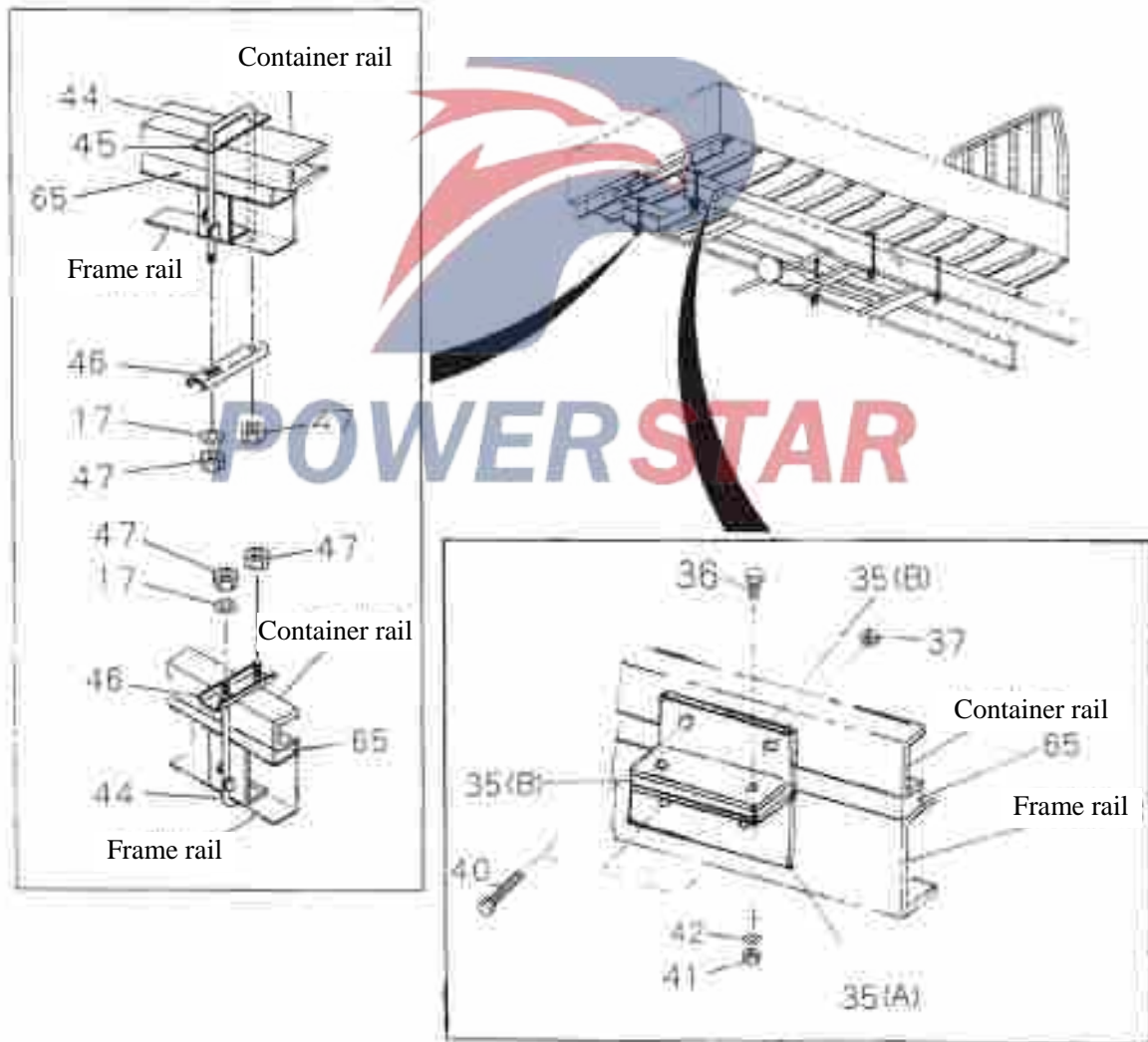
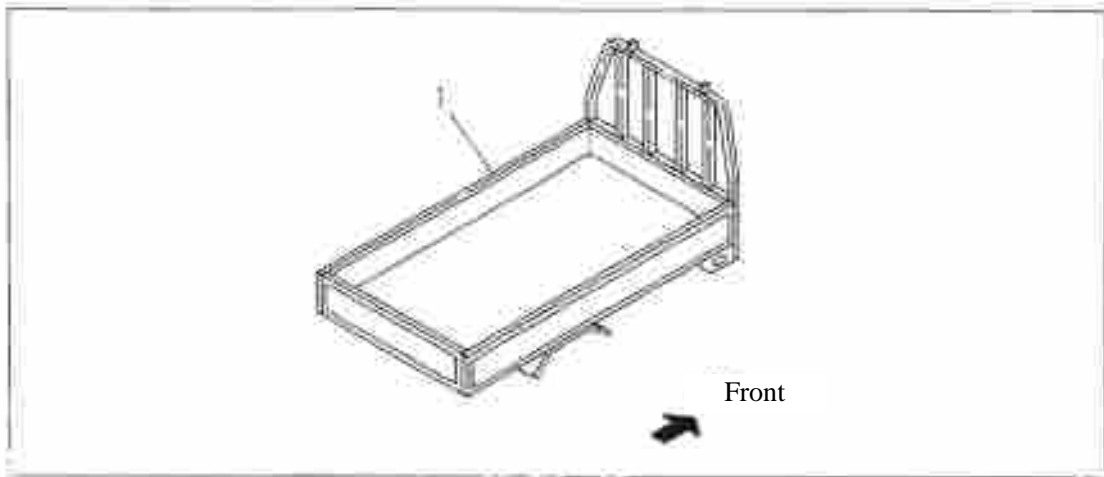
Figure No.



9-30

Container assembly and connection pieces

Figure No.



Container assembly and connection pieces

9-30

Figure No.

N/S	Recommended specification / name				Applicable models / applicable status / notes	
	Isuzu figure No.	QingLing figure No.	Left/Right	Qty.	A	Wheelbas 3815mm
					B	Wheelbas 4175mm
					C	Wheelbas 4475mm
					D	Wheelbas 5200mm
1	--- Box assembly					
	8500010-P301		01		C	
	8500010-P303		01		B	
	8500010-P304		01		A	
17	--- Flat washer					
	Q40112		24		ABC	Inner diameter=12
35	--- Limited plate-container and car frame					
	8500013-P301		12		ABC	(A)
	8500014-P301		06		ABC	Rubber pad-limit plate (B)
36	--- Hexagon head bolt					
	Q150B1030		12		ABC	M10×30
37	--- All-metal hexagon lock nut, type I-limit plate and car frame					
	Q33410		24		ABC	M10

9-30

Container assembly and connection pieces

Figure No.

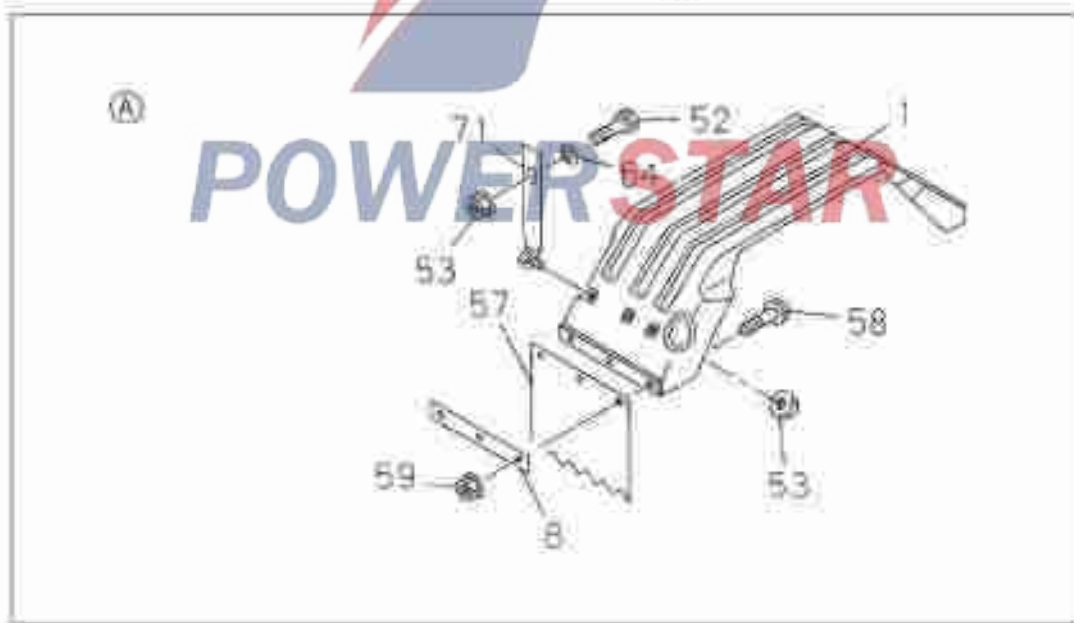
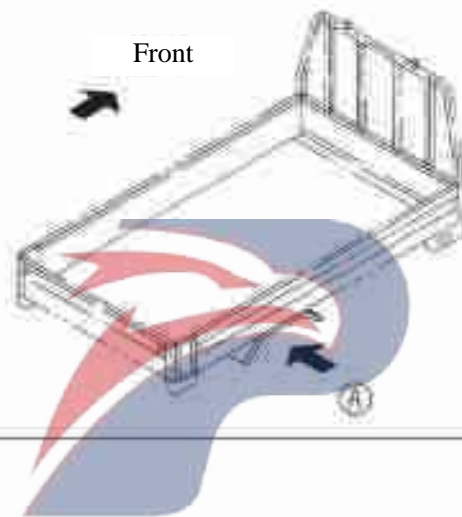
S/N	Recommended specification / name				Applicable models / applicable status / notes	
	Isuzu figure No.	QingLing figure No.	Left/Right	Qty.	A	B
					Wheelbase 3813mm	
					Wheelbase 4175mm	
					Wheelbase 4475mm	
					Wheelbase 5200mm	
40	Hexagon head bolt-limit plate and car frame					
		Q150B1025		24	ABC	M10×25
41	Hexagon flange nut					
	9-09130-408-0	Q32010		12		M10
42	Big washer - limit plate and container					
	9-09164-708-0	Q40210		12	ABC	Inner diameter=10
44	U-bolt-Container and frame					
	8500016-P301			04	ABC	Front
	8500017-P301			04	ABC	Rear
45	Base plate-U-bolt					
		8500018-P301		08	ABC	
46	Pressure plate-U-bolt					
		8500019-P301		08	ABC	
47	All-metal hexagon lock nut, type I-U-bolt					
		Q33412		24	ABC	M12

9-31

Container floor and protection pieces

Figure No.

Iron-wooden container

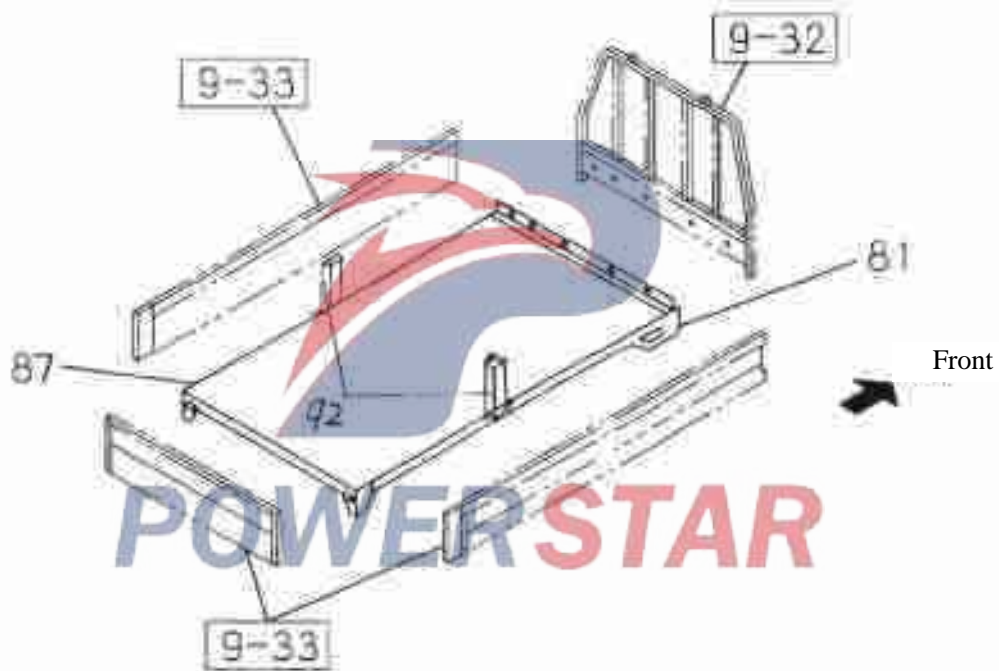


Container floor and protection pieces

Iron-wooden container

9-31

Figure No.



9-31

Container floor and protection pieces

Figure No.

N/S	Recommended specification / name				Applicable models / applicable status / notes	
	Isuzu figure No.	QingLing figure No.	Left/Right	Qty.	A	Wheelbase 3815mm
					B	Wheelbase 4125mm
					C	Wheelbase 4475mm
					D	Wheelbase 5200mm
1	--- Rear wheel cover assembly					
	8500030-P301		Left	01	ABC	
	8500040-P301		Right	01	ABC	
3	--- Hexagon head bolt					
	Q150B0820			08	ABCD	M8 × 20
8	--- Layering-fender					
	8500036-P301			02	ABC	
50	--- Metal hexagon lock nut, type I					
	Q33408			08	ABC	M8
52	--- Hexagon head bolt					
	0-50040-860-0	Q150860		08	ABC	M8 × 60
53	--- Metal hexagon lock nut, type I					
	Q33408			16	ABC	M8
57	--- Fender-rear wheel					
	8500038-P301			02	ABC	
58	--- Hexagon head bolt					
	Q150B0616			08	ABC	M6 × 16

Container floor and protection pieces

9-31

Figure No.

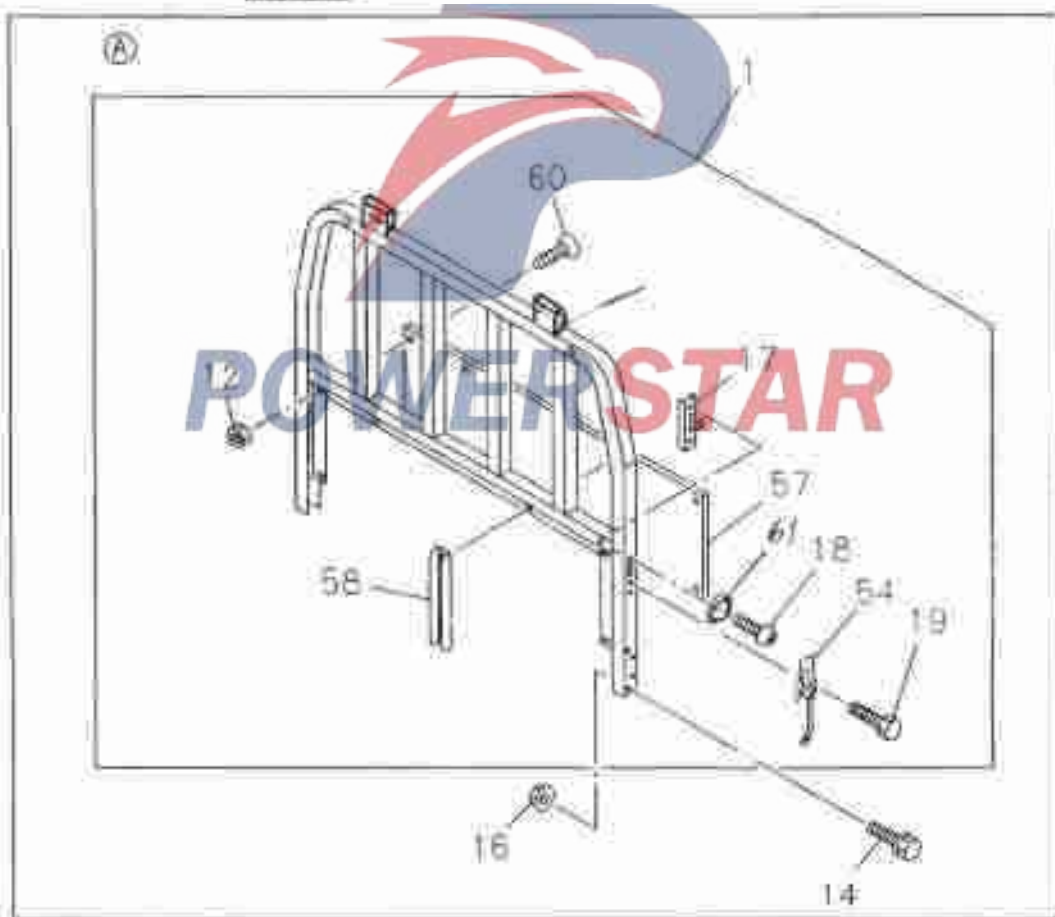
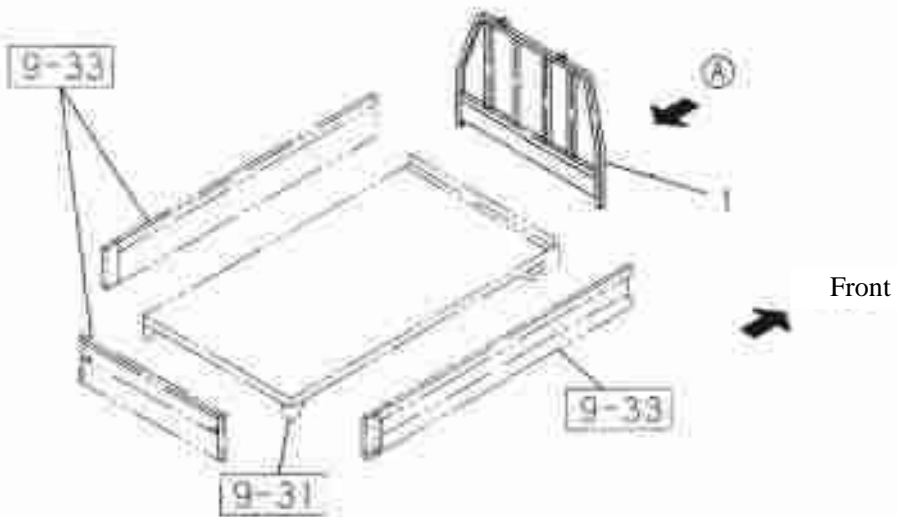
N/S	Recommended specification / name				Applicable models / applicable status / notes	
	Isuzu figure No.	QingLing figure No.	Left/Right	Qty.	A	Notes
					B	C
					Wheelbase 3815mm	
					Wheelbase 4175mm	
					Wheelbase 4475mm	
					Wheelbase 5200mm	
59	----- Metal hexagon lock nut, type I					
	8-97065-431-0	Q33406		08	ABC	M6
64	----- Flat washer					
		Q40308		08	ABC	Inner diameter=8
71	----- Strut -wheel cover					
		8500037-P301		08	ABC	
81	----- Floor assembly					
		8501000-P304		01	A	
		8501000-P301		01	C	
		8501000-P303		01	B	
87	----- Floor					
		8501030-P304		01	A	Floor assembly
		8501030-P301		01	C	Floor assembly
		8501030-P303		01	B	Floor assembly
92	----- B-pillar assembly					
		8503110-P301		02	C	

9-32

Fender bracket of container

Figure No.

Iron-wooden container



Fender bracket of container

9-32

Figure No.

N/S	Recommended specification / name				
	Isuzu figure No.	QingLing figure No.	Left/Right	Qty.	Applicable models / applicable status / notes
					A B C D
					Wheelbase 3815mm Wheelbase 4175mm Wheelbase 4475mm Wheelbase 5200mm
1	Front plate assembly				
	8504010-P301			01	ABC
12	Nut-front plate and fender bracket				
	Q351B08			10	ABC
14	Hexagon flange bolt				
	Q150B1225			12	ABC
16	Hexagon flange nut				
	Q33412			12	ABC
17	Front hook				
	8505017-P301		Left	01	ABC
	8505018-P301		Right	01	ABC
18	Cross recessed countersunk head screw				
	Q2540820			02	ABC
19	Hexagon head bolt				
	Q150B0825			04	ABC

9-32

Fender bracket of container

Figure No.

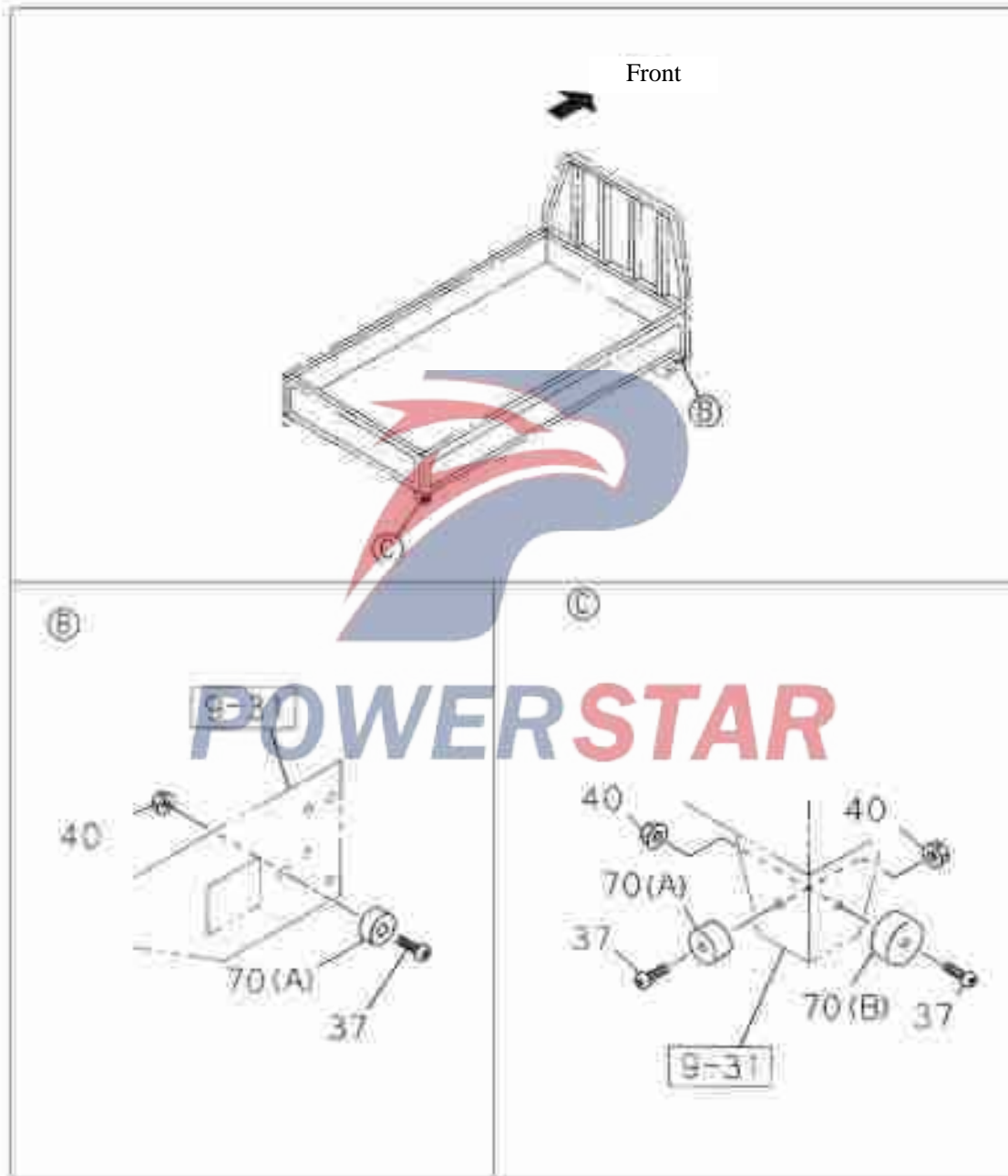
N/S	Recommended specification / name				Applicable models / applicable status / notes	
	Isuzu figure No.	QingLing figure No.	Left/Right	Qty.	A	Wheelbase
					B	Wheelbase
					C	Wheelbase
					D	Wheelbase
54	---- Side plate front plate assembly					
	8505010-15		02	ABC		
57	---- Inner plate-front plate					
	8504016-P301		01	ABC		
58	---- Pillar- fender bracket					
	8504014-P301		05	ABC		
60	---- Screw - front plate					
	Q2540830		10	ABC		M8×30
61	---- Conical teeth serrated lock washer					
	Q41408		02	ABC		

Container rear board and side board

9-33

Iron-wooden container

Figure No.

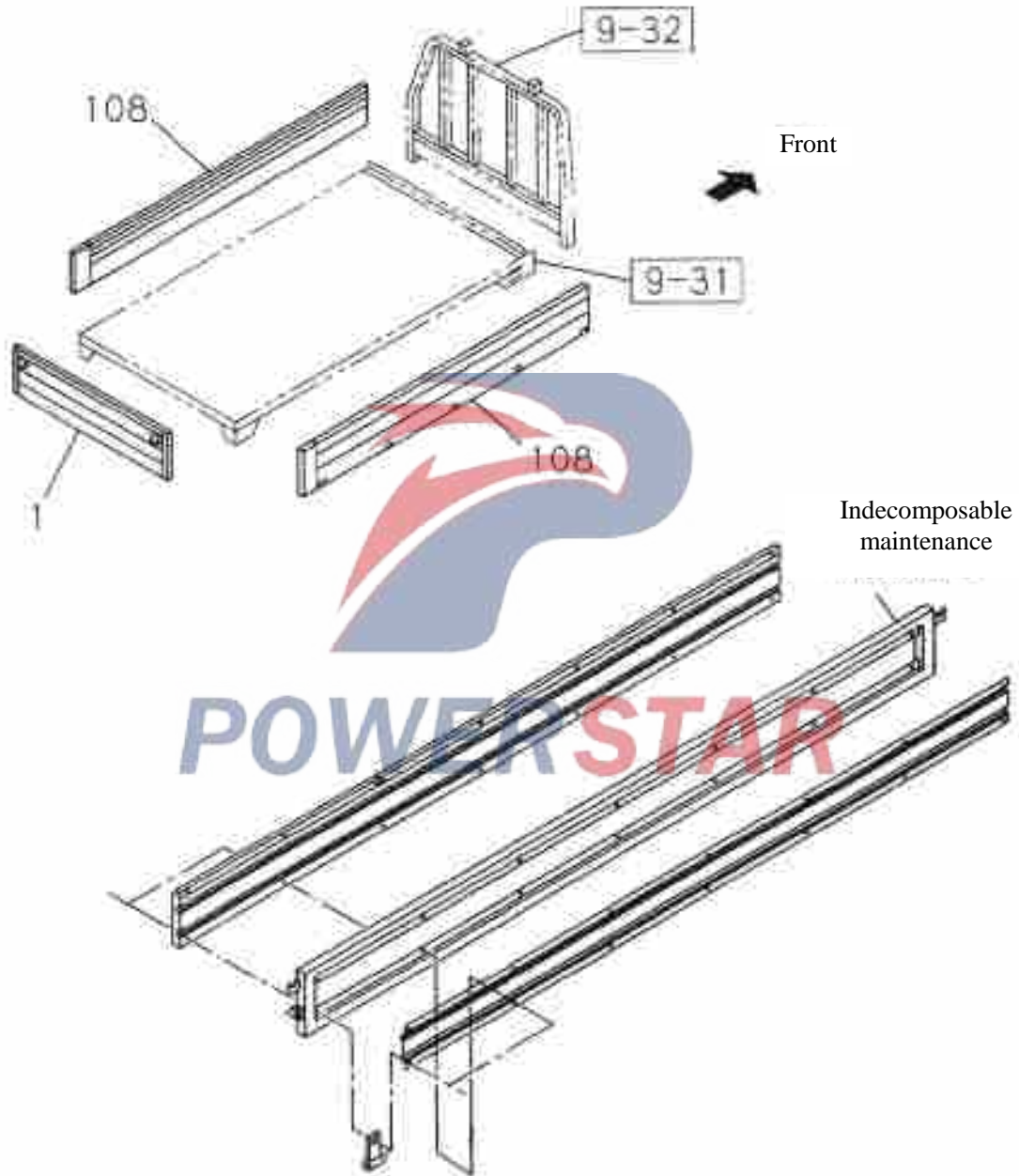


9-33

Container rear board and side board

Figure No.

Iron-wooden container

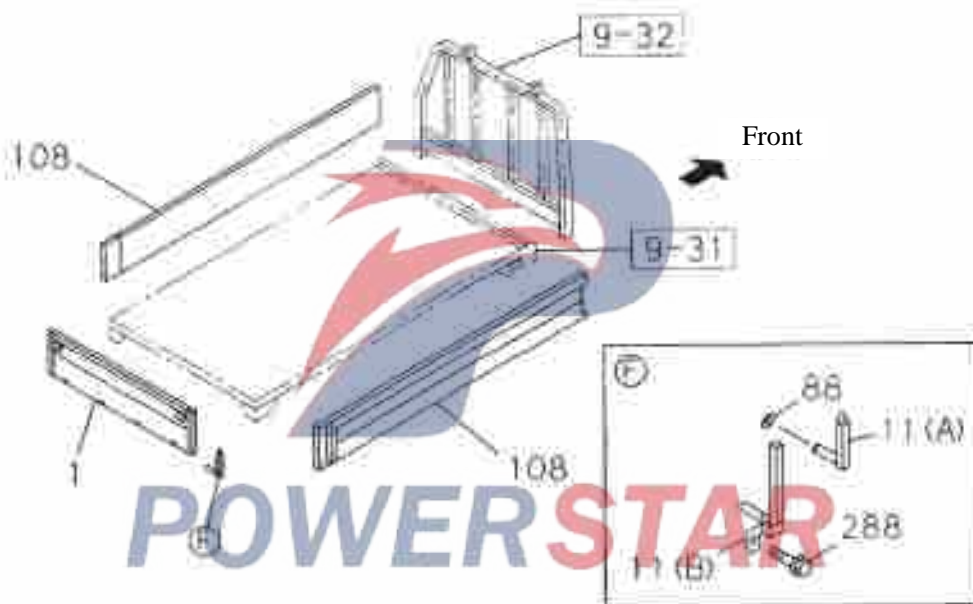


Container rear board and side board

Iron-wooden container

9-33

Figure No.



9-33

Container rear board and side board

Figure No.

N/S	Recommended specification / name				Applicable models / applicable status / notes	
	Isuzu figure No.	QingLing figure No.	Left/Right	Qty.	A	B
					Wheelbase 3815mm	
					Wheelbase 4175mm	
					Wheelbase 4475mm	
					Wheelbase 6200mm	
1	--- Rear plate assembly					
	8503010-P301			01	ABC	
11	--- Side plate Rear plate assembly					
	8505050-15		Left	01	ABC	(A)
	8505060-15		Right	01	ABC	(B)
37	--- Cross recess pan head screw					
	8-94197-156-0	Q2140630		08	ABC	M6×30
40	--- Metal hexagon lock nut, type I					
		Q33406		08	ABC	M6
70	--- Buffer block					
	8500011-15			04	AB	Front (A)
	8500011-15			08	C	(A)
	8500012-15			02	ABC	Rear (C)
88	--- Split washer					
		Q436150F3		02	ABC	

Container rear board and side board

9-33

Figure No.

N/S	Recommended specification / name				Applicable models / applicable status / notes	
	Isuzu figure No.	QingLing figure No.	Left/Right	Qty.	A	
					Wheelbase	3815mm
					B	Wheelbase 4175mm
					C	Wheelbase 4475mm
					D	Wheelbase 6200mm
108	Side board assembly					
	8502010-P301		Left	01	C	Front
	8502020-P301		Right	01	C	Front
	8502010-P303		Left	01	B	Front
	8502020-P303		Right	01	B	Front
	8502010-P304		Left	01	A	Front
	8502020-P304		Right	01	A	Front
	8502110-P301		Left	01	C	Rear
	8502220-P301		Right	01	C	Rear
288	Hexagon flange bolt					
	Q150B0825			02	ABC	M8×25